



US00D459793S

(12) **United States Design Patent**  
**Singtoroj**

(10) **Patent No.:** **US D459,793 S**

(45) **Date of Patent:** **\*\* Jul. 2, 2002**

(54) **LEVER HANDLE**

(75) Inventor: **Yos Singtoroj**, Anaheim, CA (US)

(73) Assignee: **Emhart LLC**, Newark, DE (US)

(\*\*) Term: **14 Years**

(21) Appl. No.: **29/152,094**

(22) Filed: **Dec. 14, 2001**

(51) **LOC (7) Cl.** ..... **23-01**

(52) **U.S. Cl.** ..... **D23/252**

(58) **Field of Search** ..... D23/238-245,  
D23/249-257; D8/300-310, 350-354; 4/675-678;  
16/110 R-121; 137/801

(56) **References Cited**

**U.S. PATENT DOCUMENTS**

D84,462 S	*	6/1931	Clemmons	.....	D23/252
D265,234 S	*	6/1982	Rovnik	.....	D23/252
D339,190 S	*	9/1993	Pieramico et al.	.....	D23/252
D428,118 S	*	7/2000	McKeone	.....	D23/252

\* cited by examiner

*Primary Examiner*—Louis S. Zarfaz

*Assistant Examiner*—Gregory Andoll

(74) *Attorney, Agent, or Firm*—Richard J. Veltman; John D. Del Ponti

(57) **CLAIM**

The ornamental design for a lever handle, as shown and described.

**DESCRIPTION**

FIG. 1 is a perspective view of the new design for a lever handle;

FIG. 2 is a right elevational view of the new design for a lever handle, the left elevational view being a mirror image;

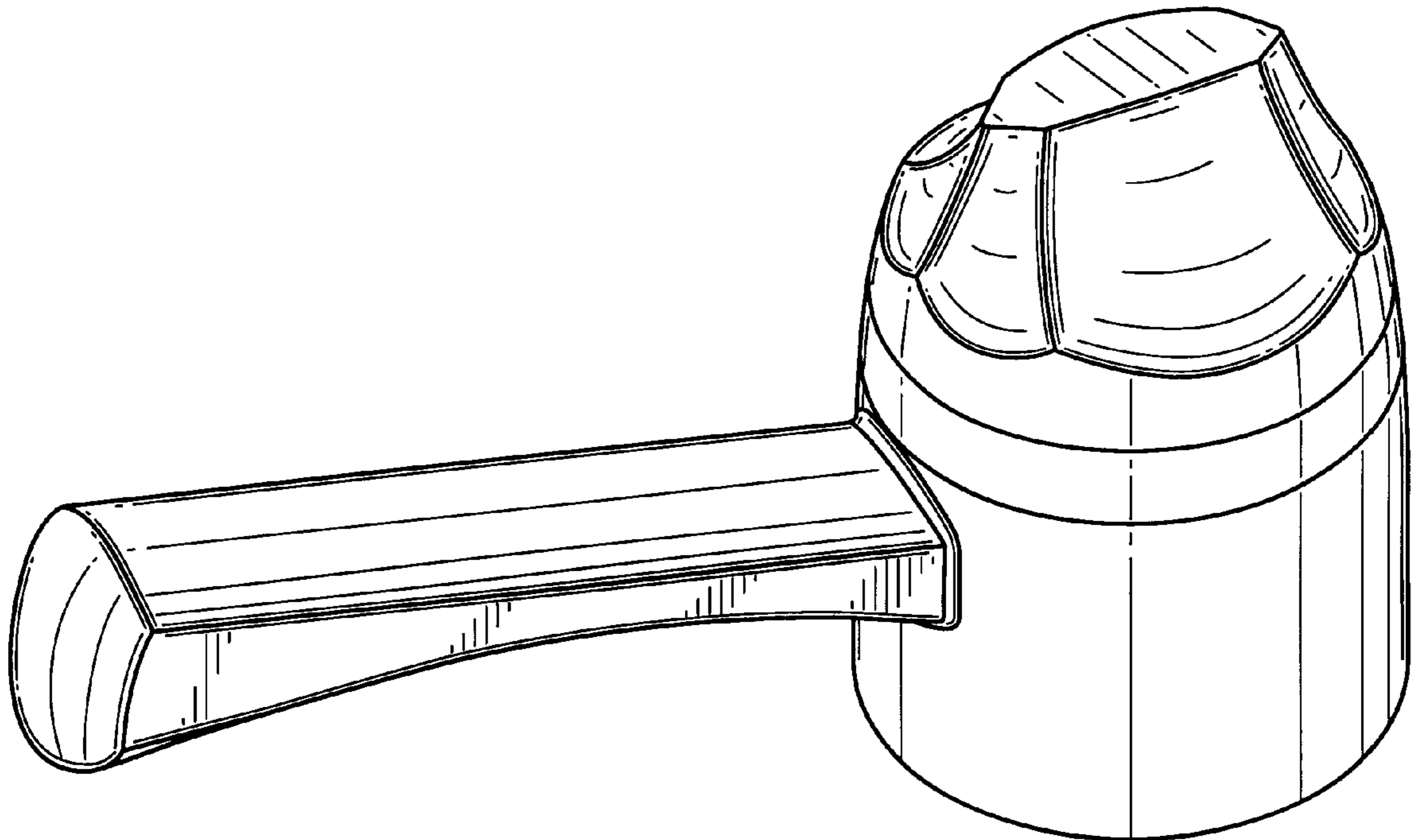
FIG. 3 is a top plan view of the new design for a lever handle;

FIG. 4 is a bottom plan view of the new design for a lever handle;

FIG. 5 is a front elevational view of the new design for a lever handle; and,

FIG. 6 is a rear elevational view of the new design for a lever handle.

**1 Claim, 5 Drawing Sheets**



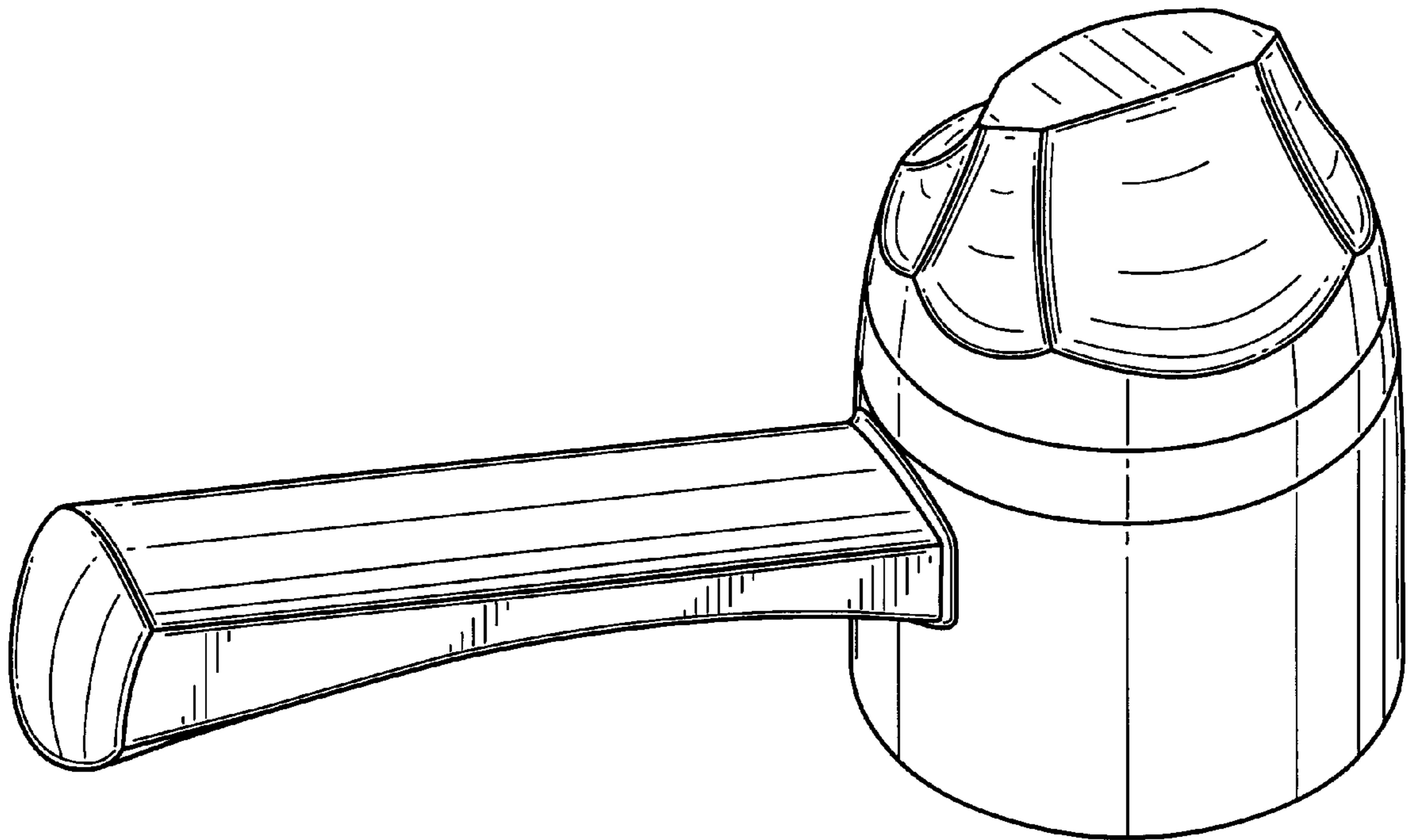


FIG. 1

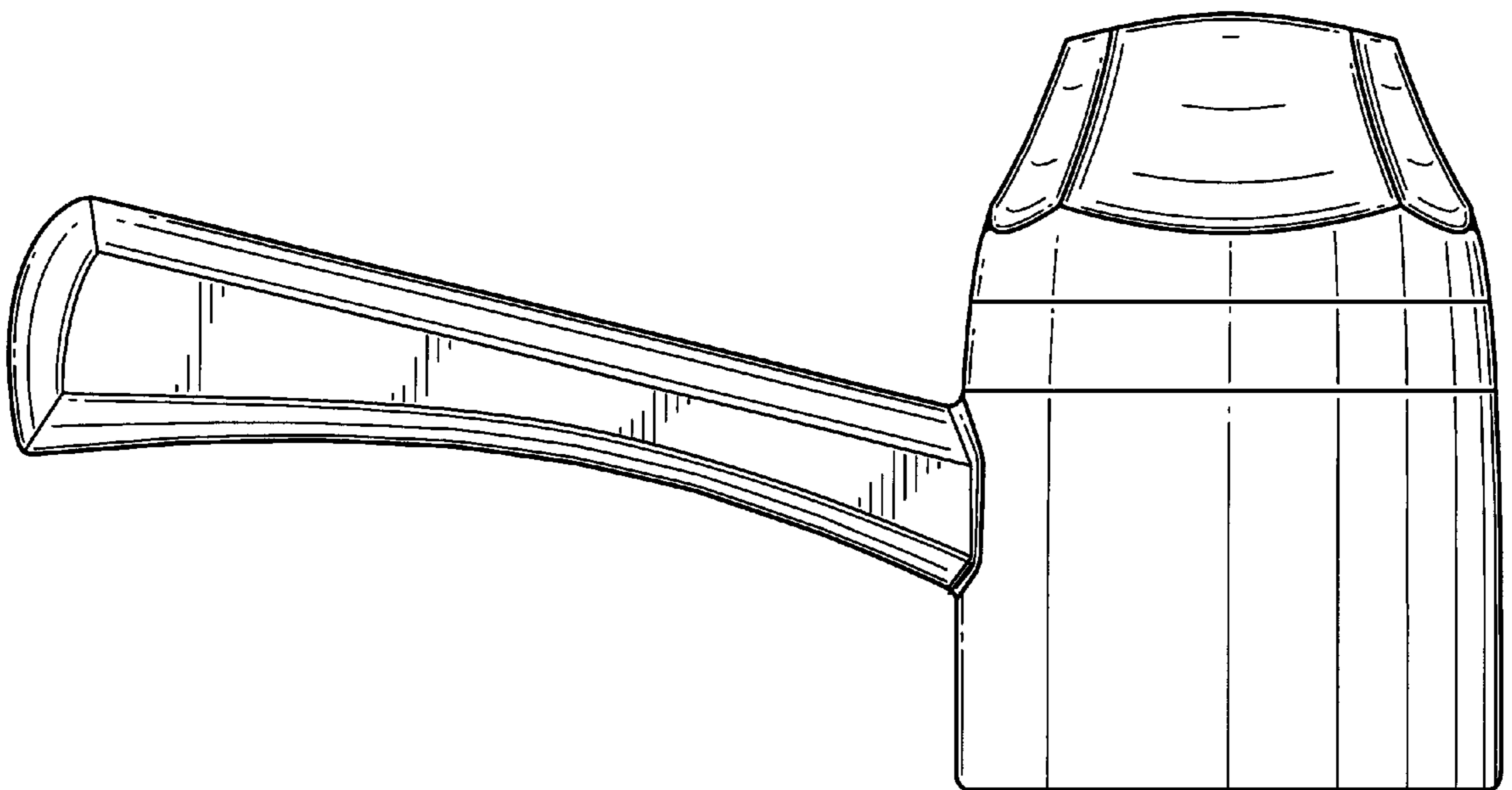


FIG. 2

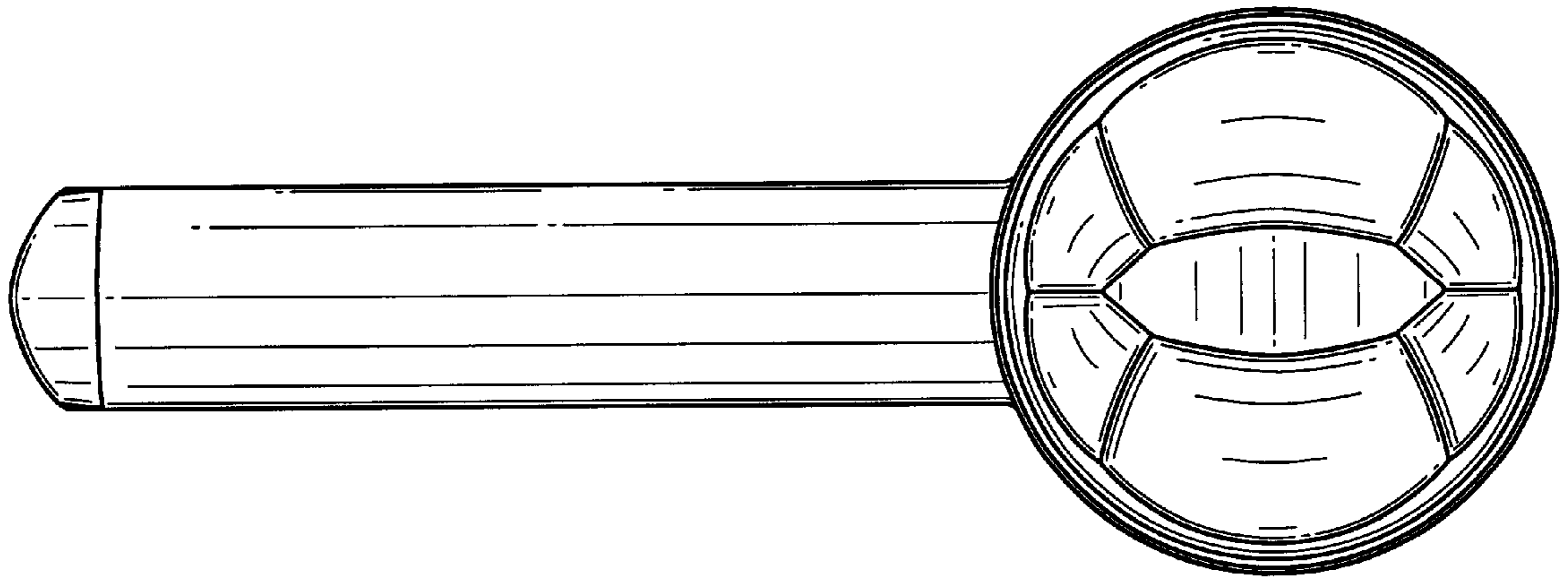


FIG. 3

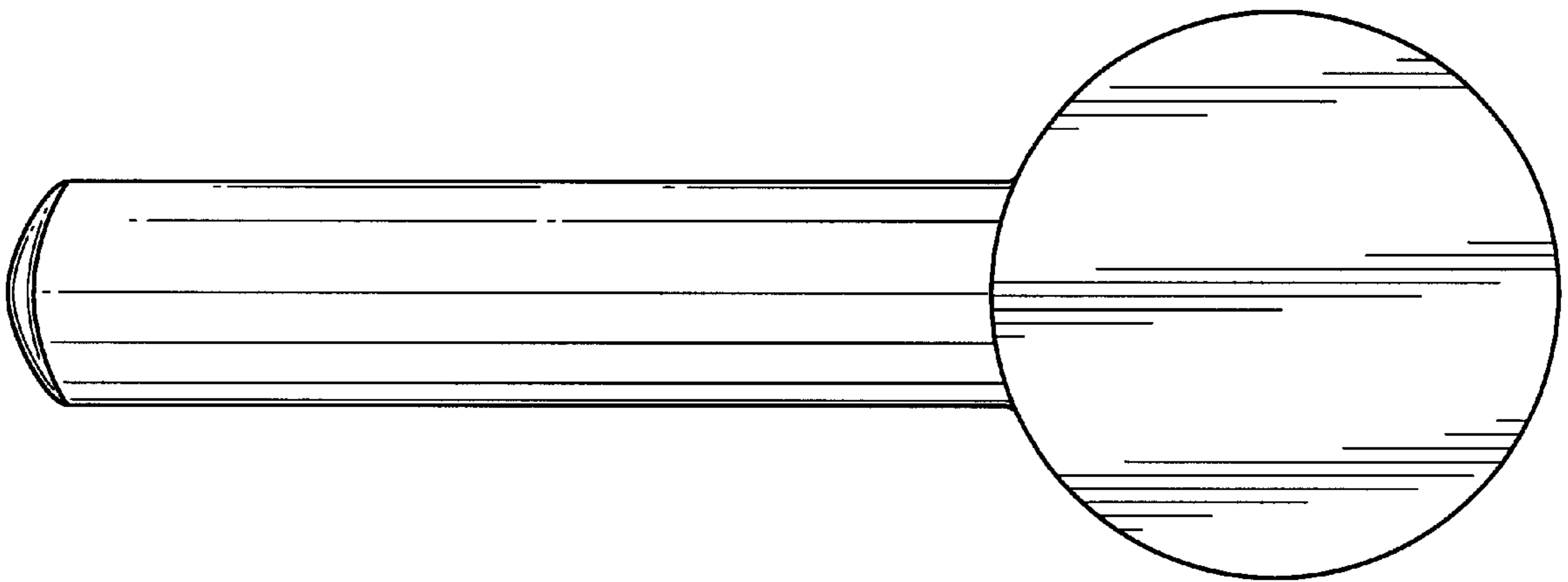


FIG. 4

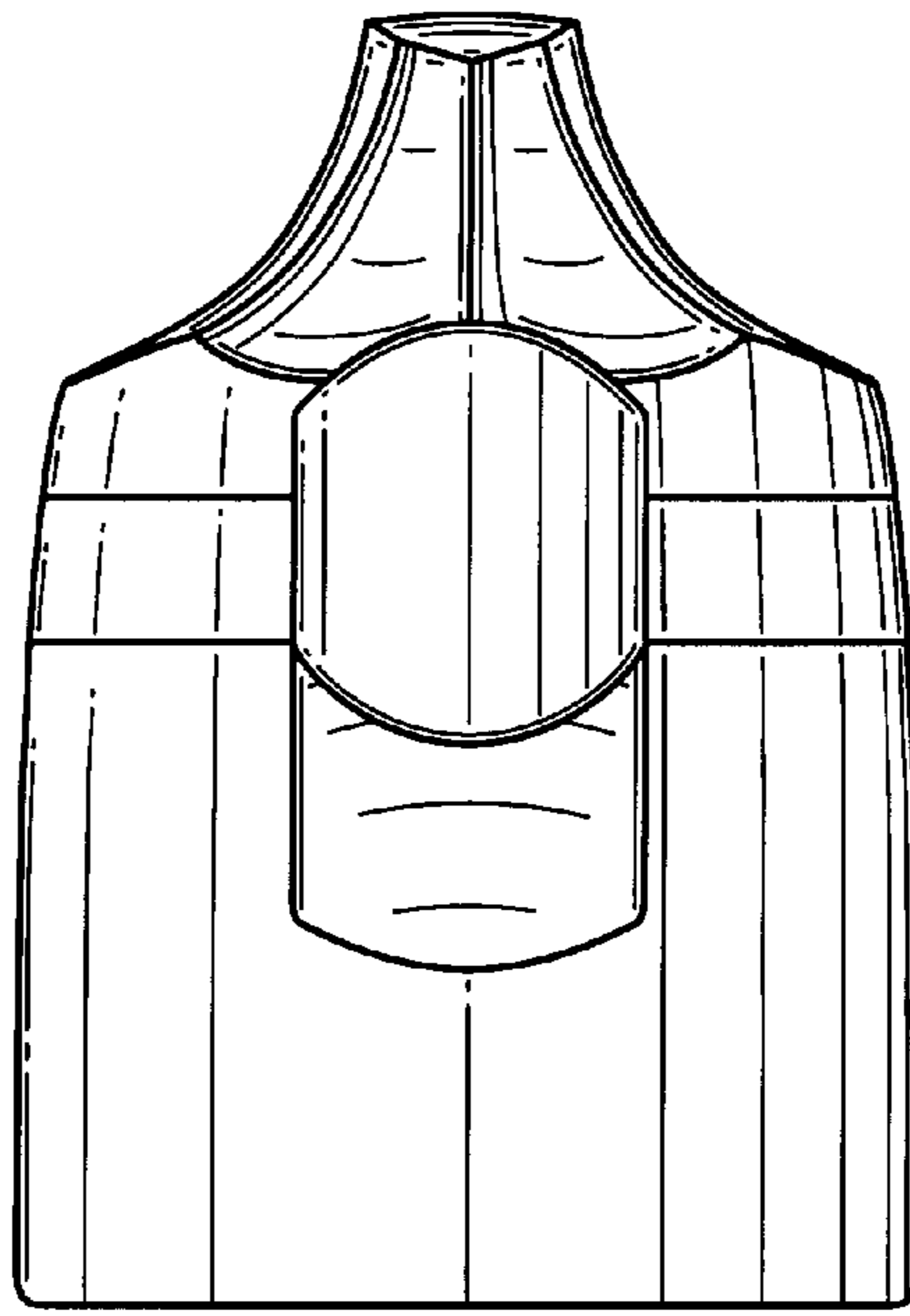


FIG. 5

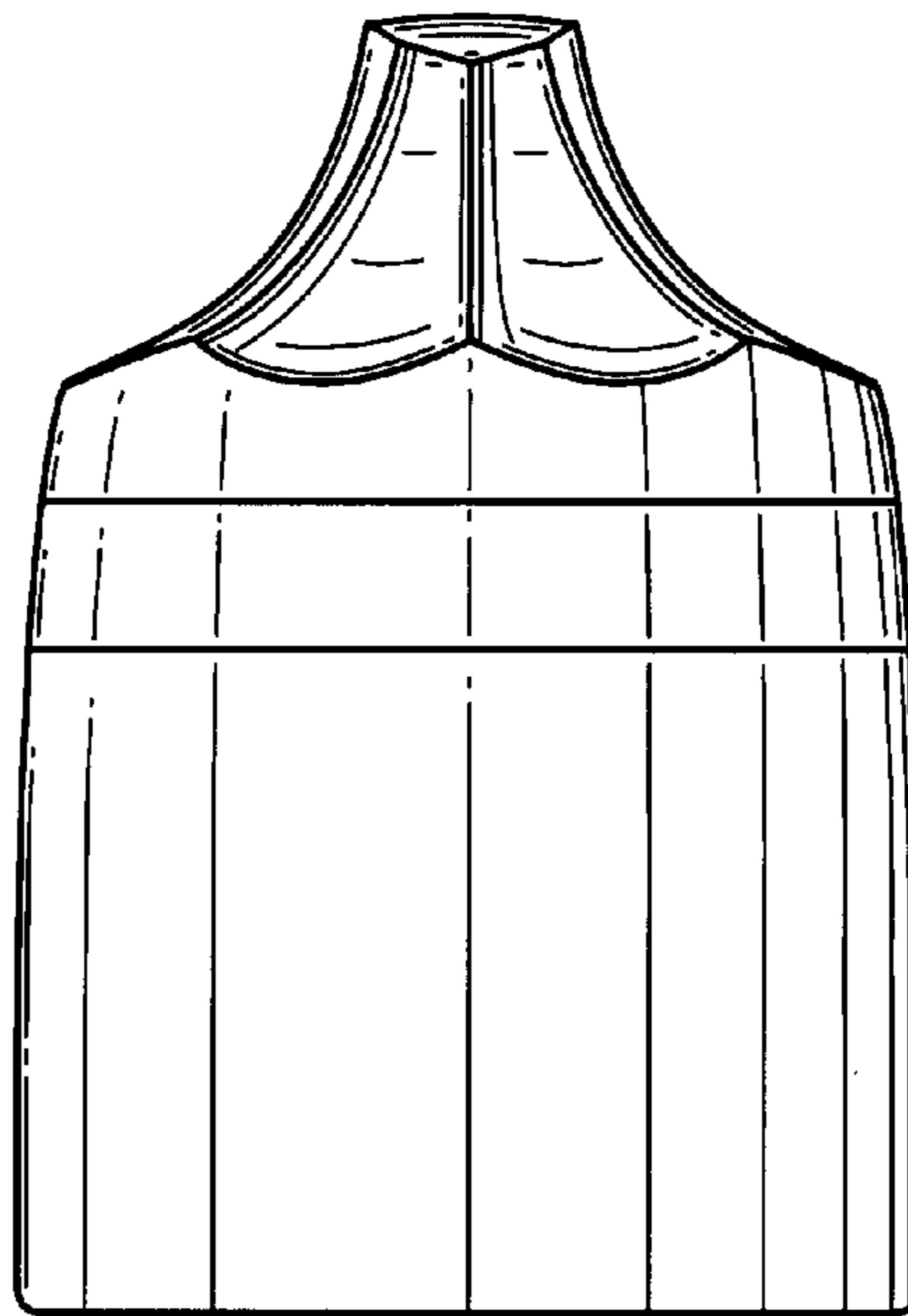


FIG. 6