



US00D459792S

(12) **United States Design Patent**
Lai

(10) **Patent No.:** **US D459,792 S**

(45) **Date of Patent:** **** Jul. 2, 2002**

(54) **HANDLE OF A SWITCH VALVE**

(76) **Inventor:** **Hung-Lin Lai**, No.5-3, Chi Pan Lane,
Kou Chien Li, Lu Kang Township,
Chang Hua Hsien (TW)

(**) **Term:** **14 Years**

(21) **Appl. No.:** **29/147,188**

(22) **Filed:** **Aug. 24, 2001**

(51) **LOC (7) Cl.** **23-01**

(52) **U.S. Cl.** **D23/252**

(58) **Field of Search** D23/238-257;
D8/300-312, DIG. 3; 4/675-678; 16/110 R-125;
137/801

(56) **References Cited**

U.S. PATENT DOCUMENTS

D327,532 S * 6/1992 Ko D23/252

D407,466 S * 3/1999 Hundley et al. D23/252

D415,825 S * 10/1999 Chang et al. D23/241

* cited by examiner

Primary Examiner—Louis S. Zarfaz

Assistant Examiner—Gregory Andoll

(74) *Attorney, Agent, or Firm*—Harrison & Egbert

(57) **CLAIM**

I claim the ornamental design for a handle of a switch valve,
as shown and described.

DESCRIPTION

FIG. 1 is an upper perspective view of the handle of a switch valve showing my design.

FIG. 2 is a side view thereof;

FIG. 3 is an opposite side view thereof;

FIG. 4 is a back view thereof;

FIG. 5 is a front view thereof;

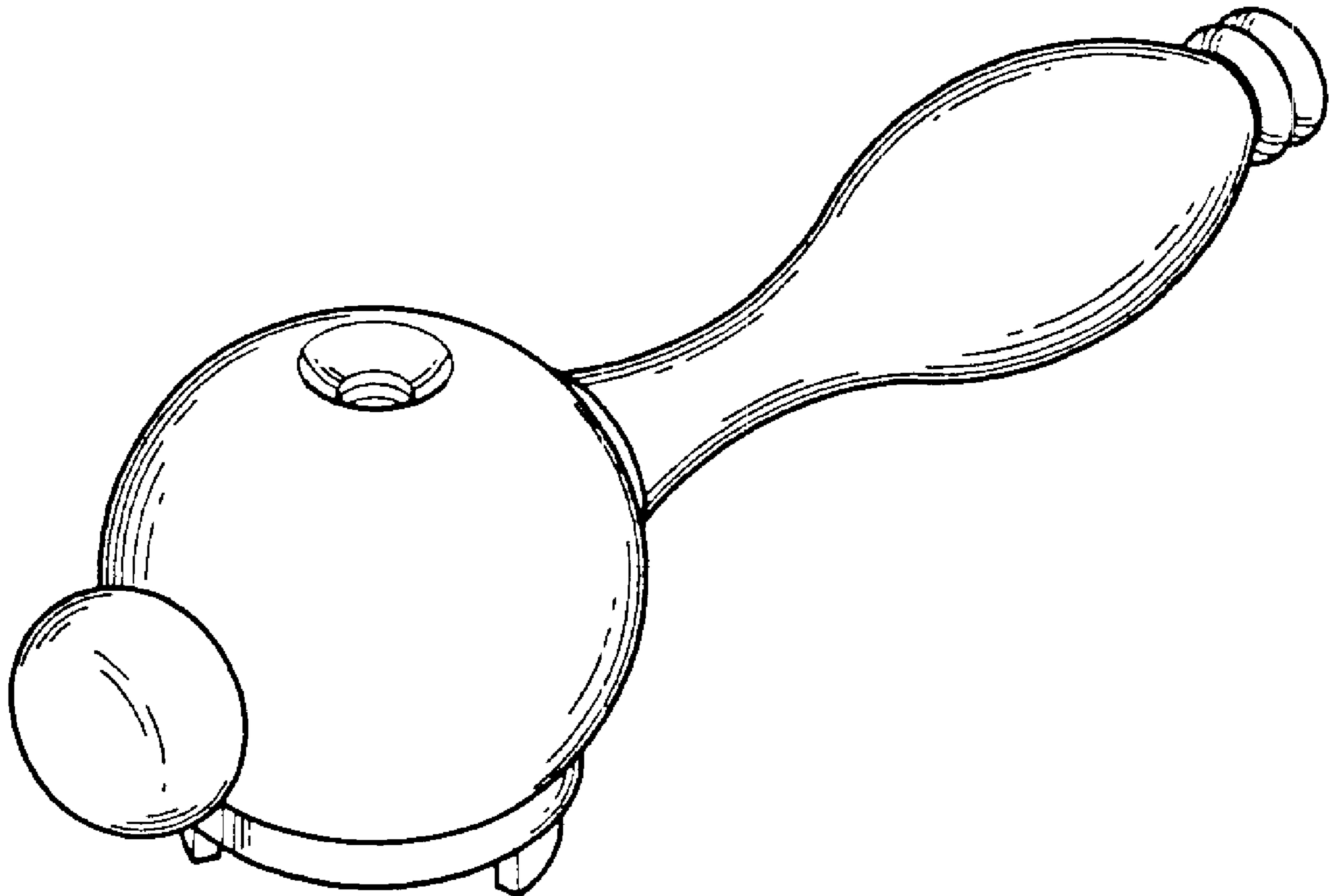
FIG. 6 is a top view thereof;

FIG. 7 is a bottom view thereof; and,

FIG. 8 is an upper perspective view thereof, showing attachment to a switch valve.

The broken lines in FIG. 8 are for illustrative purposes only and form no part of the claimed design.

1 Claim, 5 Drawing Sheets



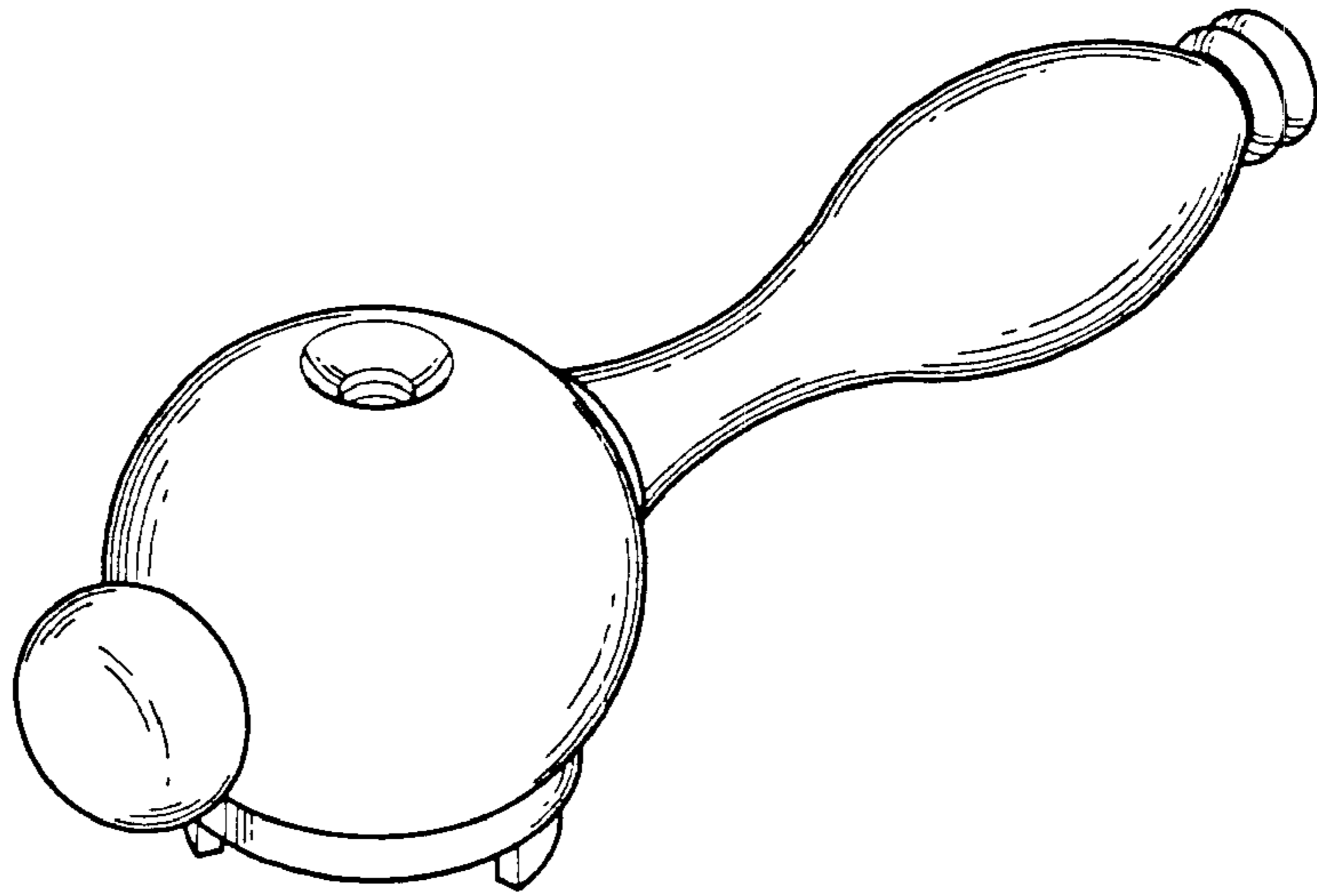


FIG.1

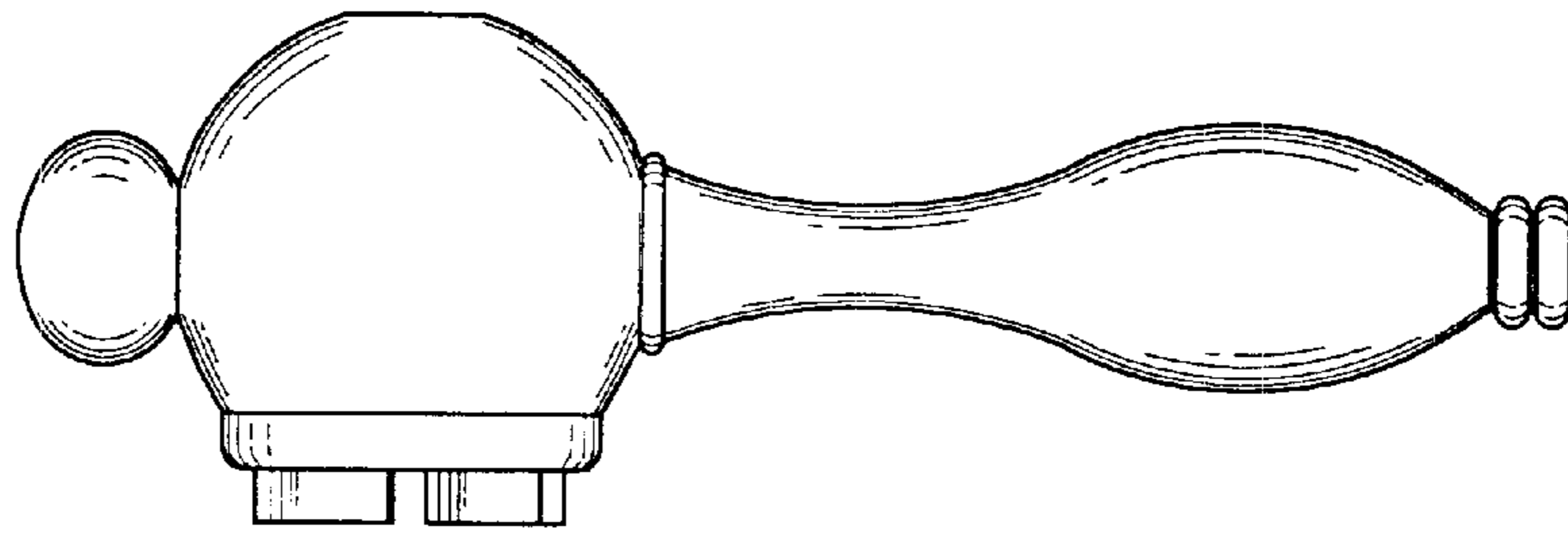


FIG. 2

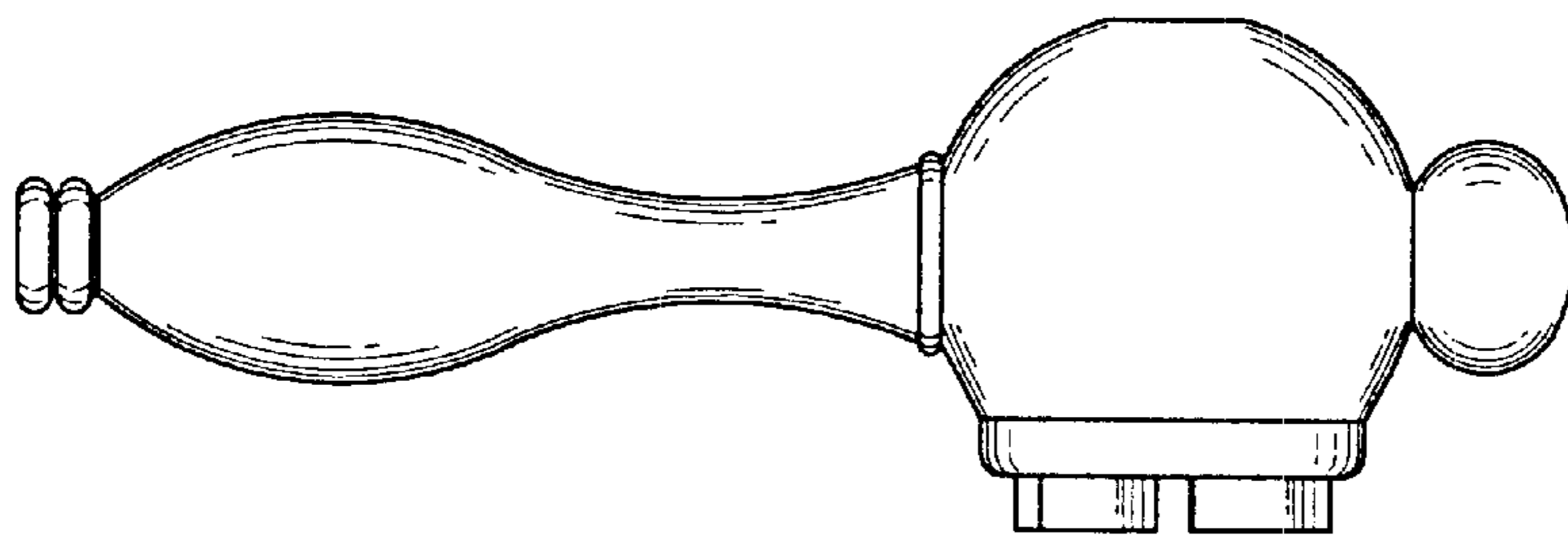


FIG. 3

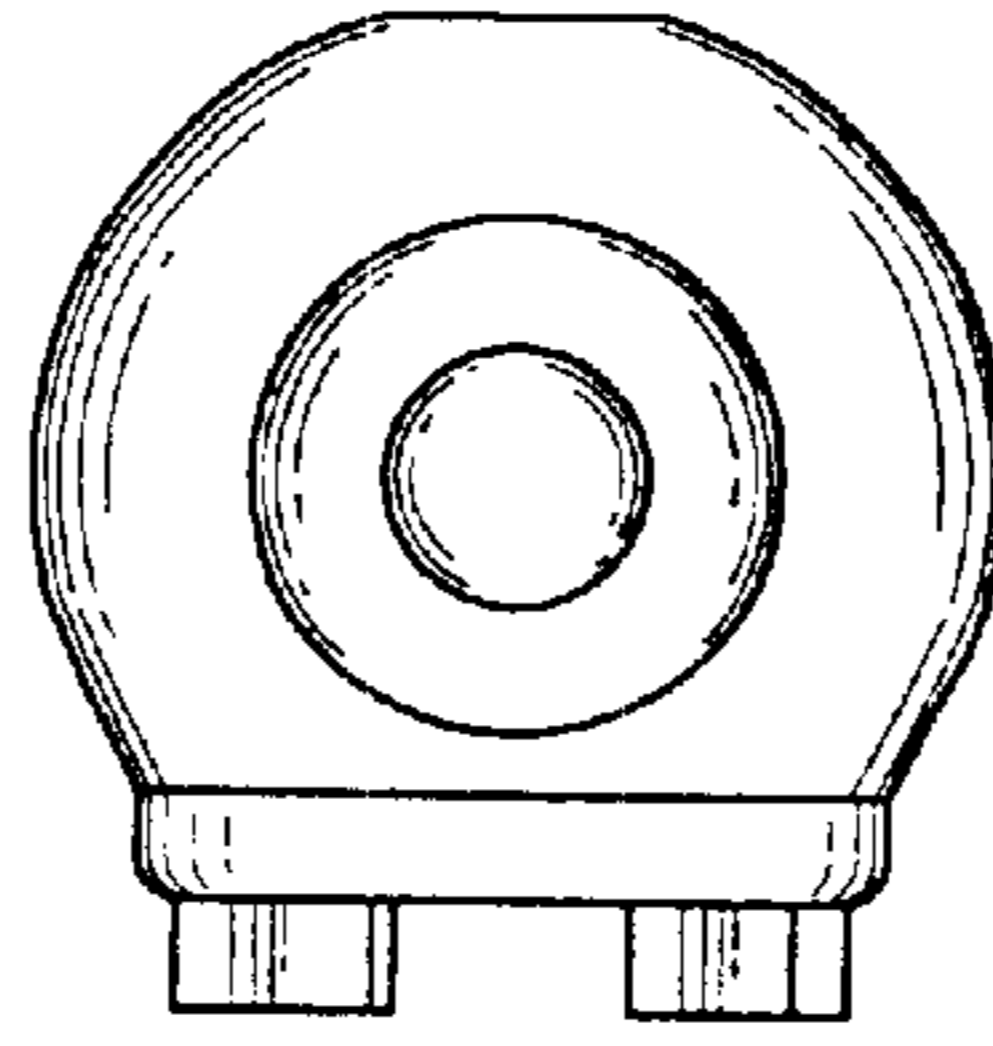


FIG. 4

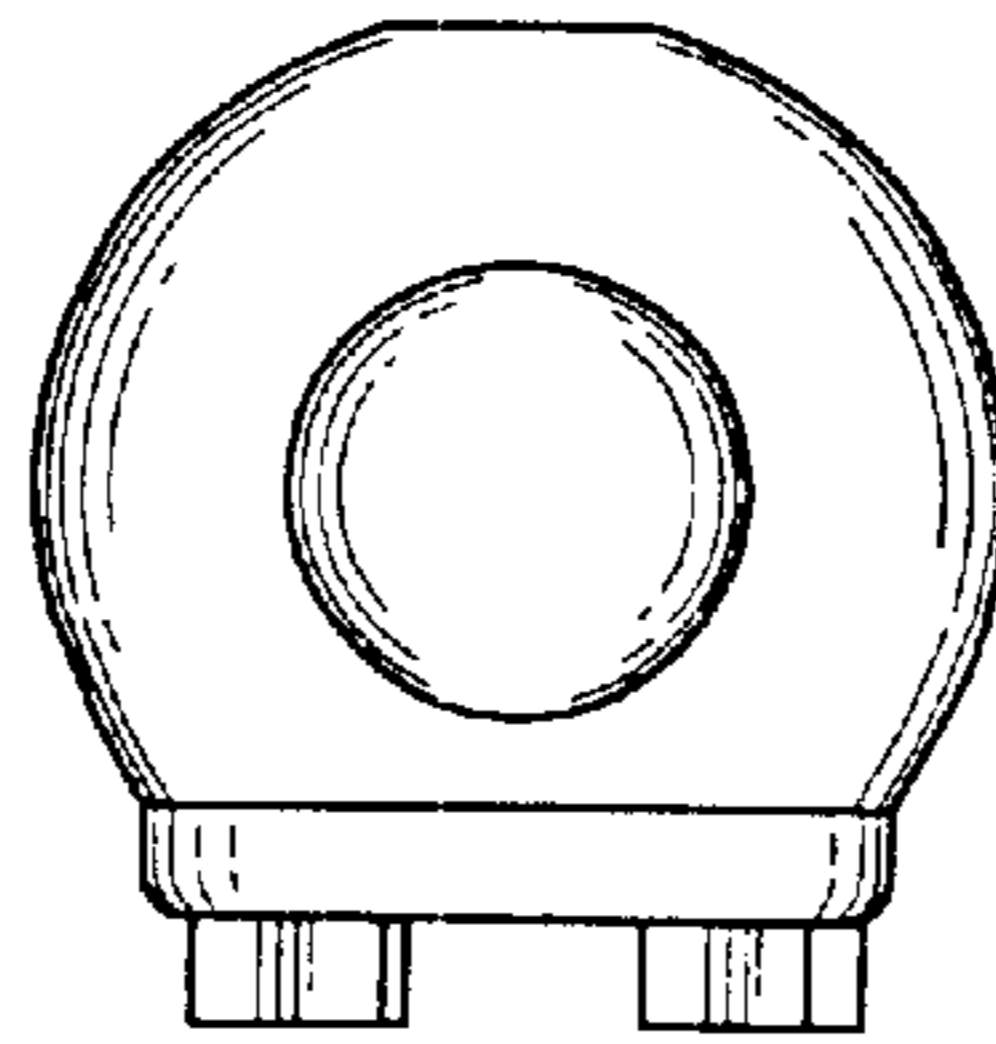


FIG. 5

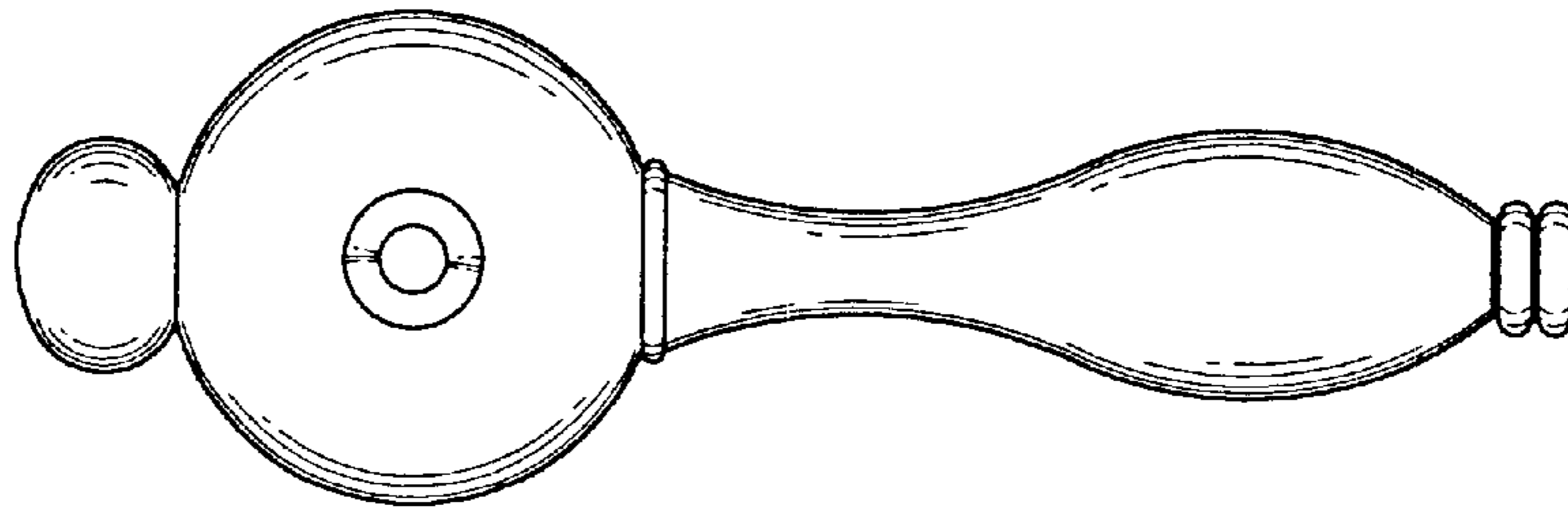


FIG. 6

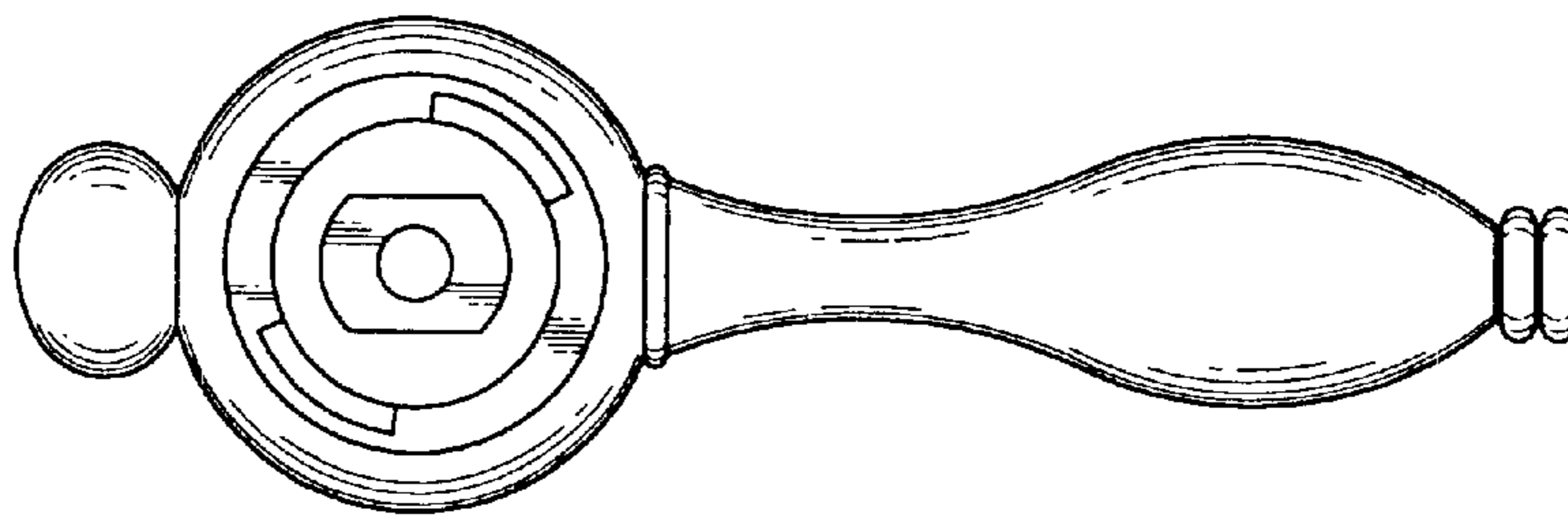


FIG. 7

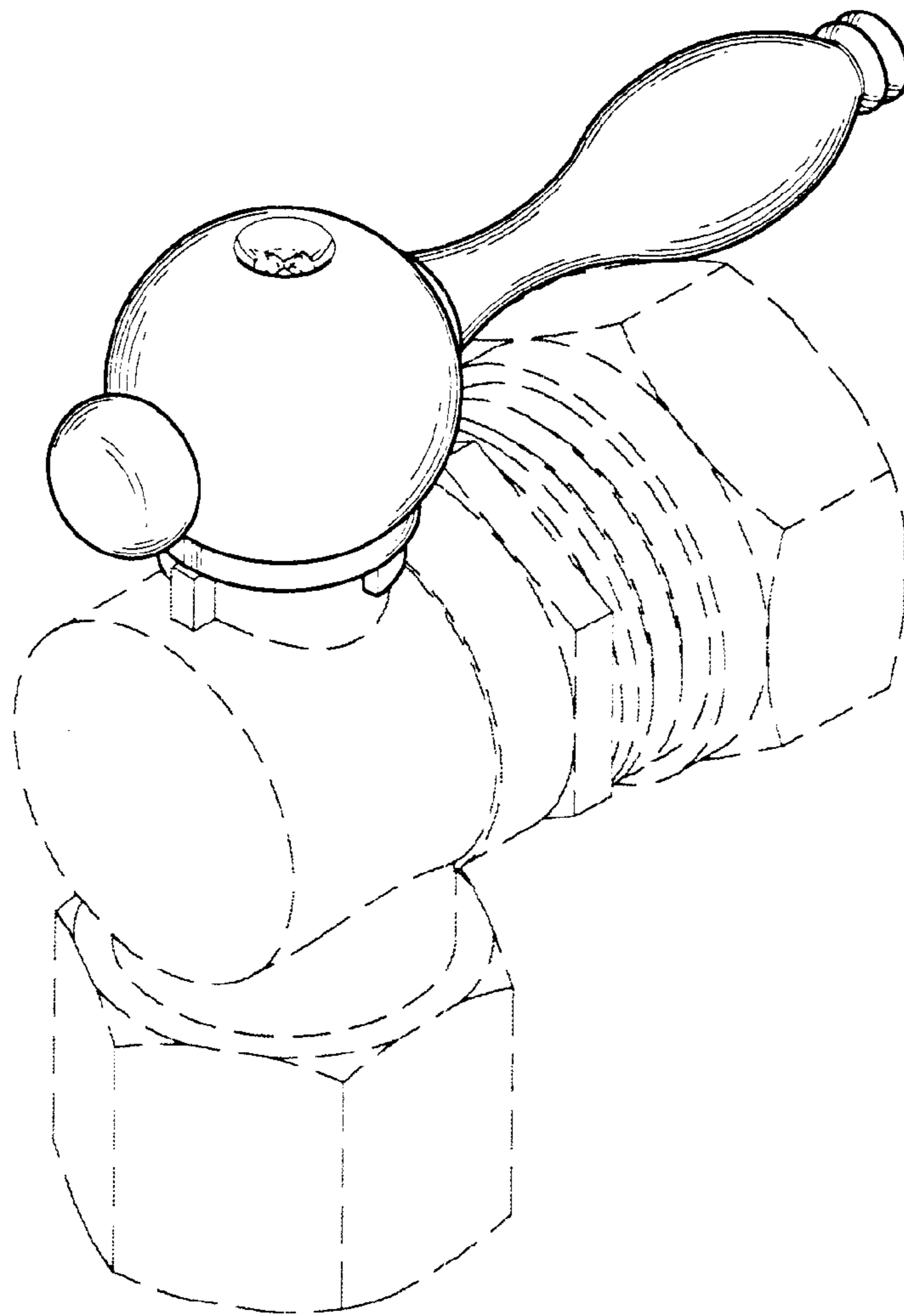


FIG. 8