



US00D459790S

(12) **United States Design Patent**
Dretzka et al.

(10) **Patent No.:** **US D459,790 S**

(45) **Date of Patent:** **** Jul. 2, 2002**

(54) **FAUCET**

(75) **Inventors:** **Lizabeth Dretzka; Eric Green**, both of Cleveland Heights; **Douglas A. Kemp**, North Ridgeville, all of OH (US)

(73) **Assignee:** **Moen Incorporated**, North Olmsted, OH (US)

(**) **Term:** **14 Years**

(21) **Appl. No.:** **29/135,863**

(22) **Filed:** **Jan. 19, 2001**

(51) **LOC (7) Cl.** **23-01**

(52) **U.S. Cl.** **D23/243; D23/24; D23/1**

(58) **Field of Search** **D23/238-243, D23/250-257; 4/675-678; 137/801; D8/300-310**

(56) **References Cited**

U.S. PATENT DOCUMENTS

D360,679 S * 7/1995 Doughty et al. D23/241

D374,706 S * 10/1996 Doughty et al. D23/243

D390,639 S * 2/1998 Ming-hua D23/243

D428,115 S * 7/2000 Pitsch D23/241

* cited by examiner

Primary Examiner—Louis S. Zarfaz

Assistant Examiner—Gregory Andoll

(74) *Attorney, Agent, or Firm*—Cook, Alex, McFarron, Manzo, Cummings & Mehler, Ltd.

(57) **CLAIM**

The ornamental design for a faucet, as shown and described.

DESCRIPTION

FIG. 1 is a perspective view of our new design for a faucet; FIG. 2 is a front view thereof;

FIG. 3 is a left side view thereof, the right side being the same as the left side;

FIG. 4 is a top view thereof;

FIG. 5 is a rear view thereof; and,

FIG. 6 is a bottom view thereof.

1 Claim, 3 Drawing Sheets

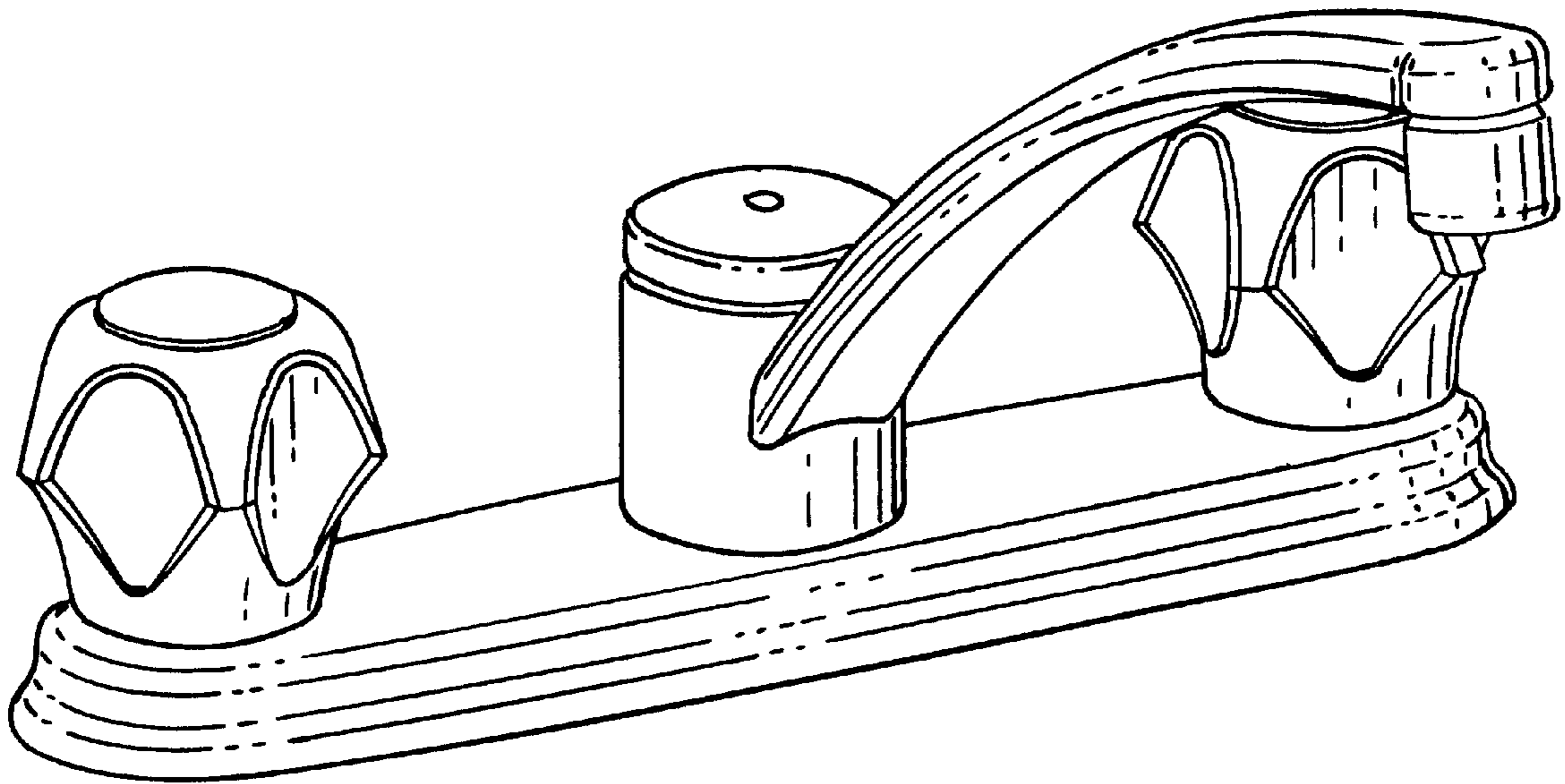


FIG. 1.

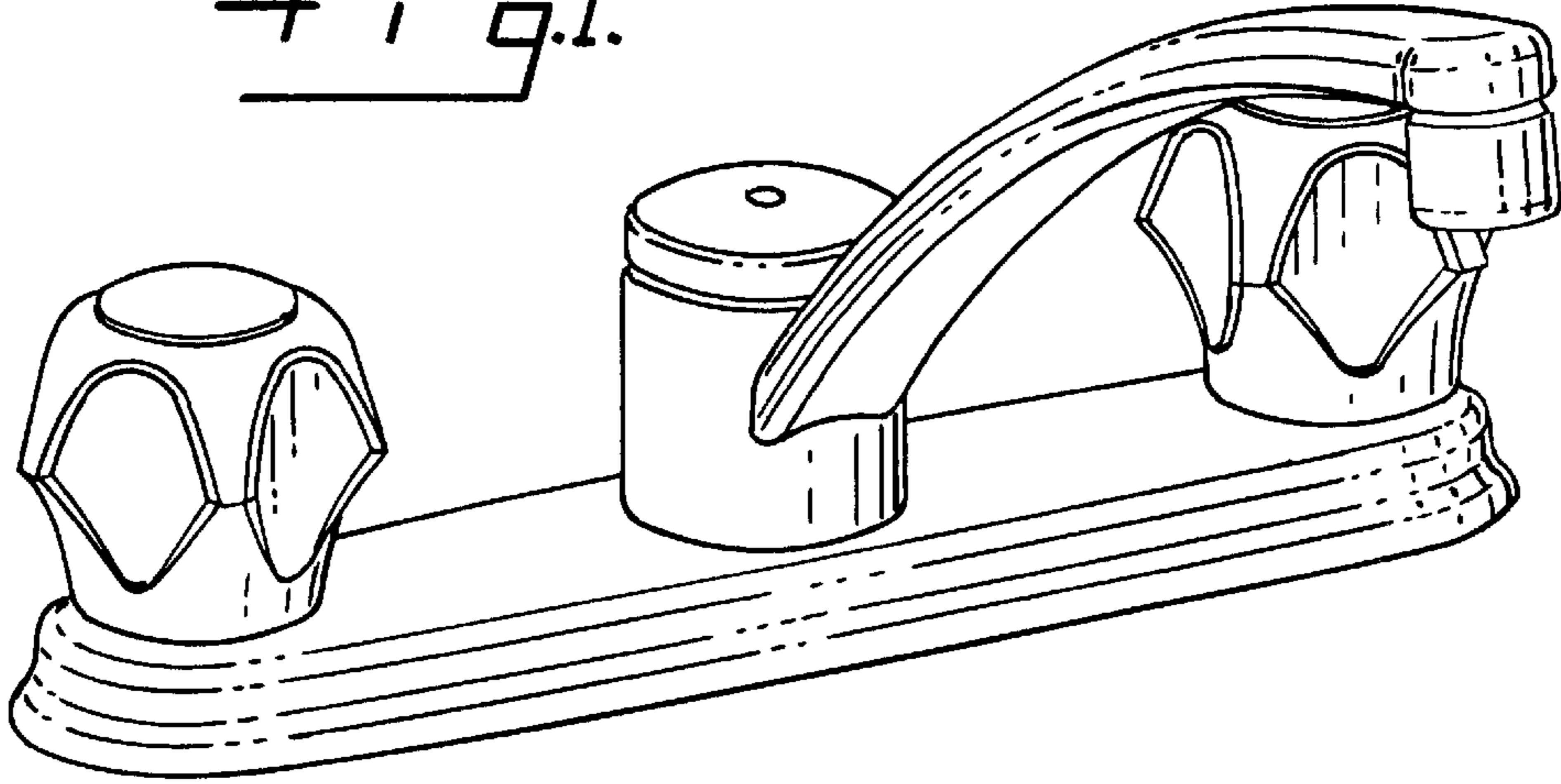


FIG. 2.

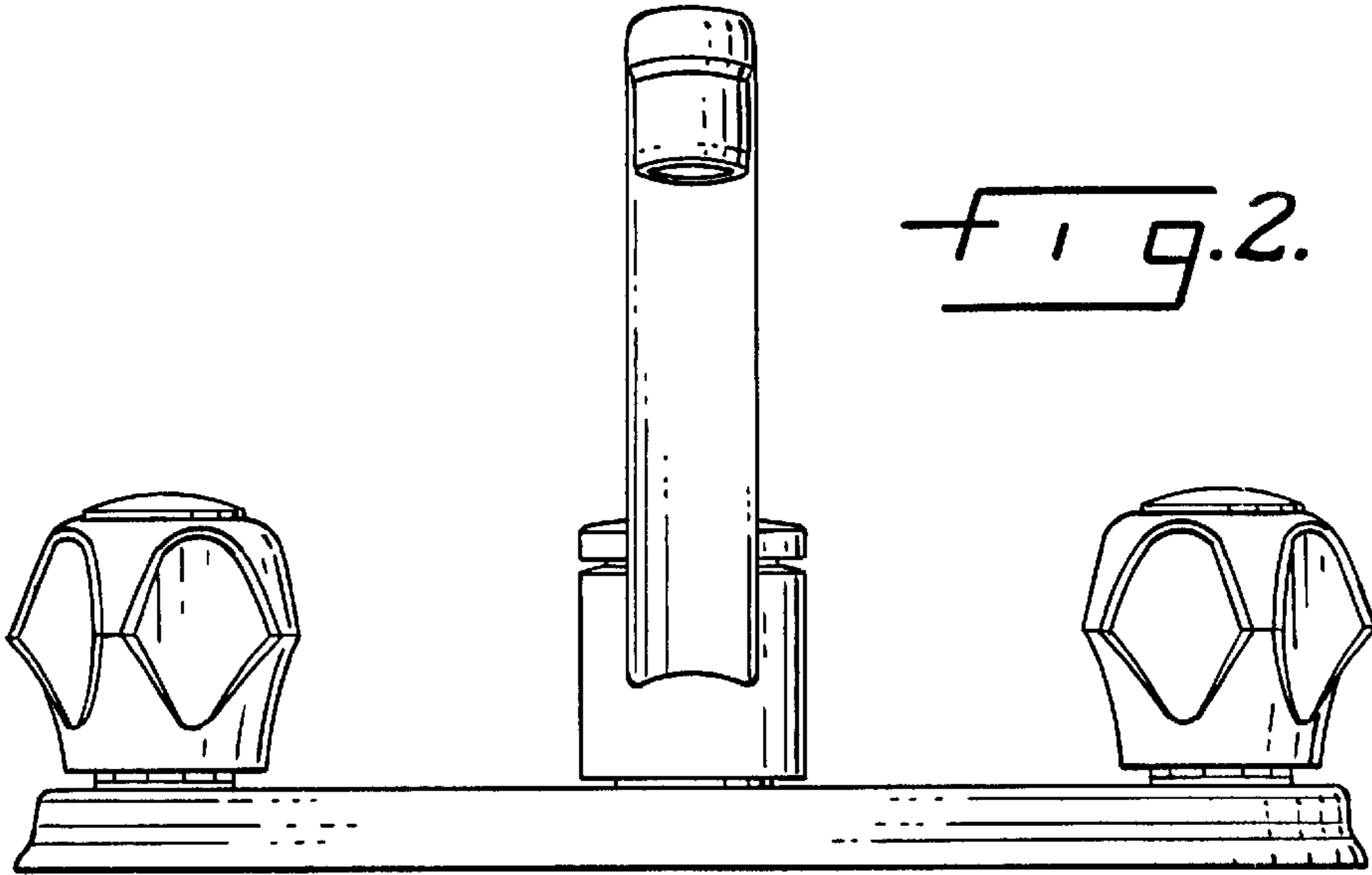


FIG. 3.

