



US00D459785S

(12) **United States Design Patent**  
**Chih**

(10) **Patent No.:** **US D459,785 S**

(45) **Date of Patent:** **\*\* Jul. 2, 2002**

(54) **STRAIGHT SPRINKLING GUN**

D358,195 S \* 5/1995 Tsai ..... D23/213  
D444,846 S \* 7/2001 Cross et al. .... D23/213

(76) Inventor: **Gordon Chih**, No. 33, Tien-Yang Lane,  
Chao-An Li, Lu-Kang Chen, Changhua  
Hsien (TW)

\* cited by examiner

(\*\*) Term: **14 Years**

*Primary Examiner*—Robin V. Taylor

(74) *Attorney, Agent, or Firm*—Troxell Law Office PLLC

(21) Appl. No.: **29/142,327**

(57) **CLAIM**

(22) Filed: **May 24, 2001**

The ornamental design for a straight sprinkling gun, as shown and described.

(51) **LOC (7) Cl.** ..... **23-01**

**DESCRIPTION**

(52) **U.S. Cl.** ..... **D23/213; D23/223**

(58) **Field of Search** ..... D23/213, 223,  
D23/226; 239/280, 530-532

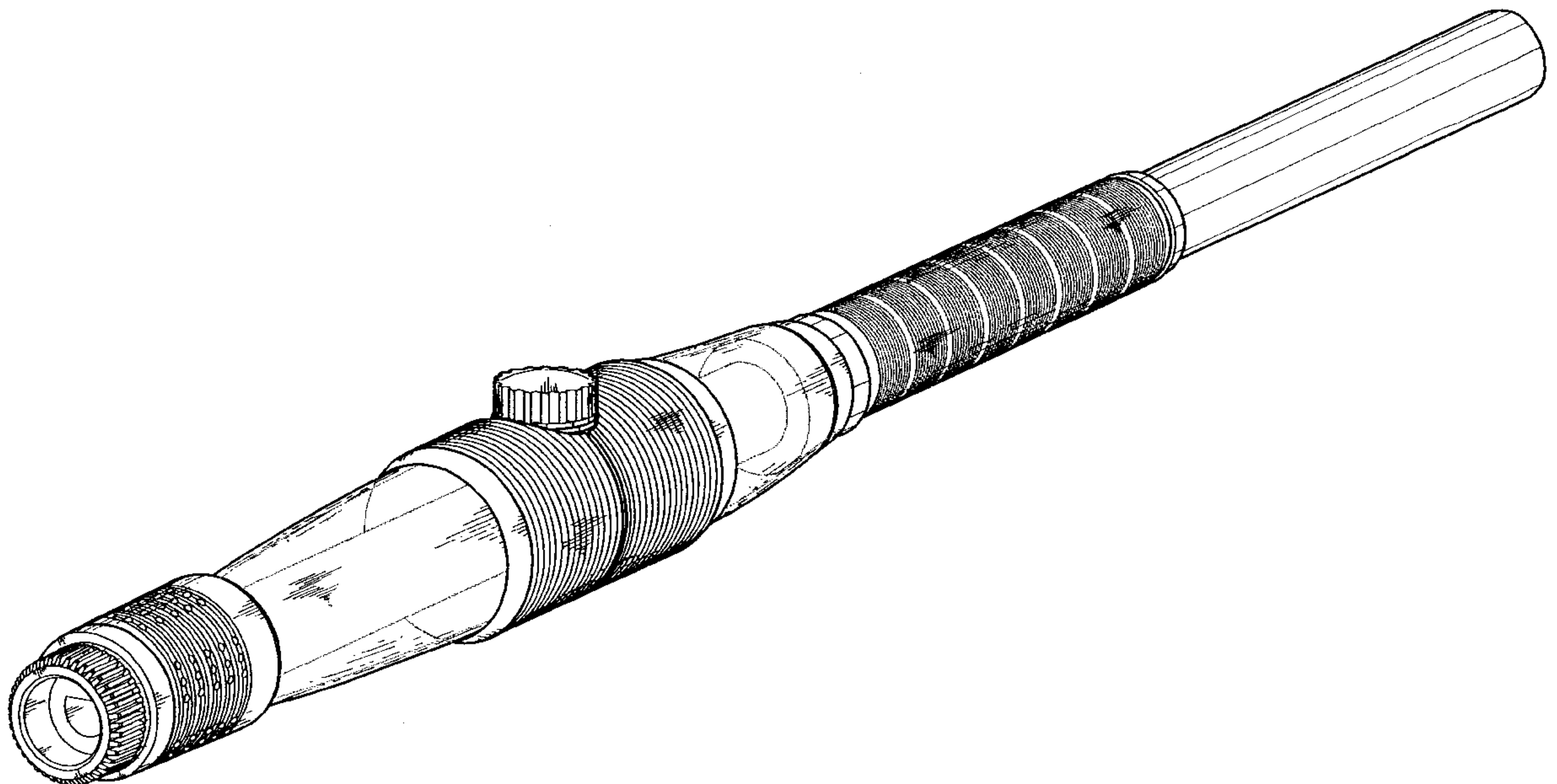
FIG. 1 is a perspective view of a straight sprinkling gun showing my design;  
FIG. 2 is a side view thereof;  
FIG. 3 is a top view thereof;  
FIG. 4 is a bottom view thereof;  
FIG. 5 is a rear view thereof; and,  
FIG. 6 is a front view thereof.

(56) **References Cited**

**U.S. PATENT DOCUMENTS**

D179,697 S \* 2/1957 Price ..... D23/213  
D317,968 S \* 7/1991 Tsai ..... D23/226  
D327,943 S \* 7/1992 Tsai ..... D23/213

**1 Claim, 5 Drawing Sheets**



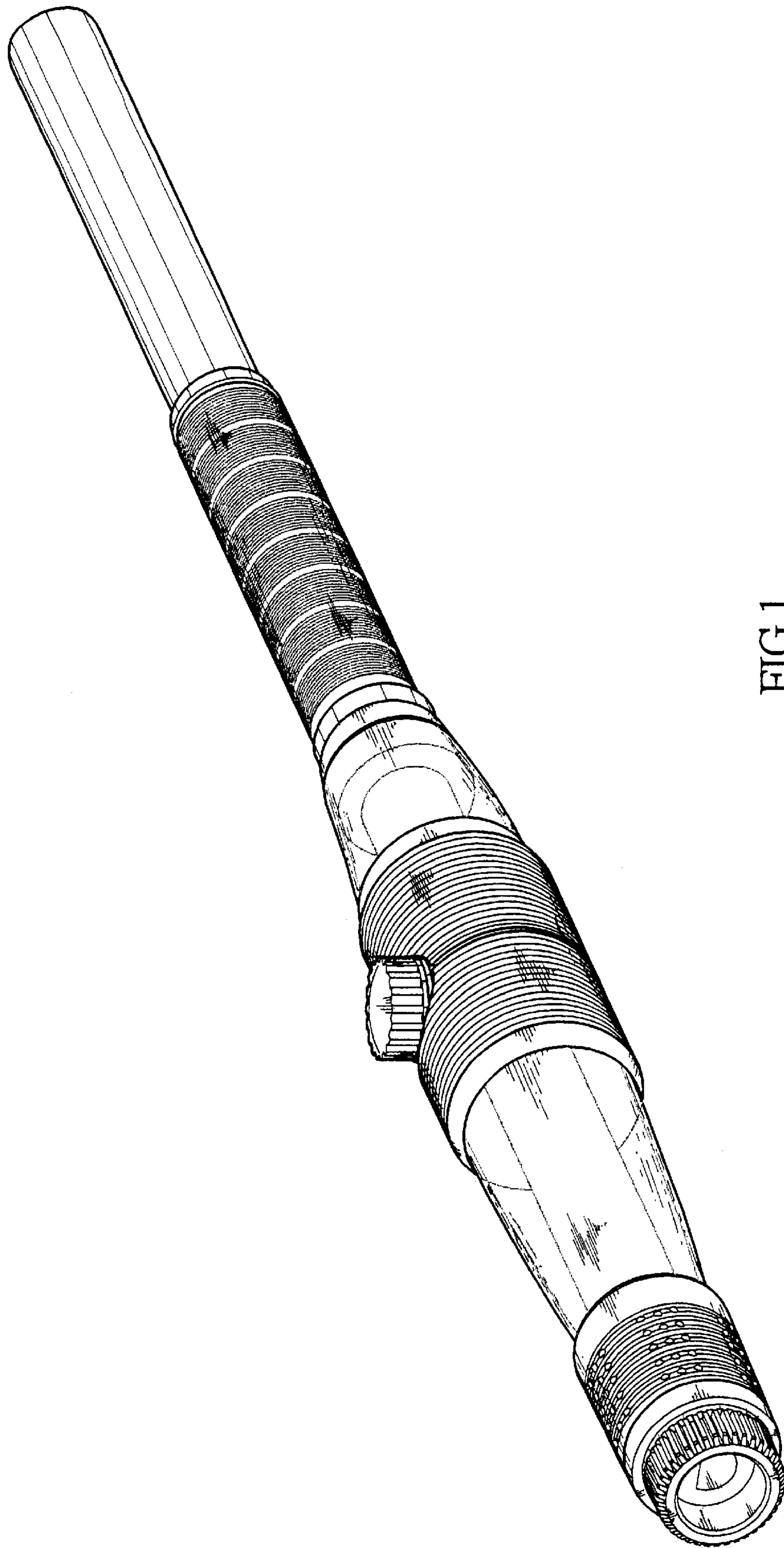


FIG.1

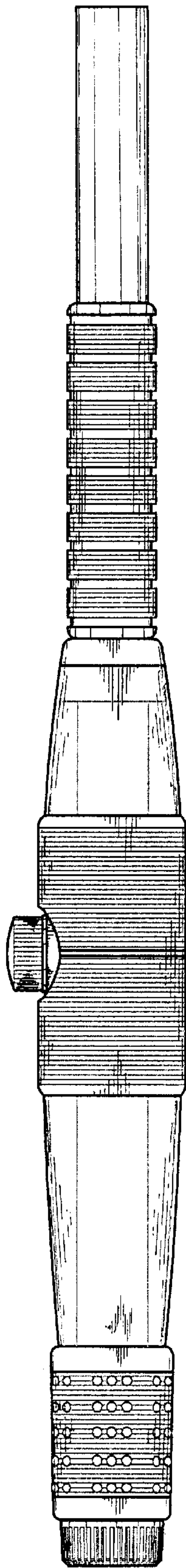


FIG.2

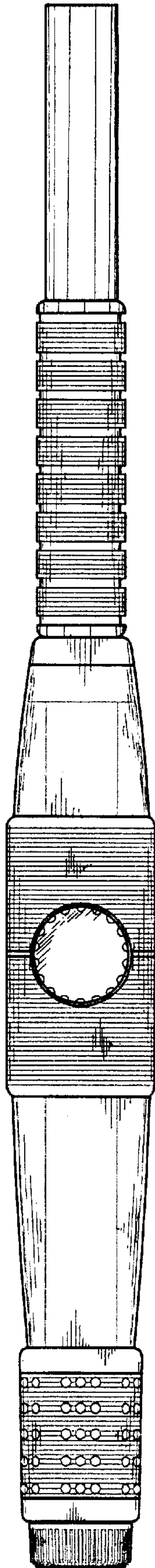


FIG.3

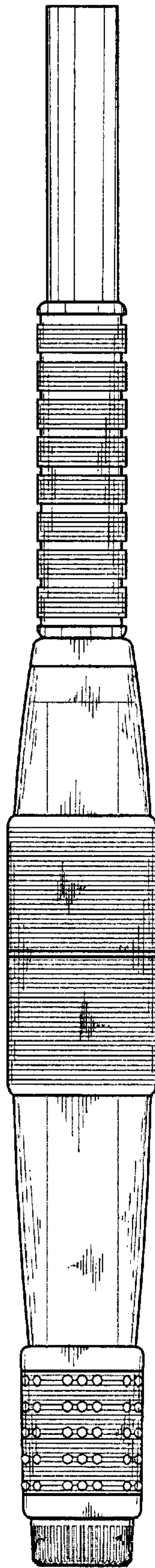


FIG.4



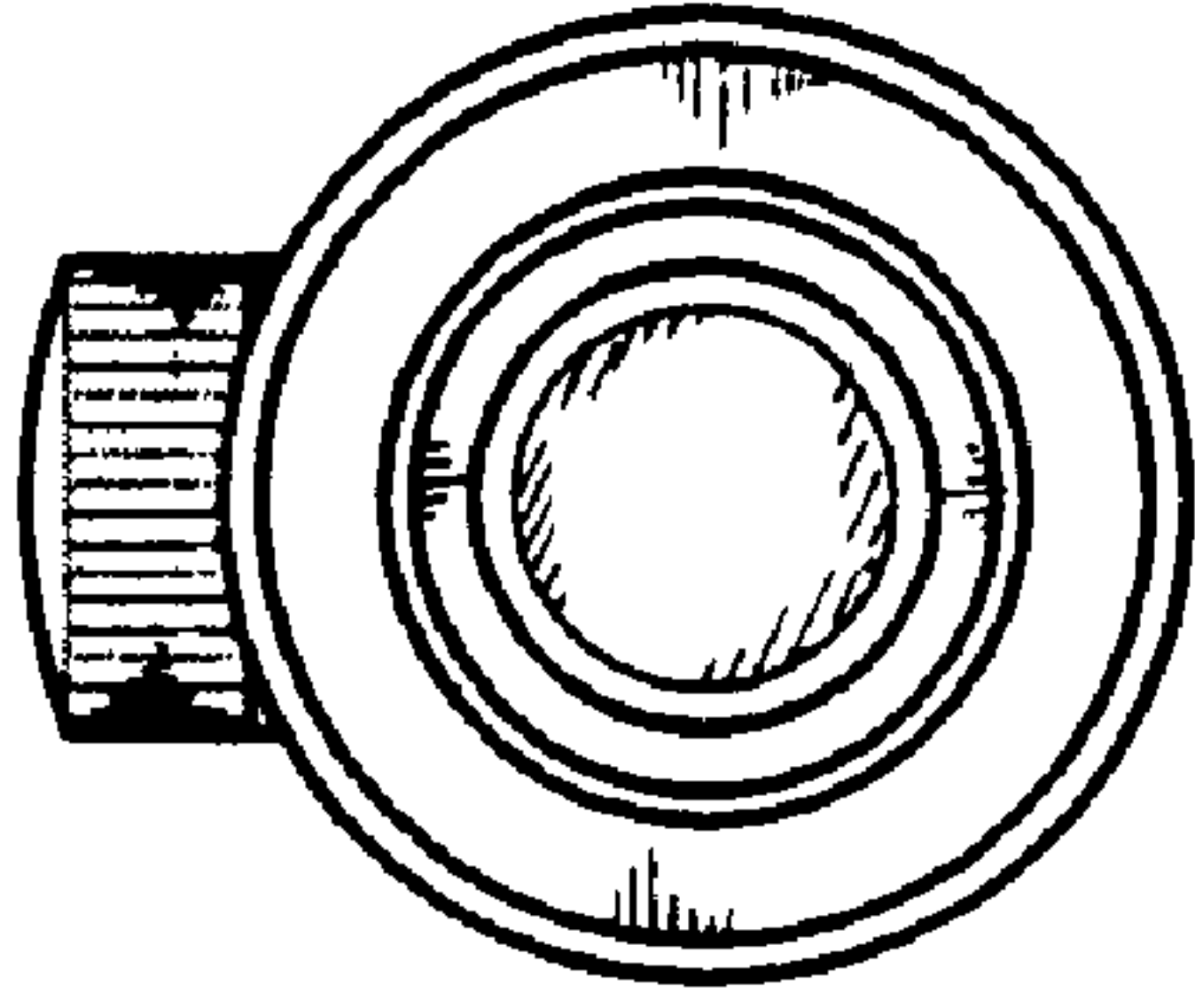


FIG.6

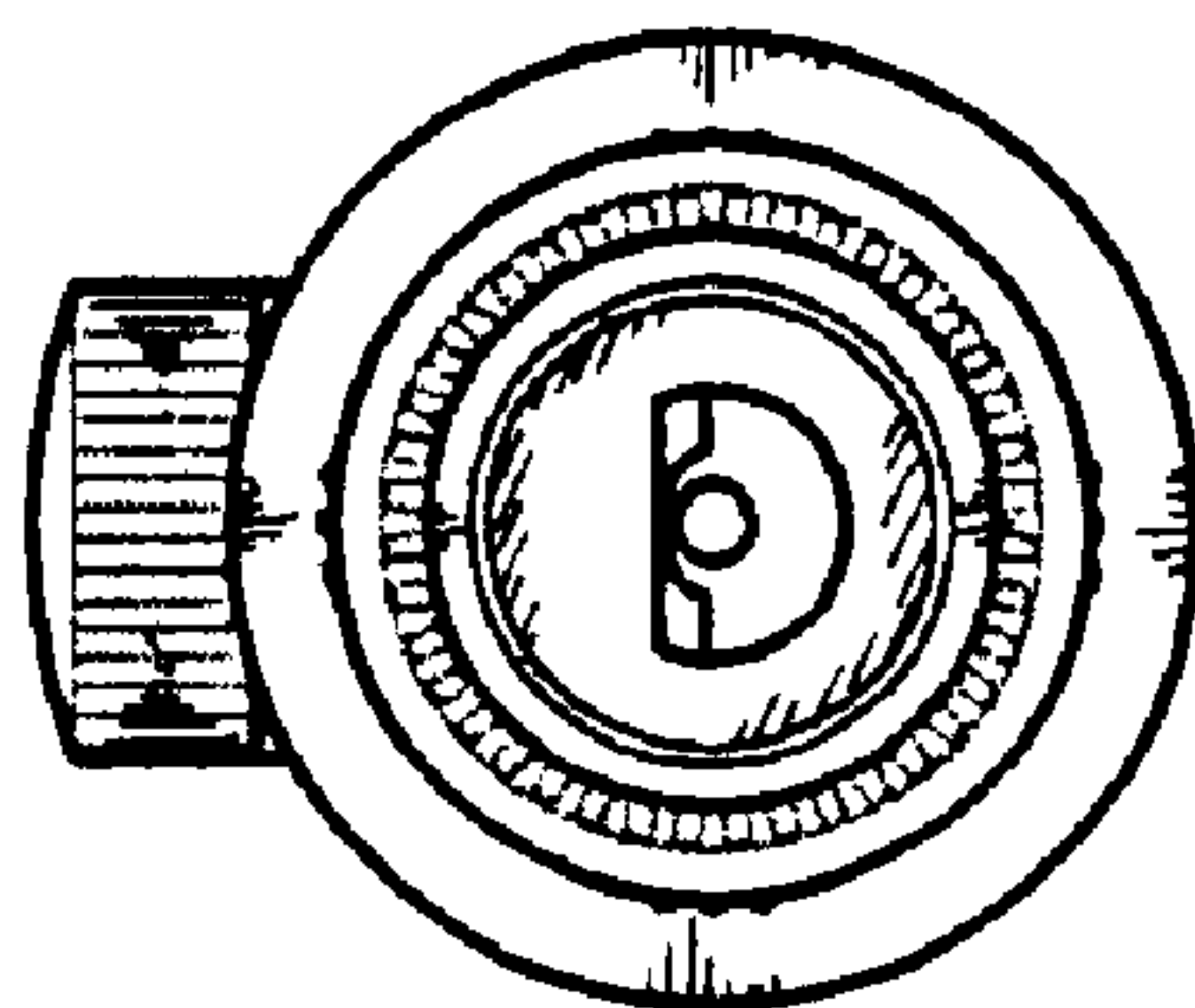


FIG.5