



US00D459784S

(12) **United States Design Patent**  
**Smith**

(10) **Patent No.:** **US D459,784 S**

(45) **Date of Patent:** **\*\* Jul. 2, 2002**

(54) **FISHING ROD HOLDER**

(76) Inventor: **Clyde D. Smith**, 17050 Pike 163,  
Louisiana, MO (US) 63353

(\*\*) Term: **14 Years**

(21) Appl. No.: **29/129,392**

(22) Filed: **Sep. 13, 2000**

(51) **LOC (7) Cl.** ..... **22-05**

(52) **U.S. Cl.** ..... **D22/147**

(58) **Field of Search** ..... D22/147, 148,  
D22/109; D8/1, 356; 248/156; 43/21.2,  
26; 224/922

(56) **References Cited**

**U.S. PATENT DOCUMENTS**

3,956,846	A	*	5/1976	Kent	.....	43/21.2
D270,080	S	*	8/1983	Culp	.....	D22/147
4,517,761	A	*	5/1985	Bleggi	.....	43/21.2
D431,277	S	*	9/2000	Mitchell	.....	D22/147
D448,446	S	*	9/2001	Walls et al.	.....	D22/147
D448,447	S	*	9/2001	Sheppard	.....	D22/147

\* cited by examiner

*Primary Examiner*—Catherine R. Oliver

(57) **CLAIM**

The ornamental design for the fishing rod holder, as shown and described.

**DESCRIPTION**

FIG. 1 is a front elevational view of the fishing rod holder showing my new design;  
 FIG. 2 is a rear elevational view thereof;  
 FIG. 3 is a left side elevational view thereof;  
 FIG. 4 is a right side elevational view thereof;  
 FIG. 5 is a top plan view thereof;  
 FIG. 6 is a bottom plan view thereof;  
 FIG. 7 is a perspective view of thereof taken from above and to the left;  
 FIG. 8 is a front elevational view of an alternatively preferred embodiment of the fishing rod holder showing my new design;  
 FIG. 9 is a rear elevational view thereof;  
 FIG. 10 is a left side elevational view thereof;  
 FIG. 11 is a right side elevational view thereof;  
 FIG. 12 is a top plan view thereof;  
 FIG. 13 is a bottom plan view thereof; and,  
 FIG. 14 is a perspective view of thereof taken from above and to the left.

**1 Claim, 8 Drawing Sheets**

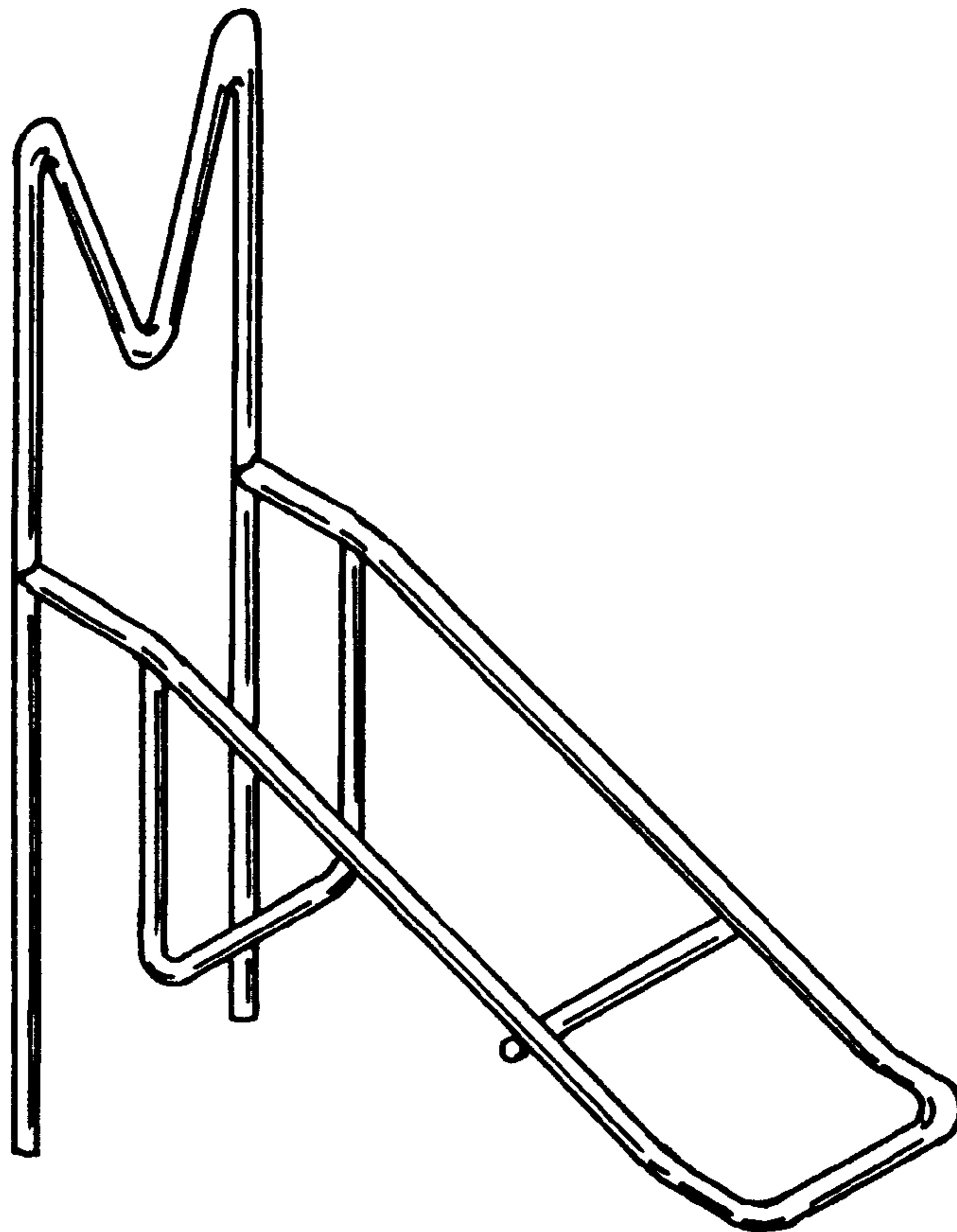


FIG 1

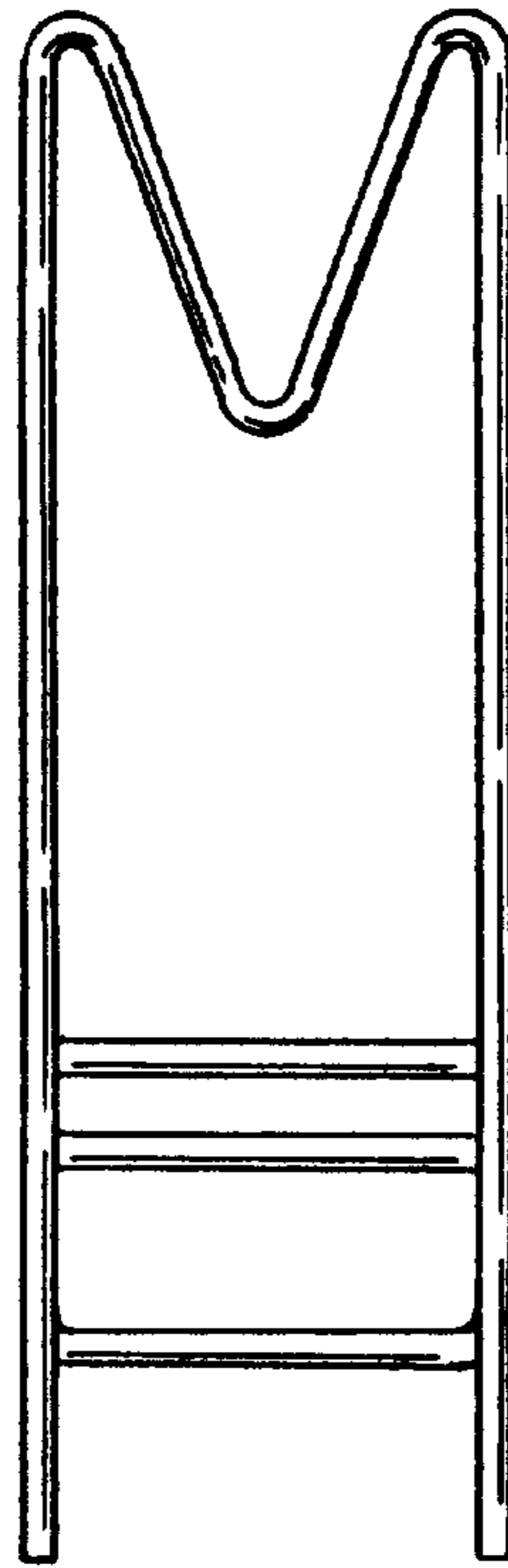


FIG 2

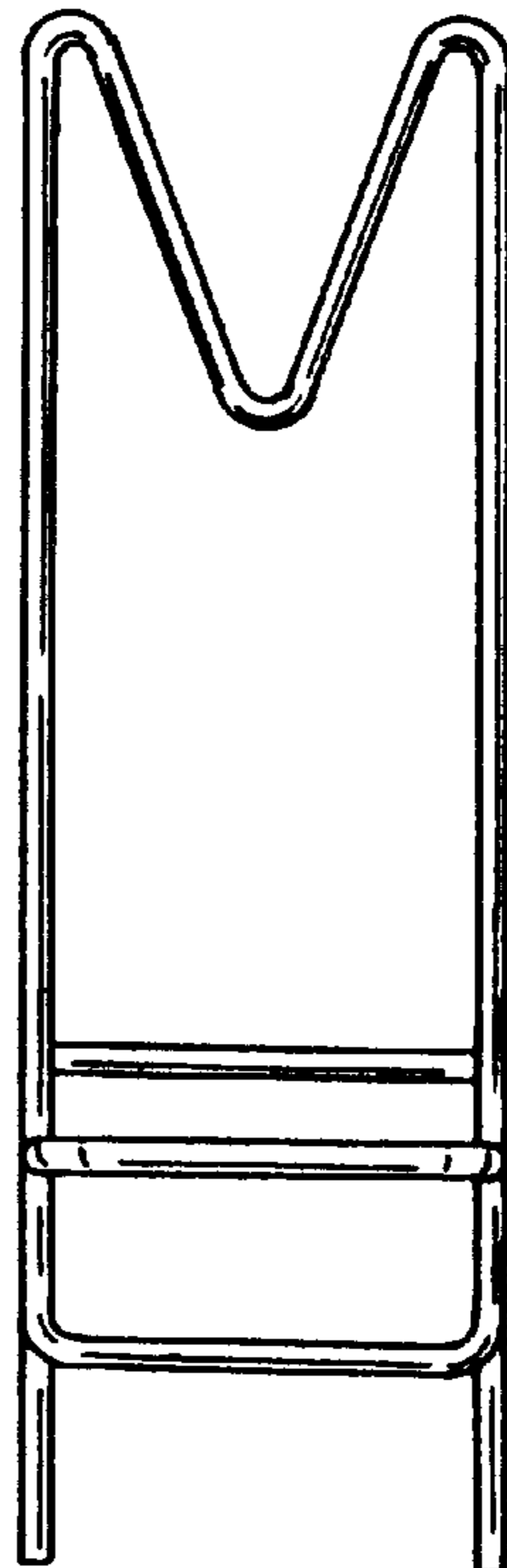


FIG 3

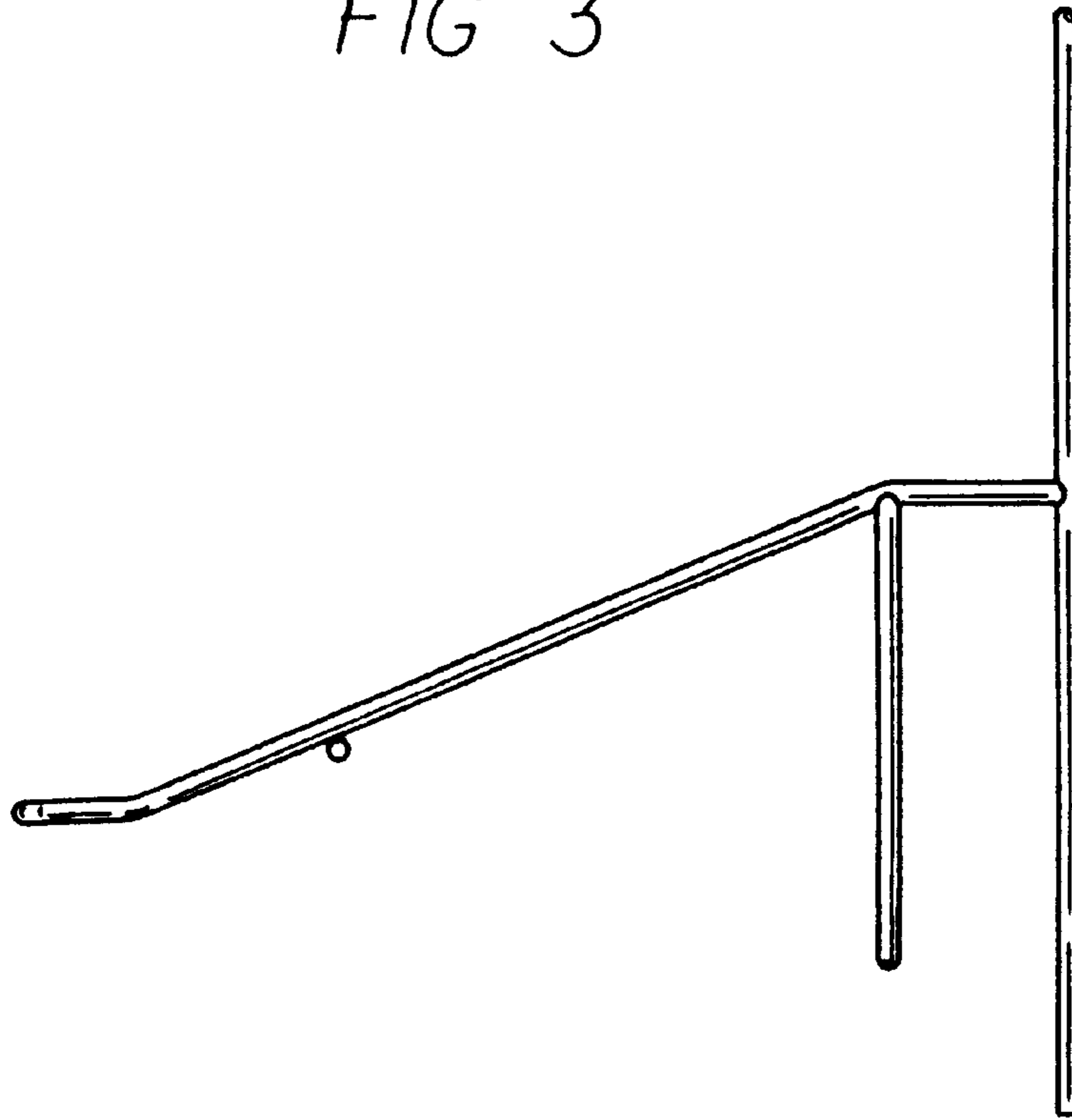
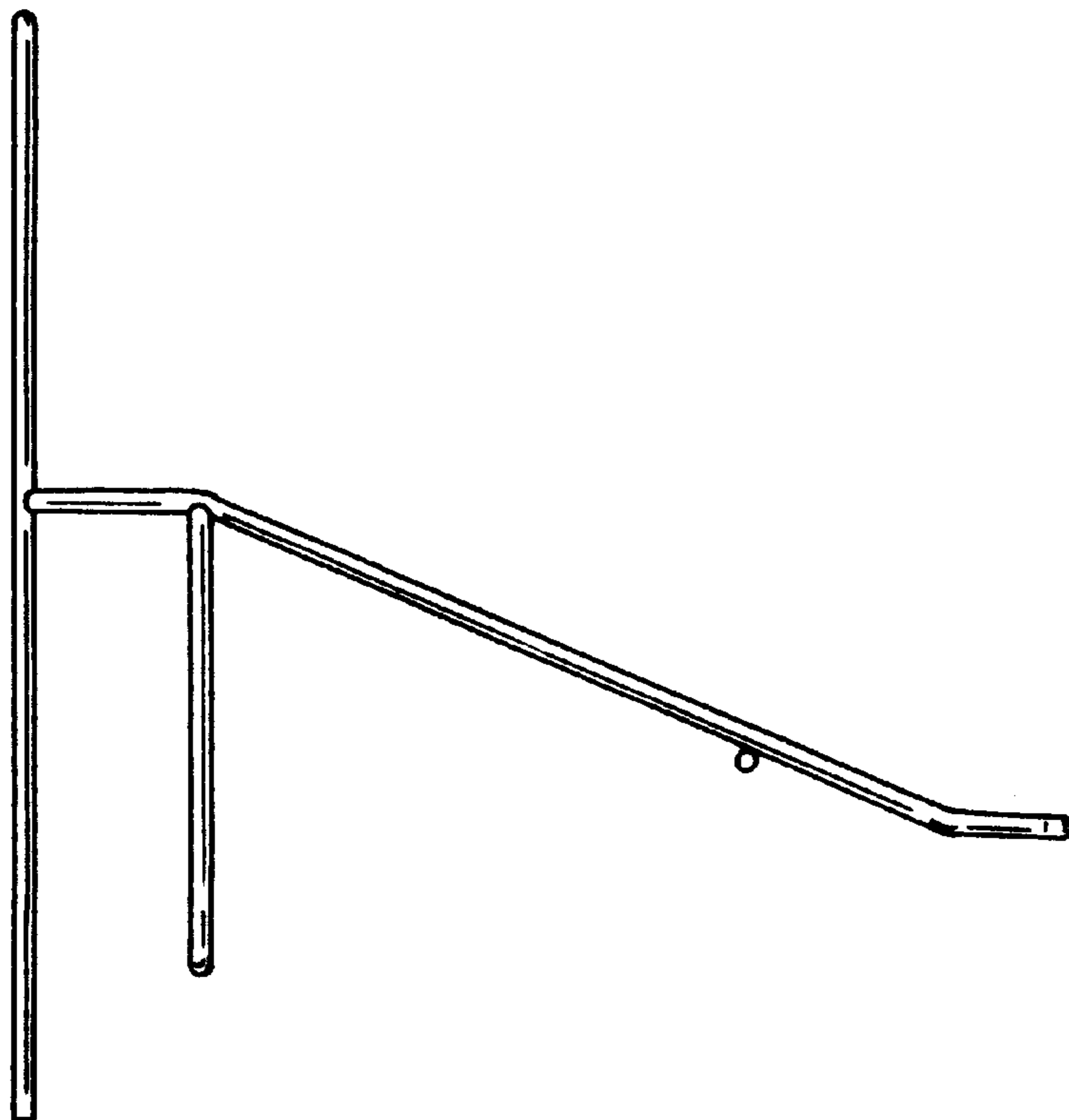


FIG 4



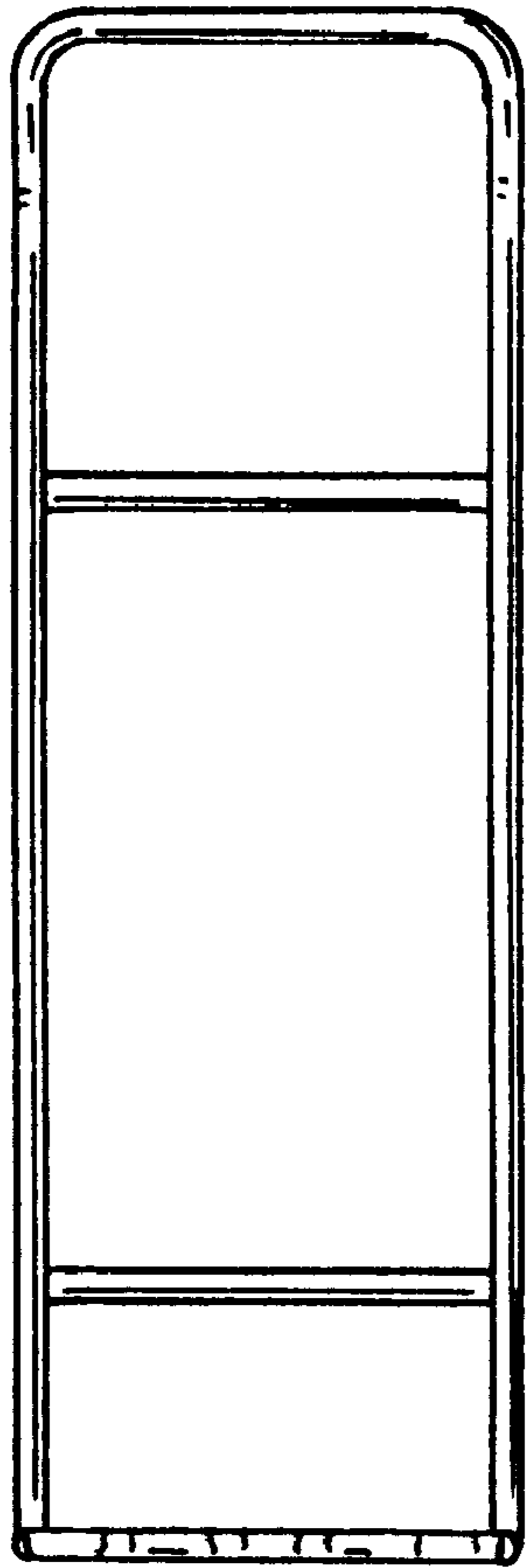


FIG 5

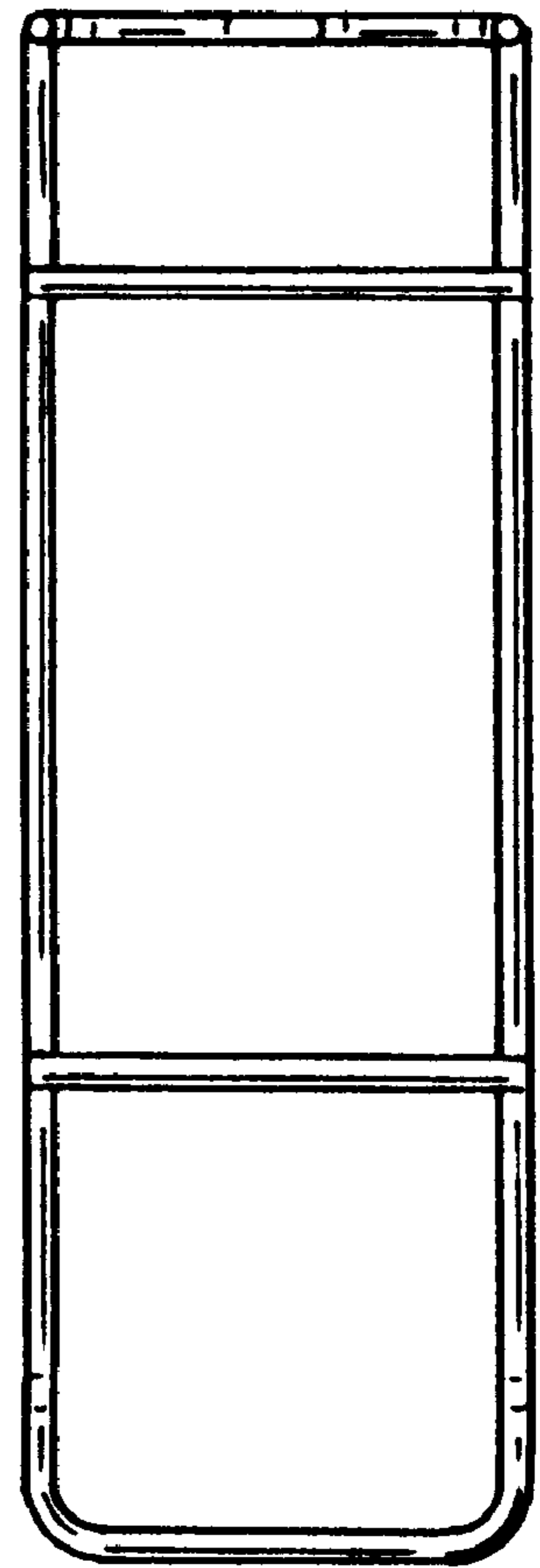


FIG 6

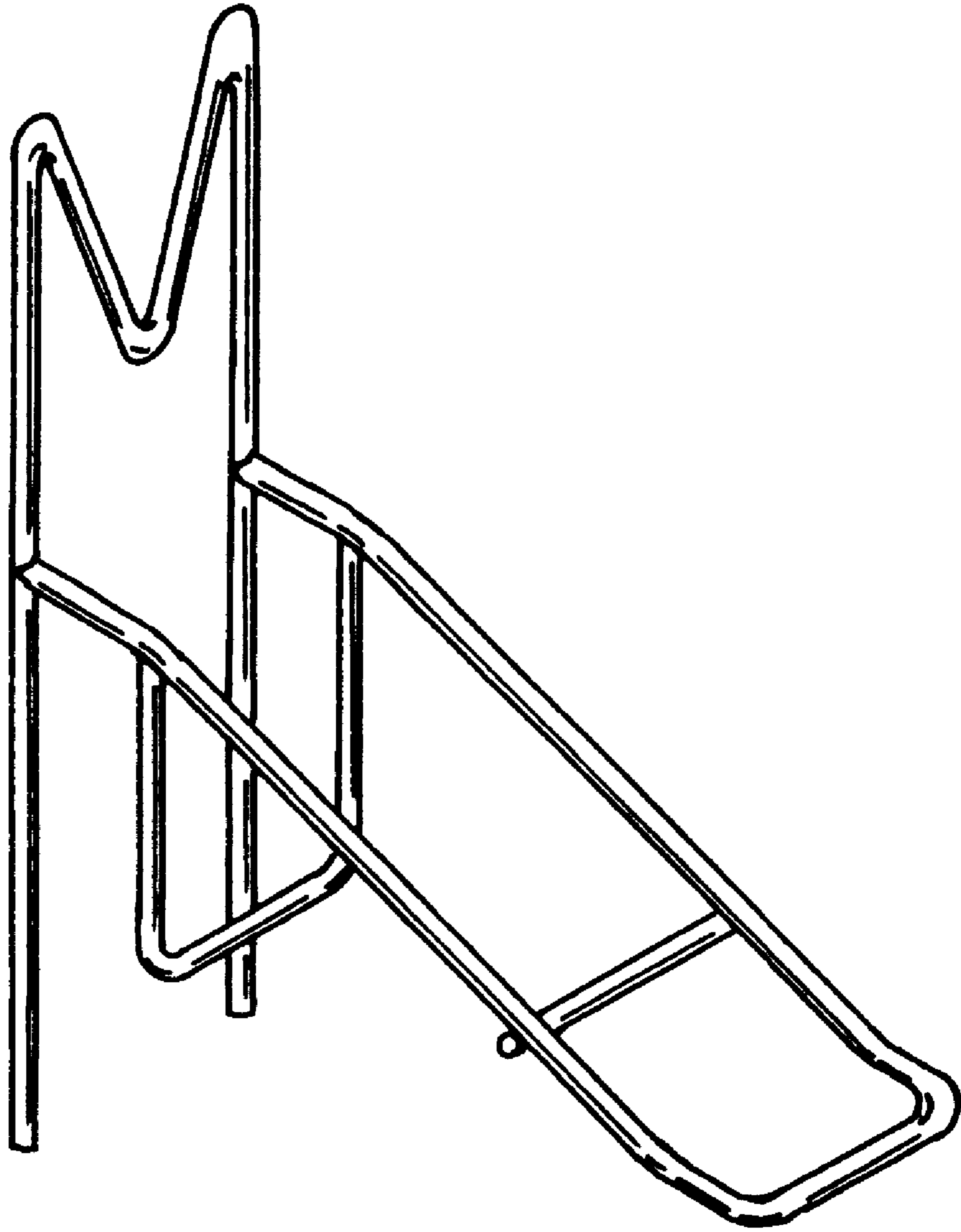


FIG 7

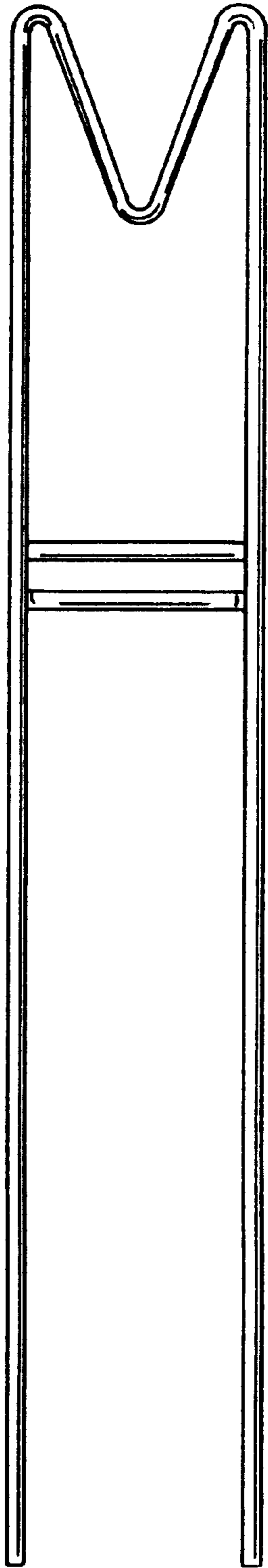


FIG. 8

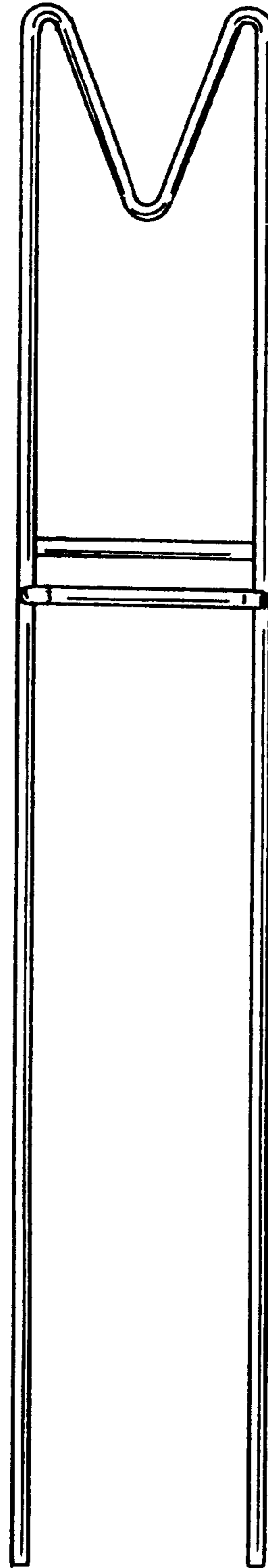


FIG. 9

FIG. 10

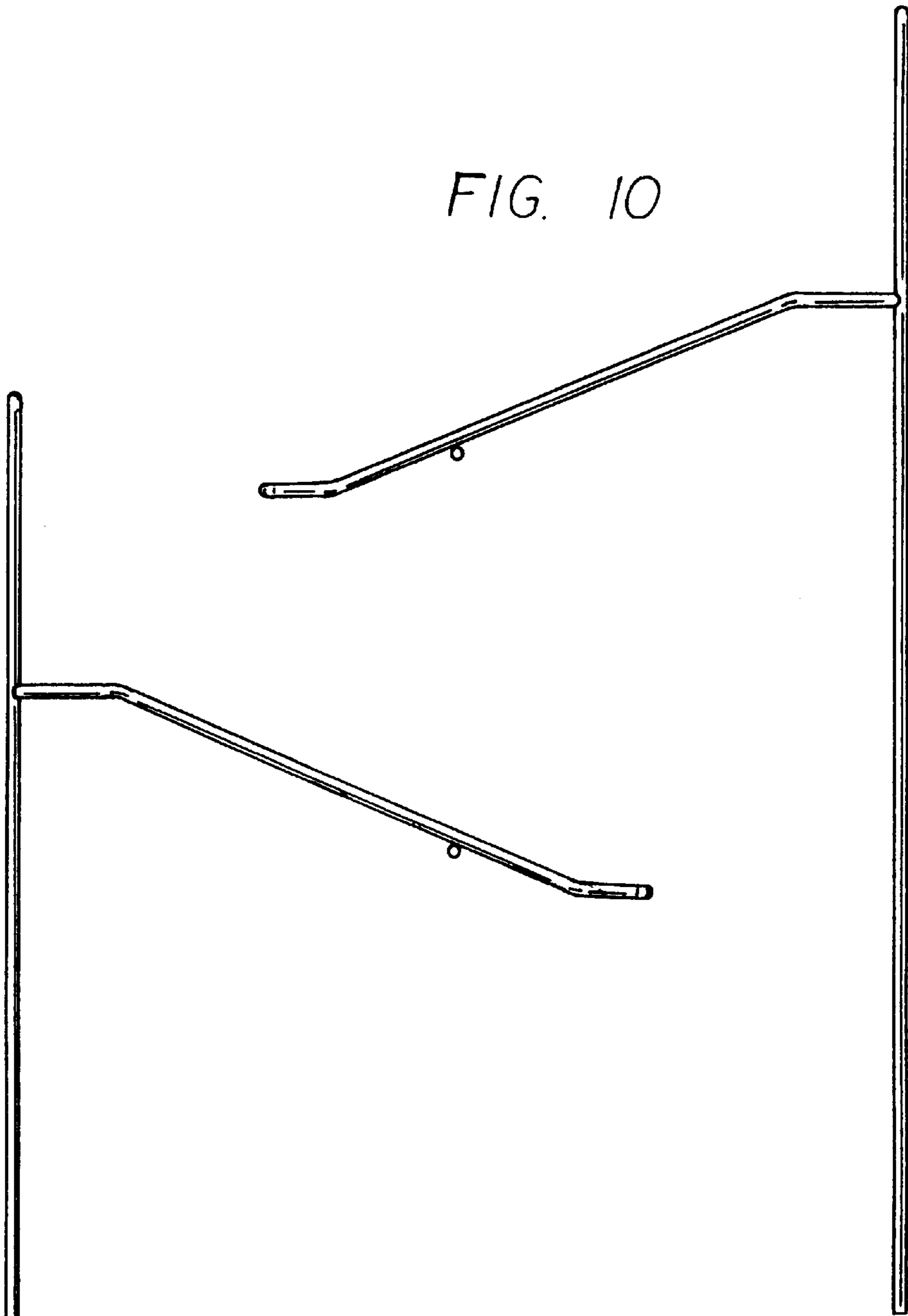
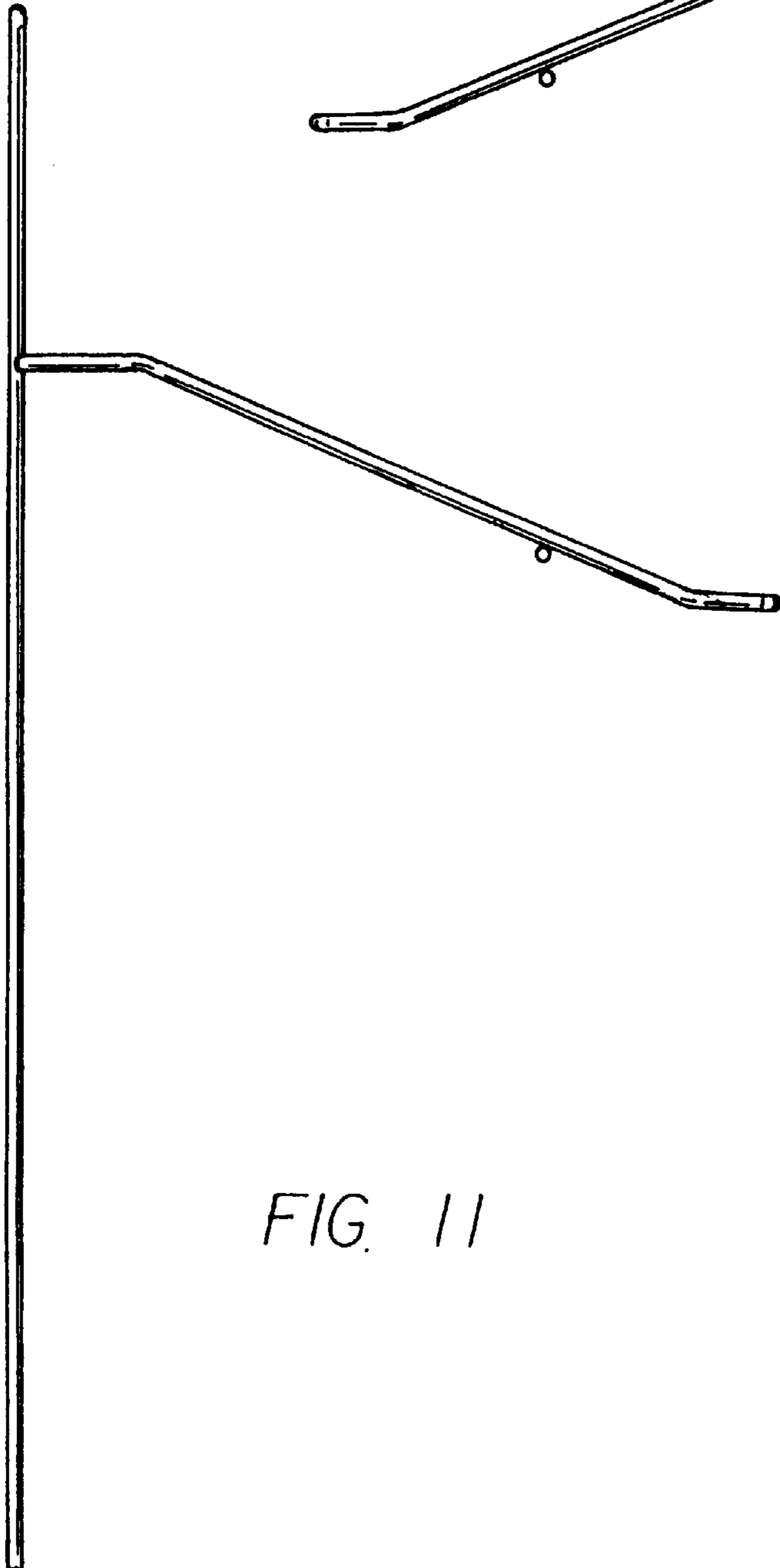


FIG. 11



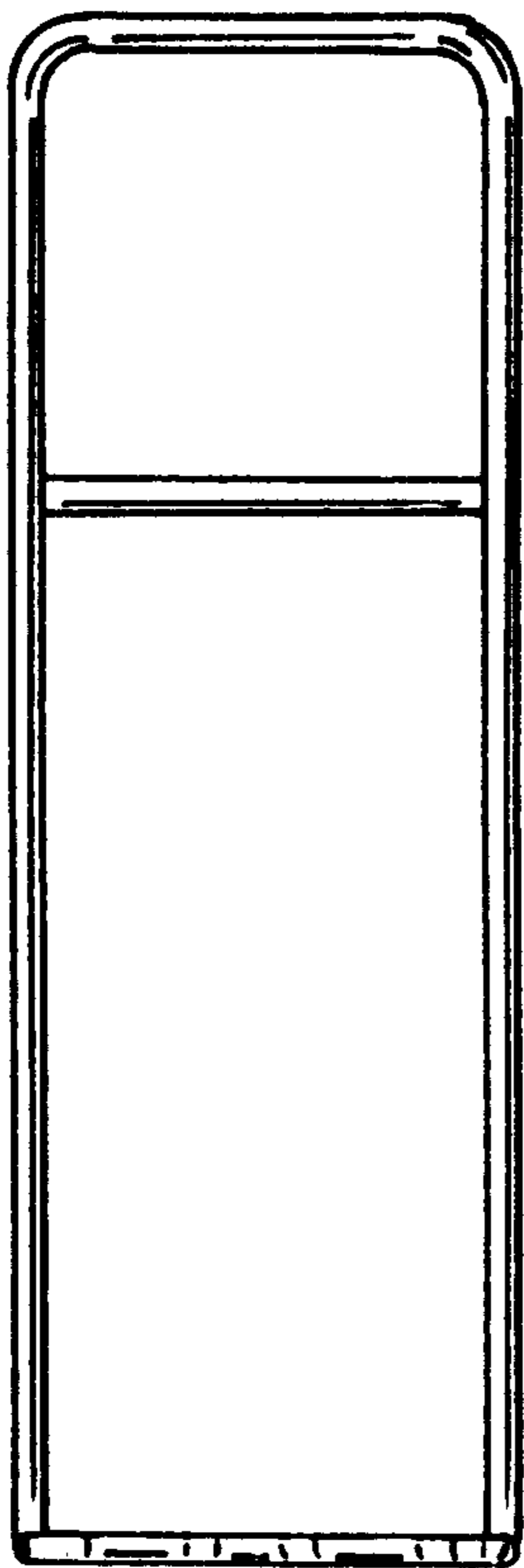


FIG. 12

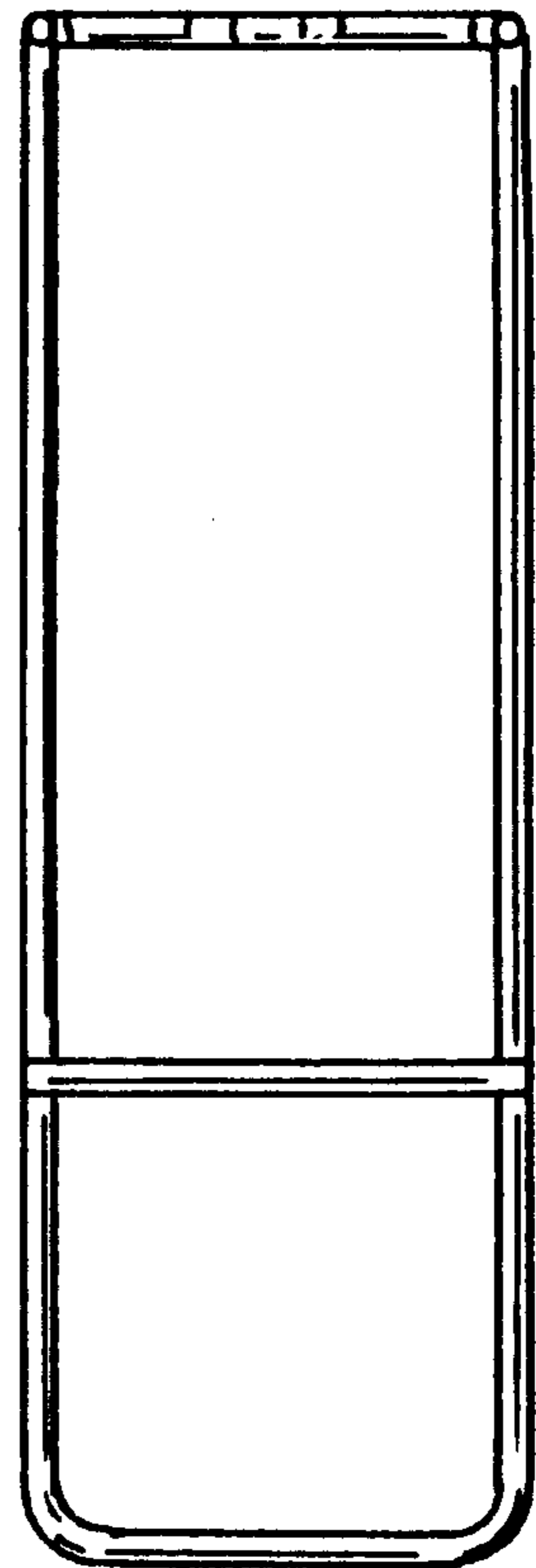


FIG. 13



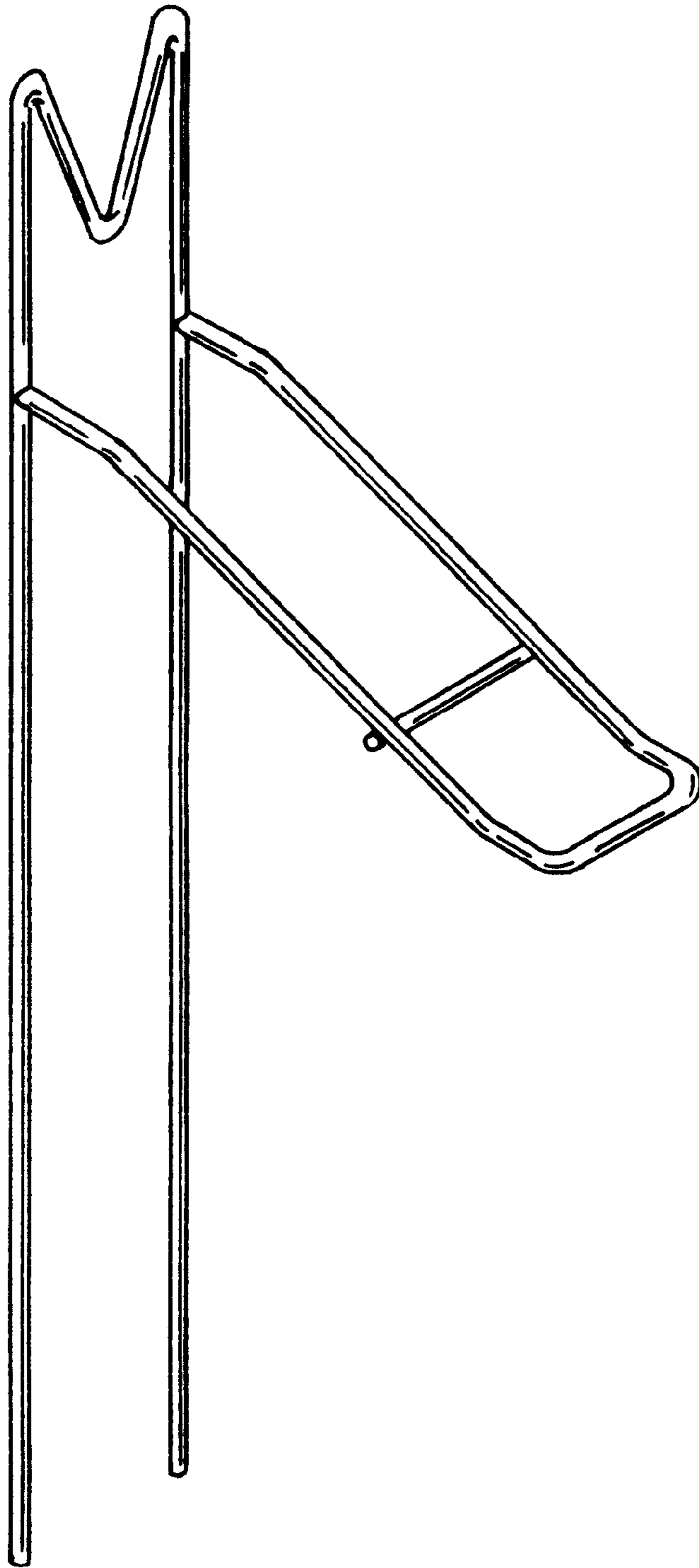


FIG. 14