



US00D459783S

(12) **United States Design Patent**
Tseng

(10) **Patent No.:** **US D459,783 S**

(45) **Date of Patent:** **** Jul. 2, 2002**

(54) **ALARM FOR FISHING**

D403,737 S * 1/1999 Howe et al. D22/139
6,293,043 B1 * 9/2001 Zwettler 43/17

(76) Inventor: **Jui-Tsun Tseng**, No. 417-100, Sec. 4,
Kung Hsueh Road, Tainan (TW)

* cited by examiner

(**) Term: **14 Years**

Primary Examiner—Catherine R. Oliver
(74) *Attorney, Agent, or Firm*—Bacon & Thomas, PLLC

(21) Appl. No.: **29/147,873**

(57) **CLAIM**

(22) Filed: **Sep. 10, 2001**

The ornamental design for an alarm for fishing, as shown and described.

(51) **LOC (7) Cl.** **22-05**

(52) **U.S. Cl.** **D22/134**

(58) **Field of Search** D22/134, 138,
D22/139, 149, 199; D10/116, 120; 43/17,
16

DESCRIPTION

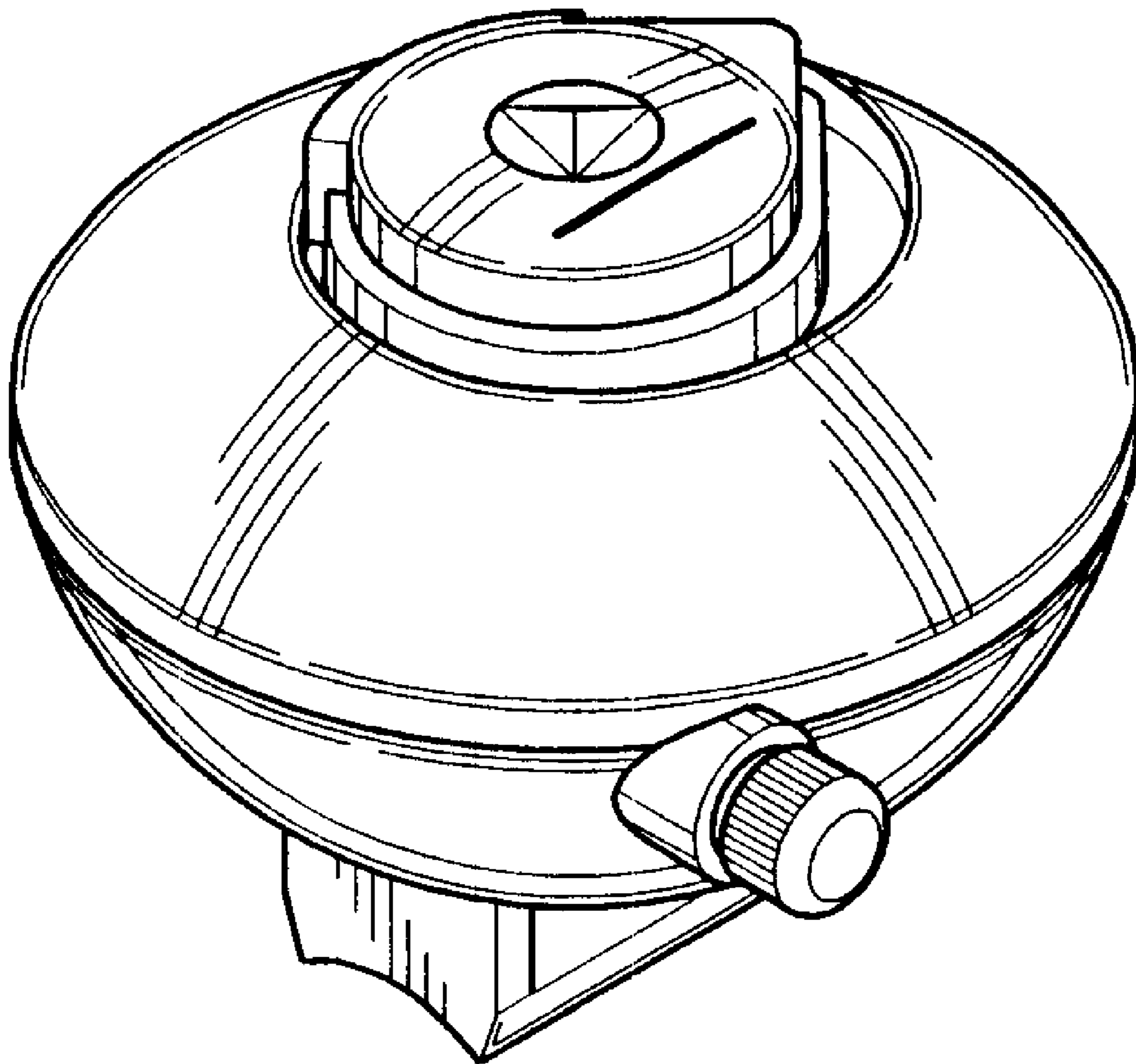
(56) **References Cited**

U.S. PATENT DOCUMENTS

- 3,473,250 A * 10/1969 Leckell 43/17
- 5,125,181 A * 6/1992 Brinton 43/17
- D360,159 S * 7/1995 Moore D10/116
- D401,995 S * 12/1998 Yamagata D22/134

FIG. 1 is a perspective view of an alarm for fishing showing my new design;
FIG. 2 is a right side elevational view thereof;
FIG. 3 is a top plan view thereof;
FIG. 4 is a front elevational view thereof;
FIG. 5 is a bottom plan view thereof;
FIG. 6 is a left side elevational view thereof; and,
FIG. 7 is a rear elevational view.

1 Claim, 2 Drawing Sheets



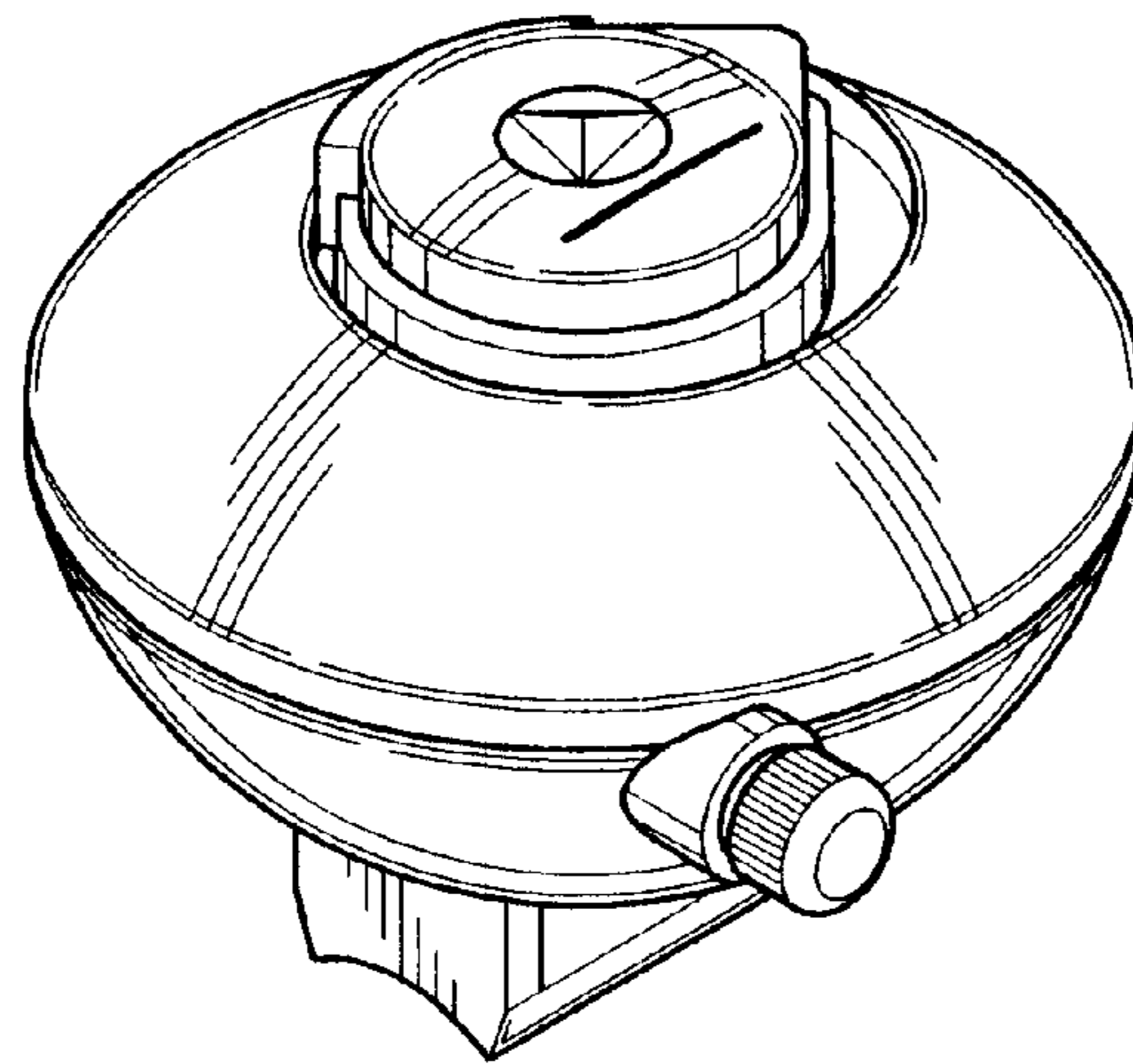


FIG. 1

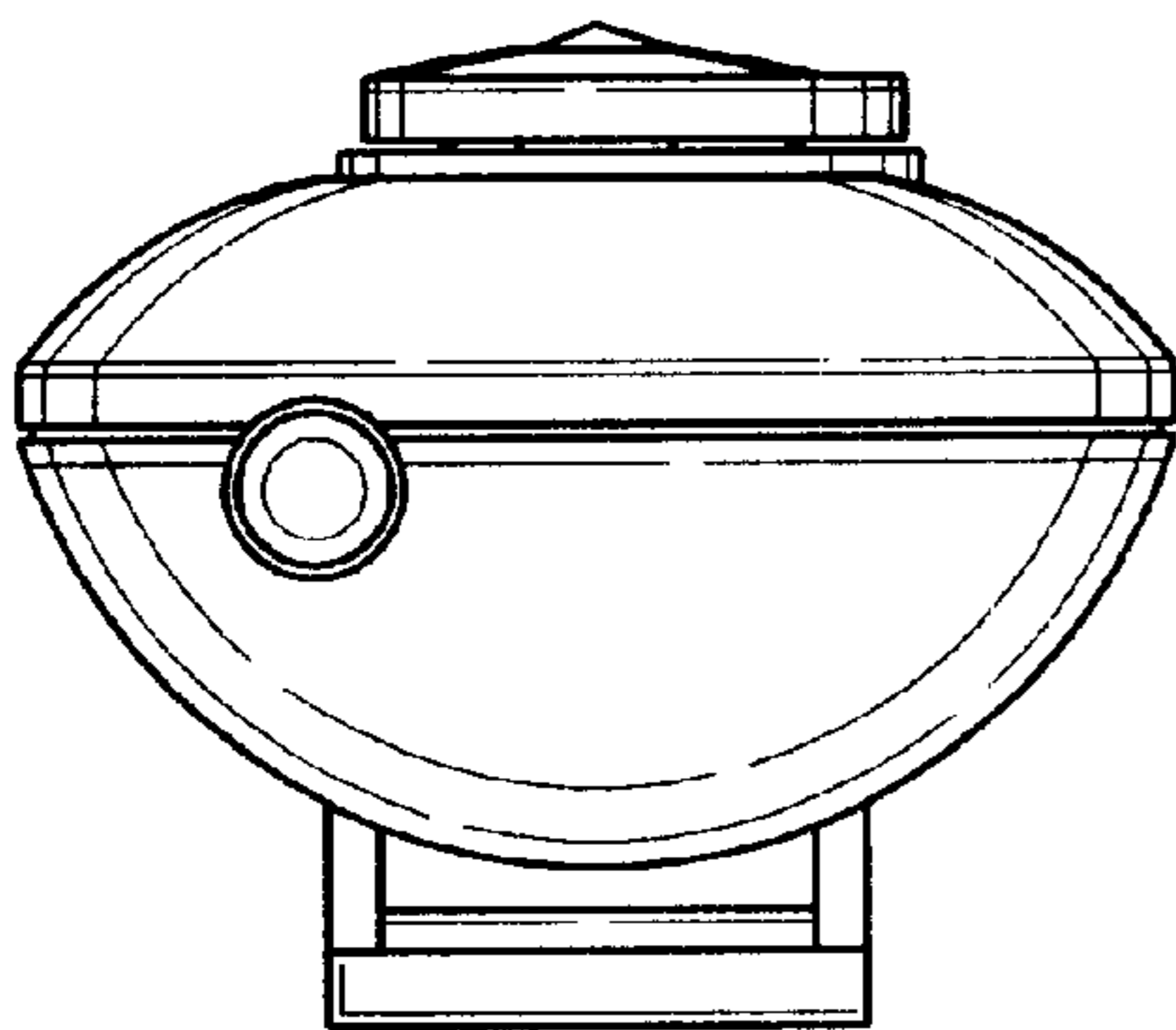


FIG. 2

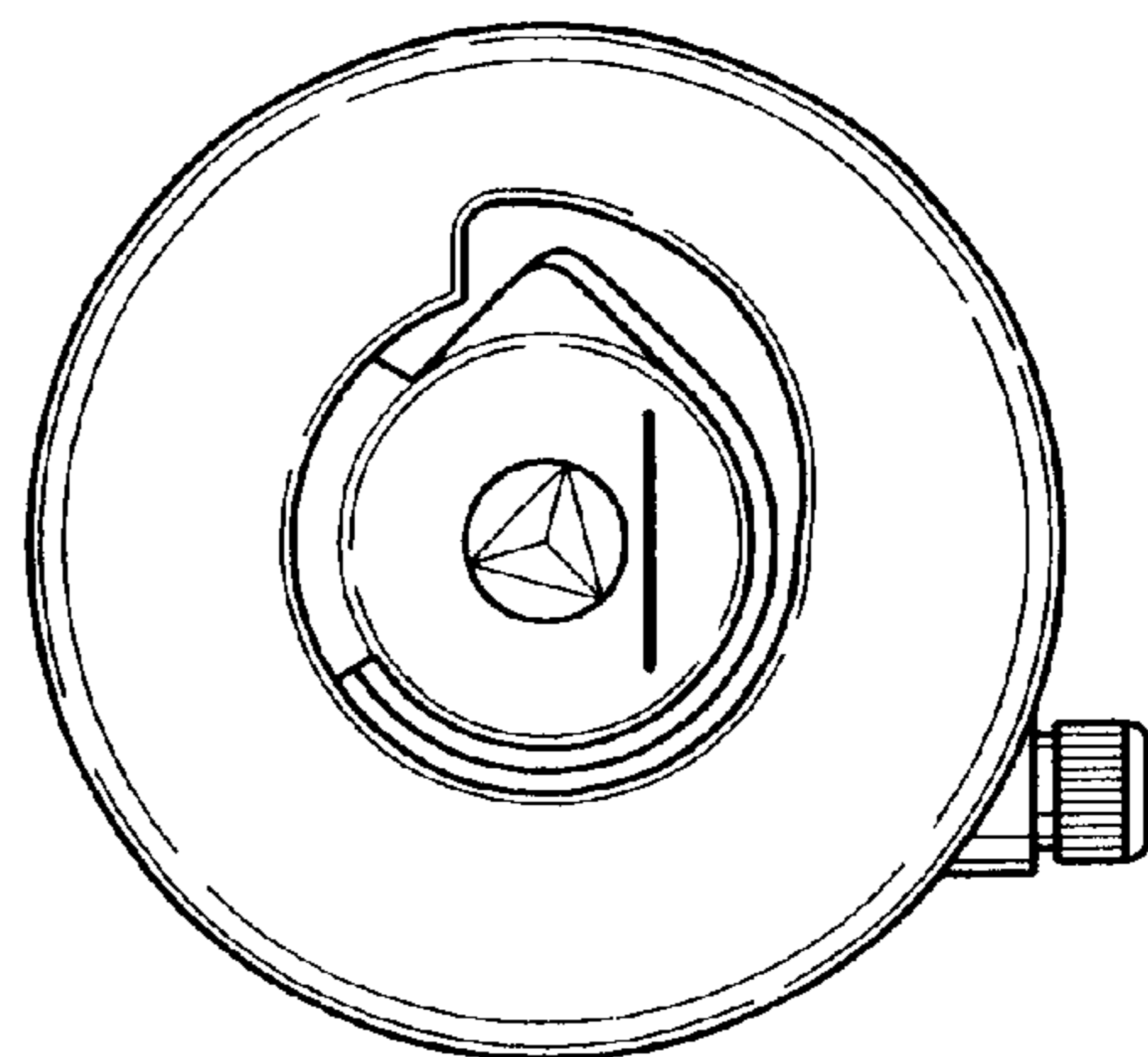


FIG. 3

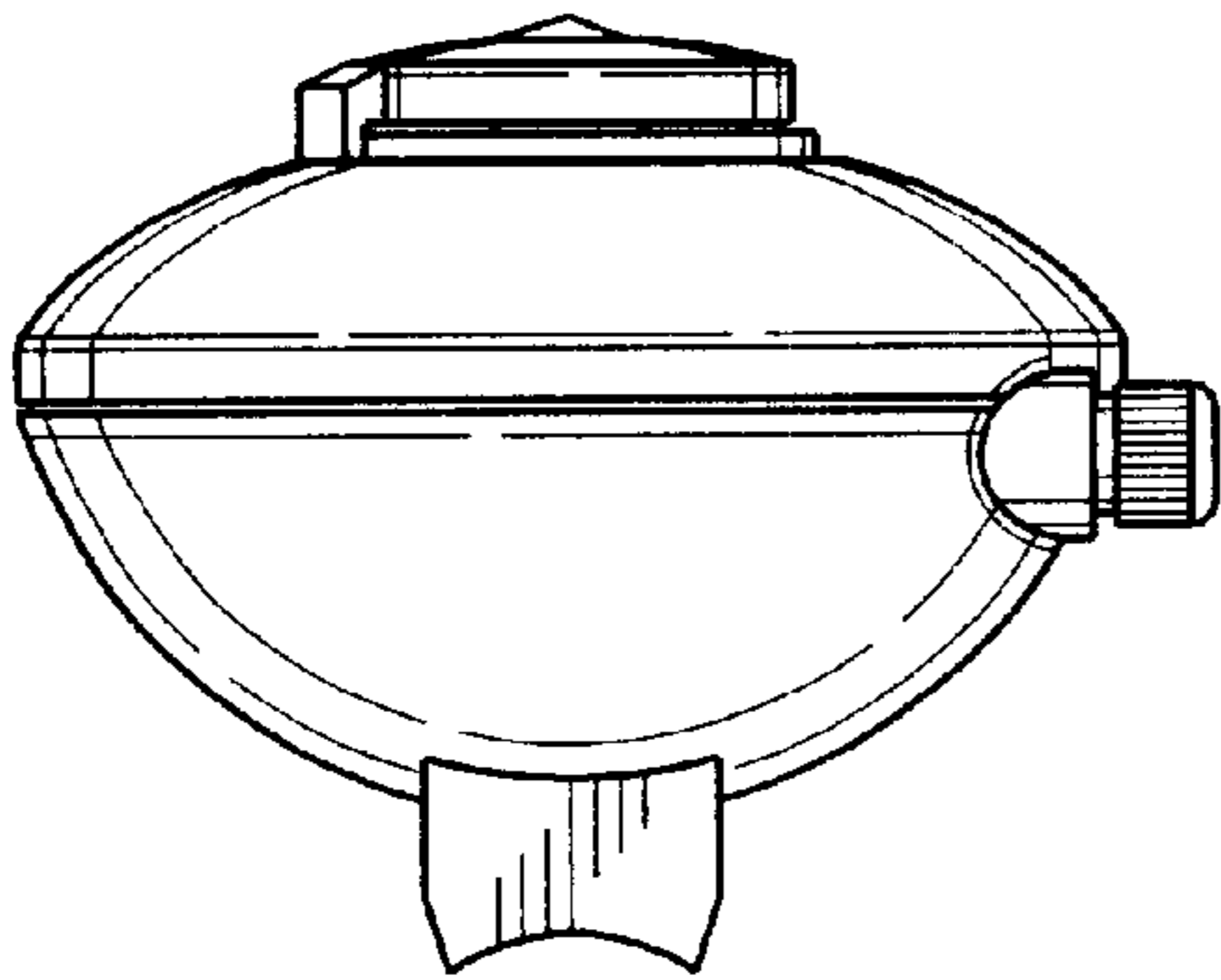


FIG. 4

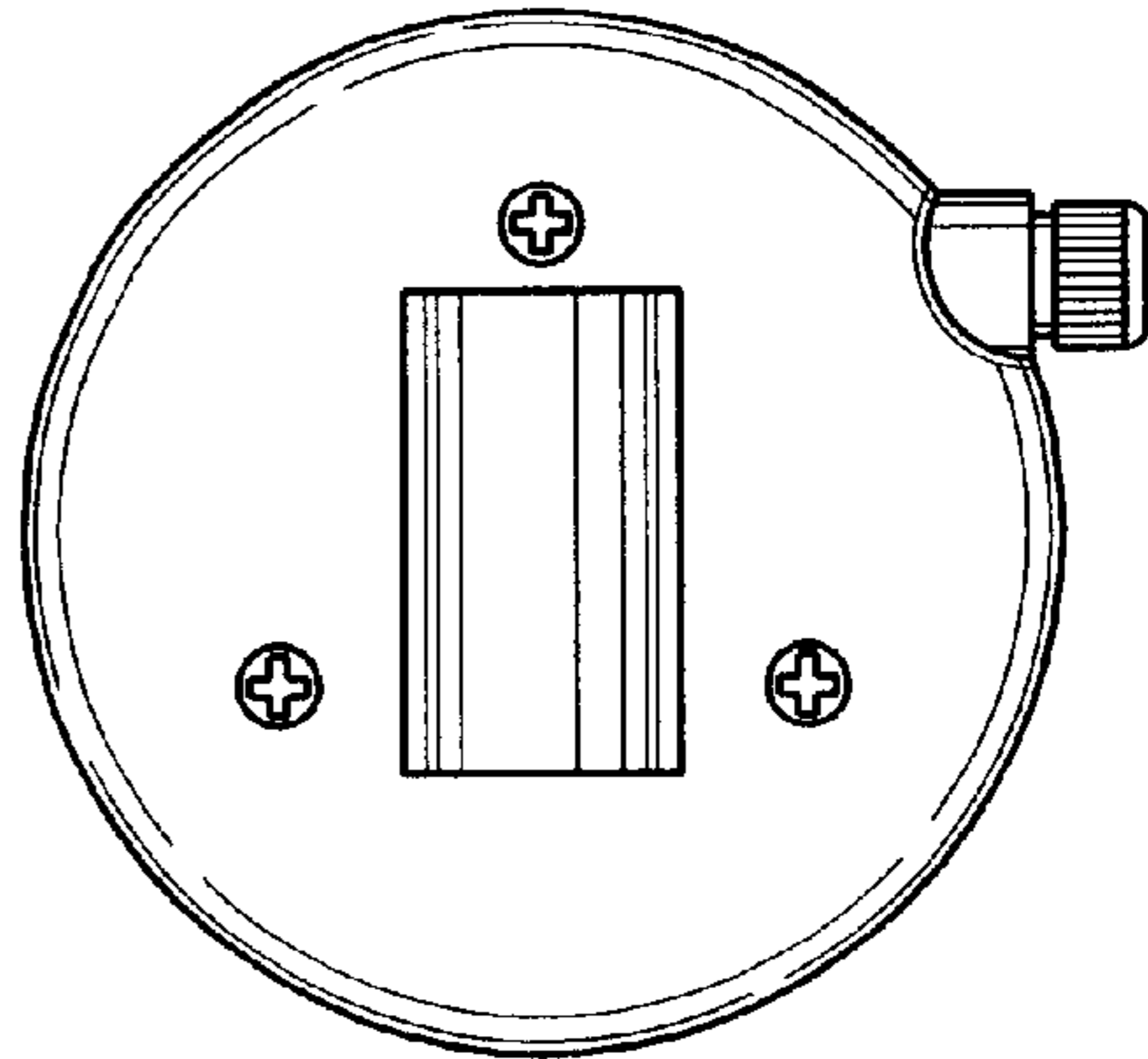


FIG. 5

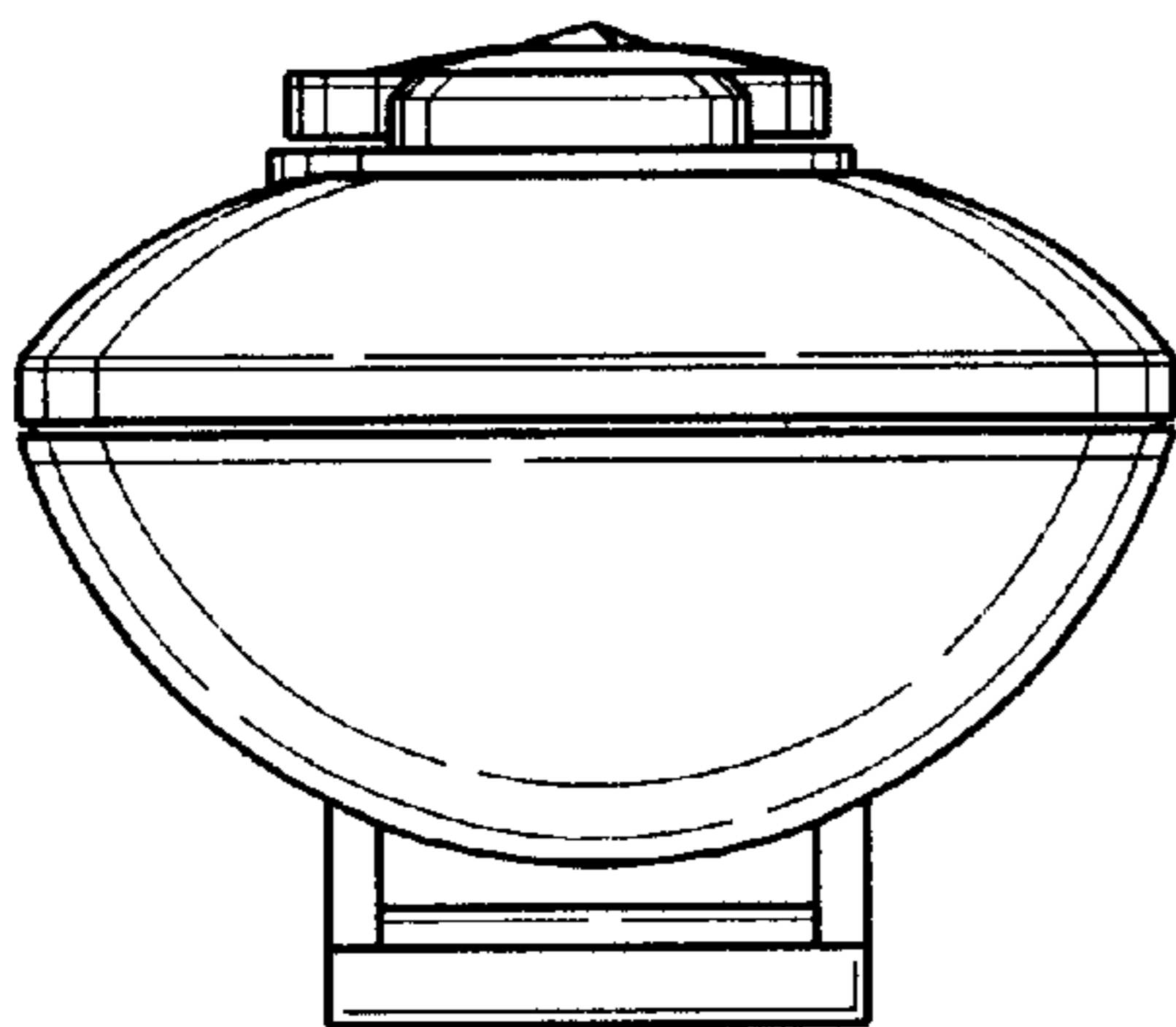


FIG. 6

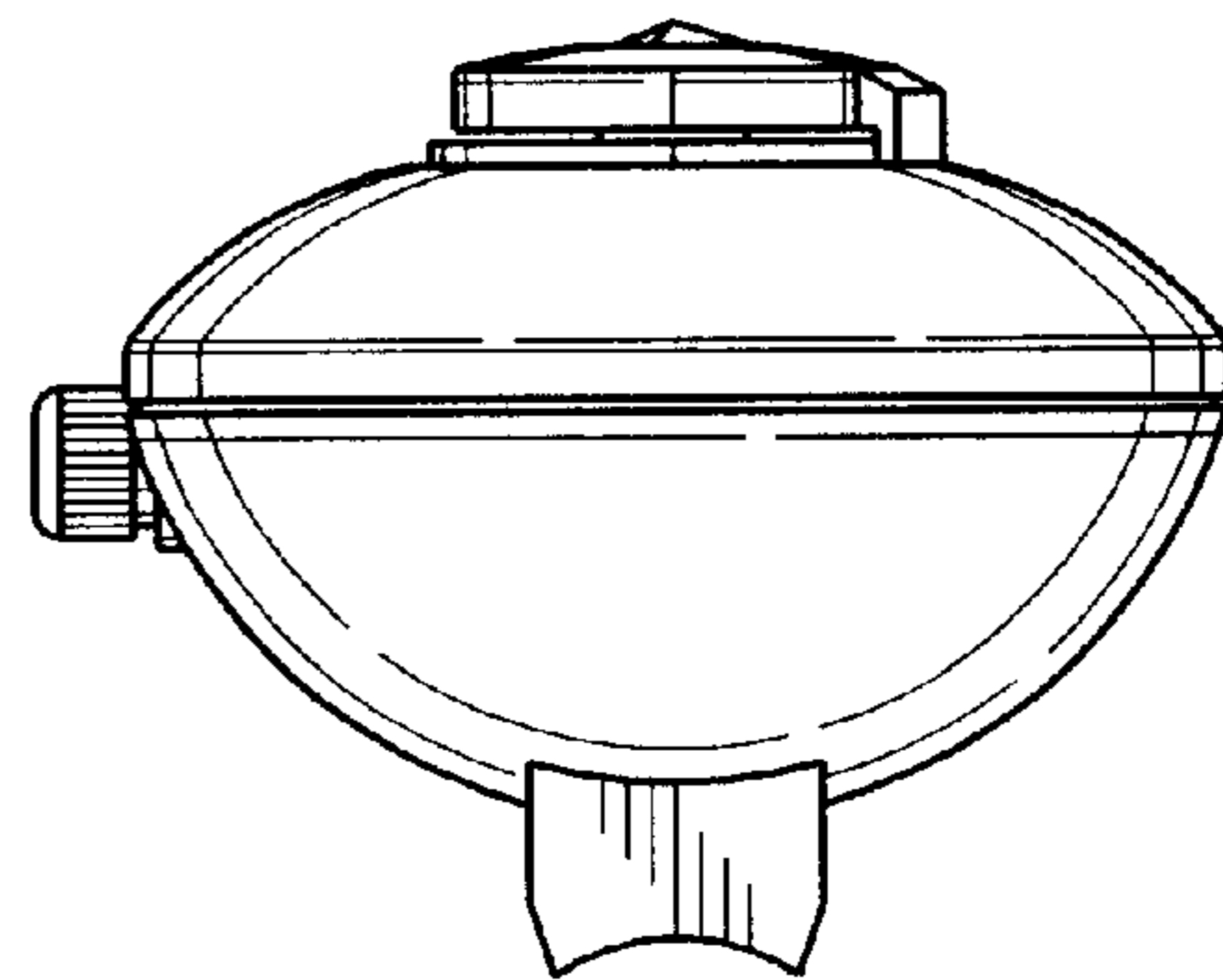


FIG. 7