



US00D459781S

(12) **United States Design Patent**
Rowley et al.

(10) **Patent No.:** **US D459,781 S**

(45) **Date of Patent:** **** Jul. 2, 2002**

(54) **MINNOW TRAP**

(76) Inventors: **Barry Rowley**, deceased, late of Ontario (CA); **by Irene Rowley**, executor, 323 Lescaut Road, Midland, Ontario (CA), L4R 4R6

(**) Term: **14 Years**

(21) Appl. No.: **29/126,752**

(22) Filed: **Jul. 24, 2000**

(51) **LOC (7) Cl.** **22-06**

(52) **U.S. Cl.** **D22/121**

(58) **Field of Search** D22/121, 119,
D22/136, 134; 43/54.1, 55, 56, 57, 65,
122; D3/260, 904, 905

(56) **References Cited**

U.S. PATENT DOCUMENTS

D46,993 S	*	2/1915	Getz	D22/121
3,906,654 A	*	9/1975	Leslie	43/65
4,452,006 A	*	6/1984	Steck et al.	43/122
D299,946 S	*	2/1989	Dorsey	D22/134

OTHER PUBLICATIONS

Plastilite Corporation, Minnow Trap (Plastic) 1996, p. 25.*
NetCraft Fishing Tackle, All Plastic Minnow Trap, 1967, p. 67.*

* cited by examiner

Primary Examiner—Catherine R. Oliver
(74) *Attorney, Agent, or Firm*—Arne I. Fors

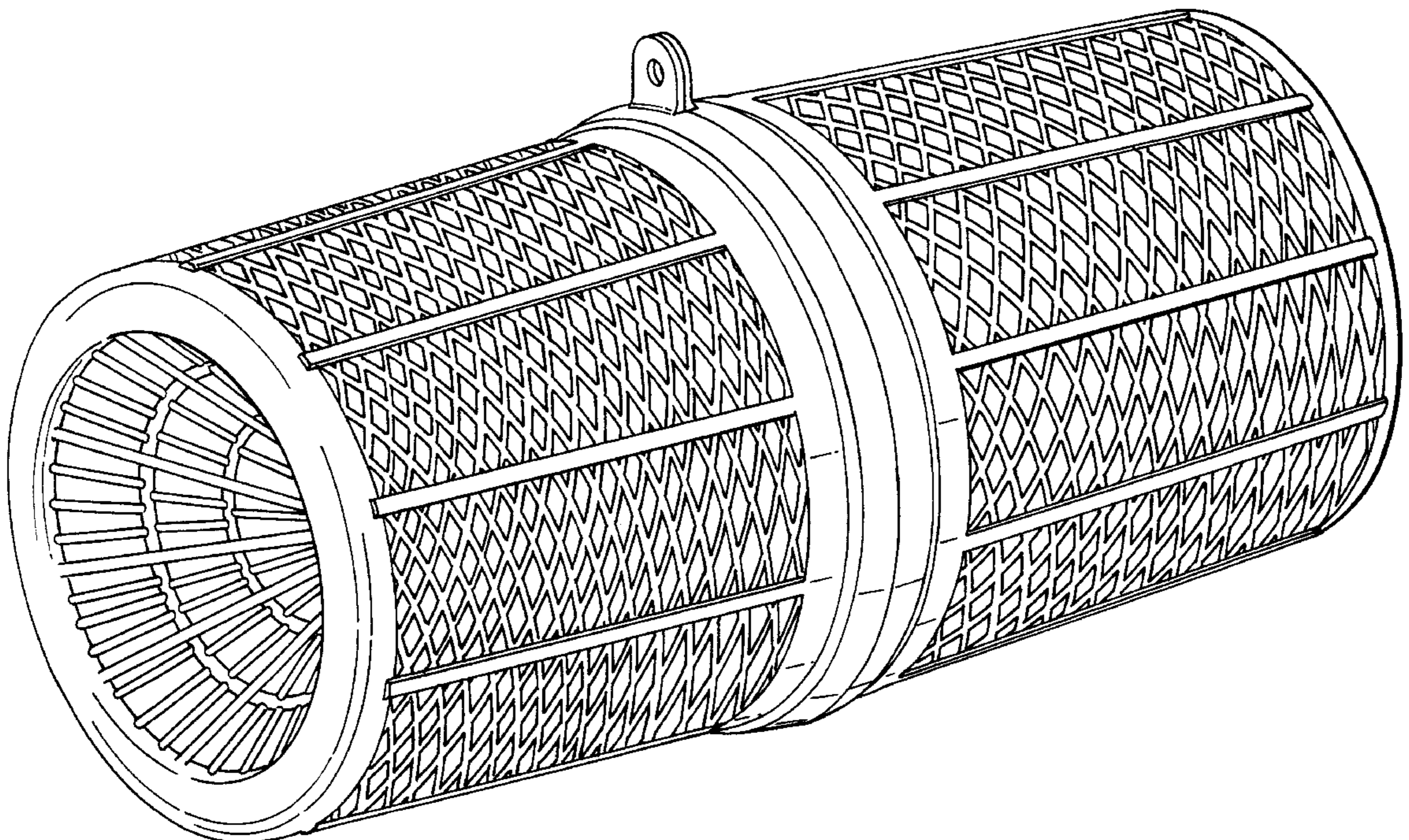
(57) **CLAIM**

The ornamental design for a minnow trap, as shown and described.

DESCRIPTION

FIG. 1 is an upper perspective view of a minnow trap, showing my new design;
FIG. 2 is a side elevation view thereof;
FIG. 3 is an opposite side elevation view thereof;
FIG. 4 is a bottom plan view thereof; and,
FIG. 5 is an end elevation thereof.

1 Claim, 5 Drawing Sheets



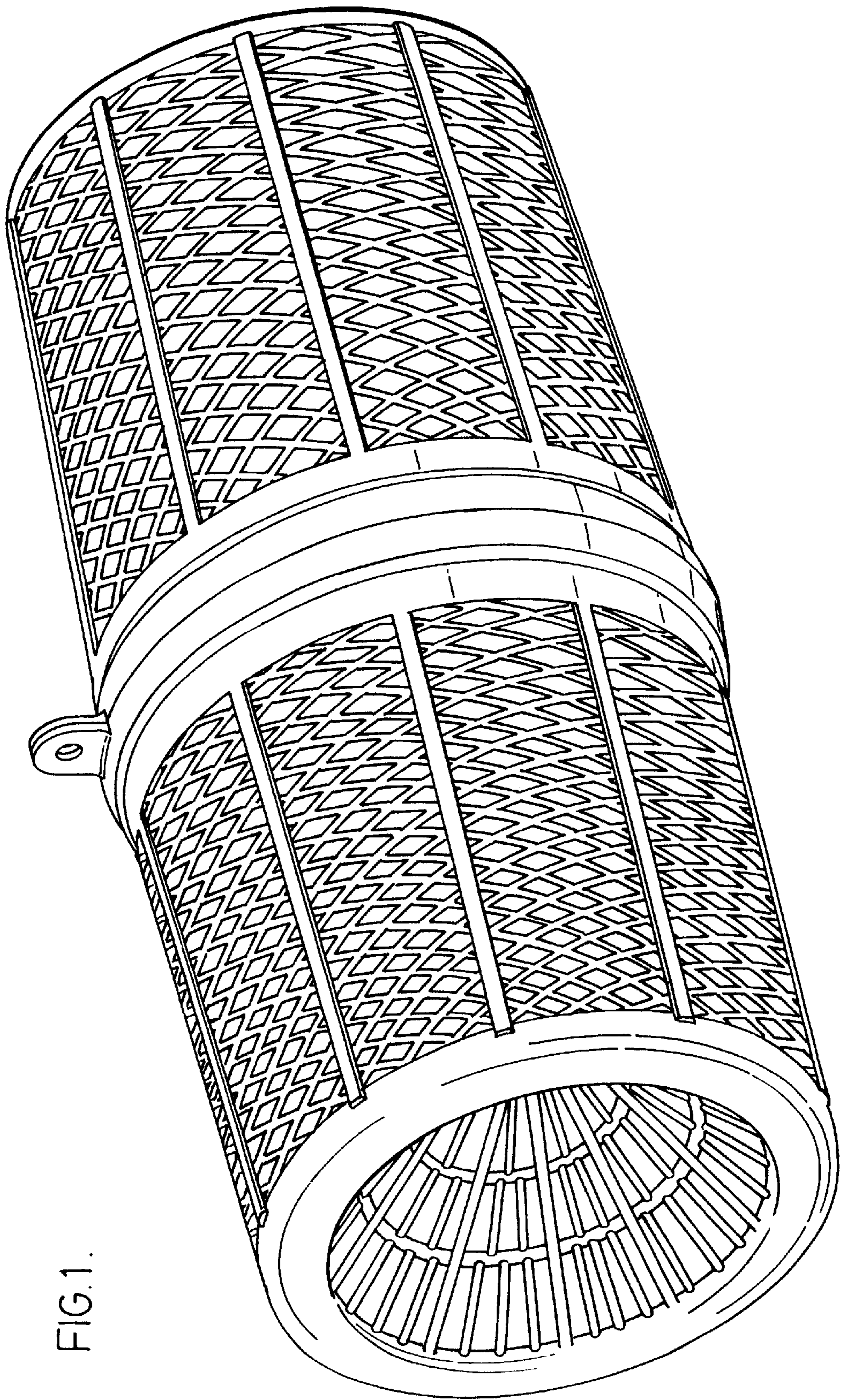


FIG.1.

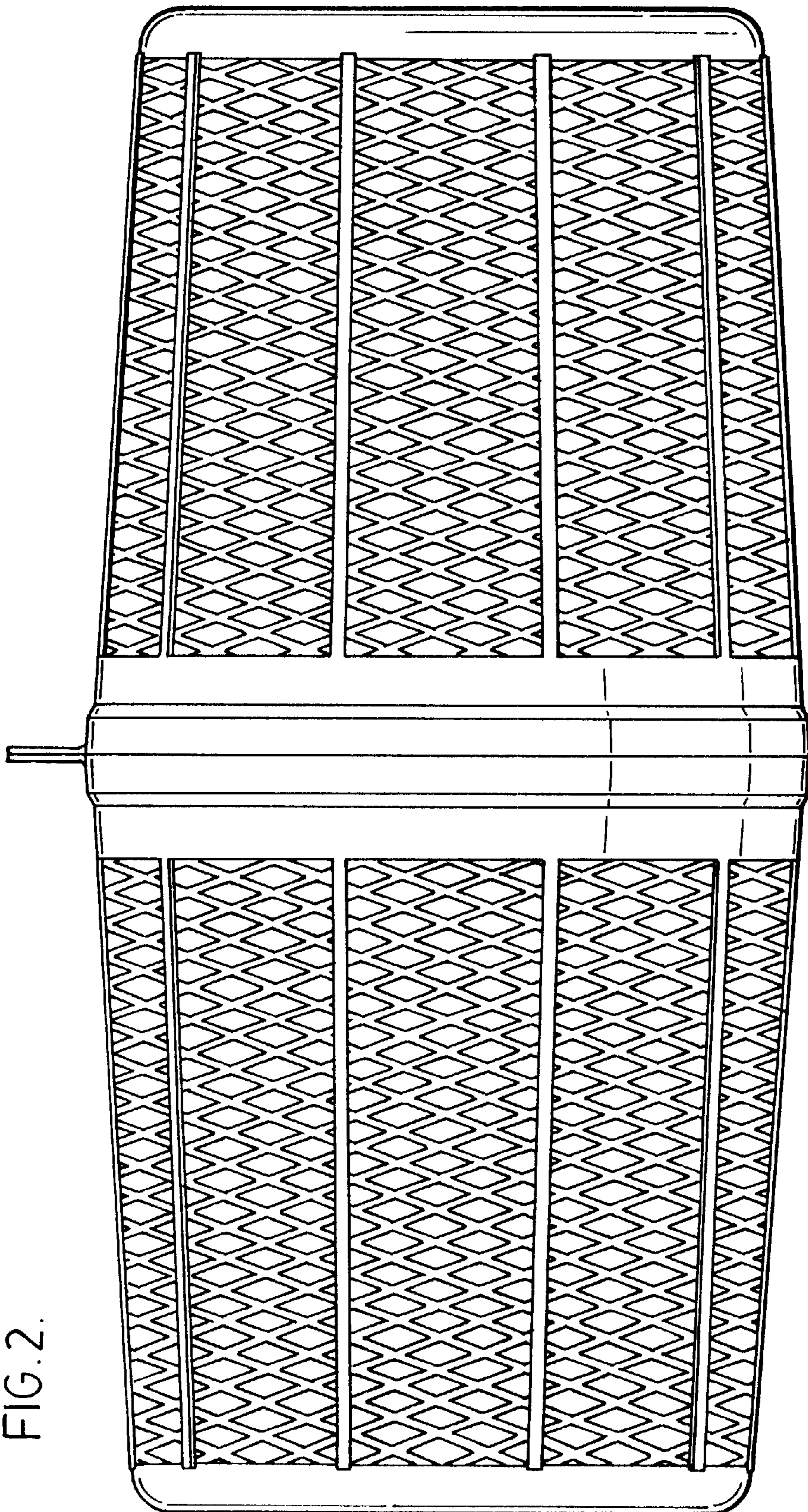


FIG. 2.

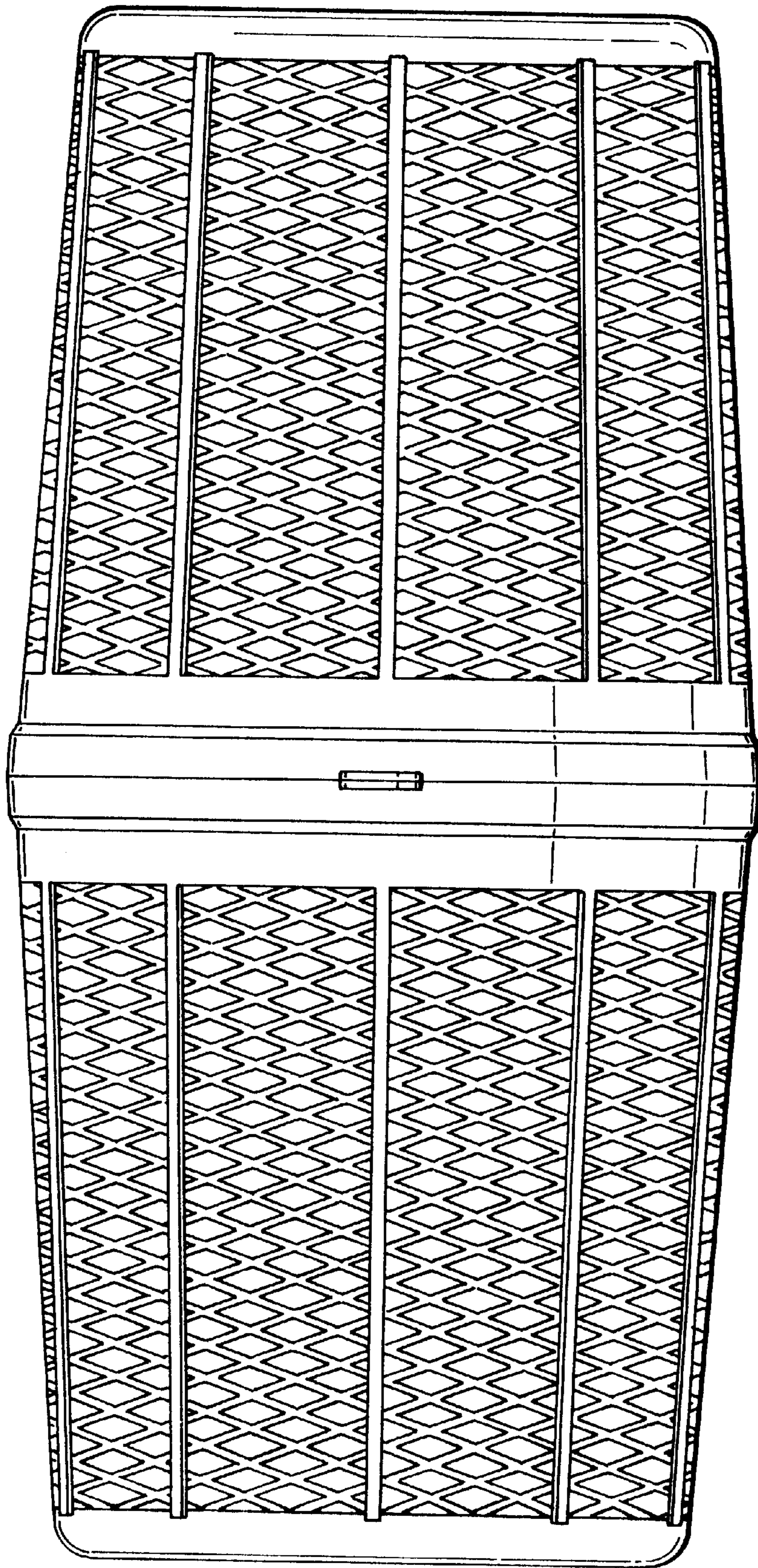


FIG. 3.

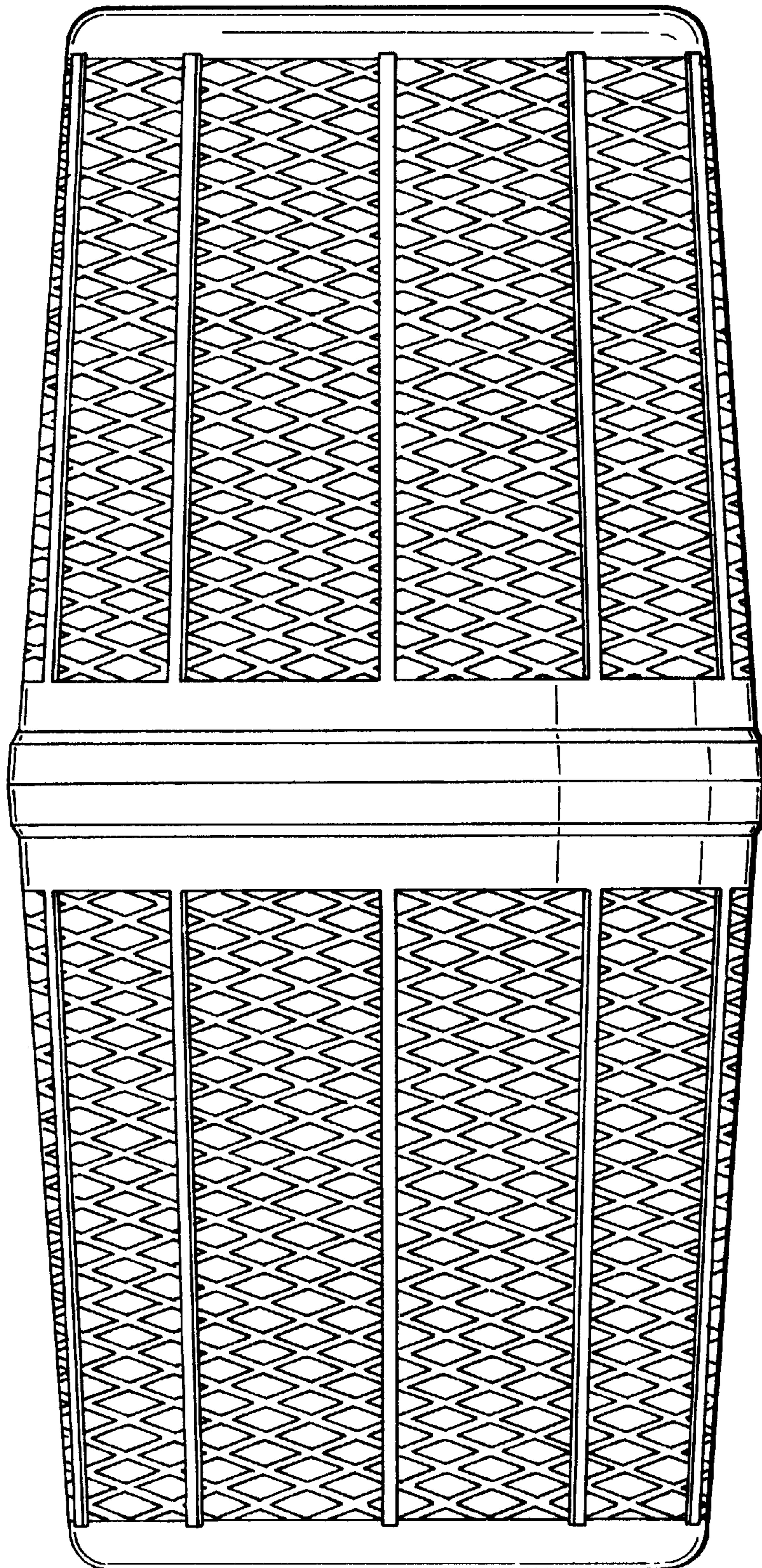


FIG. 4.

FIG. 5.

