



US00D459778S

(12) **United States Design Patent**
Grönborg

(10) **Patent No.:** **US D459,778 S**

(45) **Date of Patent:** **** Jul. 2, 2002**

(54) **SKATE GUARD**

(75) **Inventor:** **Jan Grönborg, Huddinge (SE)**

(73) **Assignee:** **Svensk Sportutveckling AB, Huddinge (SE)**

(**) **Term:** **14 Years**

(21) **Appl. No.:** **29/124,215**

(22) **Filed:** **Jun. 2, 2000**

(30) **Foreign Application Priority Data**

Dec. 2, 1999 (SE) 99-2169

(51) **LOC (7) Cl.** **21-02**

(52) **U.S. Cl.** **D21/772**

(58) **Field of Search** D21/760-765,
D21/771-772, 776; 280/809, 811, 825,
11.18

(56) **References Cited**

U.S. PATENT DOCUMENTS

- 2,642,291 A * 6/1953 Condon
- 3,338,588 A * 8/1967 Couture 280/825
- 4,252,345 A * 2/1981 Cabral 280/825

- 5,573,275 A * 11/1996 Smith 280/811
- 5,941,568 A * 8/1999 White, II D21/772
- 6,312,017 B1 * 11/2001 Hardwick 280/811

* cited by examiner

Primary Examiner—Raphael Barkai

(74) *Attorney, Agent, or Firm*—Dykema Gossett PLLC

(57) **CLAIM**

An ornamental design for a skate guard, as shown and described.

DESCRIPTION

FIG. 1 is a left side elevation of the ornamental design for a skate guard with mounted locking device according to my design;

FIG. 2 is a front elevation thereof;

FIG. 3 is a perspective view thereof;

FIG. 4 is a perspective view of the locking device;

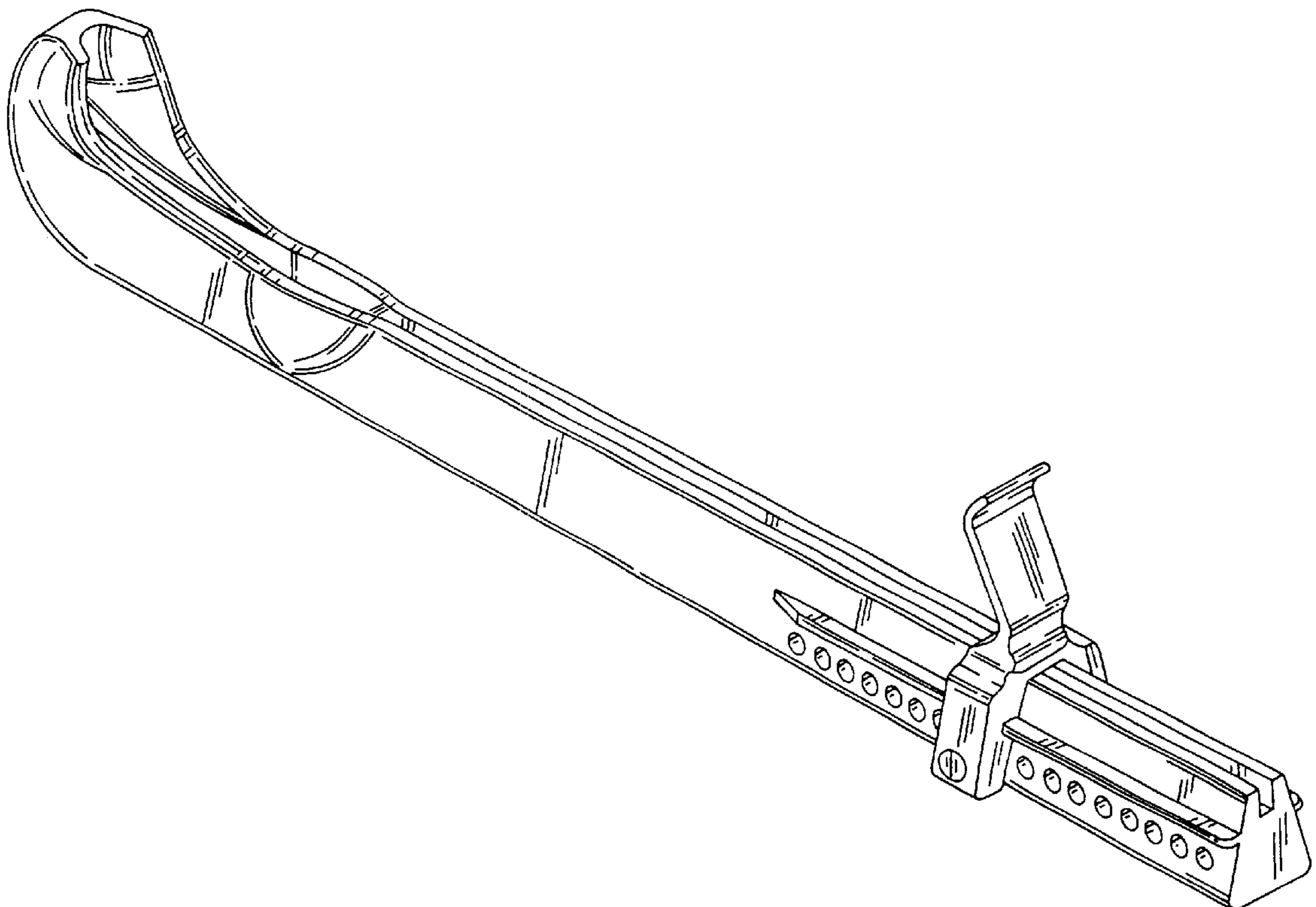
FIG. 5 is a left side elevation of the locking device;

FIG. 6 is a right side elevation of the locking device; and,

FIG. 7 is a front elevation of the locking device.

The locking device has been shown separately in FIGS. 4-7 for ease of illustration only.

1 Claim, 3 Drawing Sheets



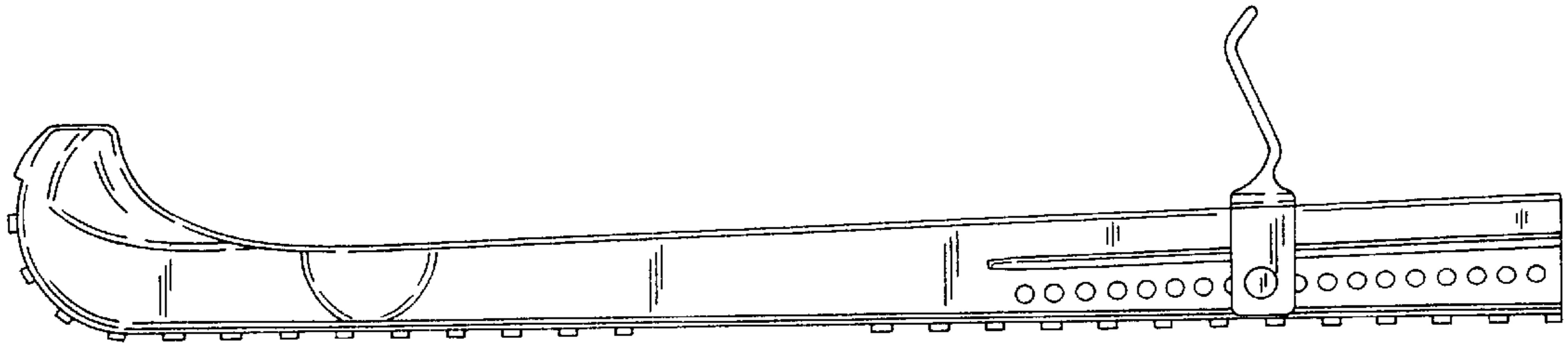


FIG. 1

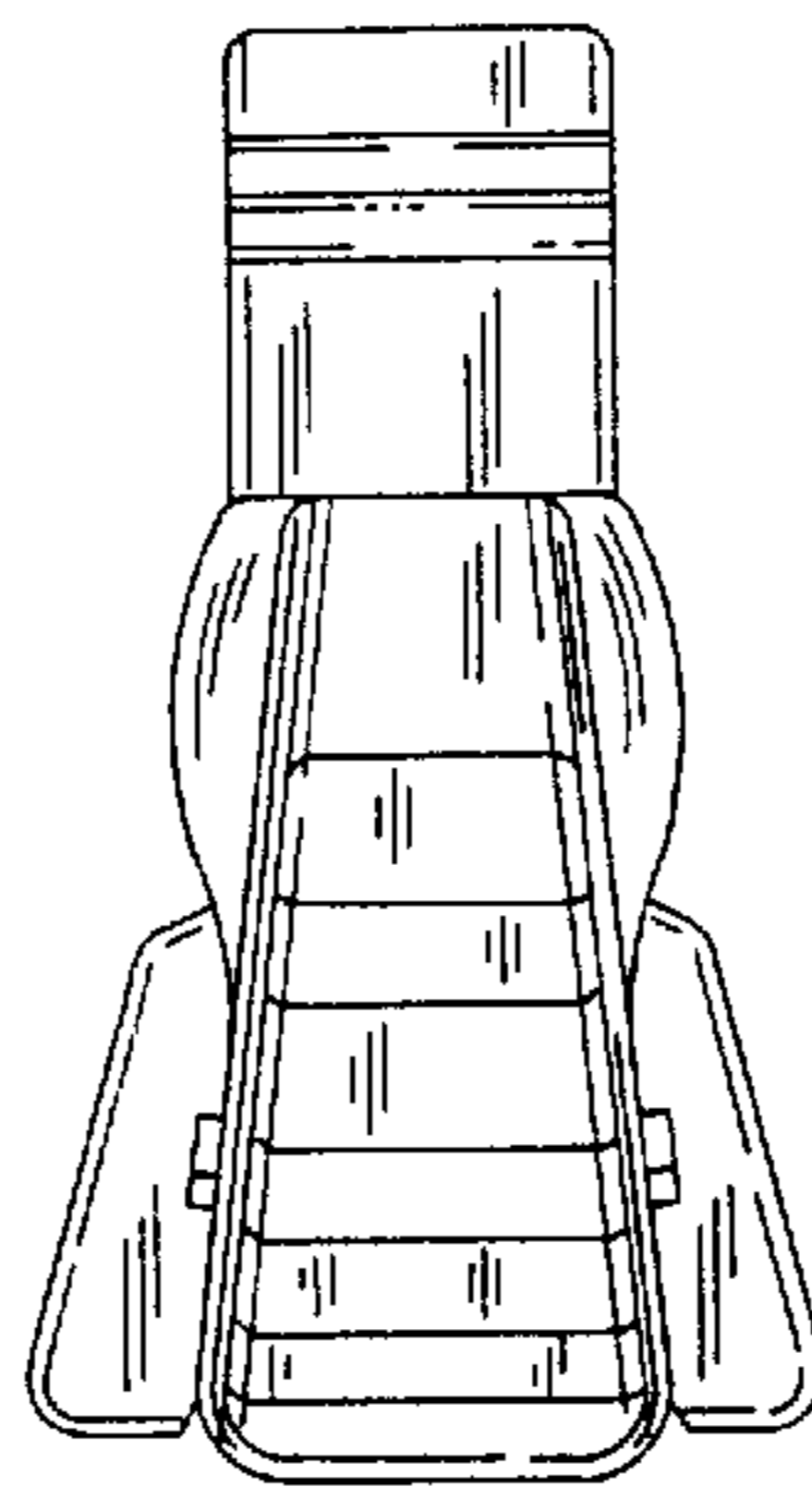


FIG. 2

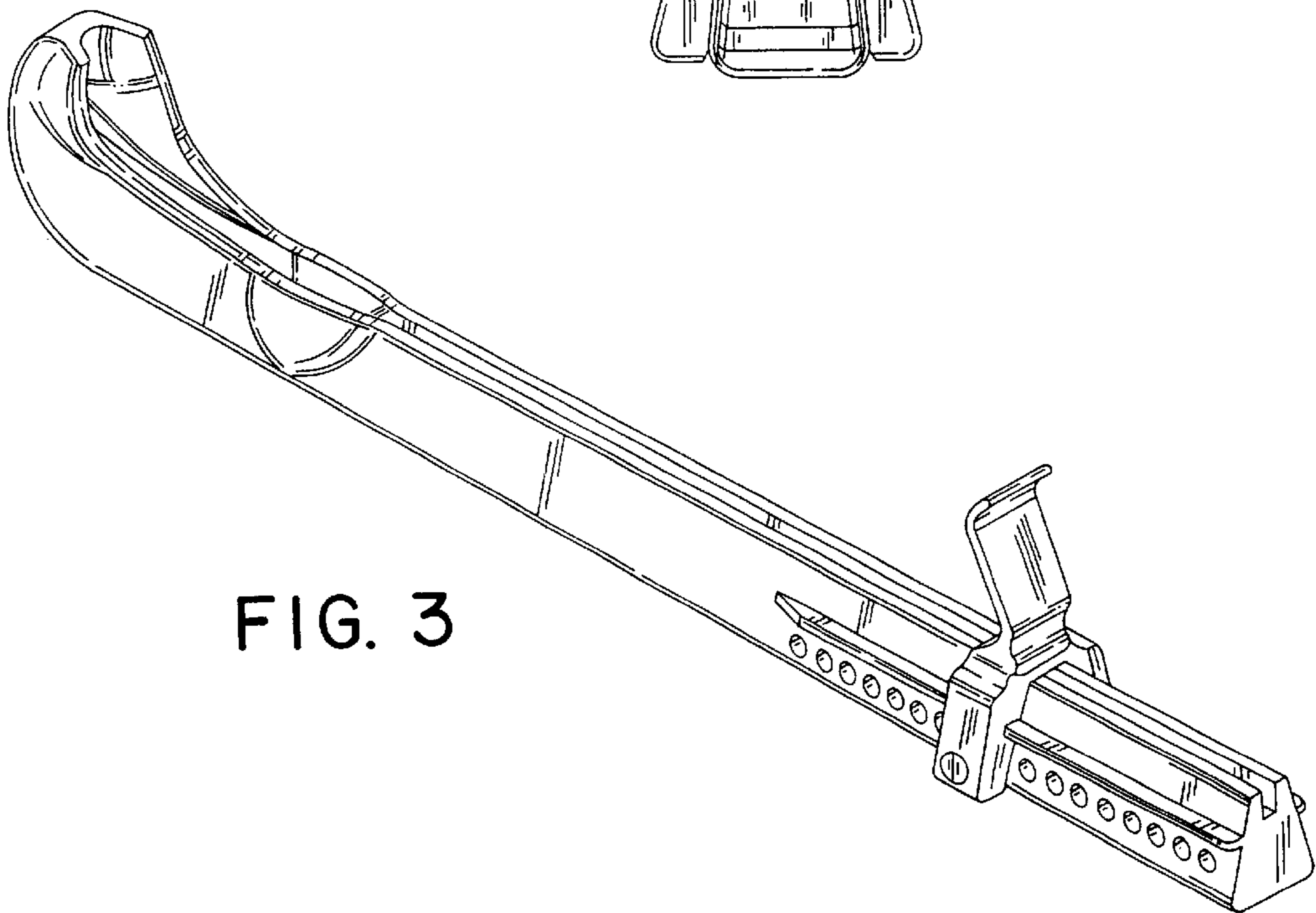


FIG. 3

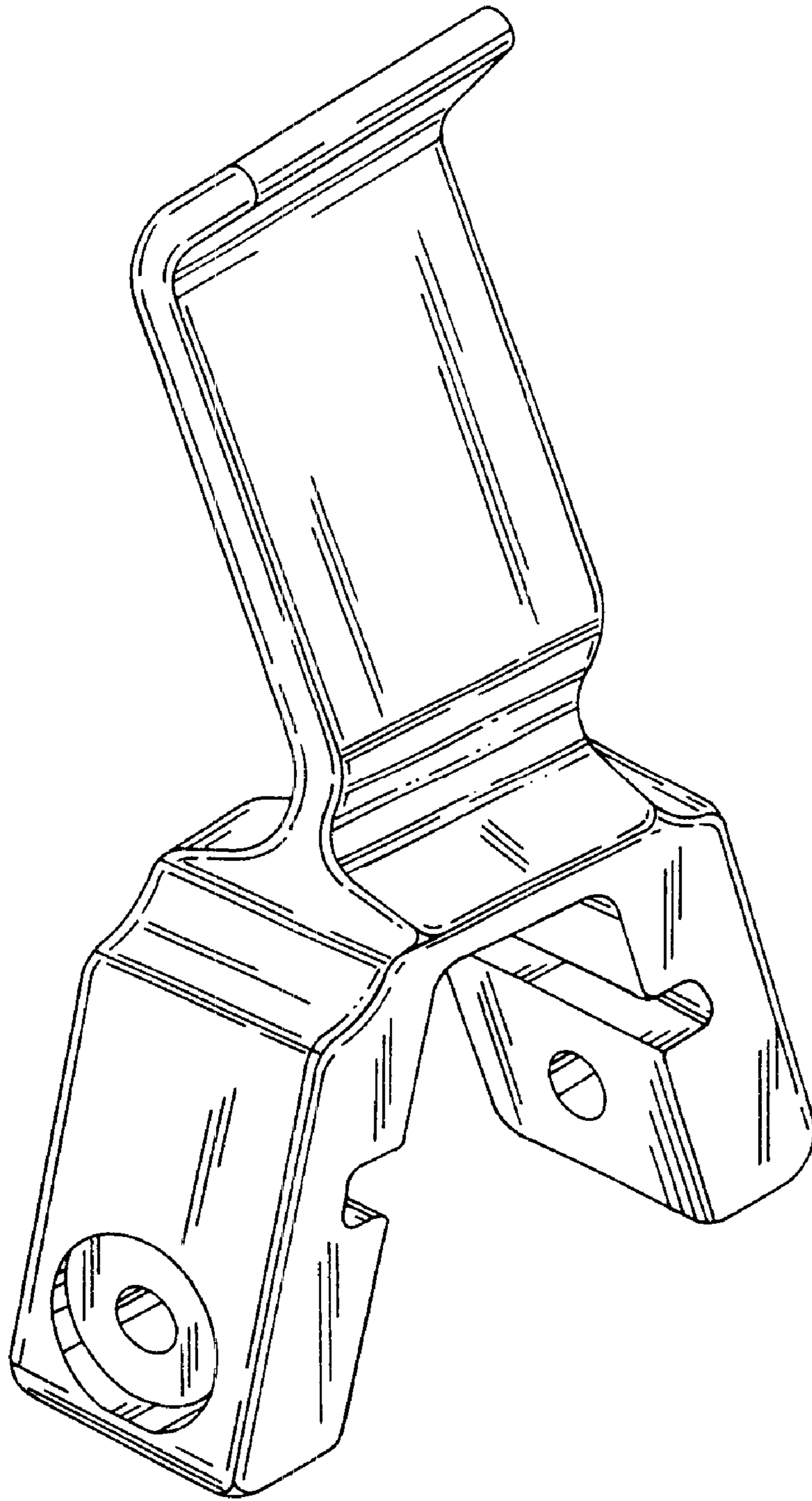


FIG. 4

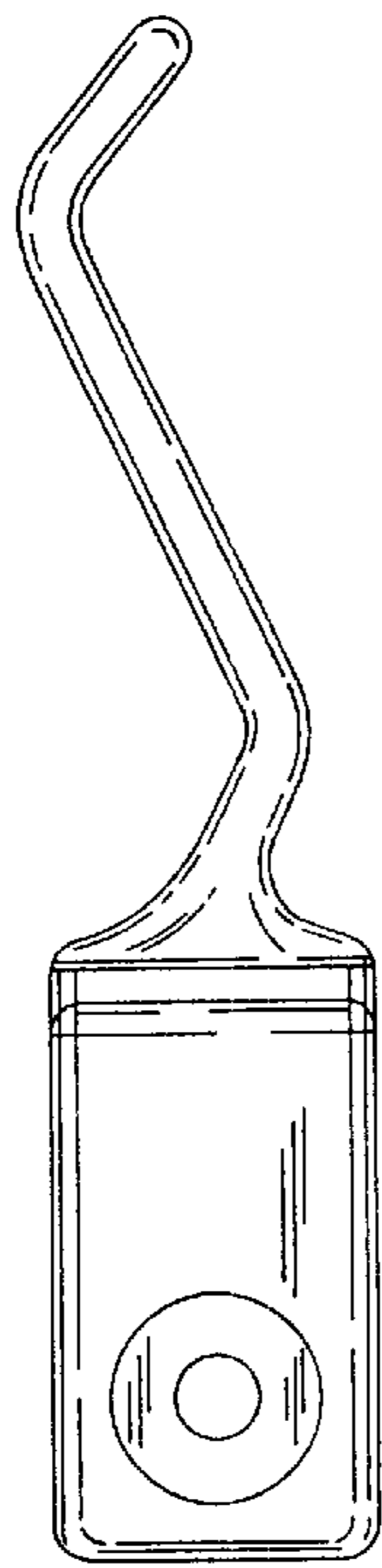


FIG. 5

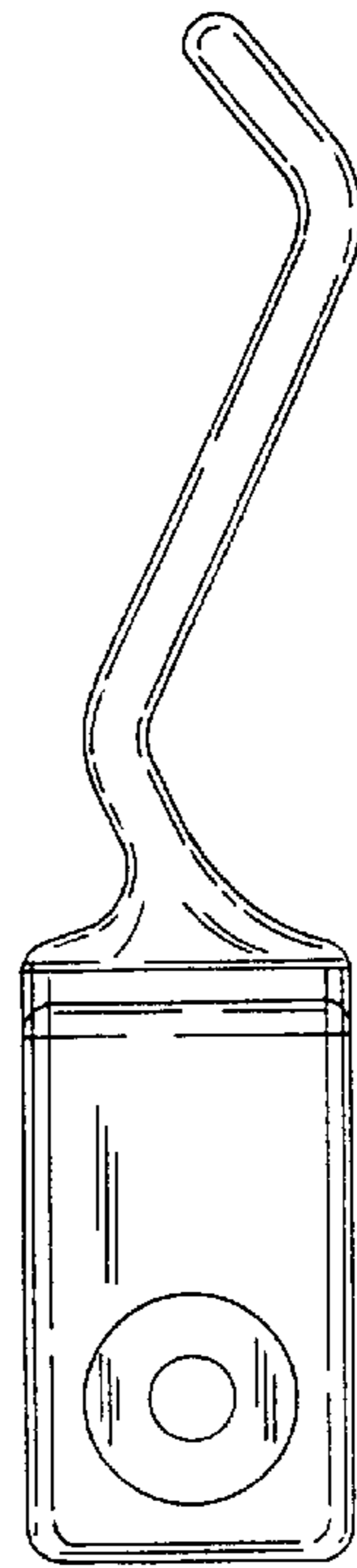


FIG. 6

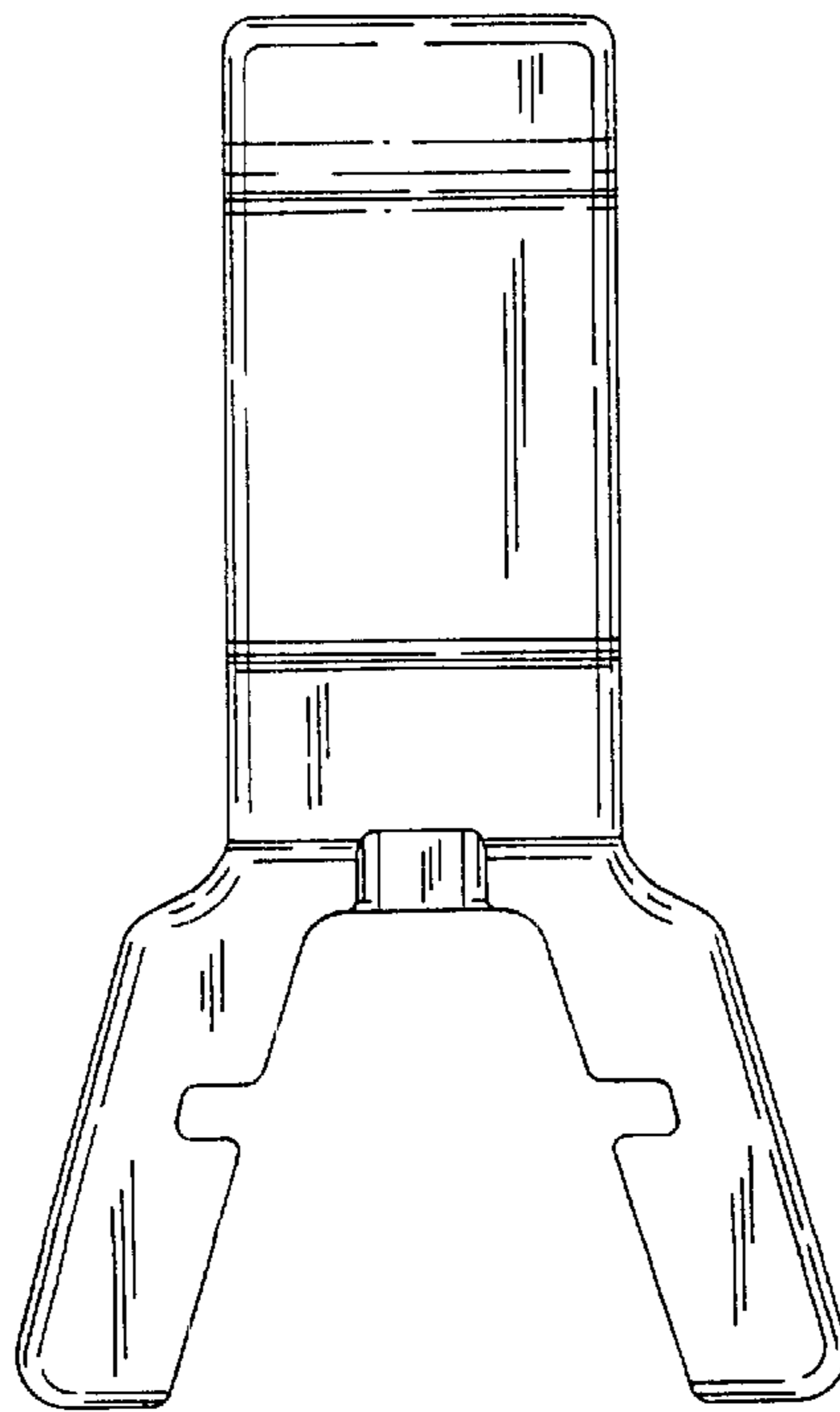


FIG. 7