



US00D459776S

(12) **United States Design Patent**
Lee

(10) **Patent No.:** **US D459,776 S**

(45) **Date of Patent:** **** Jul. 2, 2002**

(54) **GUARD FRAME FOR AN EXERCISER**

D446,266 S * 8/2001 Lin D21/697

(76) Inventor: **Kuo-Lung Lee**, No. 61, Mai Jou II Rd.,
Yi Lan City (TW)

* cited by examiner

(**) Term: **14 Years**

Primary Examiner—Philip S. Hyder

(74) *Attorney, Agent, or Firm*—Varndell & Varndell, PLLC

(21) Appl. No.: **29/141,445**

(57) **CLAIM**

(22) Filed: **May 8, 2001**

The ornamental design for a guard frame for an exerciser, as shown and described.

(51) **LOC (7) Cl.** **21-02**

DESCRIPTION

(52) **U.S. Cl.** **D21/697**

(58) **Field of Search** D21/663, 664,
D21/665, 666, 667, 668, 694, 697; 482/51,
57, 58, 62

FIG. 1 is a perspective view of a guard frame for an exerciser showing my new design;

FIG. 2 is a front elevational view thereof;

FIG. 3 is a rear elevational view thereof;

FIG. 4 is a top plan view thereof;

FIG. 5 is a bottom plan view thereof;

FIG. 6 is a left side elevational view thereof;

FIG. 7 is a right side elevational view thereof;

FIG. 8 is another perspective view of the design; and,

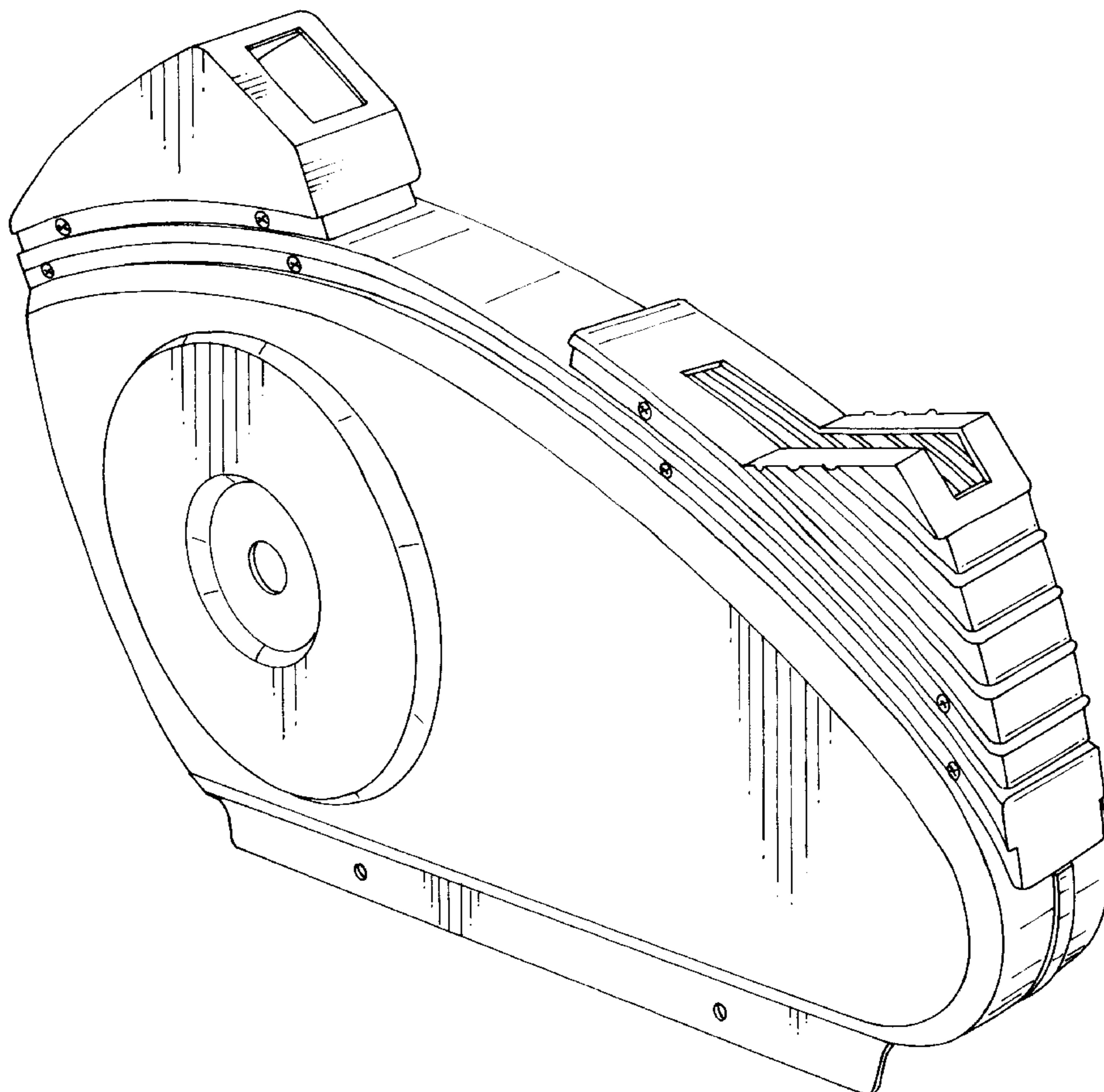
FIG. 9 is a right side elevational view thereof, wherein the broken line showing of the exerciser structure is for illustrative purposes only and forms no part of the claimed design.

(56) **References Cited**

U.S. PATENT DOCUMENTS

D344,313 S	*	2/1994	Wu	D21/663
D366,298 S	*	1/1996	Wu	D21/663
D372,061 S	*	7/1996	Chen	D21/697
D401,644 S	*	11/1998	Chen	D21/663
6,152,861 A	*	11/2000	Chen	482/57
D437,369 S	*	2/2001	Tsushi	D21/663
D438,580 S	*	3/2001	Shaw	D21/663
D438,581 S	*	3/2001	Shaw	D21/663
D438,919 S	*	3/2001	Shaw	D21/663

1 Claim, 9 Drawing Sheets



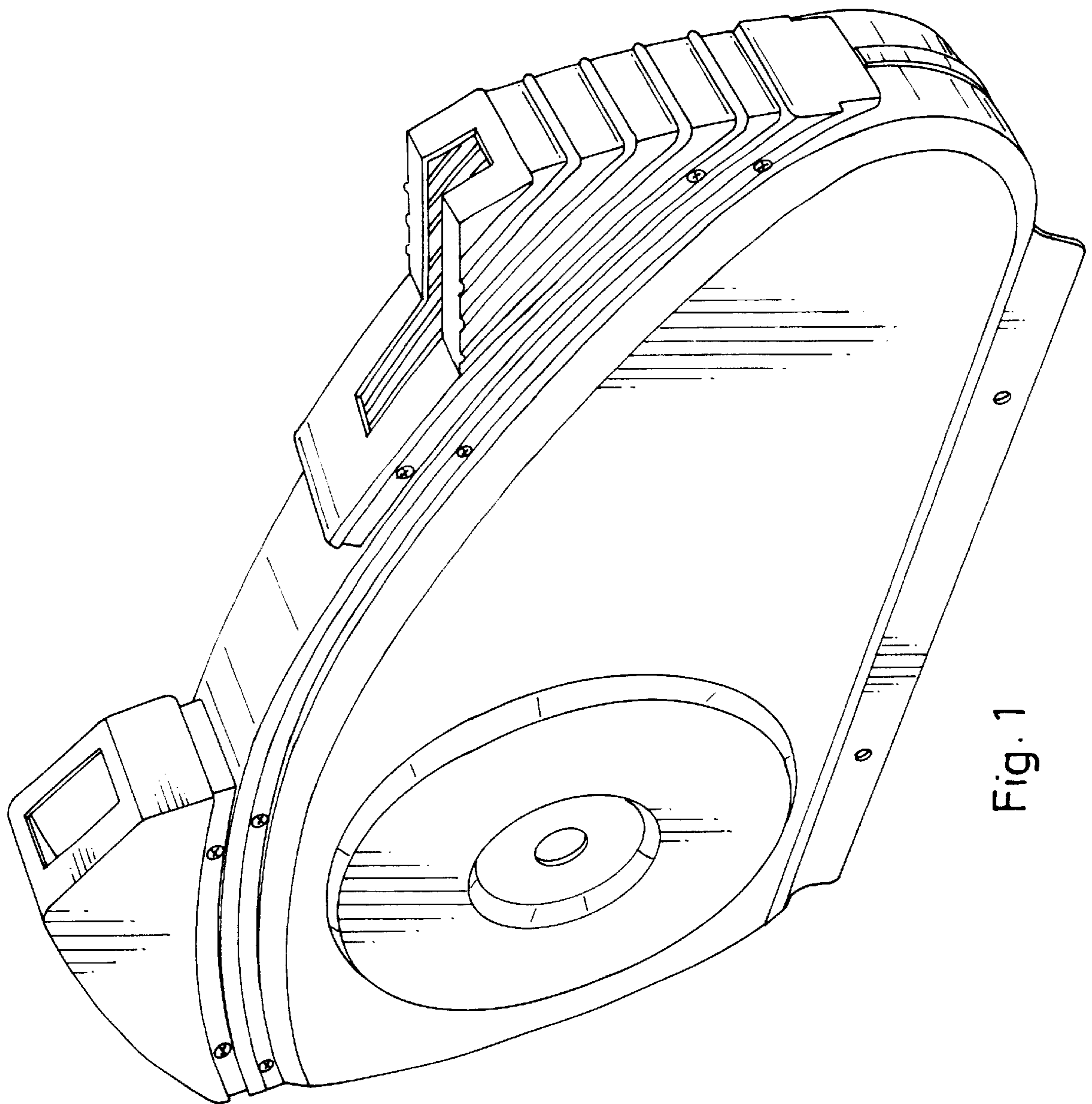


Fig. 1

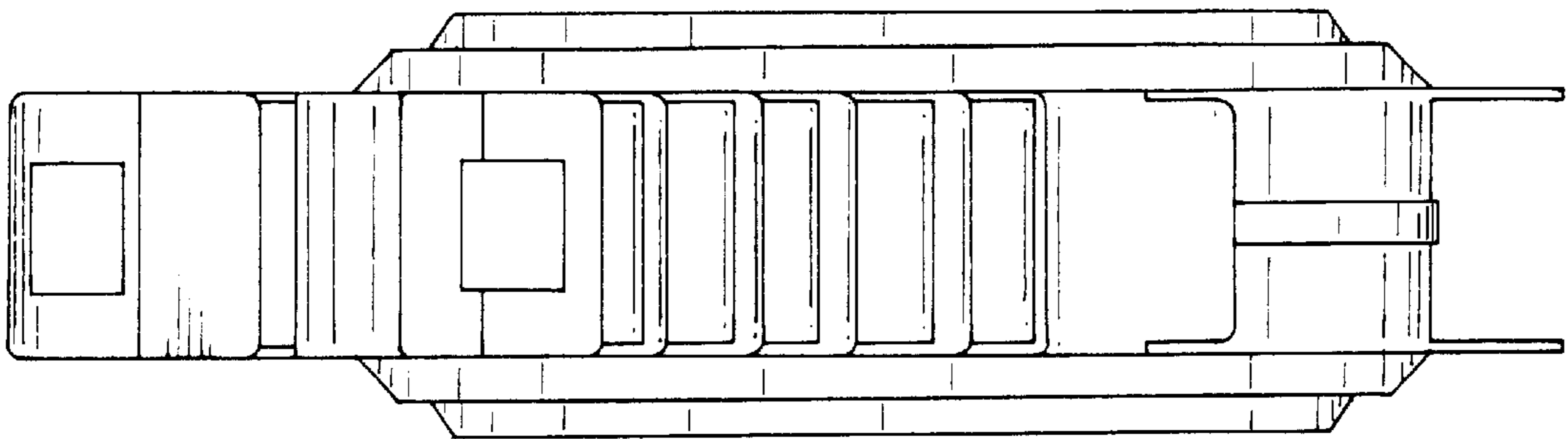


Fig. 2

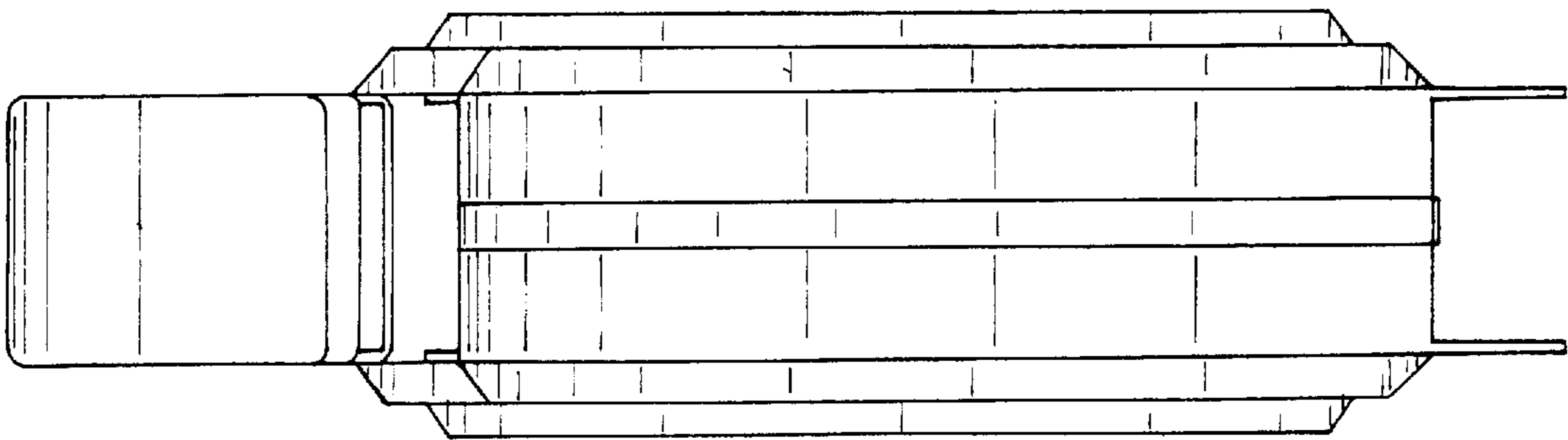


Fig. 3

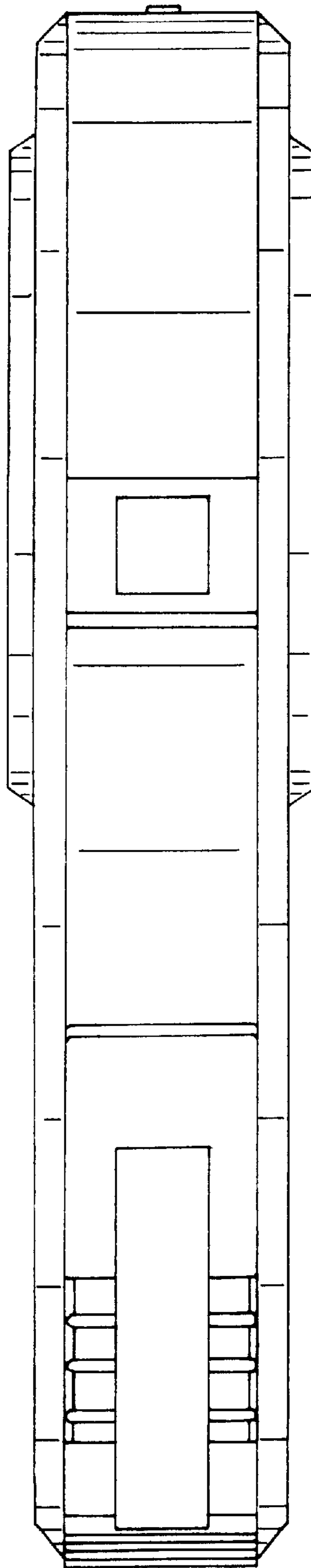


Fig.4

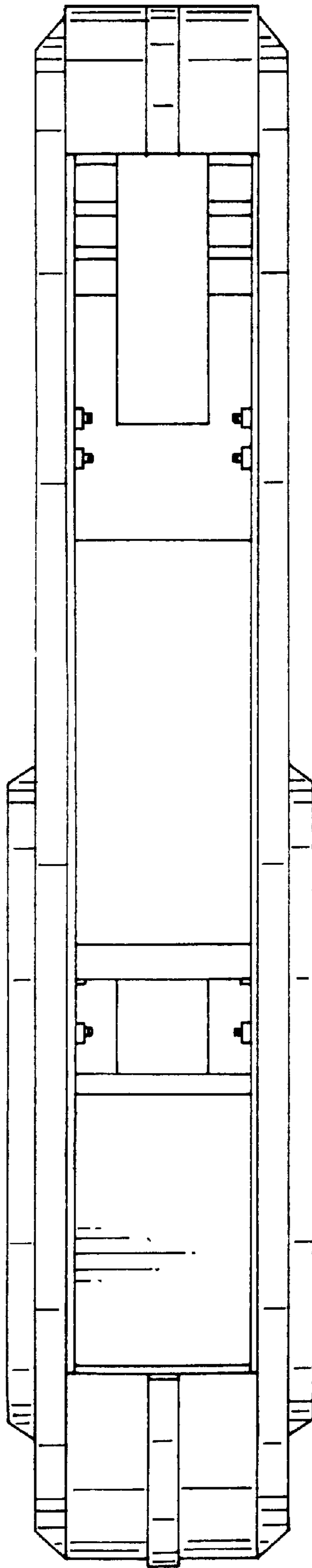


Fig. 5

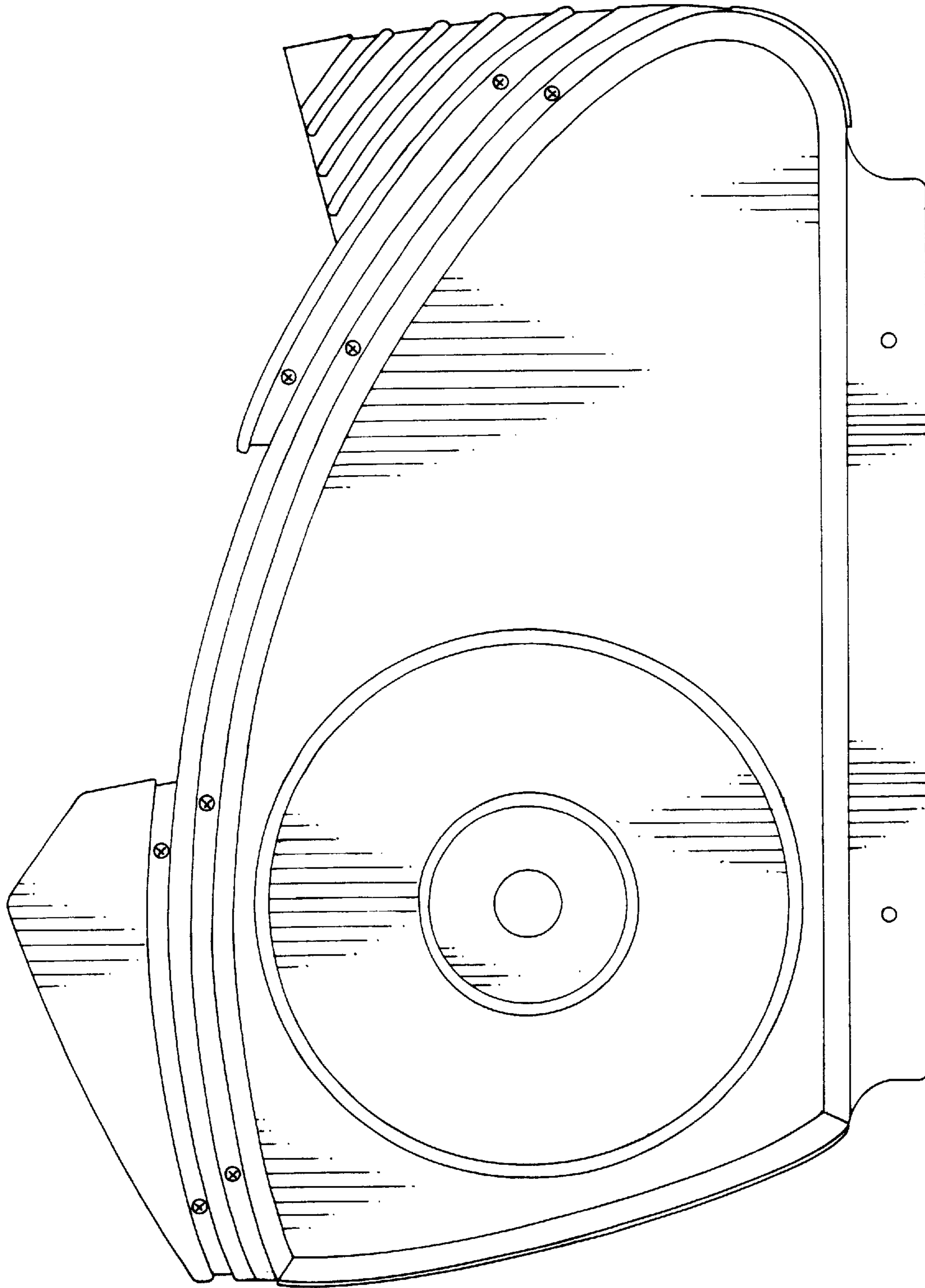


Fig. 6

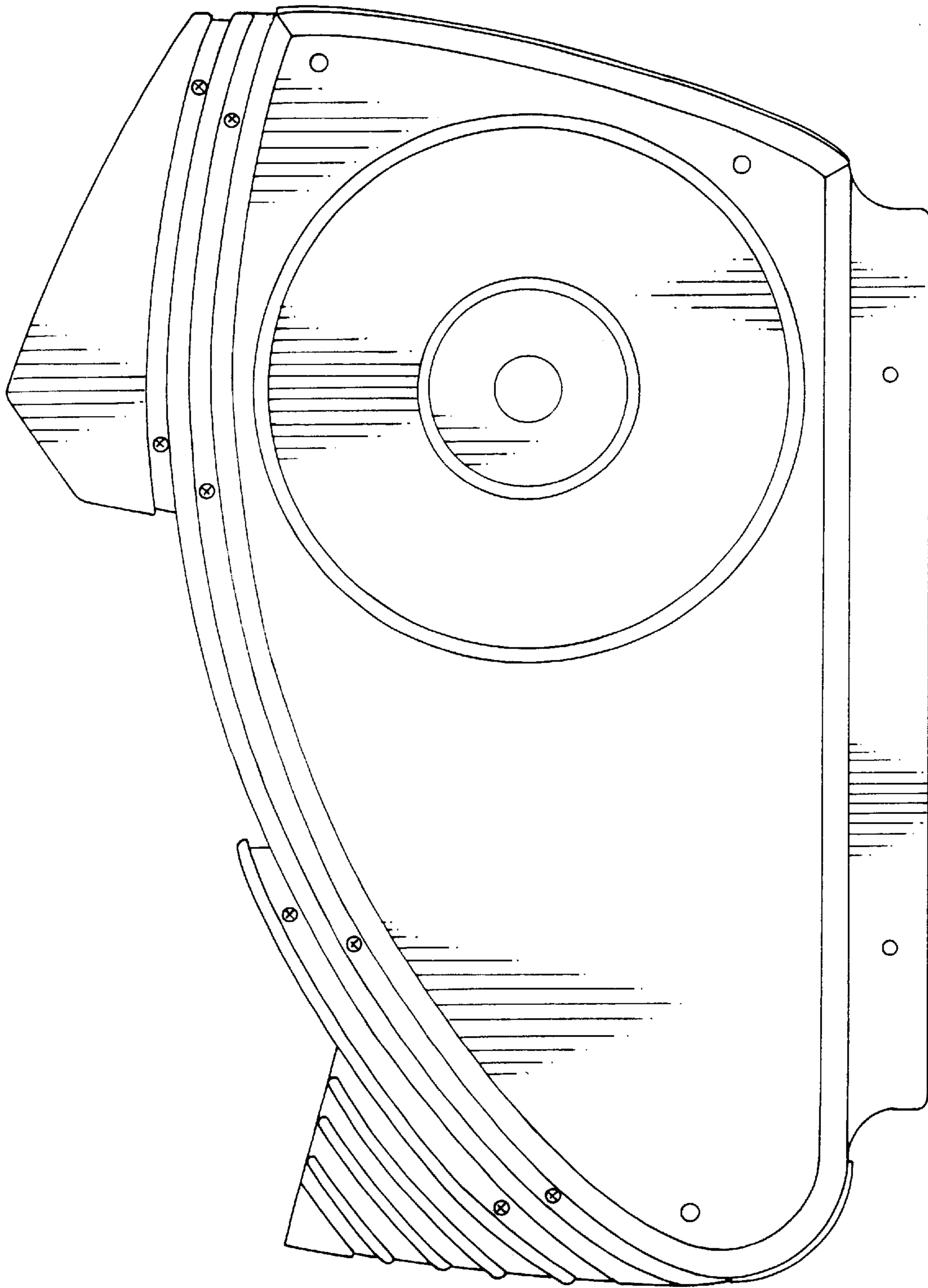


Fig. 7

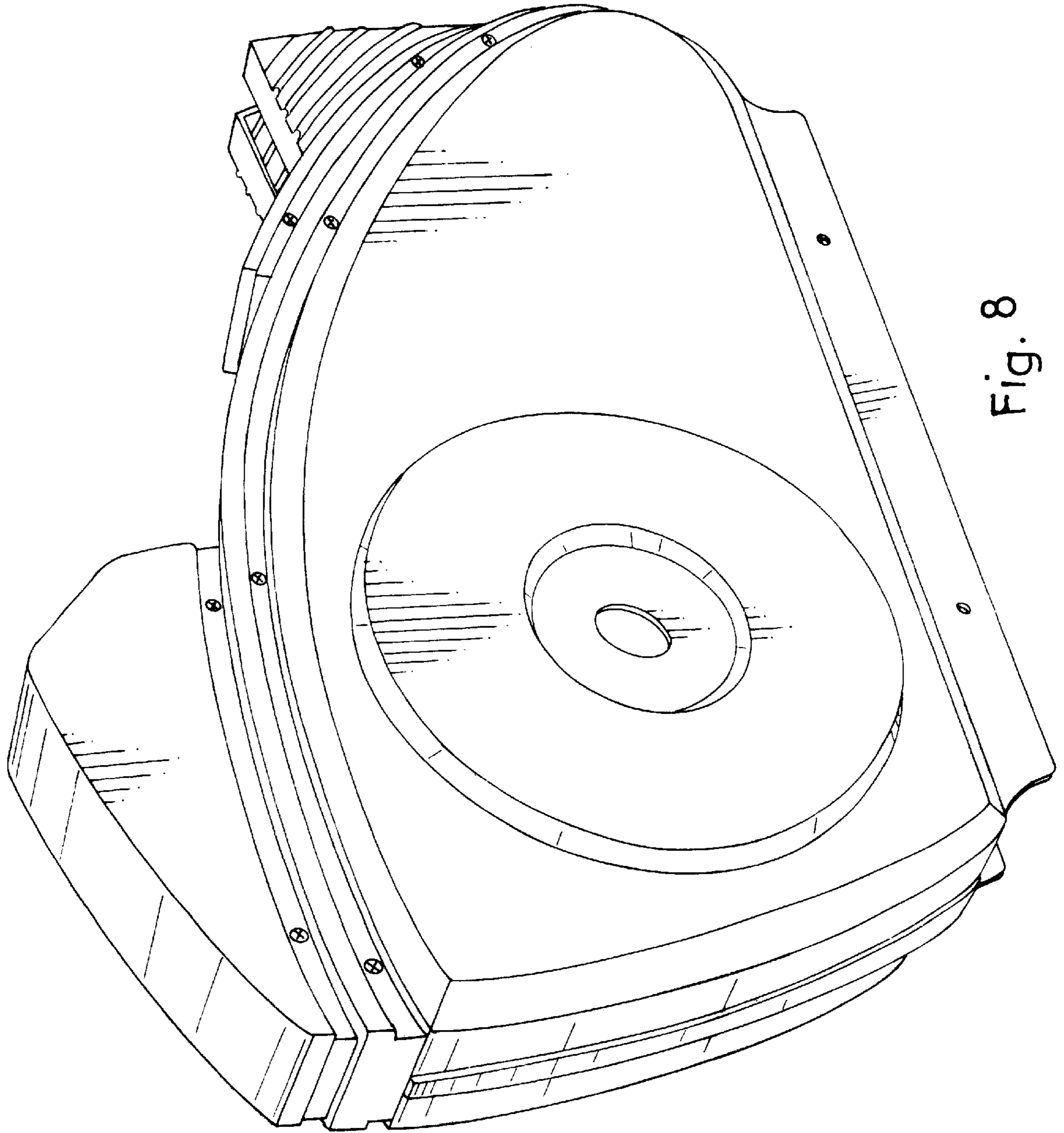


Fig. 8

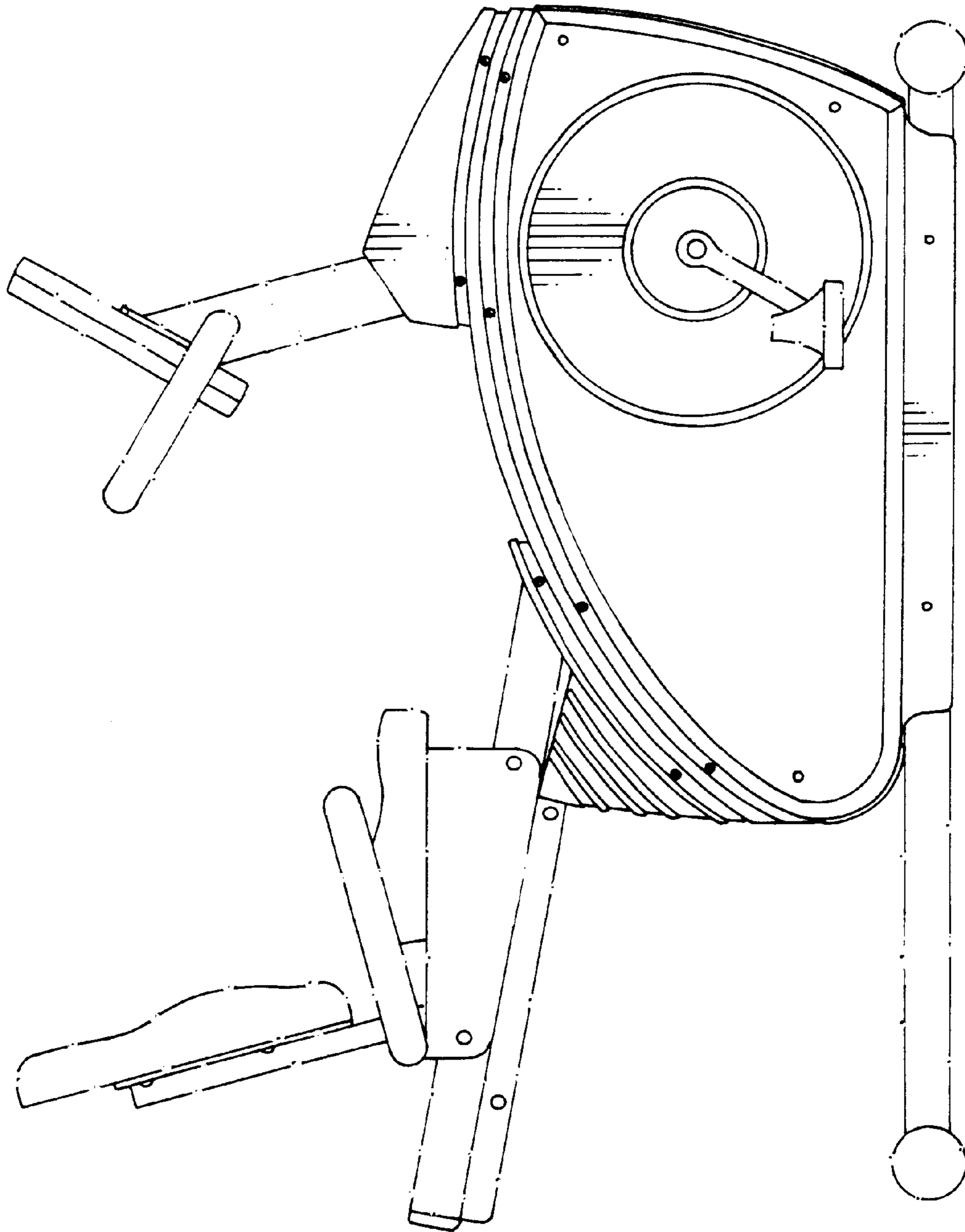


Fig. 9