



US00D459774S

(12) **United States Design Patent**
Lee

(10) **Patent No.:** **US D459,774 S**

(45) **Date of Patent:** **** Jul. 2, 2002**

(54) **EXTRUDED ALUMINUM TRACK FOR A WALKING EXERCISER**

(76) **Inventor:** **Kuo-Lung Lee**, No. 61, Mai Jou II Rd., Yi Lan City (TW)

(**) **Term:** **14 Years**

(21) **Appl. No.:** **29/143,677**

(22) **Filed:** **Jun. 19, 2001**

(51) **LOC (7) Cl.** **21-02**

(52) **U.S. Cl.** **D21/694; D25/124**

(58) **Field of Search** **D21/662, 668, D21/694; D25/124, 119; 482/51, 54, 148**

(56) **References Cited**

U.S. PATENT DOCUMENTS

D296,575 S	*	7/1988	McNeil	D21/694
D298,057 S	*	10/1988	Mahnke et al.	D21/694
D299,503 S	*	1/1989	McNeil	D21/694
D338,719 S	*	8/1993	Moss et al.	D25/124
D338,970 S	*	8/1993	Moss et al.	D25/124
D378,425 S	*	3/1997	Leonelli	D25/124
D378,427 S	*	3/1997	Leonelli	D25/124

5,772,560 A	*	6/1998	Watterson et al.	482/51
5,897,460 A	*	4/1999	McBride et al.	482/51
6,126,576 A	*	10/2000	Wang	482/51
6,132,340 A	*	10/2000	Wang et al.	482/51

* cited by examiner

Primary Examiner—Philip S. Hyder

(74) *Attorney, Agent, or Firm*—Varndell & Varndell, PLLC

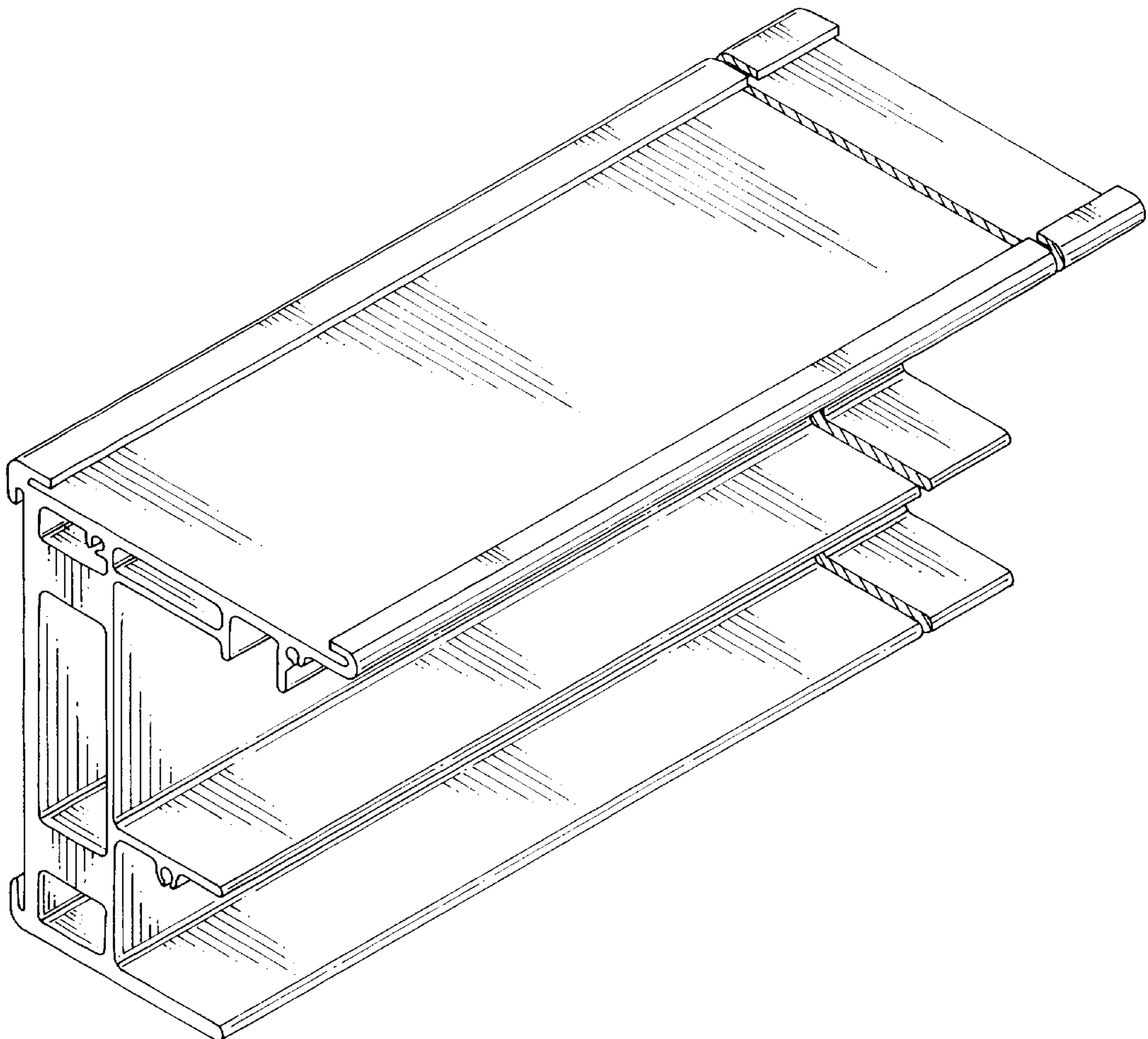
(57) **CLAIM**

The ornamental design for an extruded aluminum track for a walking exerciser, as shown and described.

DESCRIPTION

FIG. 1 is a perspective view of an extruded aluminum track for a walking exerciser showing my new design; FIG. 2 is a front elevational view thereof; FIG. 3 is a rear elevational view thereof; FIG. 4 is a top plan view thereof; FIG. 5 is a bottom plan view thereof; FIG. 6 is a left side elevational view thereof; FIG. 7 is a right side elevational view thereof; and, FIG. 8 is another perspective view of the design.

1 Claim, 8 Drawing Sheets



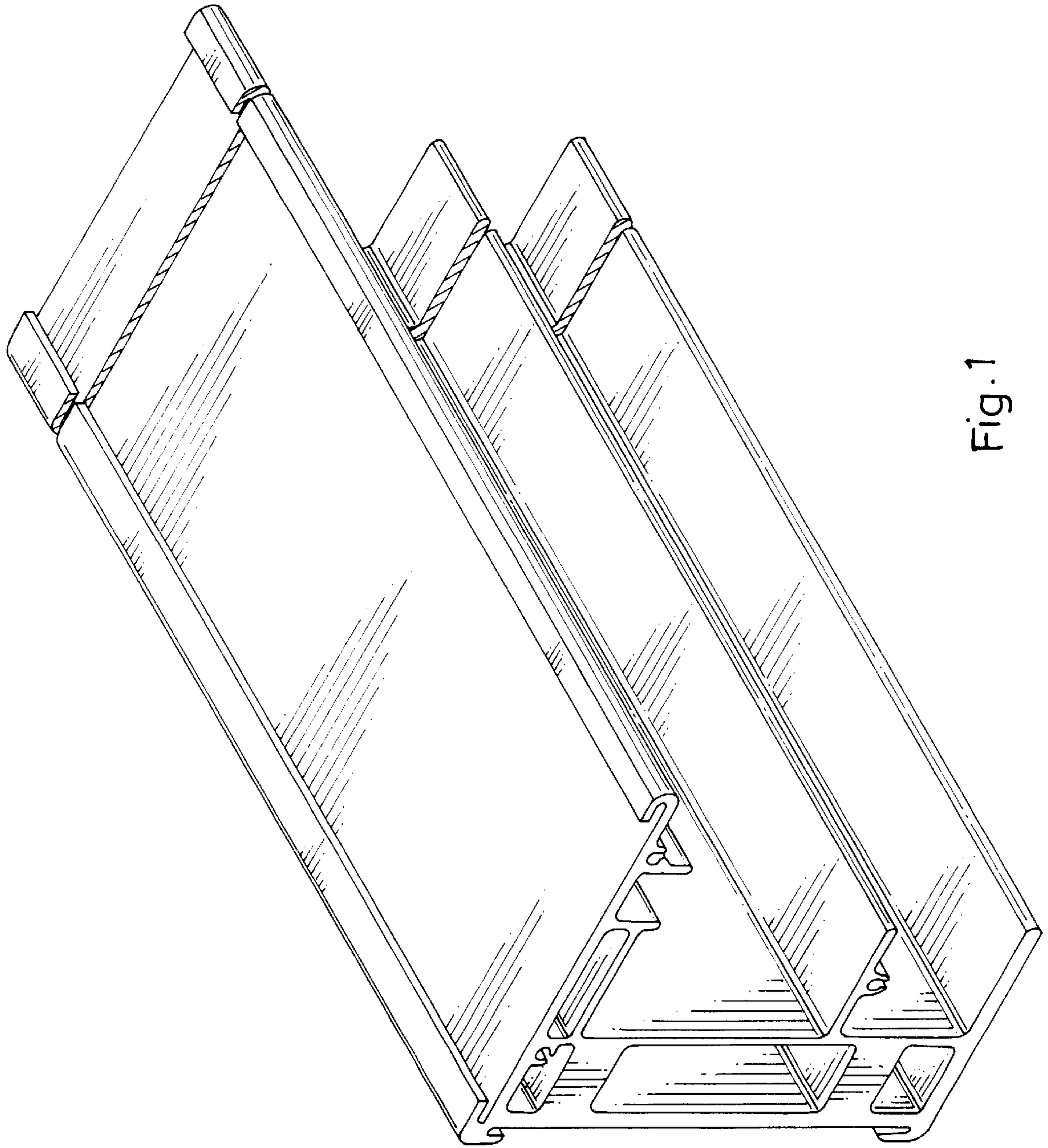


Fig. 1

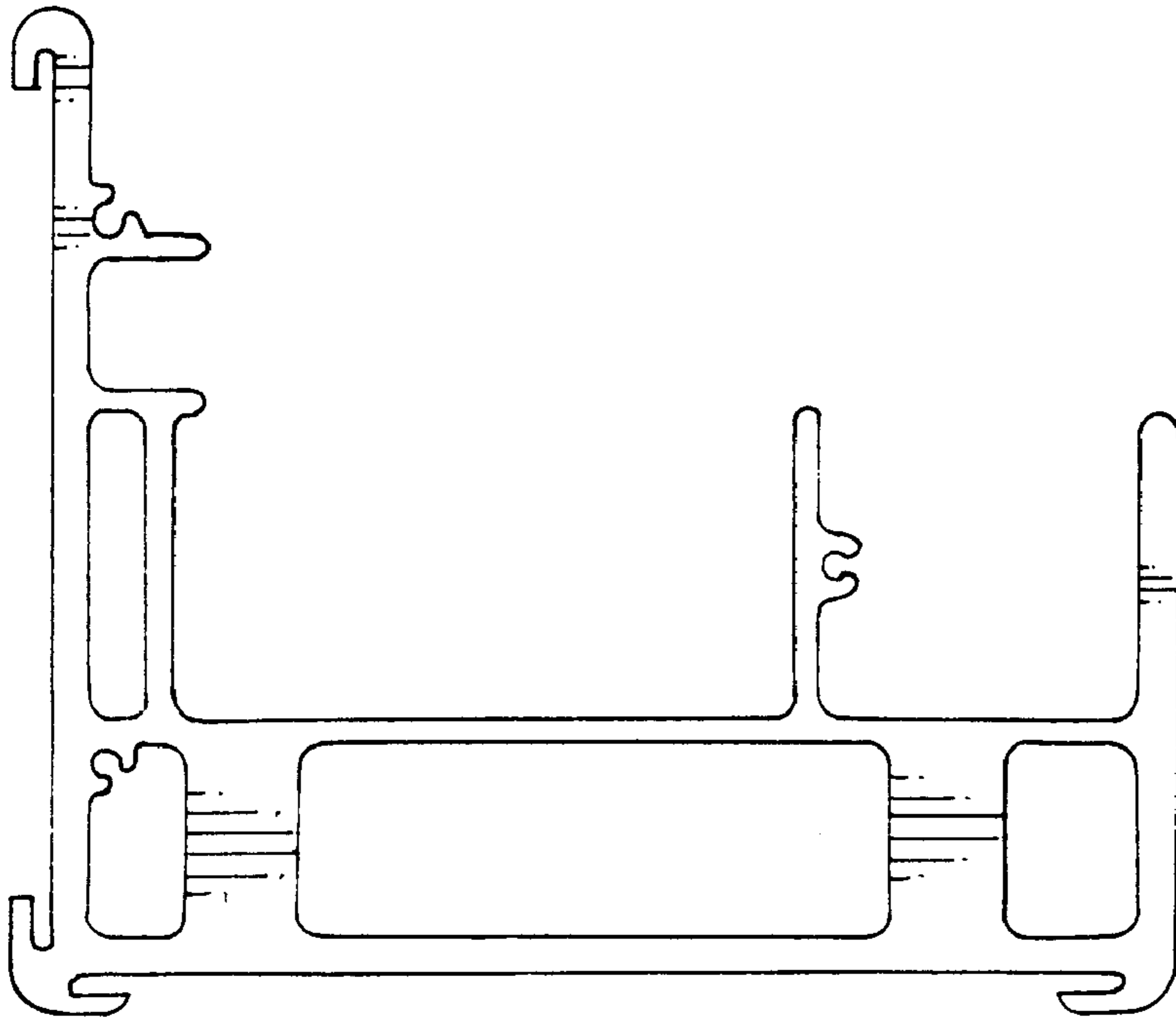


Fig. 2

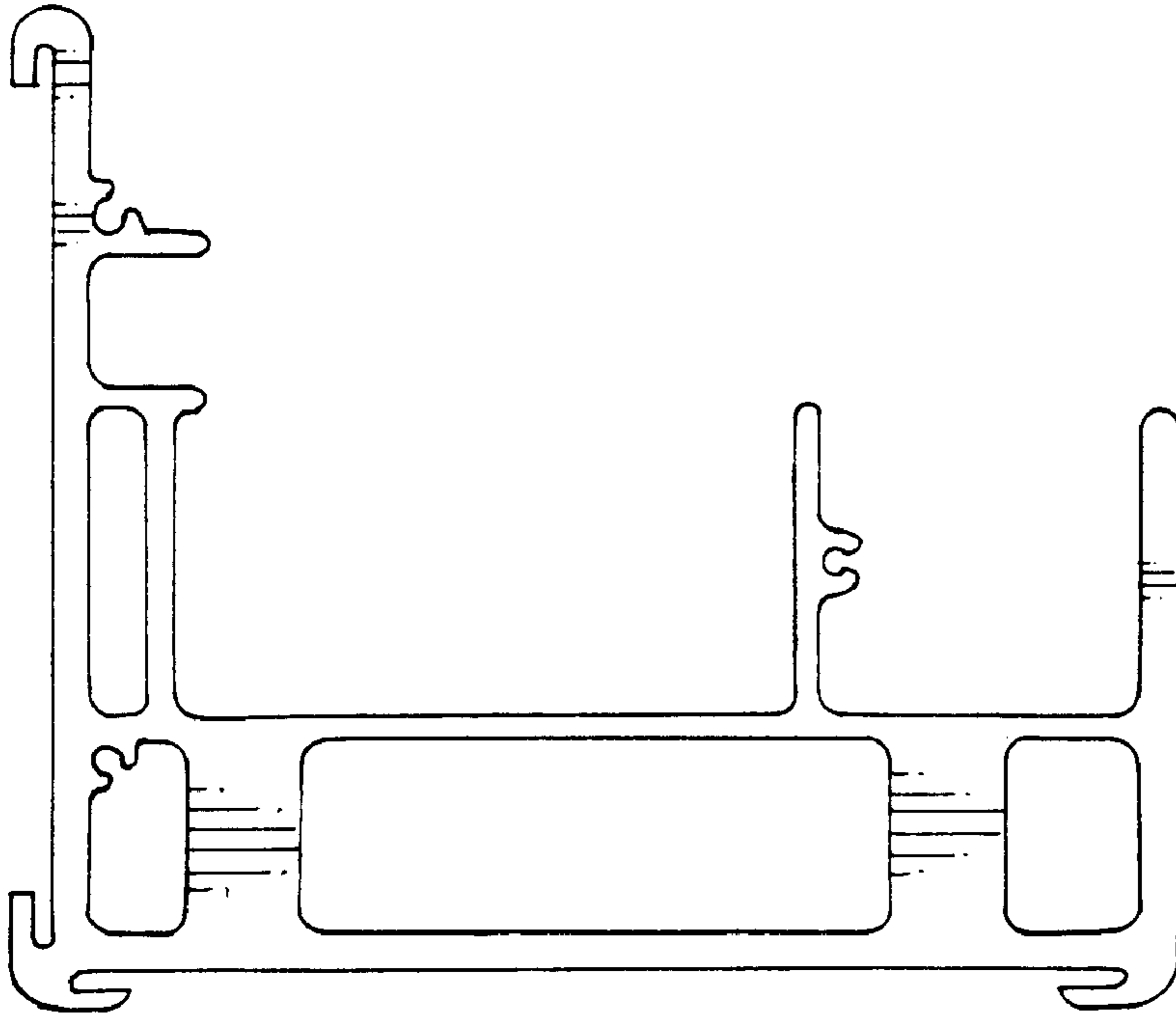


Fig. 3

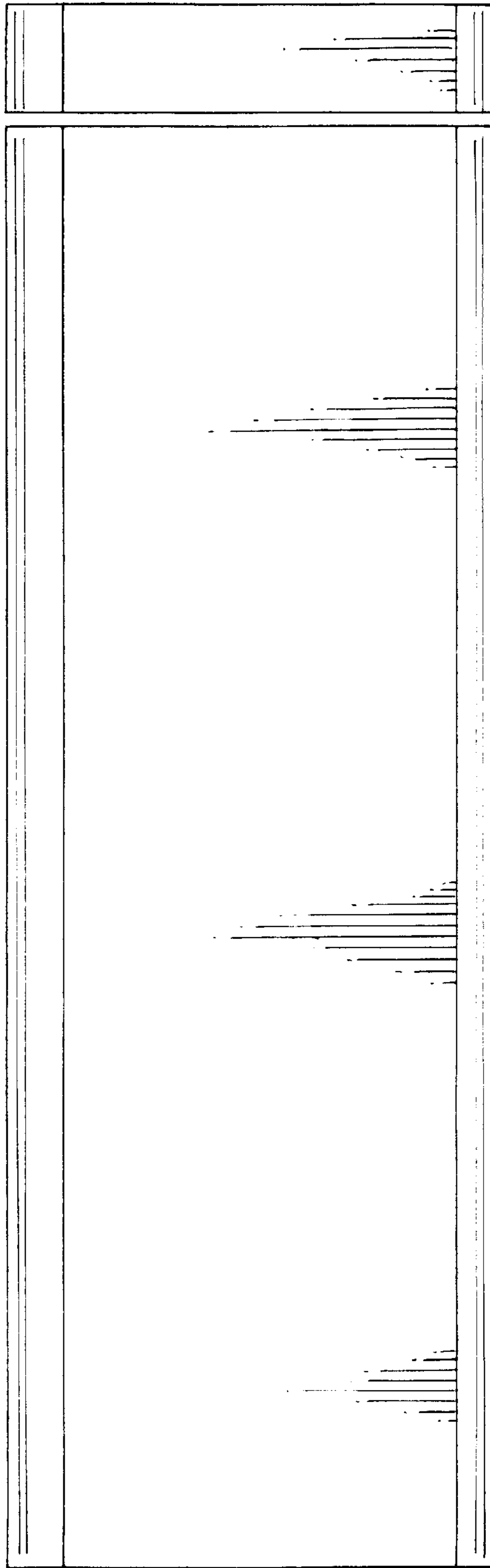


Fig. 4

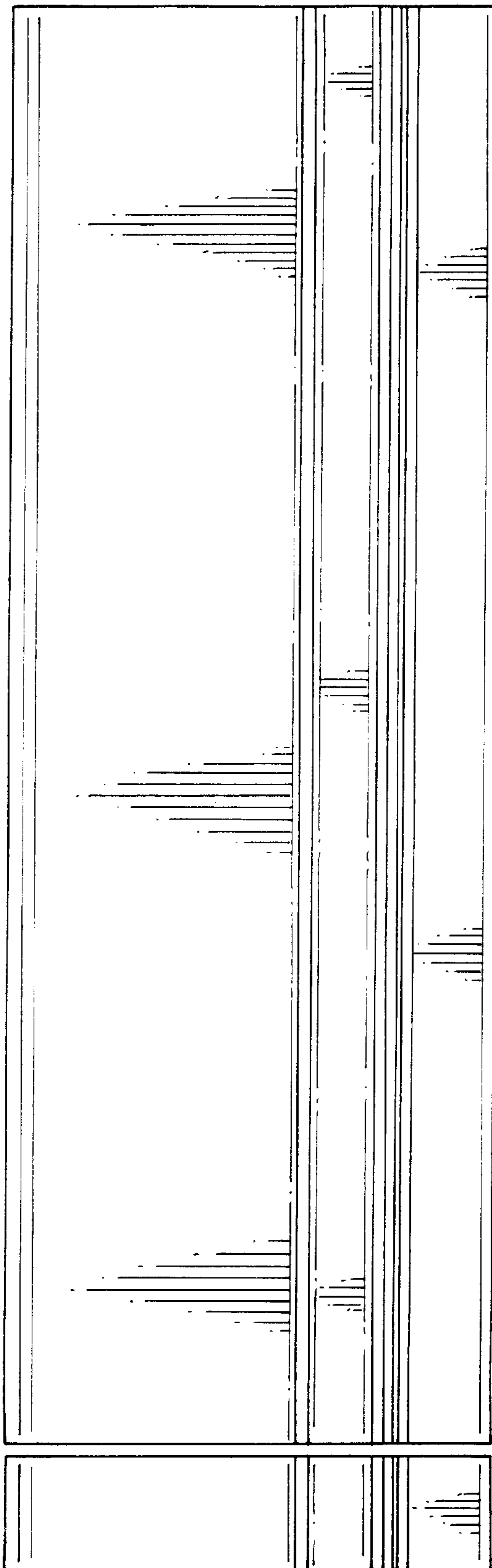


Fig. 5

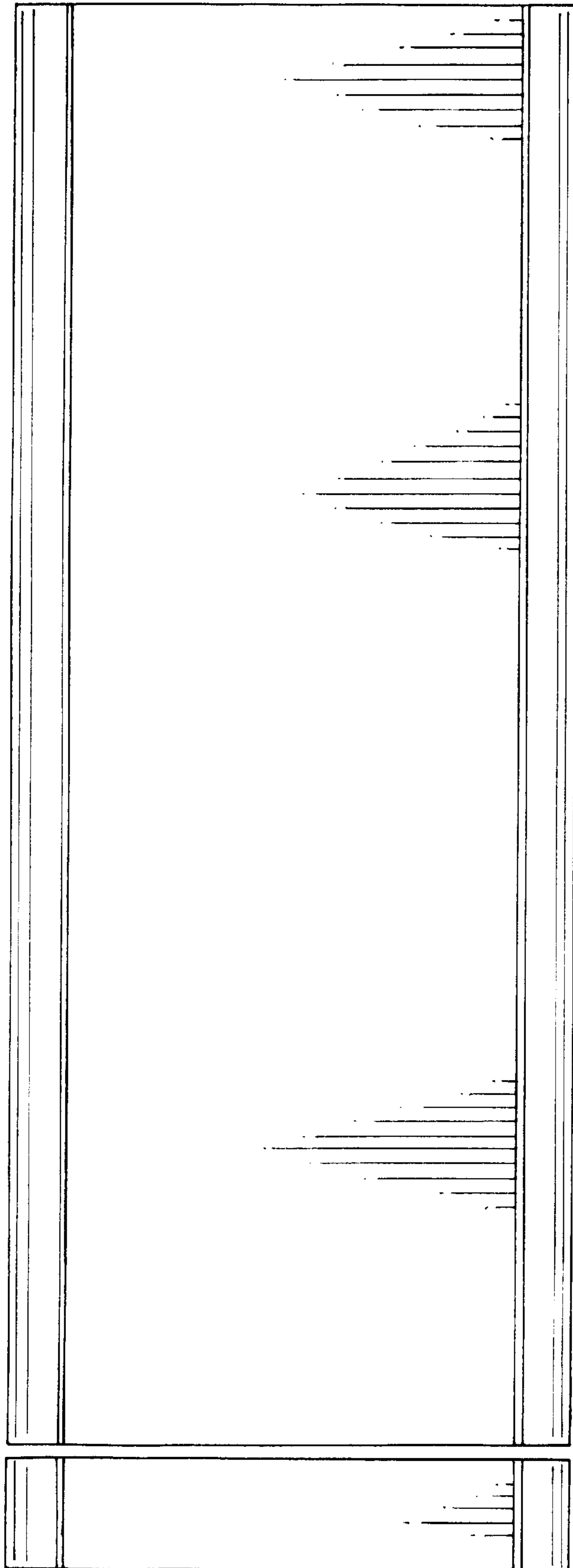


Fig. 6

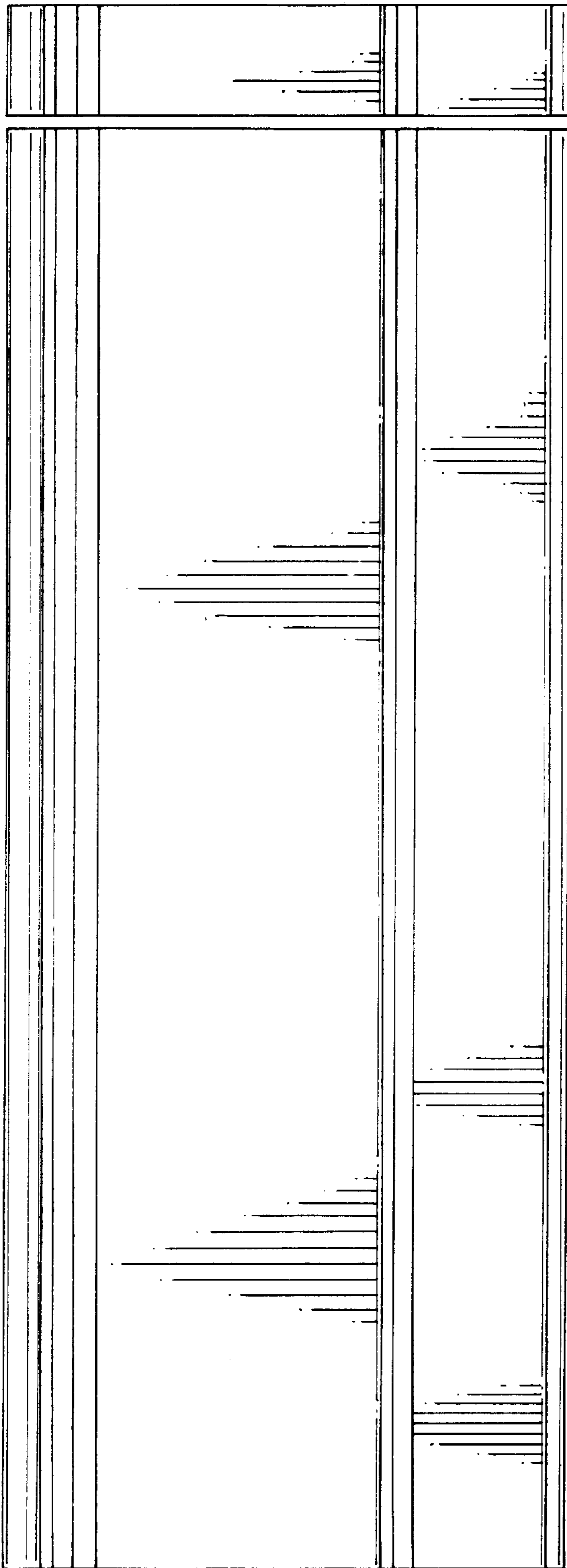


Fig. 7

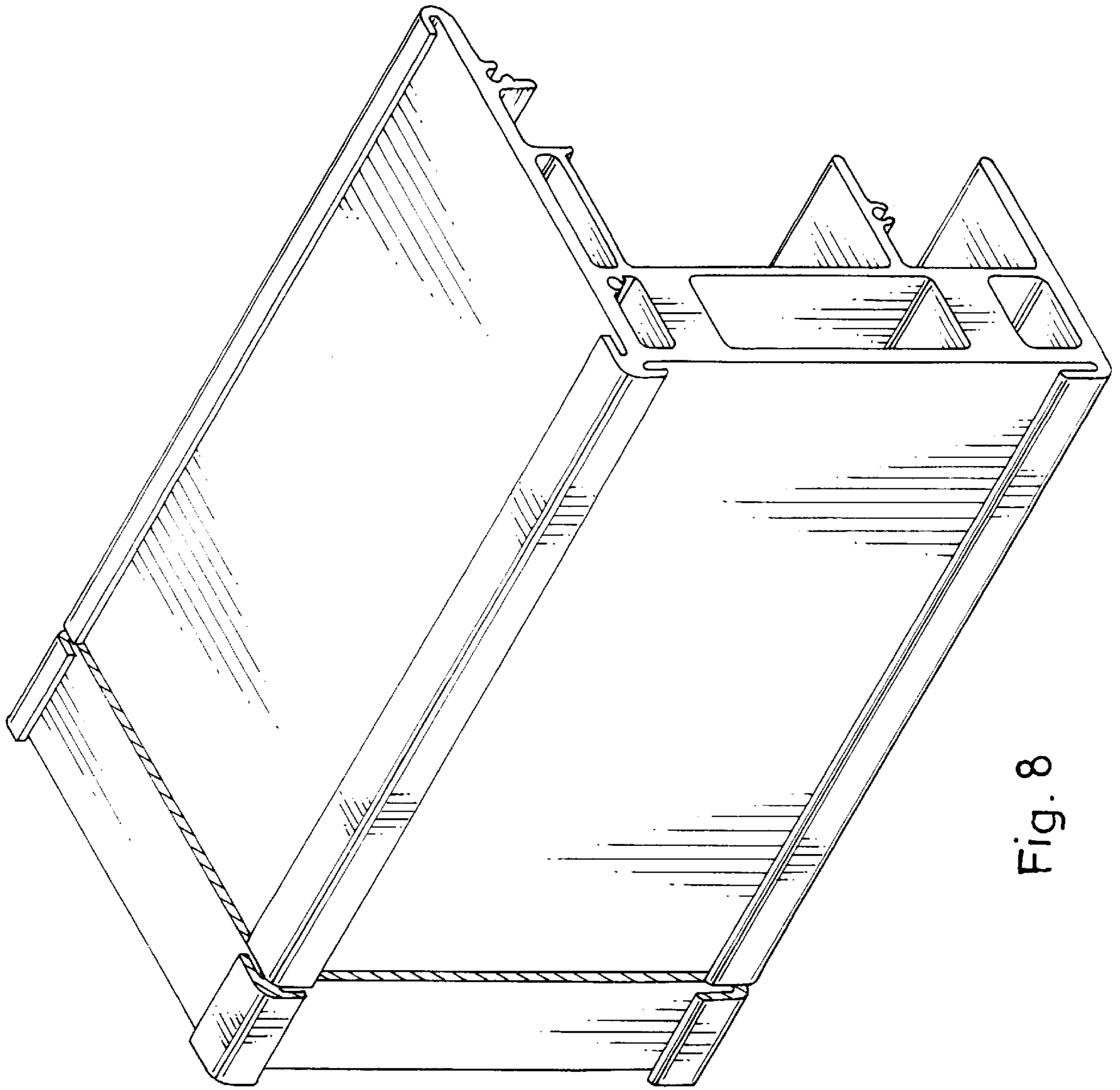


Fig. 8