



US00D459773S

(12) **United States Design Patent**
Hsiung

(10) **Patent No.:** **US D459,773 S**

(45) **Date of Patent:** **** Jul. 2, 2002**

(54) **STEPPER WITH ARM MOTION**

(75) **Inventor:** **Bob Hsiung, Walnut, CA (US)**

(73) **Assignee:** **HUPA International, Inc., Walnut, CA (US)**

(**) **Term:** **14 Years**

(21) **Appl. No.:** **29/141,689**

(22) **Filed:** **May 9, 2001**

(51) **LOC (7) Cl. 21-02**

(52) **U.S. Cl. D21/668**

(58) **Field of Search D21/668, 669,
D21/670, 662, 665; 482/51, 52, 54, 57,
53**

(56) **References Cited**

U.S. PATENT DOCUMENTS

5,746,683	A	*	5/1998	Lee	482/51
5,755,643	A	*	5/1998	Sands et al.	482/51
5,762,588	A	*	6/1998	Chen	482/57
5,779,599	A	*	7/1998	Chen	482/51
5,782,722	A	*	7/1998	Sands et al.	482/51
D397,383	S	*	8/1998	Sands et al.	D21/663

D398,672	S	*	9/1998	Sands et al.	D21/663
D401,645	S	*	11/1998	Kuo	D21/668
D405,852	S	*	2/1999	McBride	D21/668
D406,289	S	*	3/1999	Hwang	D21/665
6,007,462	A	*	12/1999	Chen	482/51

* cited by examiner

Primary Examiner—Philip S. Hyder

(74) *Attorney, Agent, or Firm*—Gene Scott-Patent Law & Venture Group

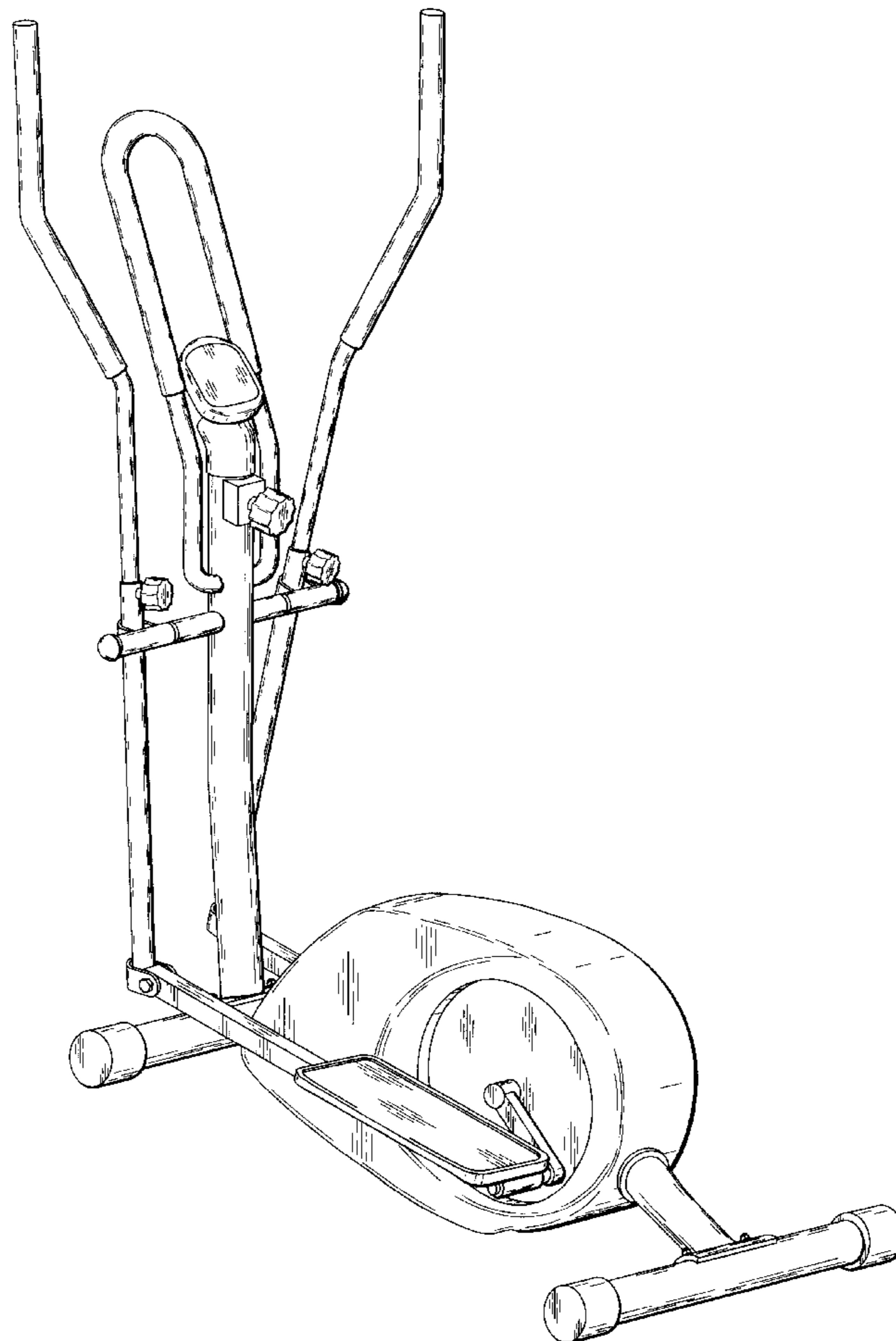
(57) **CLAIM**

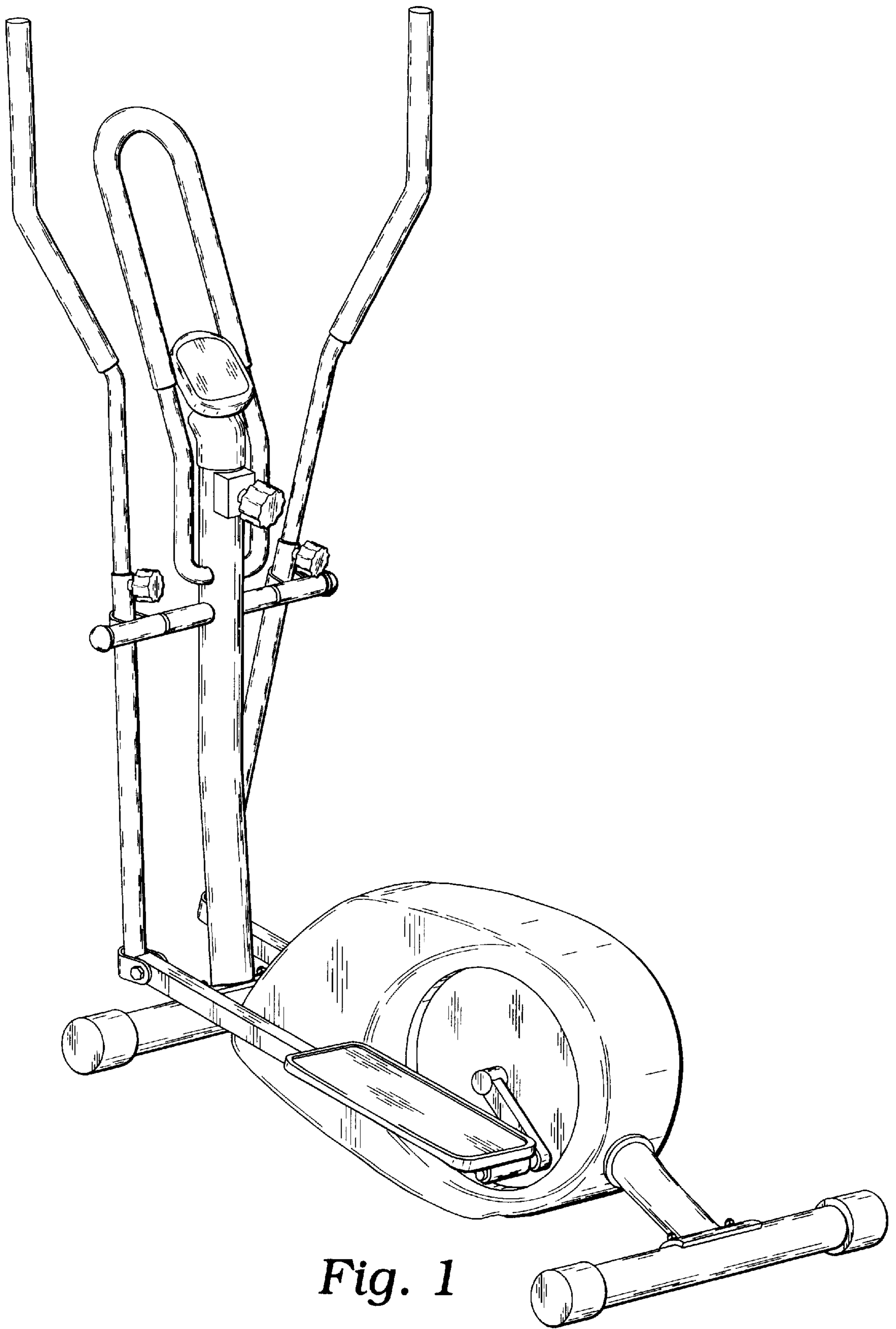
The ornamental design for a stepper with arm motion, as shown and described.

DESCRIPTION

FIG. 1 is a perspective view of a stepper with arm motion, showing my new design;
FIG. 2 is a left side elevation view thereof;
FIG. 3 is a right side elevation view thereof;
FIG. 4 is a front elevation view thereof;
FIG. 5 is a rear elevation view thereof;
FIG. 6 is a top plan view thereof; and,
FIG. 7 is a bottom plan view thereof.

1 Claim, 5 Drawing Sheets





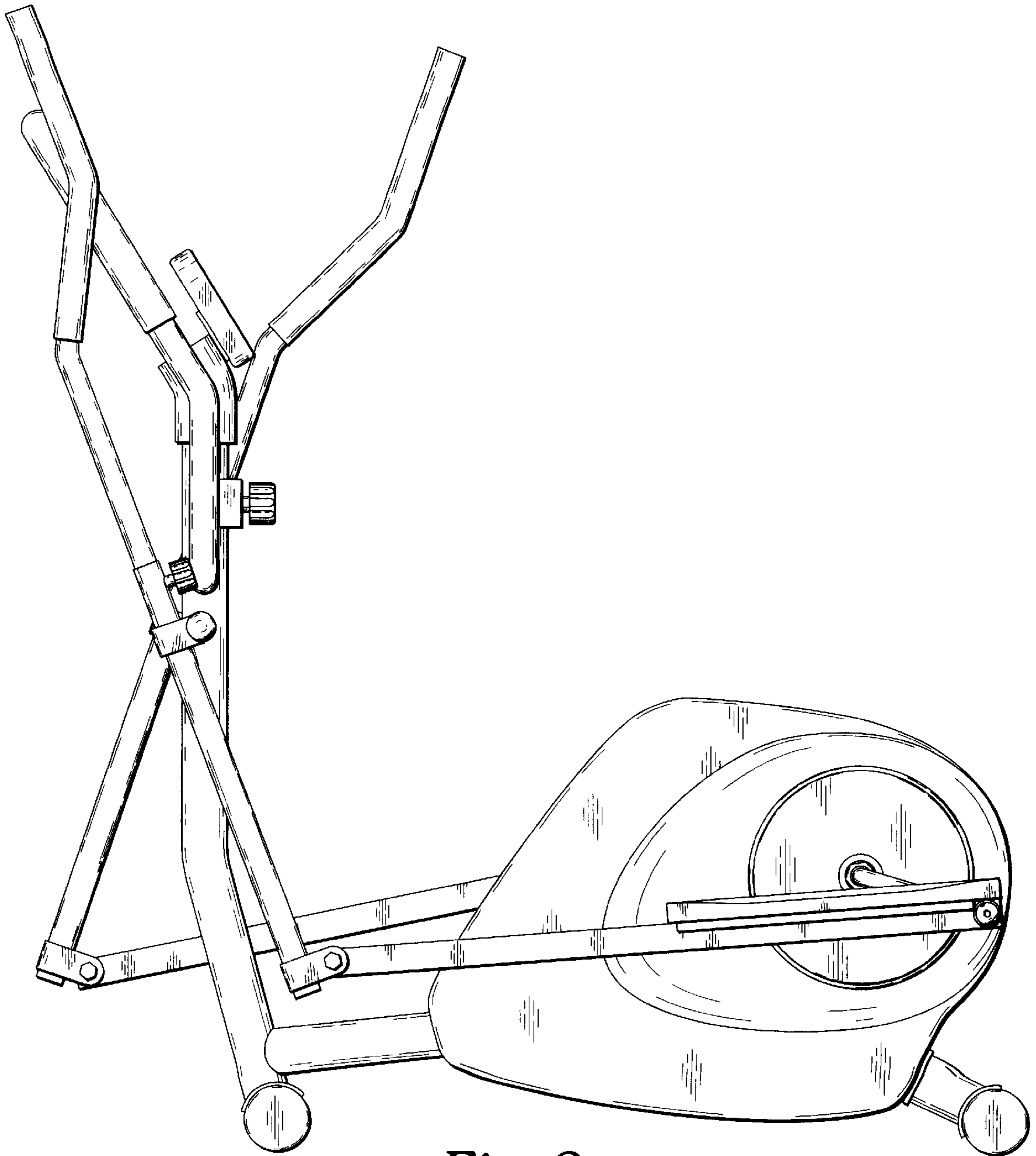


Fig. 2

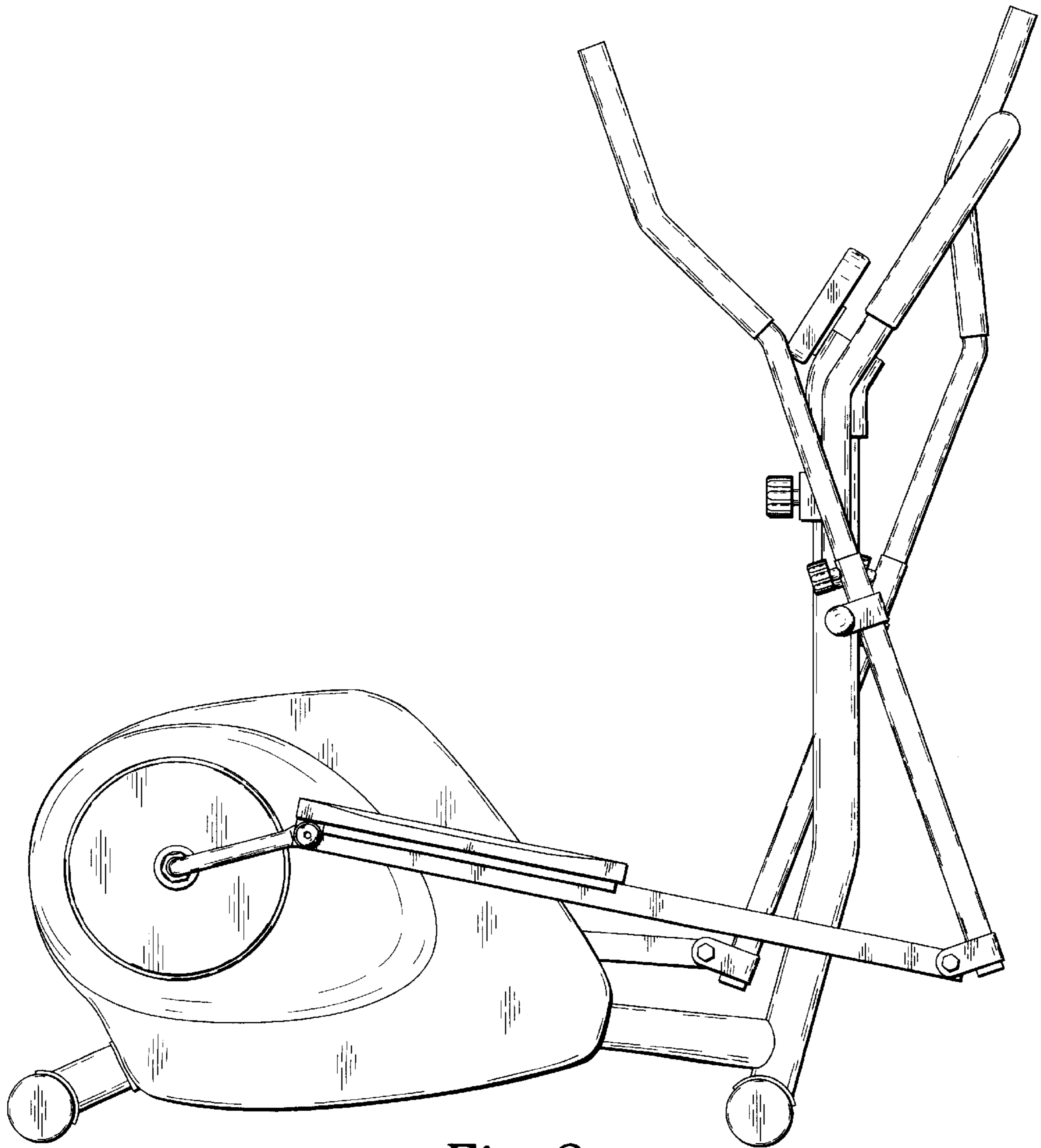


Fig. 3

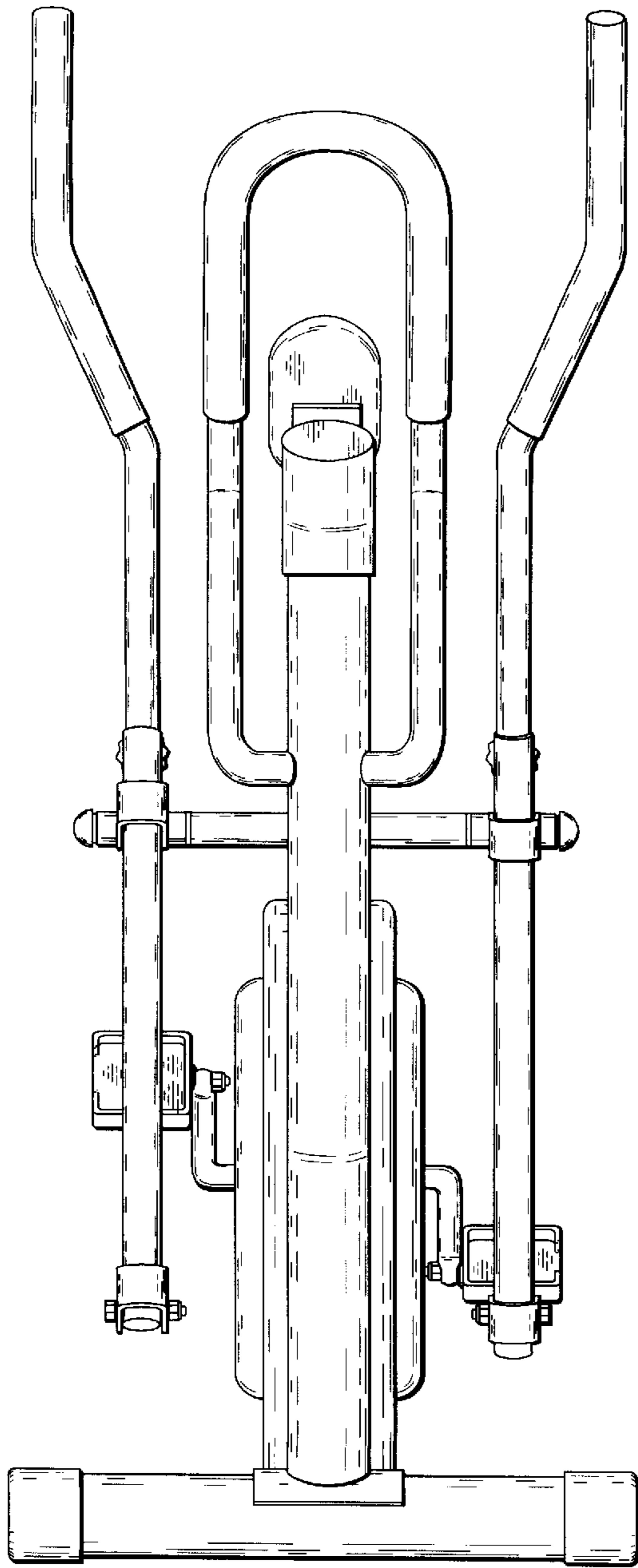


Fig. 4

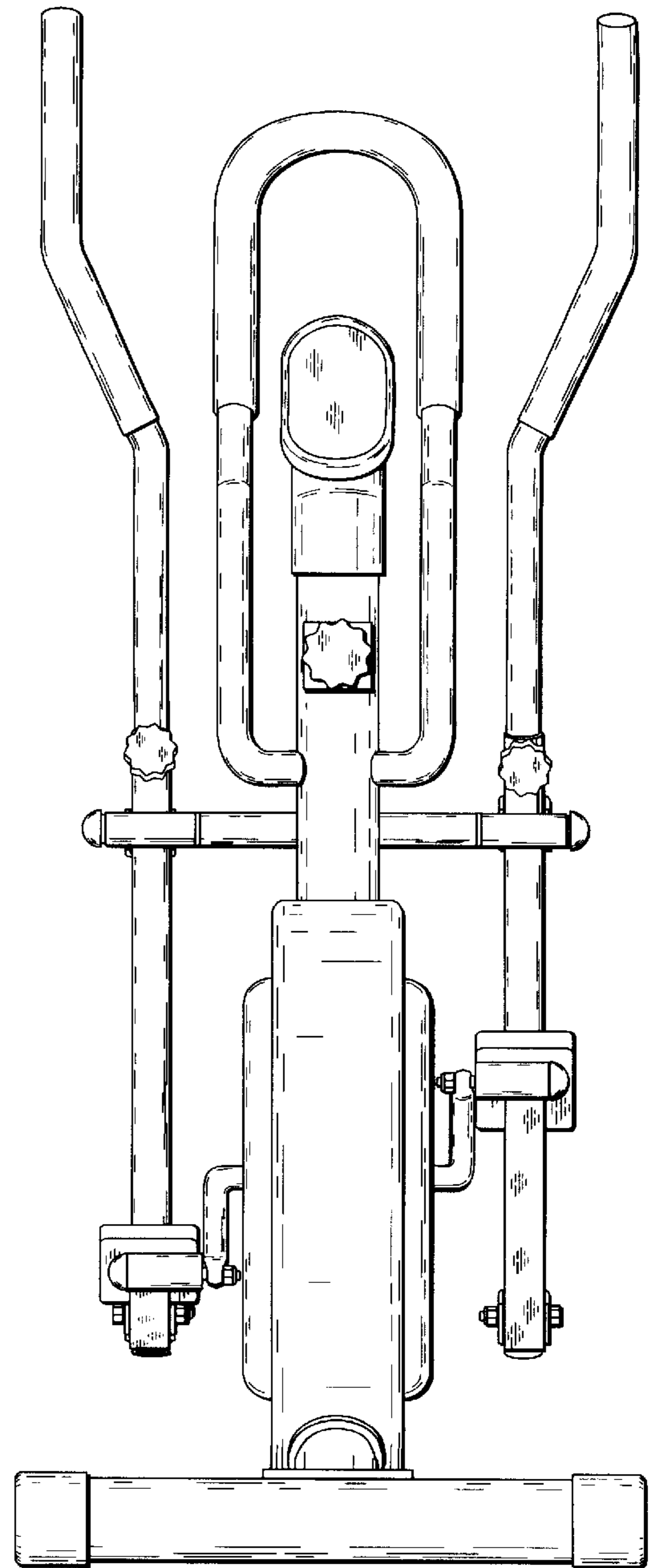


Fig. 5

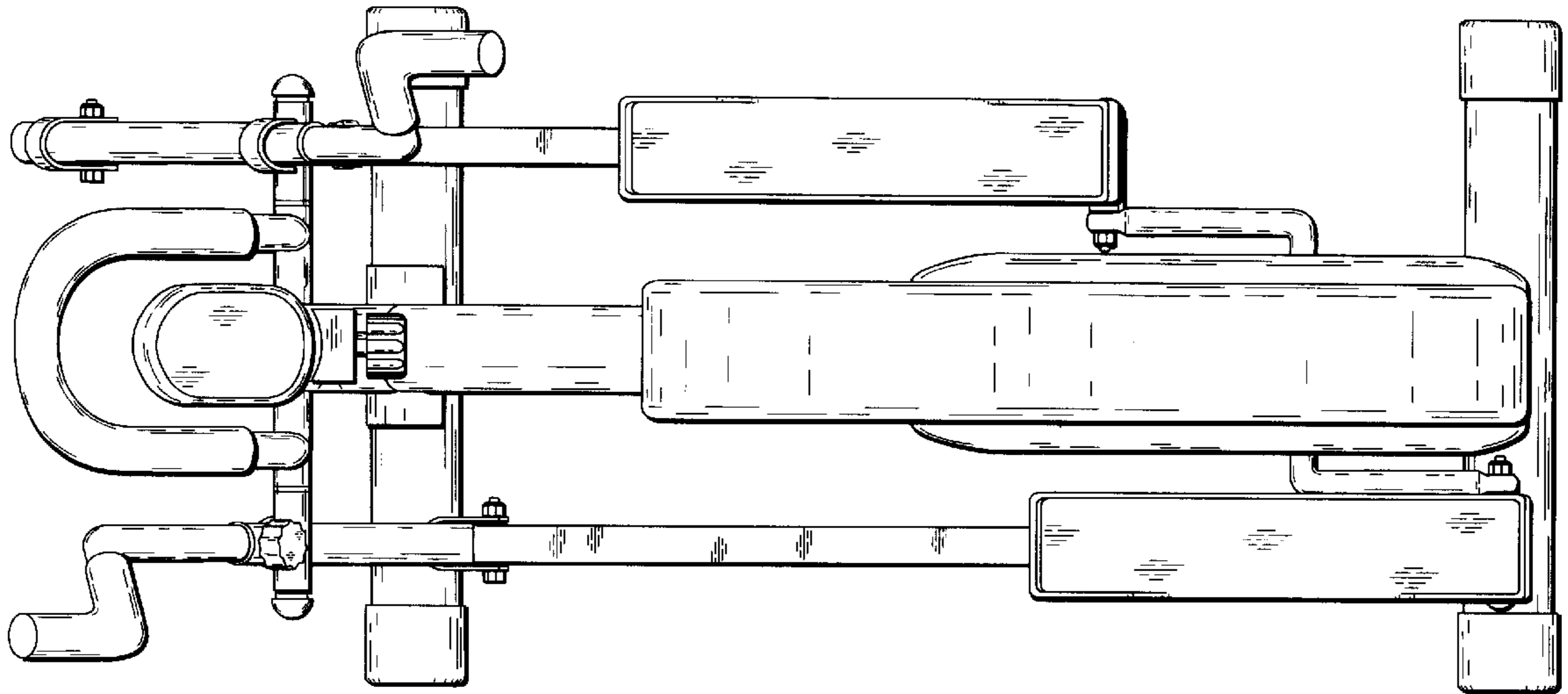


Fig. 6

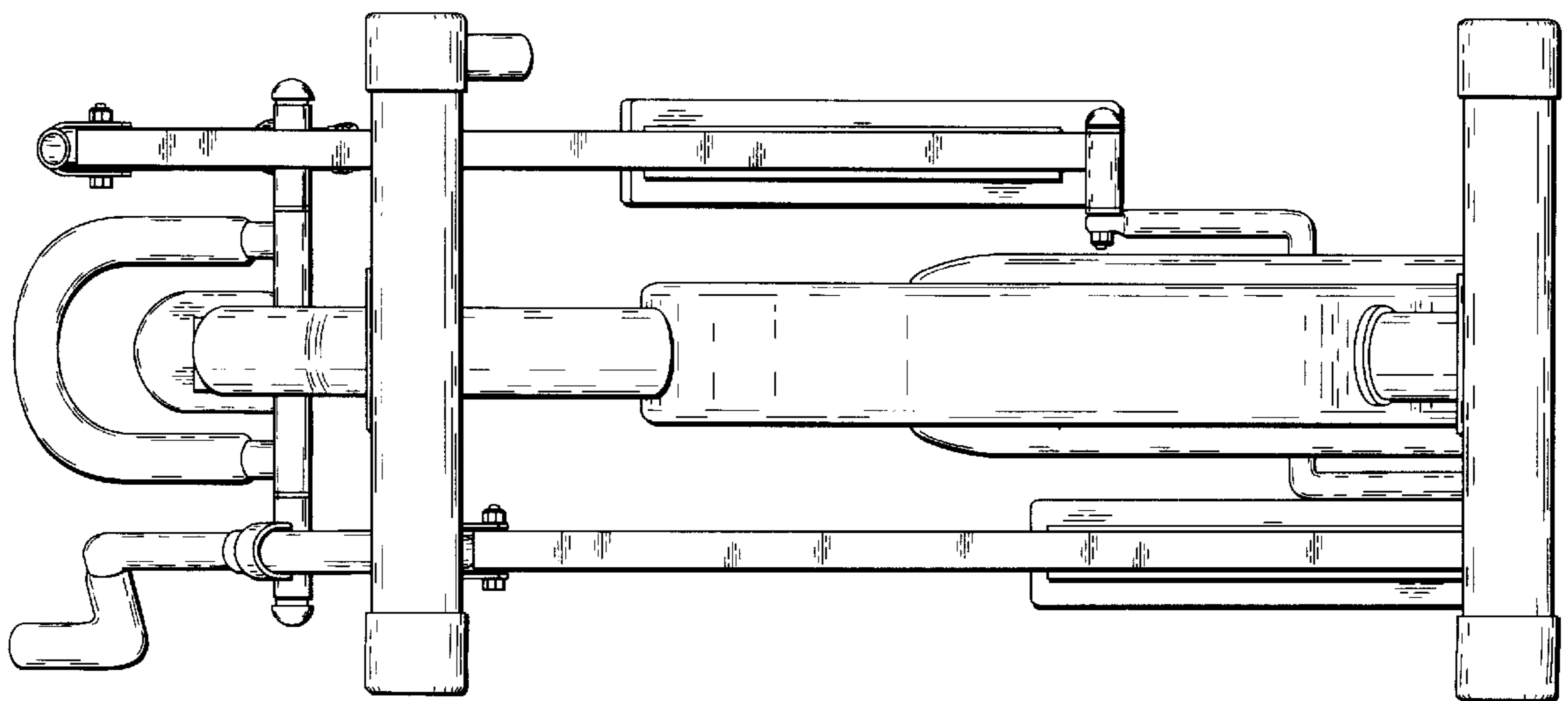


Fig. 7