



US00D459772S

(12) **United States Design Patent**
Meldeau

(10) **Patent No.:** **US D459,772 S**

(45) **Date of Patent:** **** Jul. 2, 2002**

(54) **WEIGHTLIFTING BAR STRAP**

(76) **Inventor:** **William Brent Meldeau**, 18685 Main St., Suite 434, Huntington Beach, CA (US) 92648

(**) **Term:** **14 Years**

(21) **Appl. No.:** **29/144,289**

(22) **Filed:** **Jul. 2, 2001**

(51) **LOC (7) Cl.** **21-02**

(52) **U.S. Cl.** **D21/662**

(58) **Field of Search** D21/662; 482/93, 482/139, 105, 106, 108; 602/36; 2/161.1

(56) **References Cited**

U.S. PATENT DOCUMENTS

4,809,974 A * 3/1989 Buhr 224/250
5,324,244 A * 6/1994 Miller et al. 482/106

5,745,920 A * 5/1998 Olivier 2/161.1
5,888,180 A * 3/1999 Dewberry 2/161.1
5,997,494 A * 12/1999 Watkins et al. 482/105
6,168,556 B1 * 1/2001 Saavedra 224/220

* cited by examiner

Primary Examiner—Philip S. Hyder
(74) *Attorney, Agent, or Firm*—James G. O’Neill

(57) **CLAIM**

The ornamental design for a weightlifting bar strap, as shown and described.

DESCRIPTION

FIG. 1 is a front perspective view showing my new design; FIG. 2 is a first side elevational view of FIG. 1, the other side being a mirror image thereof; and, FIG. 3 is a bottom perspective view thereof.

1 Claim, 2 Drawing Sheets

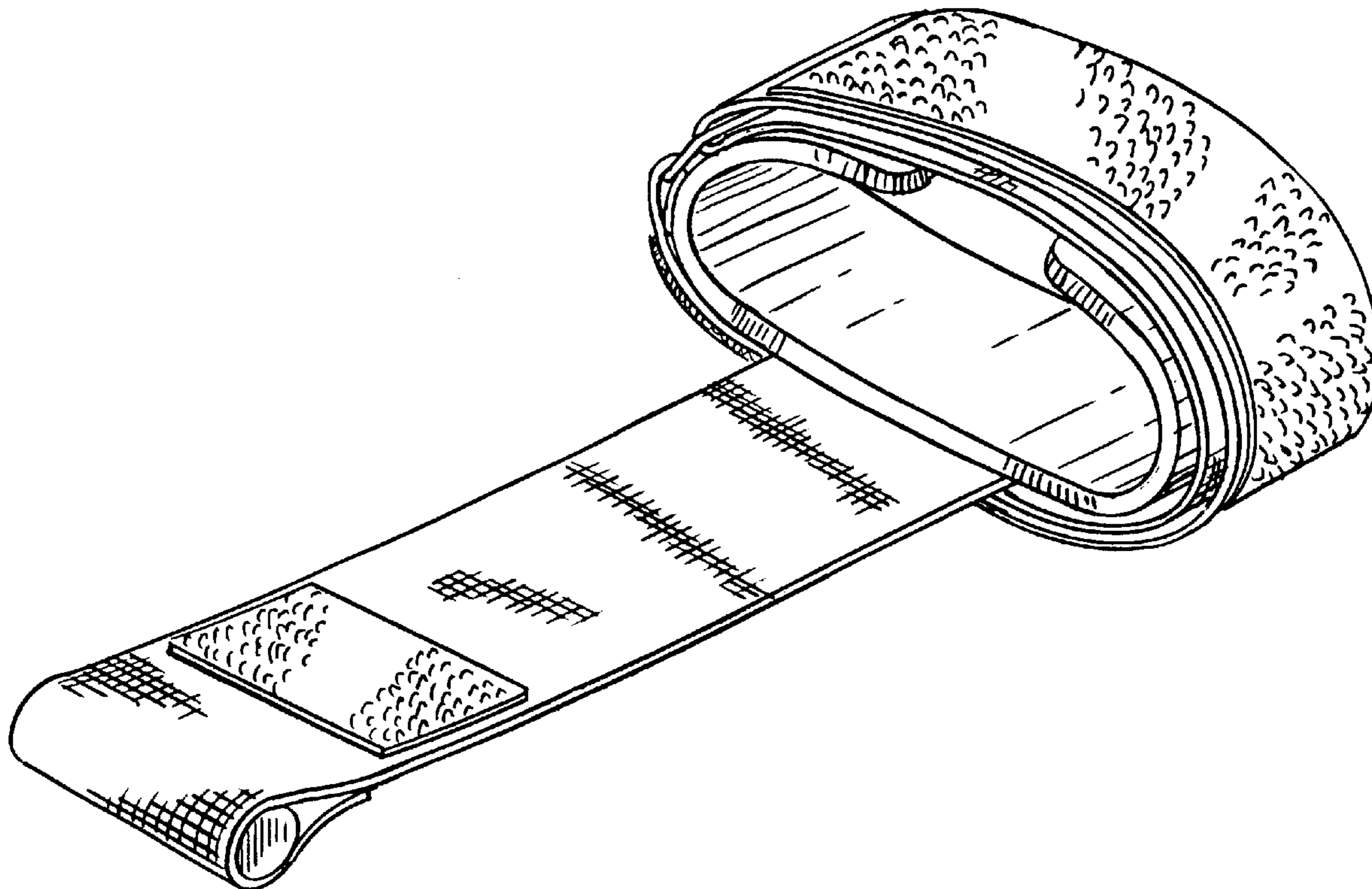


FIG. 1

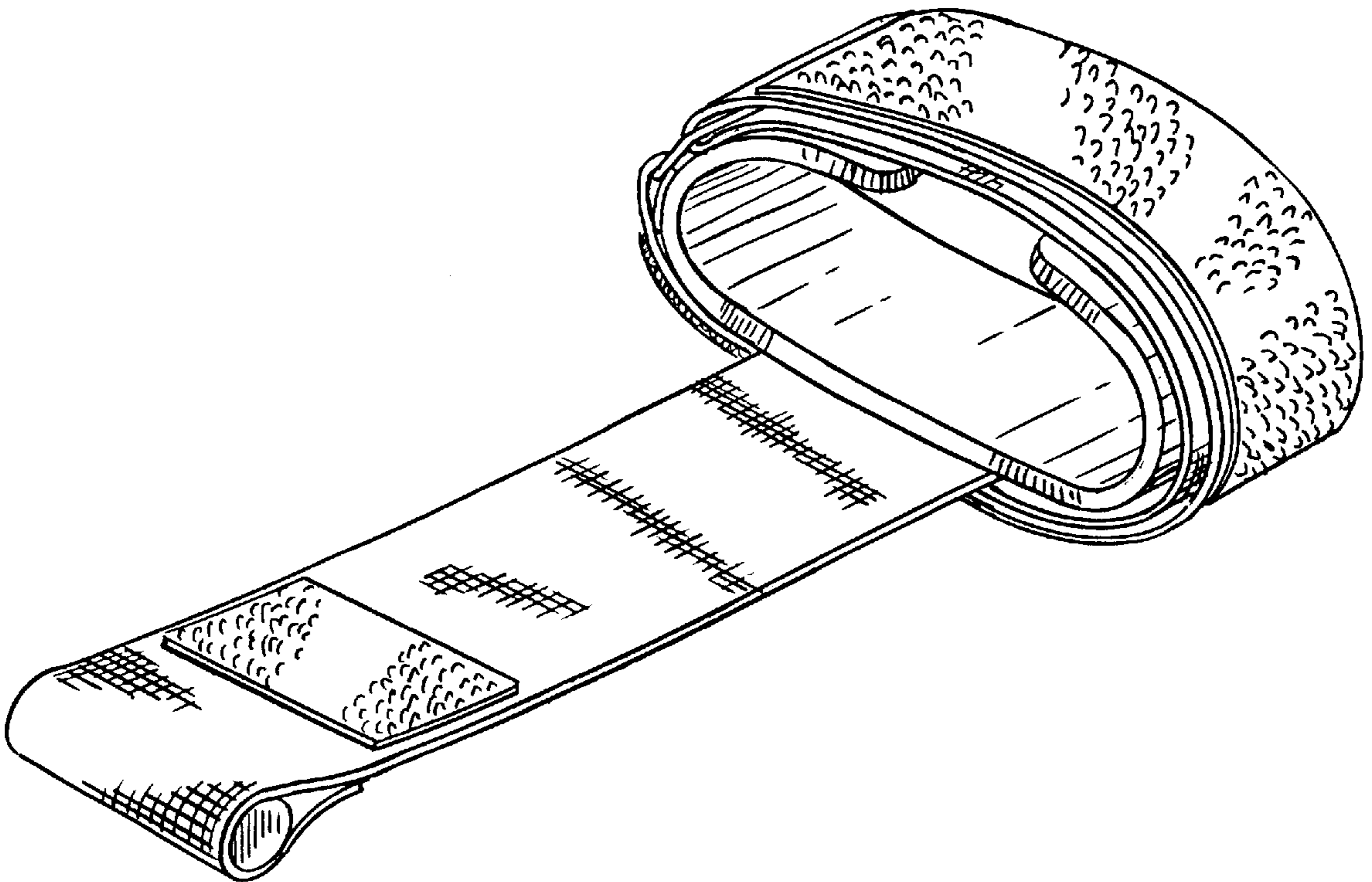




FIG. 2

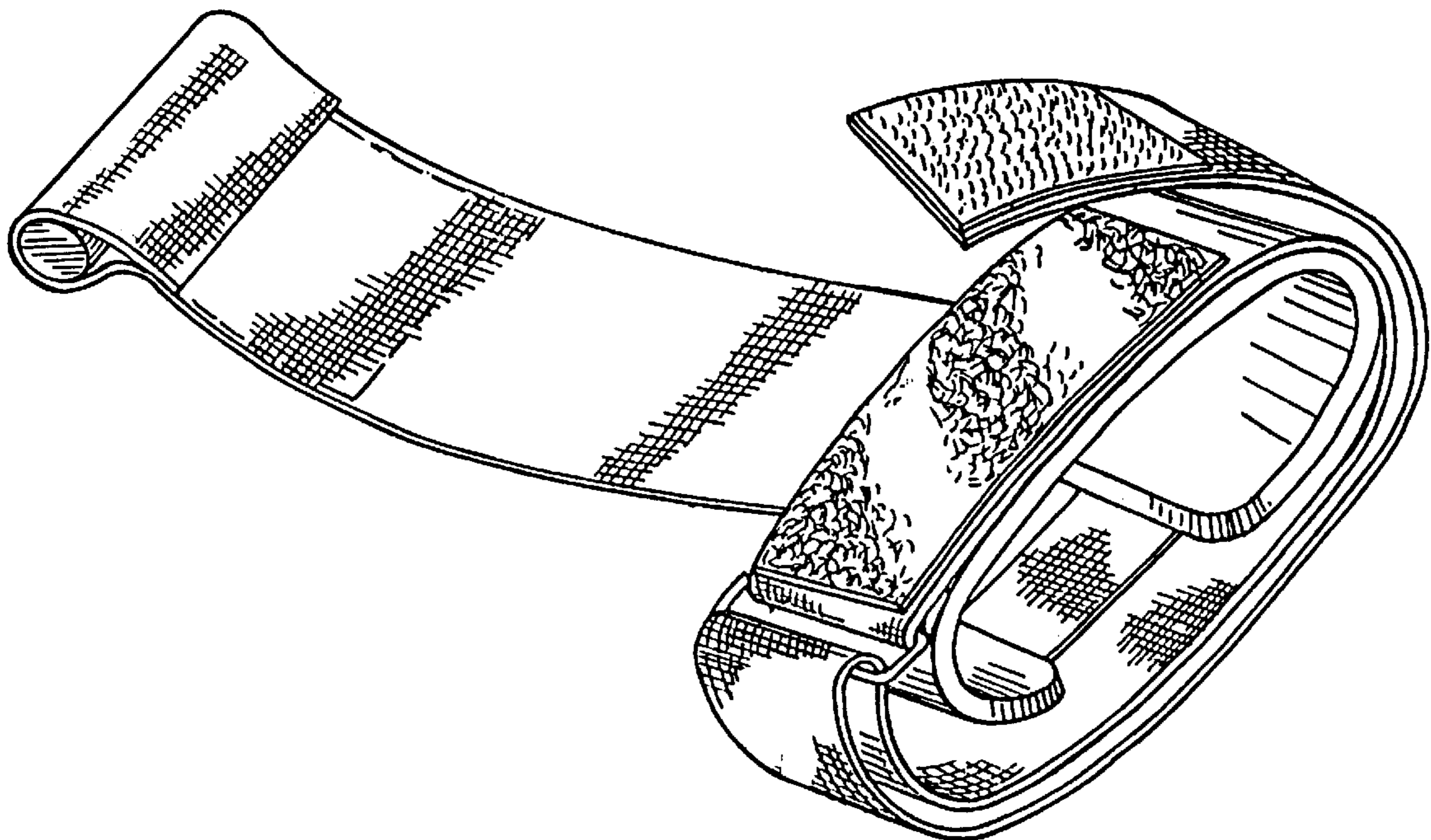


FIG. 3