



US00D459767S

(12) **United States Design Patent**
Rushton

(10) **Patent No.:** **US D459,767 S**

(45) **Date of Patent:** **** Jul. 2, 2002**

(54) **PAINTBALL HOPPER FOR A PAINTBALL LAUNCHER**

6,305,367 B1 * 10/2001 Kotsiopoulos 124/49

* cited by examiner

(76) **Inventor:** **Ennis Rushton**, 660 E. Bird La.,
Litchfield Park, AZ (US) 85340

Primary Examiner—Raphael Barkai

(**) **Term:** **14 Years**

(74) *Attorney, Agent, or Firm*—Holme Roberts & Owen LLP

(21) **Appl. No.:** **29/140,615**

(57) **CLAIM**

(22) **Filed:** **Apr. 19, 2001**

The ornamental design for the paintball hopper for a paintball launcher, as shown and described.

(51) **LOC (7) Cl.** **21-01**

DESCRIPTION

(52) **U.S. Cl.** **D21/573**

(58) **Field of Search** D21/567-575;
D22/103, 108; 446/473; 273/349; 124/41.1,
51.1-53.5, 49, 48, 74, 45, 82

FIG. 1 is a front perspective view of a paintball hopper for a paintball launcher showing my new design;

FIG. 2 is a first side elevational view of the paintball hopper for a paintball launcher of FIG. 1;

FIG. 3 is a second side elevational view of the paintball hopper for a paintball launcher of FIG. 1;

FIG. 4 is a front elevational view of the paint ball hopper for a paintball launcher of FIG. 1;

FIG. 5 is a rear elevational view of the paint ball hopper for a paintball launcher of FIG. 1;

FIG. 6 is a top plan view of the paint ball hopper for a paintball launcher of FIG. 1; and,

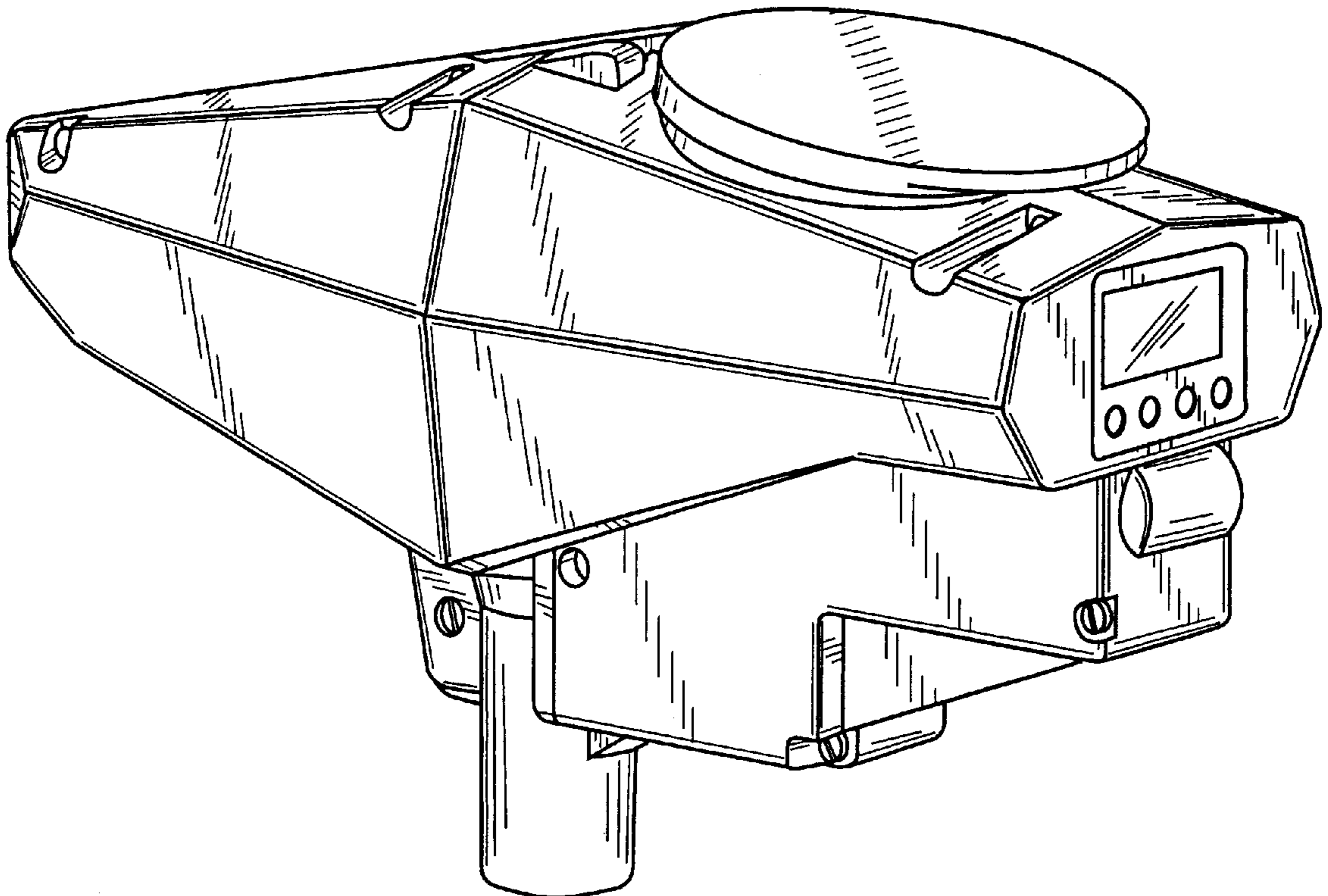
FIG. 7 is a bottom plan view of the paint ball hopper for a paintball launcher of FIG. 1.

(56) **References Cited**

U.S. PATENT DOCUMENTS

D337,627 S	*	7/1993	Moran	D21/572
5,282,454 A		2/1994	Bell et al.		
D359,529 S	*	6/1995	Nguyen	D22/103
5,505,188 A	*	4/1996	Williams	124/74
5,722,383 A		3/1998	Tippmann, Sr. et al.		
5,794,606 A	*	8/1998	Deak	124/51.1
5,816,232 A		10/1998	Bell		
5,947,100 A		9/1999	Anderson		
6,055,975 A	*	5/2000	Gallagher et al.	124/49
6,213,110 B1	*	4/2001	Christopher	124/48

1 Claim, 3 Drawing Sheets



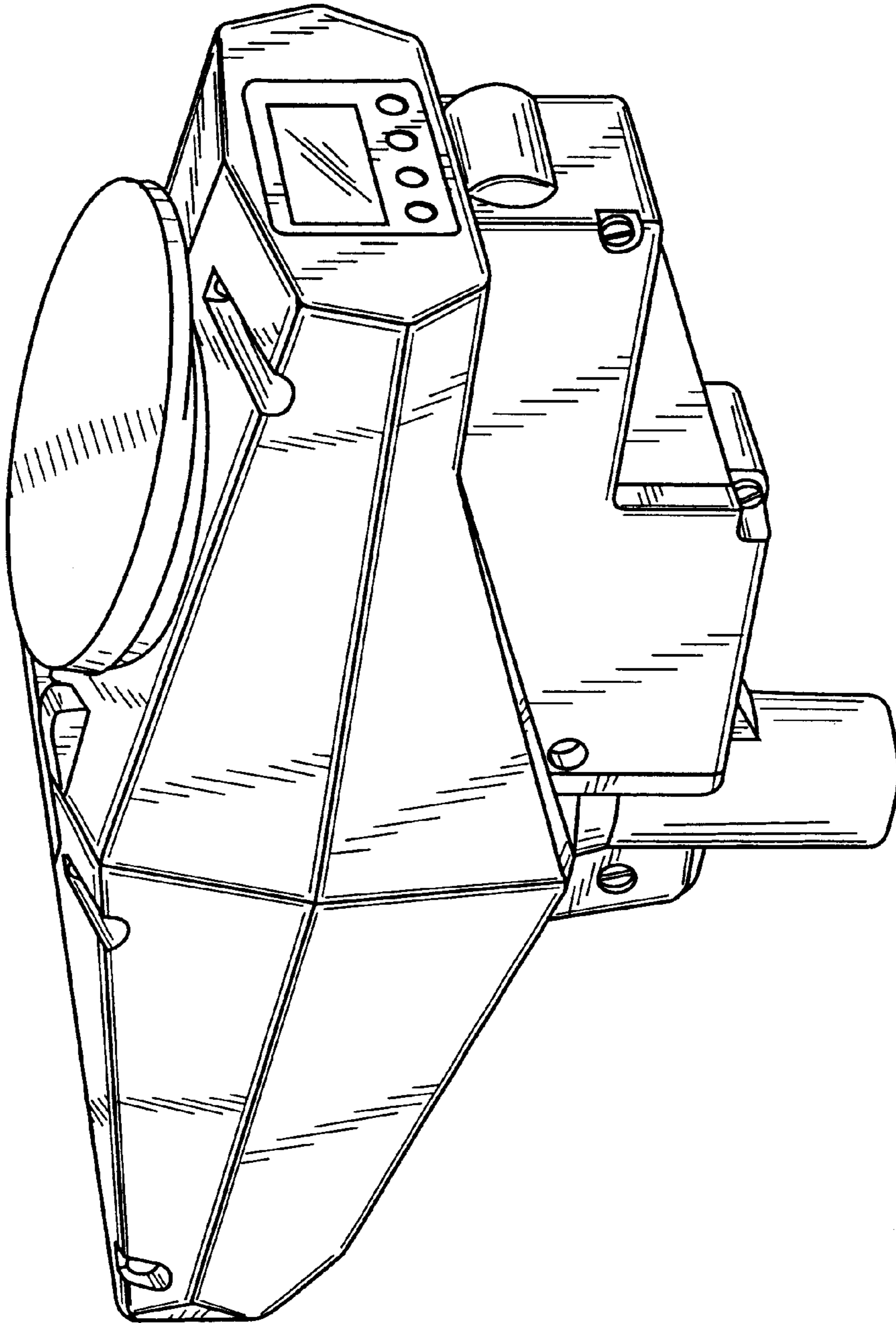


Fig. 1

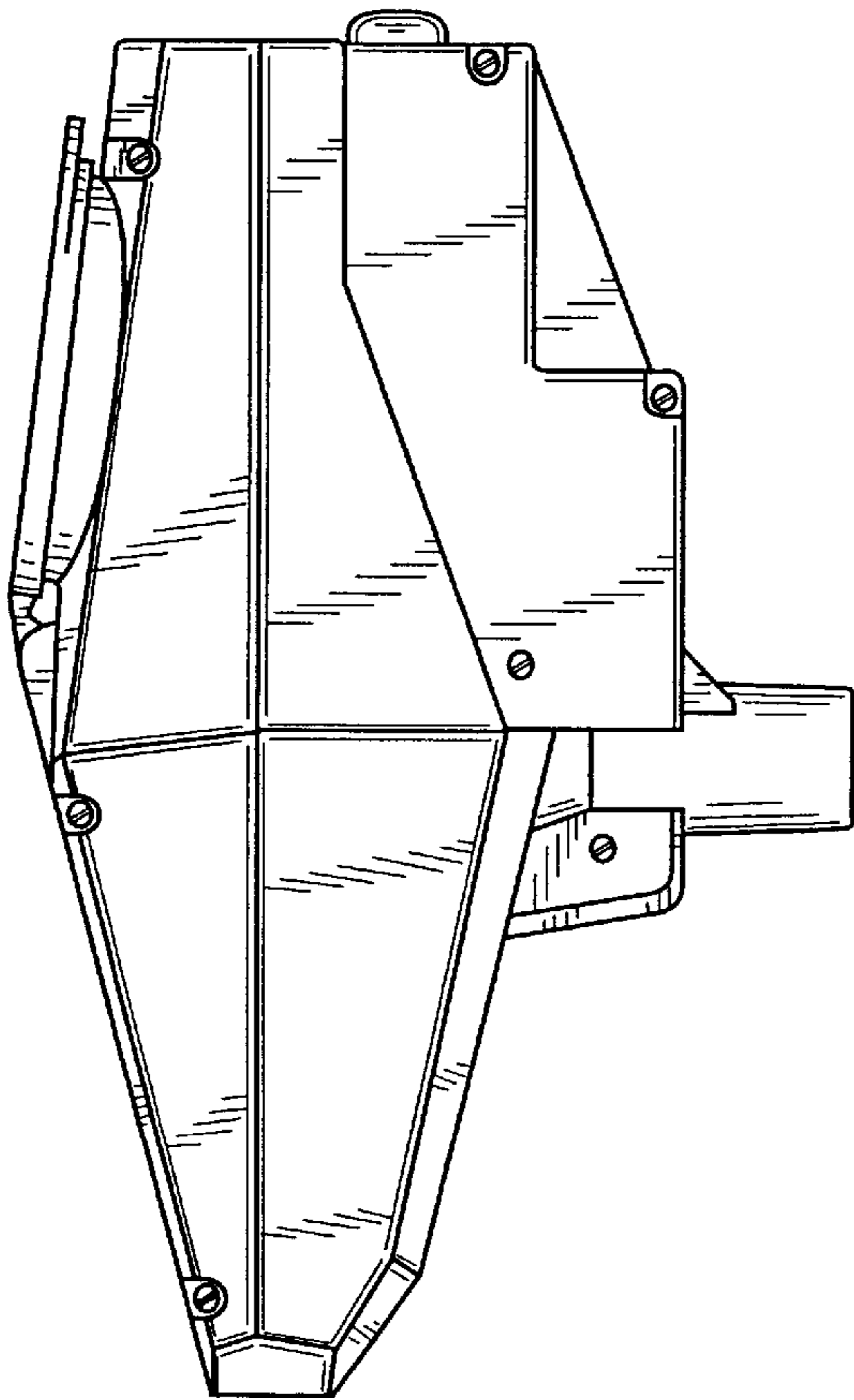


Fig. 2

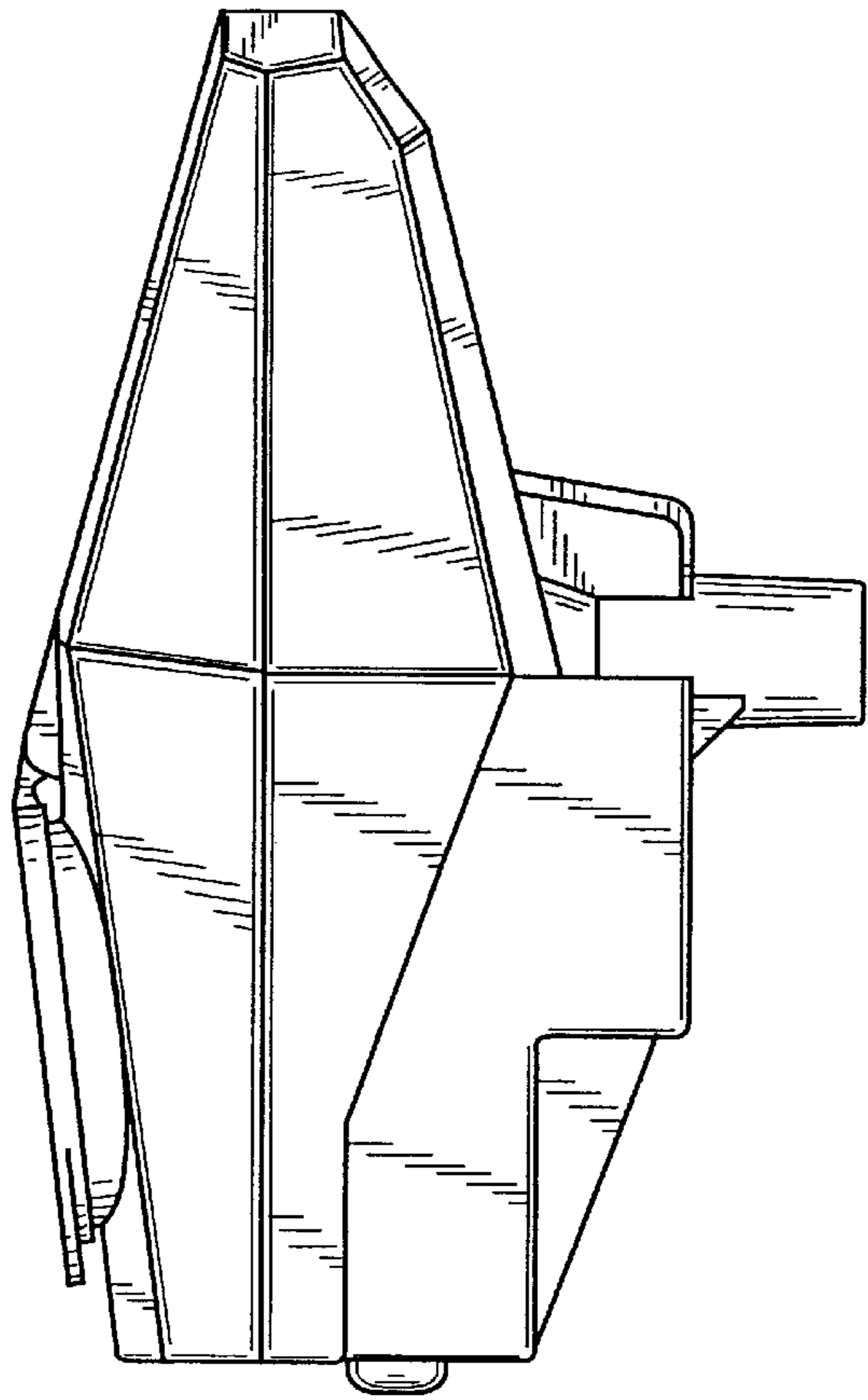


Fig. 3

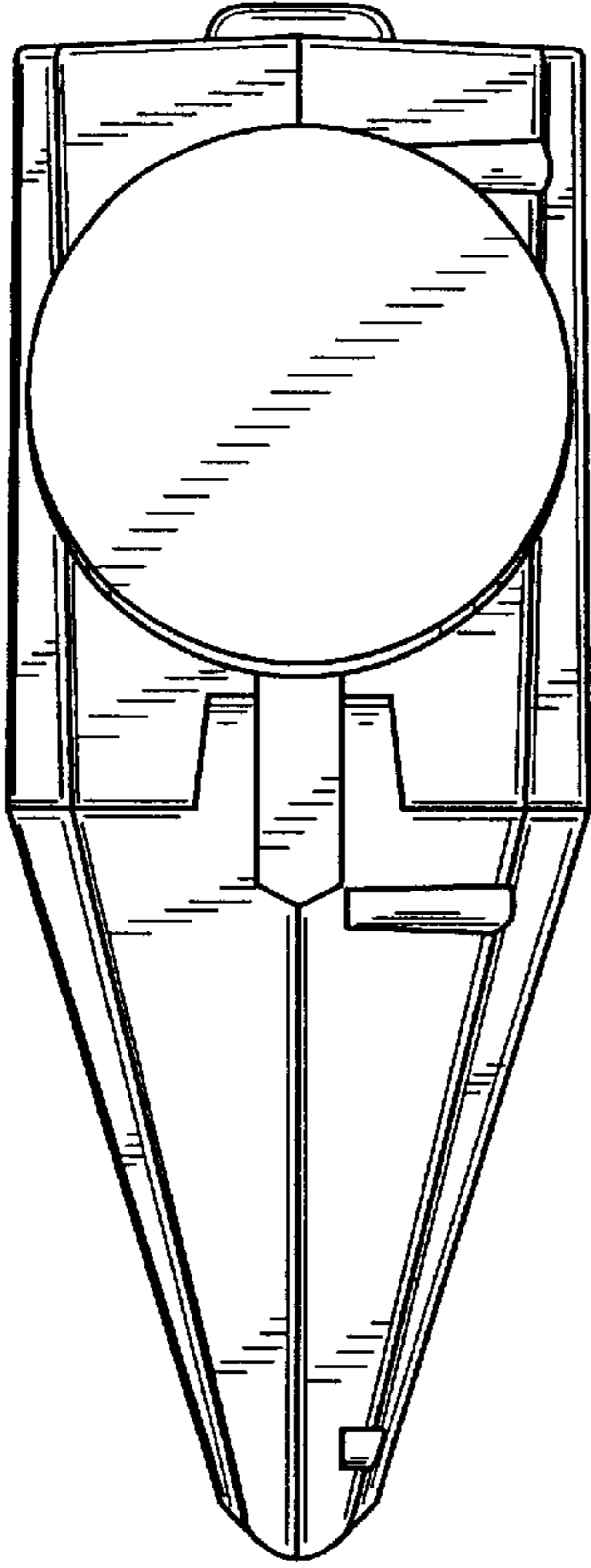


Fig. 6

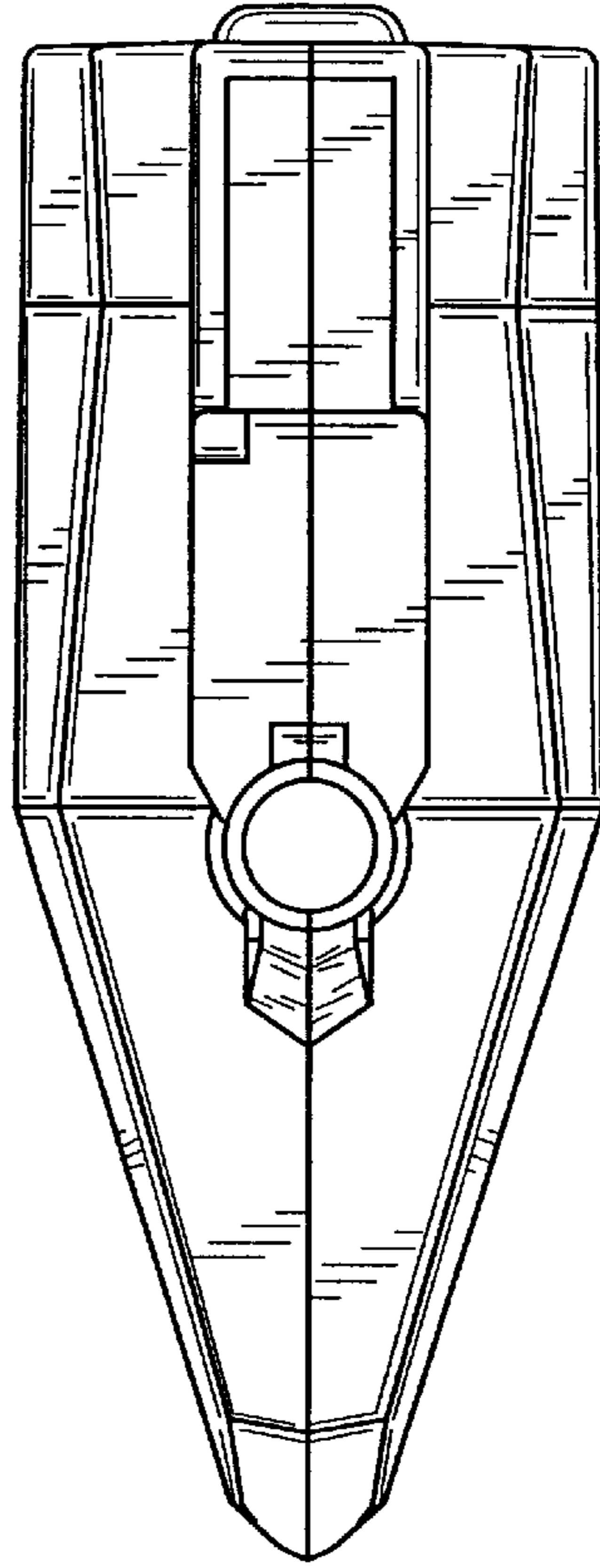


Fig. 7

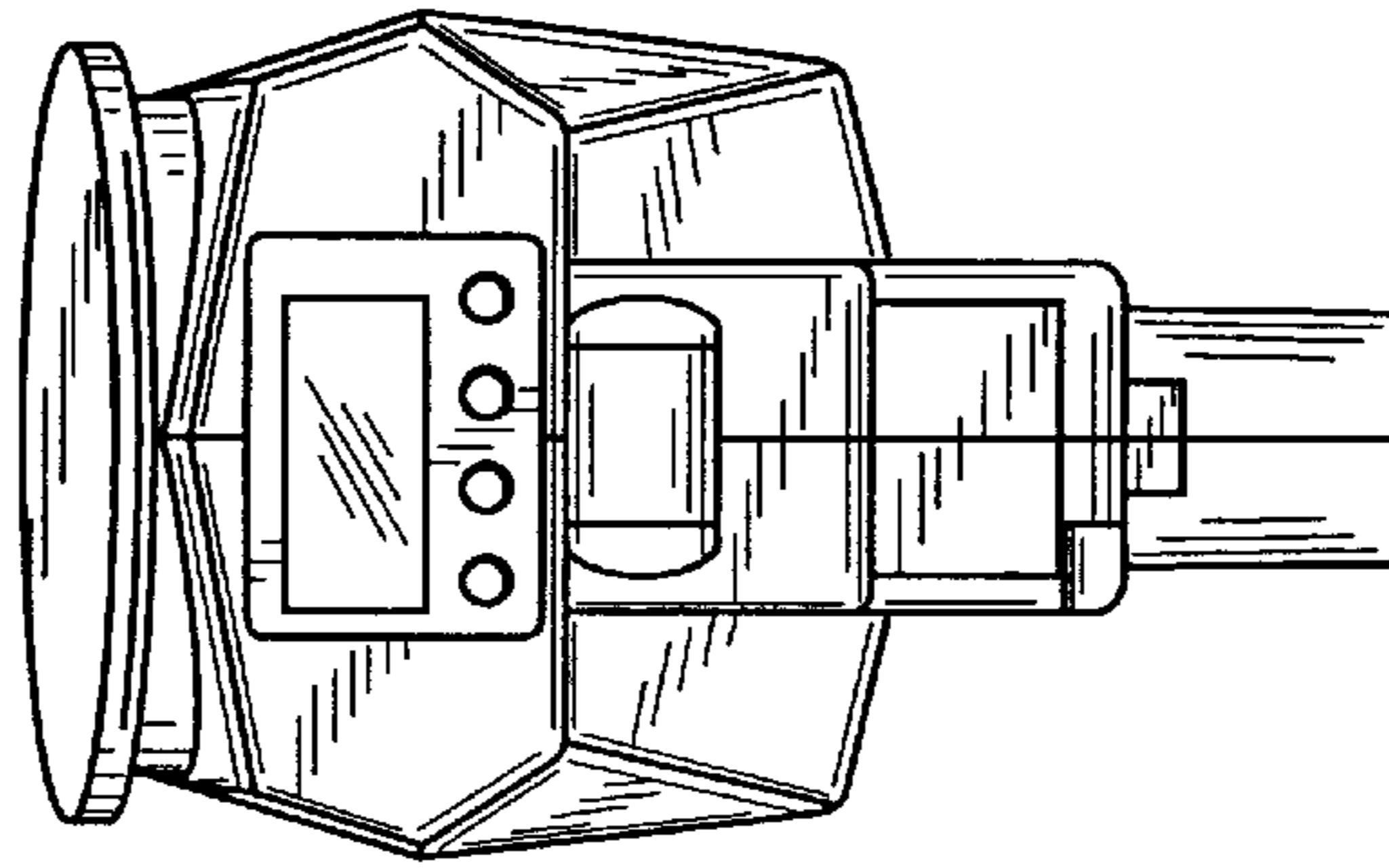


Fig. 5

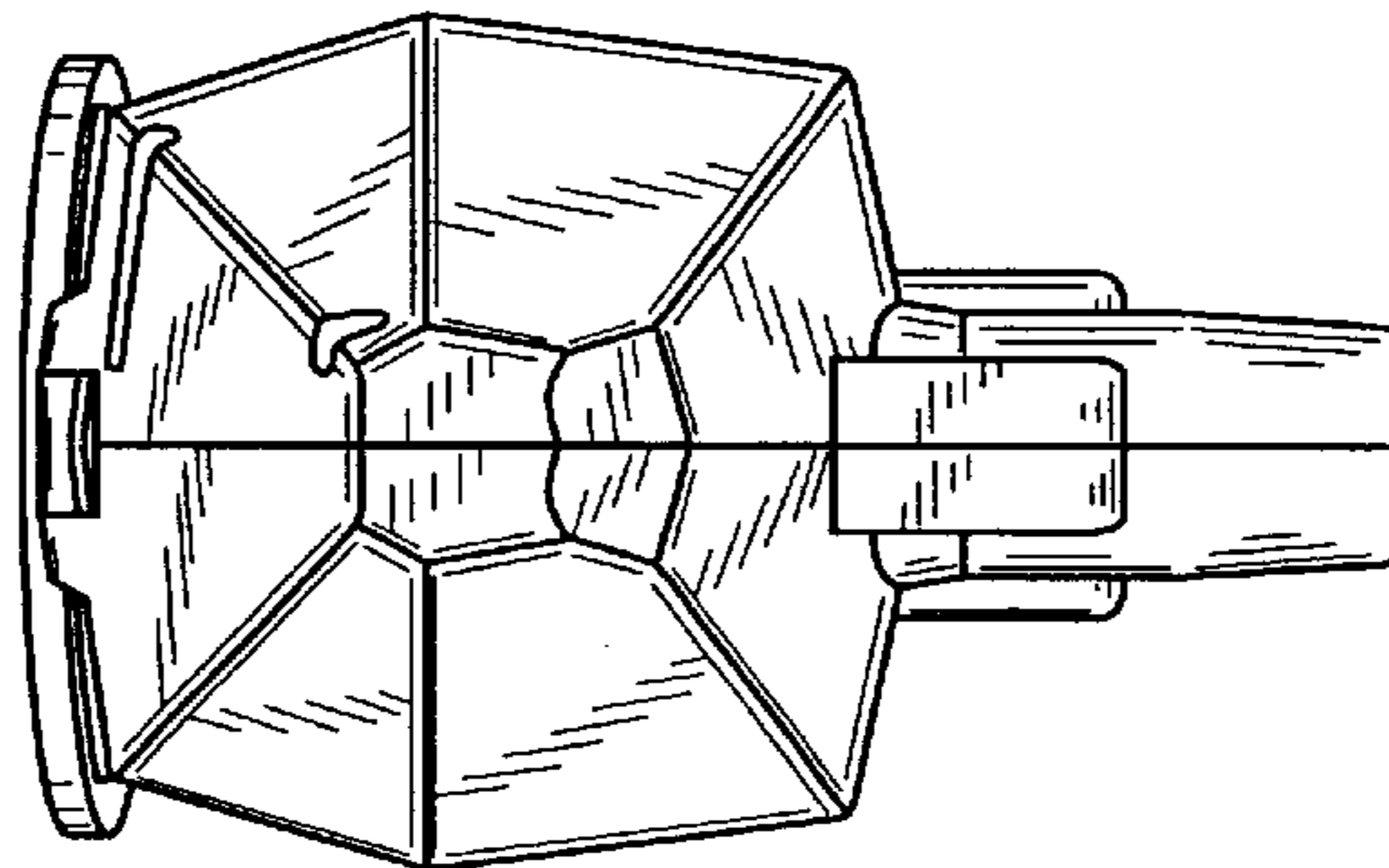


Fig. 4