



US00D459766S

(12) **United States Design Patent**
Wang

(10) **Patent No.:** **US D459,766 S**

(45) **Date of Patent:** **** Jul. 2, 2002**

- (54) **KITE**
- (75) **Inventor:** **Jung-Yuan (Jay) Wang**, Mississauga (CA)
- (73) **Assignee:** **Itemax International, Inc.**, Mississauga (CA)
- (**) **Term:** **14 Years**
- (21) **Appl. No.:** **29/132,800**
- (22) **Filed:** **Nov. 16, 2000**
- (51) **LOC (7) Cl.** **21-02**
- (52) **U.S. Cl.** **D21/445**
- (58) **Field of Search** D21/443, 445, D21/446; 244/153 R, 154, 155, 155 A

- D428,072 S * 7/2000 Wang D21/453
- D428,451 S * 7/2000 Wang D21/453
- D432,187 S * 10/2000 Wang D21/445
- D443,902 S * 6/2001 Wang D21/445

OTHER PUBLICATIONS

Into the Wind, Inc. "Into the Wind—1999 Catalog of Kites", 1999, p. 63.
 6 photographs of F16 stunt kite by Gone With The Wind.
 * cited by examiner

Primary Examiner—Dominic Simone
 (74) *Attorney, Agent, or Firm*—Bereskin & Parr

(57) **CLAIM**

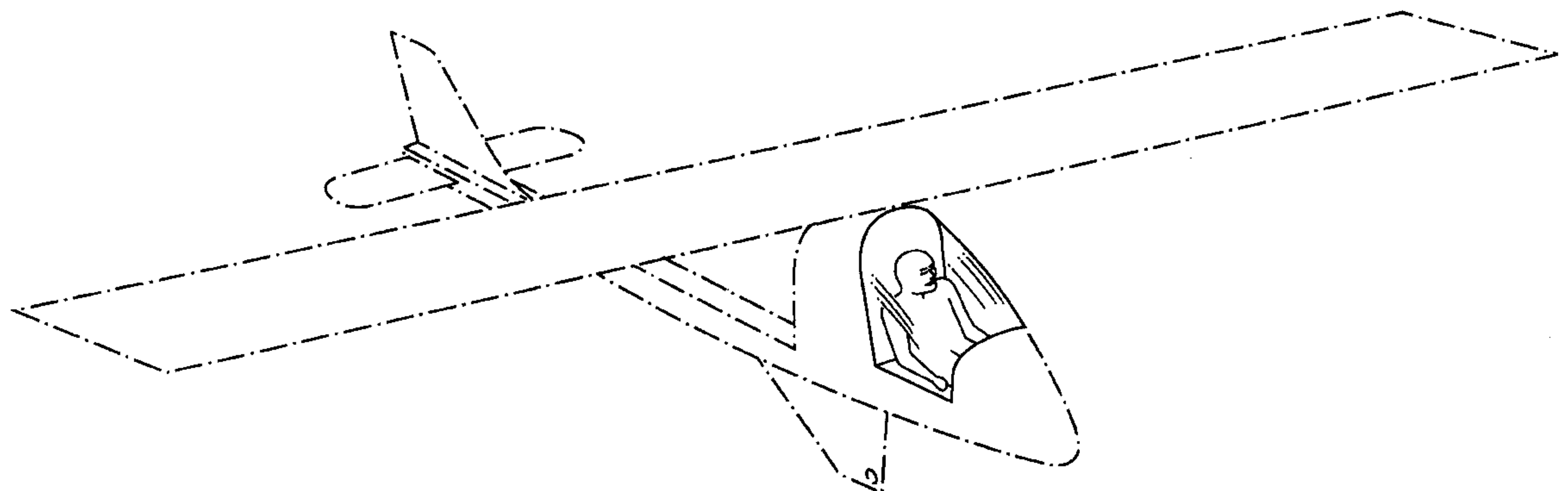
The ornamental design for a kite, as shown and described.

DESCRIPTION

FIG. 1 is a front, left isometric view of a kite showing my new design;
 FIG. 2 is a right side elevational view thereof;
 FIG. 3 is a left side elevational view thereof;
 FIG. 4 is a front elevational view thereof; and,
 FIG. 5 is a top plan view thereof.
 The portion of the kite shown in broken lines is for illustrative purposes only and forms no part of the claimed design.

1 Claim, 5 Drawing Sheets

- (56) **References Cited**
- U.S. PATENT DOCUMENTS**
- D57,437 S 3/1921 Keller
- D95,101 S 4/1935 Williams
- 2,124,992 A 7/1938 Wood 244/154
- D168,383 S * 12/1952 Smith D21/445
- 3,284,033 A 11/1966 Ventre 244/154
- D223,716 S * 5/1972 Choong D21/445
- D246,736 S 12/1977 Barrett et al. D34/15
- 4,830,313 A 5/1989 Cheng 244/154
- D407,126 S 3/1999 Wang D21/445
- D428,071 S * 7/2000 Wang D21/453



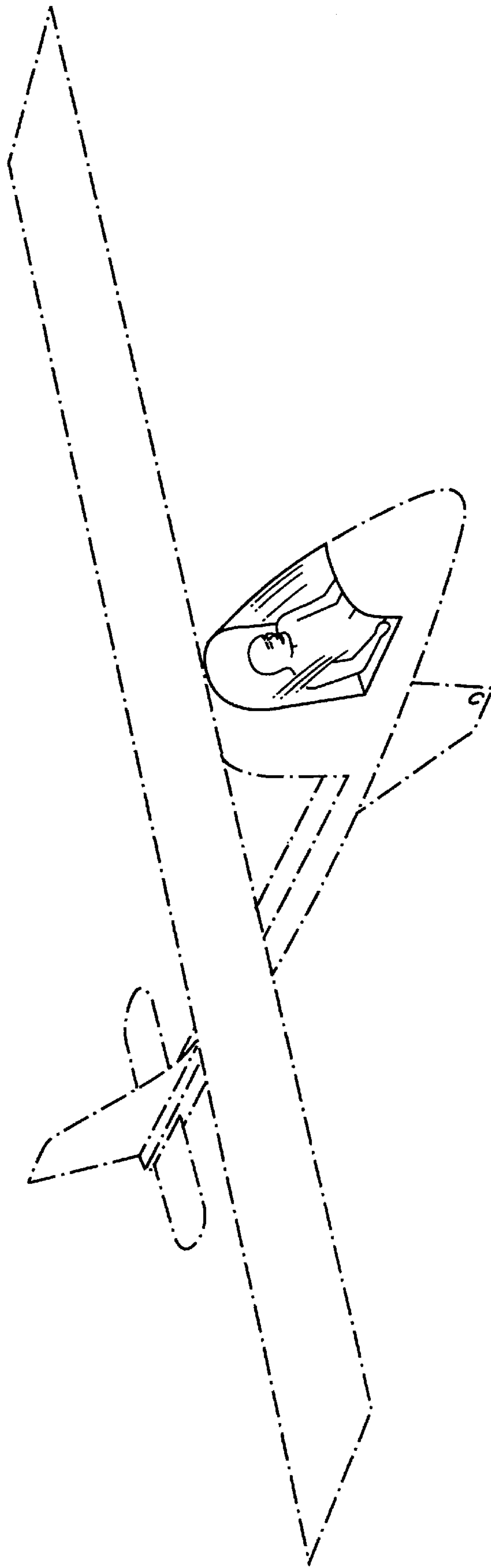


Fig. 1

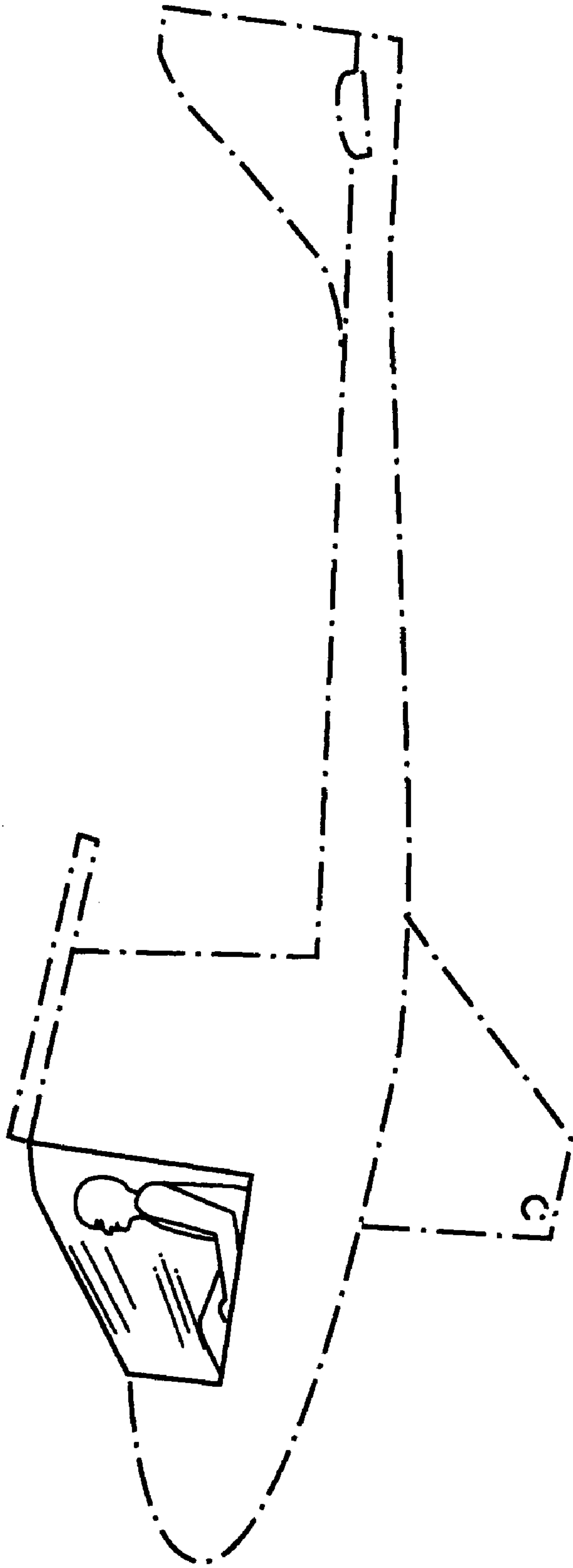


Fig. 2

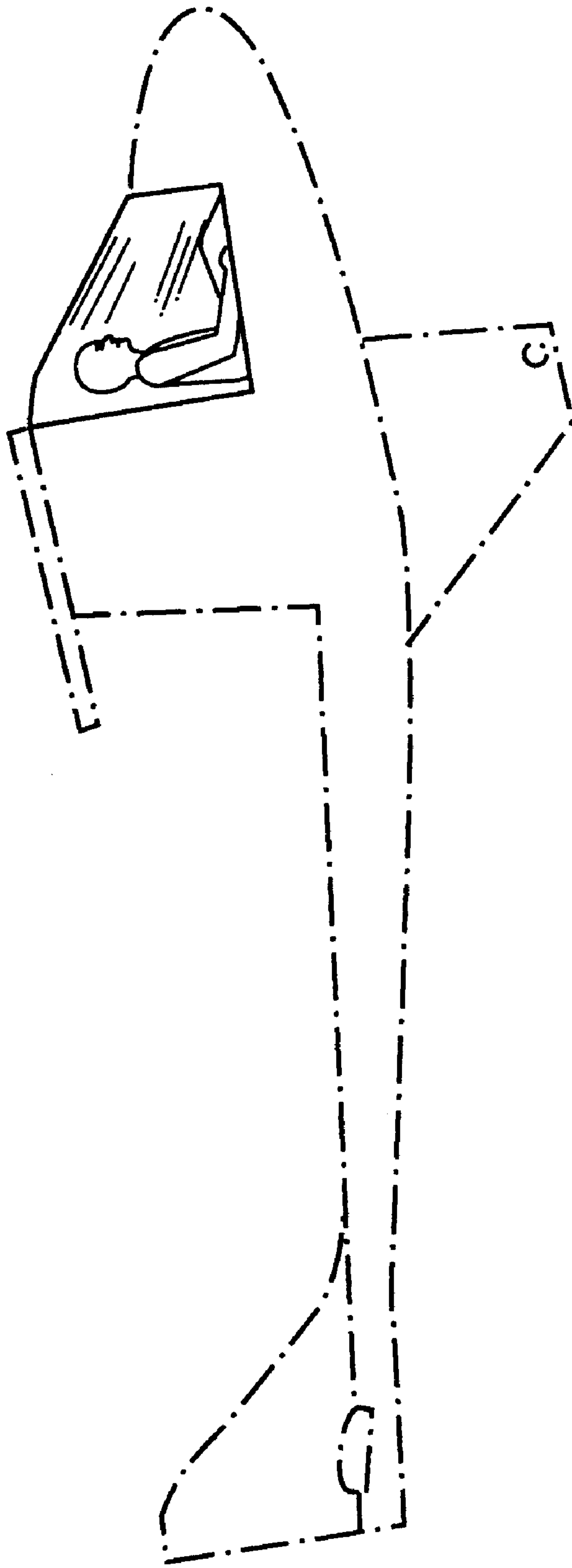


Fig. 3

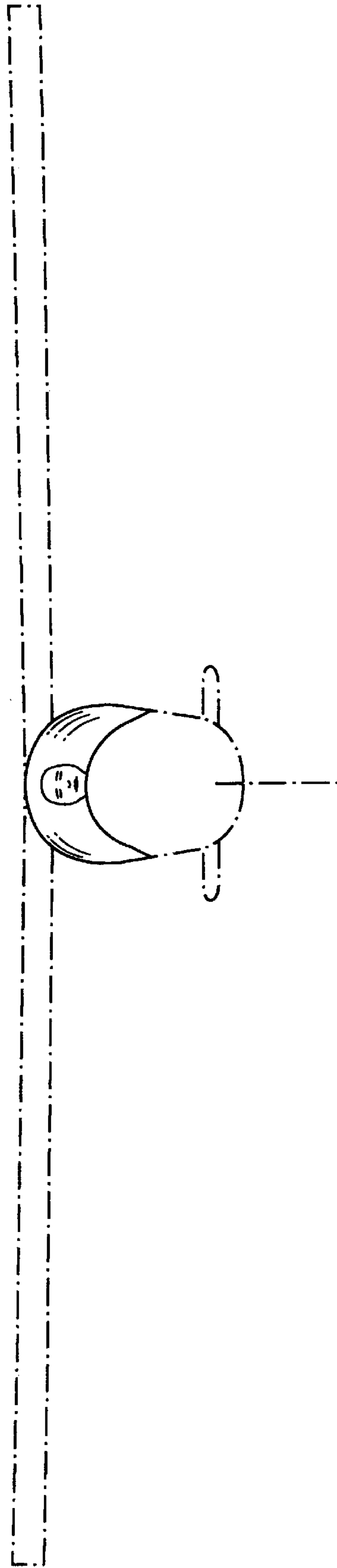


Fig. 4

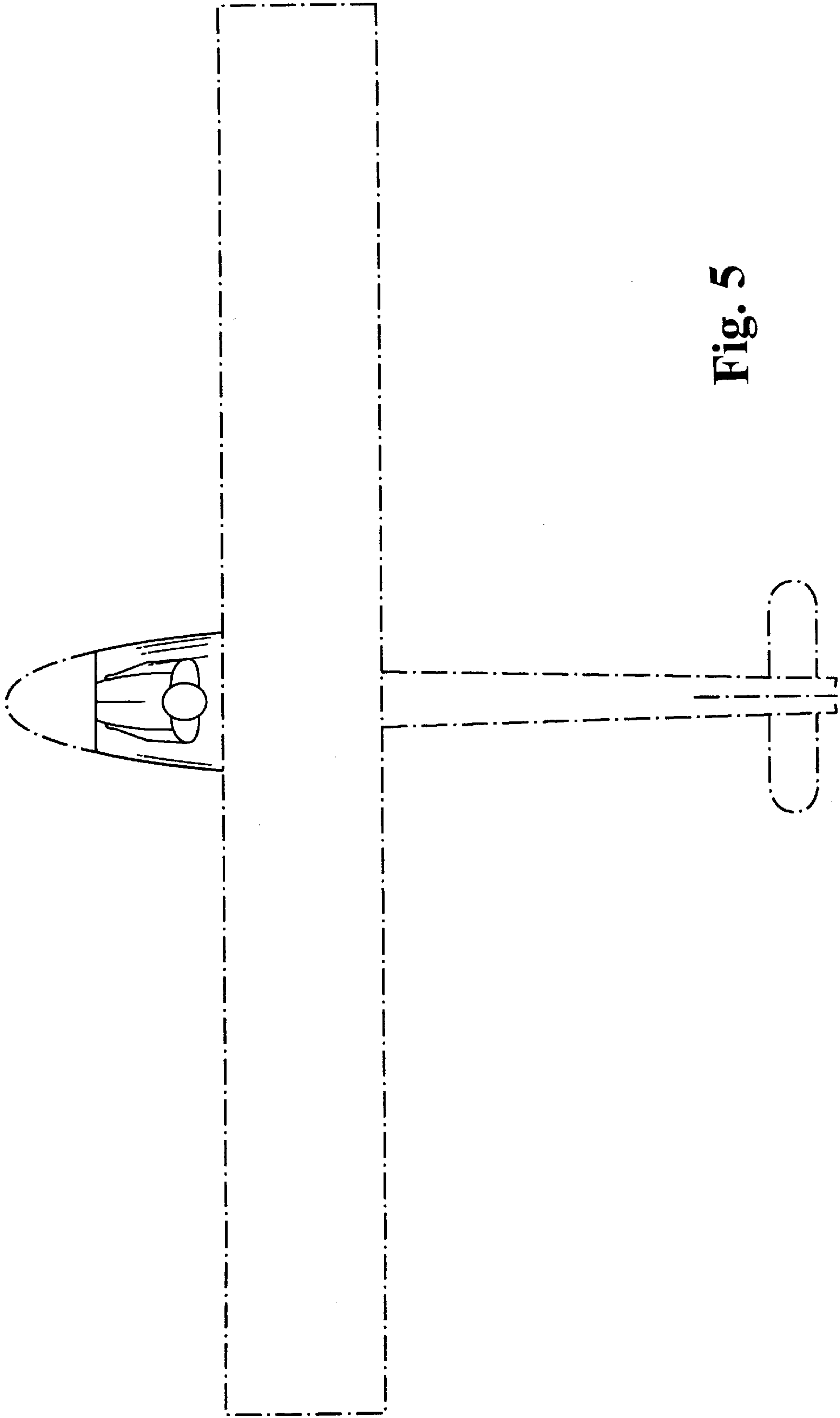


Fig. 5