



US00D459764S

(12) **United States Design Patent**  
**Hoelzel et al.**

(10) **Patent No.:** **US D459,764 S**

(45) **Date of Patent:** **\*\* Jul. 2, 2002**

(54) **SURFACE CONFIGURATION OF A VEHICLE AND A TOY**

(75) Inventors: **Guenter Hoelzel**, Hochdorf; **Franz Maier**, Alfdorf, both of (DE)

(73) Assignee: **DaimlerChrysler AG**, Stuttgart (DE)

(\*\*) Term: **14 Years**

(21) Appl. No.: **29/140,669**

(22) Filed: **Apr. 24, 2001**

**Related U.S. Application Data**

(62) Division of application No. 29/114,452, filed on Nov. 22, 1999.

(30) **Foreign Application Priority Data**

May 21, 1999 (DE) ..... 499040903

(51) **LOC (7) Cl.** ..... **21-01**

(52) **U.S. Cl.** ..... **D21/433; D21/548**

(58) **Field of Search** ..... D21/419-435,  
D21/533, 548-551; D12/1, 82, 85-92; 446/456,  
465, 470; 280/87.01, 87.021, 828, 1.13

(56) **References Cited**

**U.S. PATENT DOCUMENTS**

- D179,549 S \* 1/1957 Rivolta ..... D21/548
- D184,733 S \* 3/1959 Hofmeister ..... D12/90
- D282,476 S \* 2/1986 Arigaya ..... D21/548
- 5,106,150 A \* 4/1992 Litwicki ..... 446/470
- D338,925 S \* 8/1993 Van Huystee ..... D21/433

- D350,503 S \* 9/1994 Yang ..... D12/90
- D356,285 S \* 3/1995 Yang ..... D12/85
- D378,994 S \* 4/1997 Picard et al. .... D12/90
- D411,814 S \* 7/1999 Chibuka et al. .... D12/90
- D419,107 S \* 1/2000 Hofer et al. .... D12/1

\* cited by examiner

*Primary Examiner*—Raphael Barkai

(74) *Attorney, Agent, or Firm*—Crowell & Moring LLP

(57) **CLAIM**

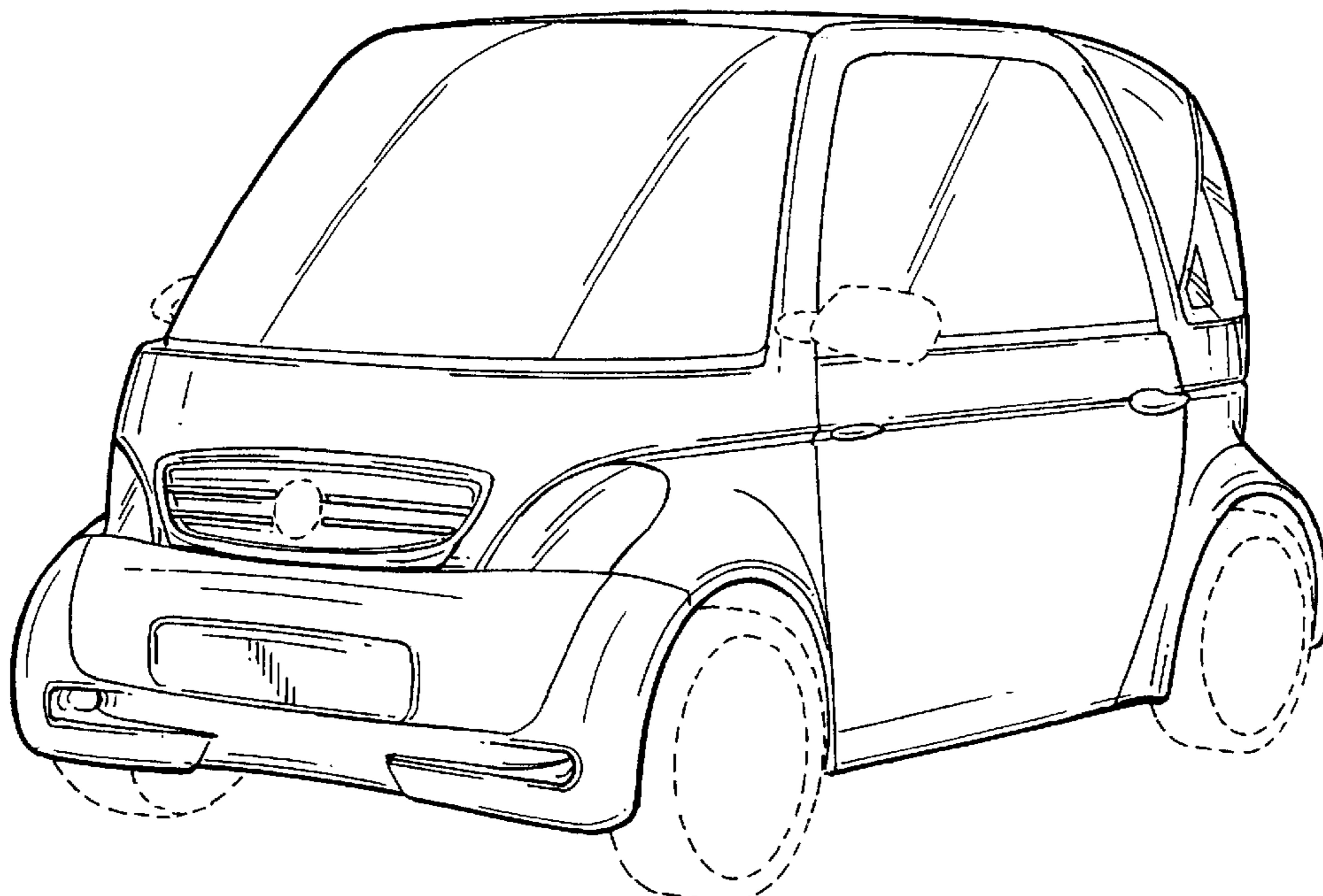
The ornamental design for a surface configuration of a vehicle and toy, as shown and described.

**DESCRIPTION**

FIG. 1 is a perspective view of a surface configuration of a vehicle and toy according to our novel design;  
 FIG. 2 is a front view of the surface configuration of a vehicle and toy according to our novel design;  
 FIG. 3 is a left view of the surface configuration of a vehicle and toy according to our novel design;  
 FIG. 4 is a right view of the surface configuration of a vehicle and toy according to our novel design;  
 FIG. 5 is a rear view of the surface configuration of a vehicle and toy according to our novel design;  
 FIG. 6 is a top view of the surface configuration of a vehicle and toy according to our novel design; and,  
 FIG. 7 is a top view of a modified embodiment of the surface configuration of a vehicle and toy according to our novel design.

The dash lines included depict environment and are not part of the claimed design.

**1 Claim, 4 Drawing Sheets**



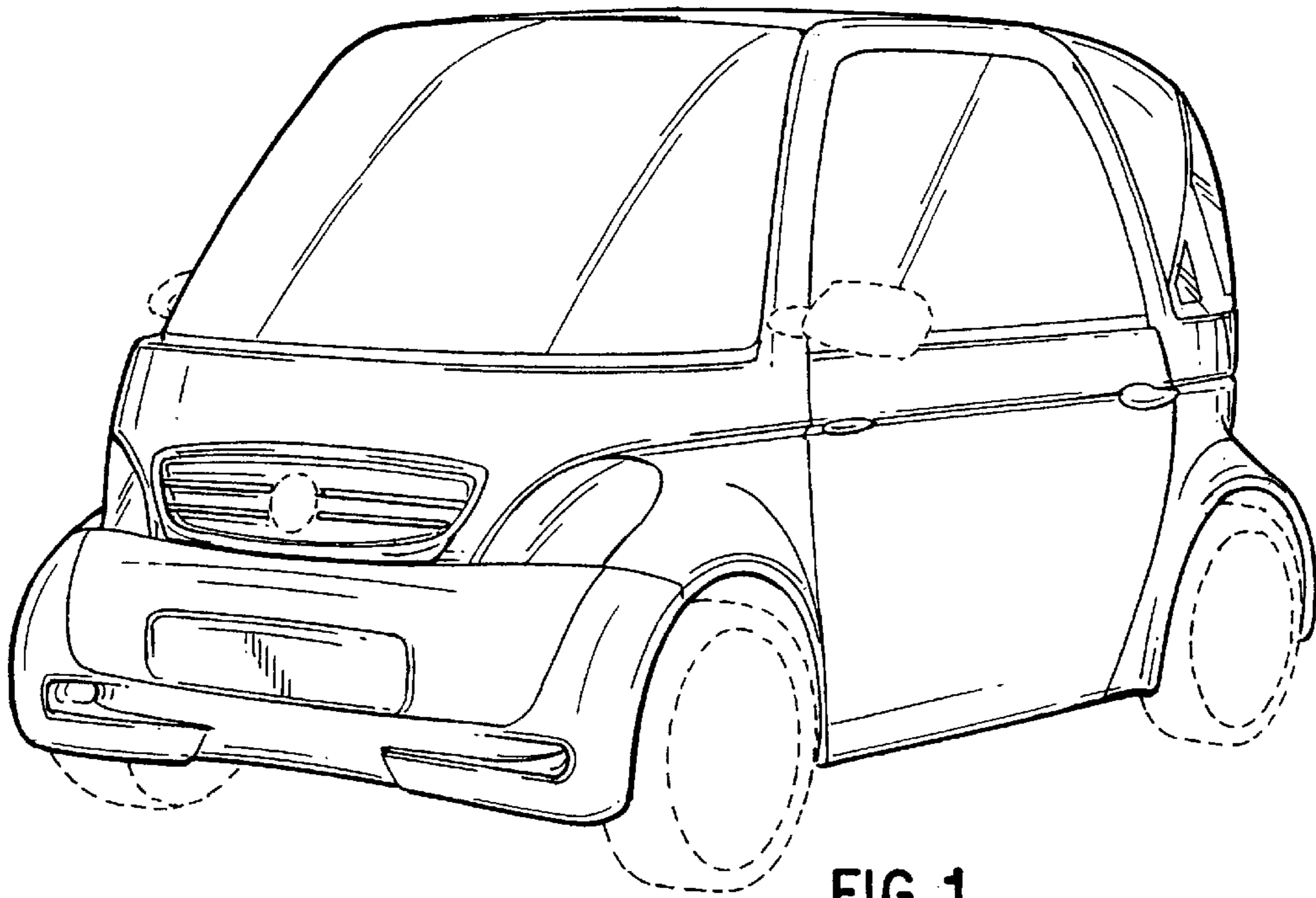


FIG. 1

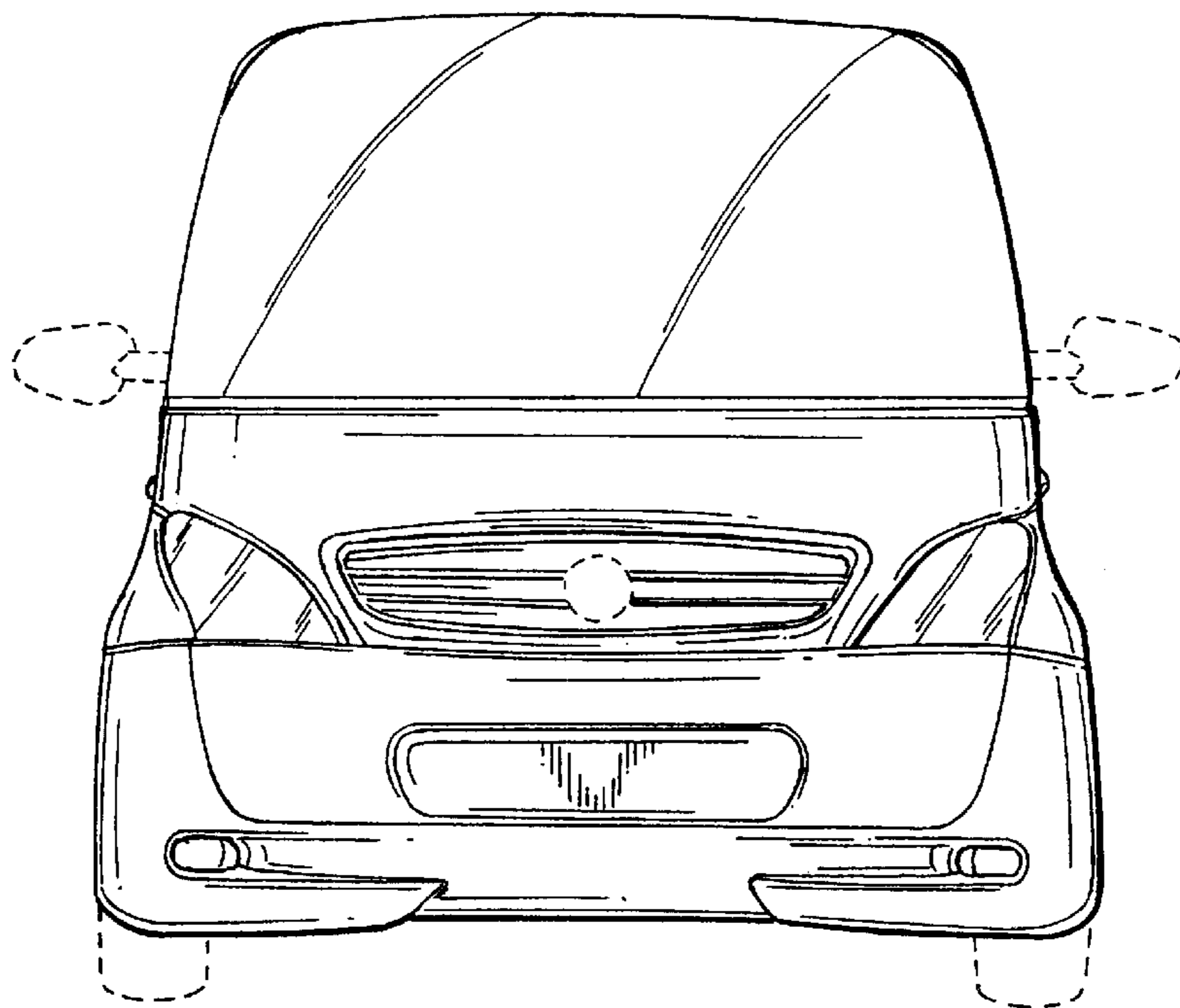


FIG. 2

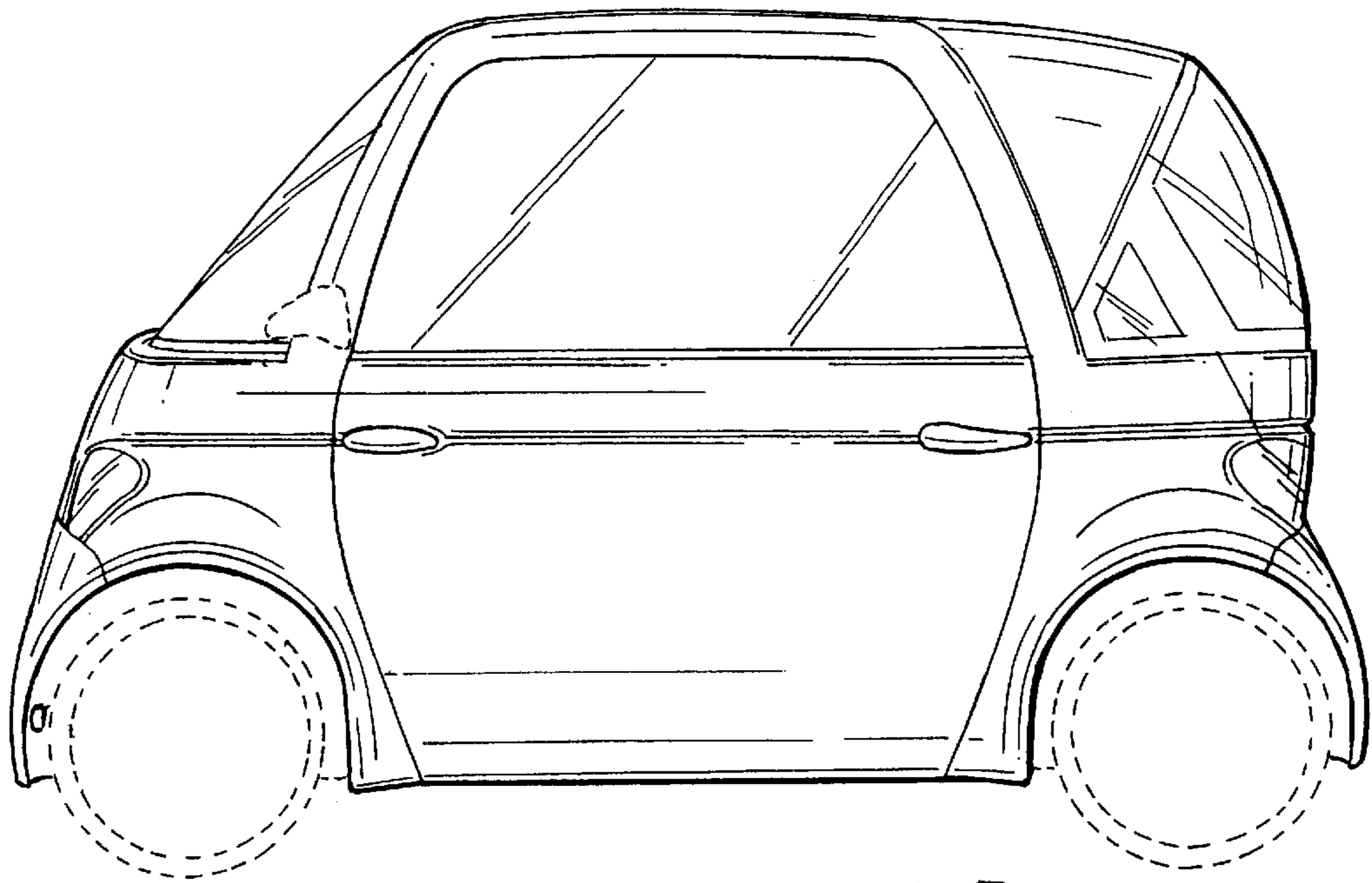


FIG. 3

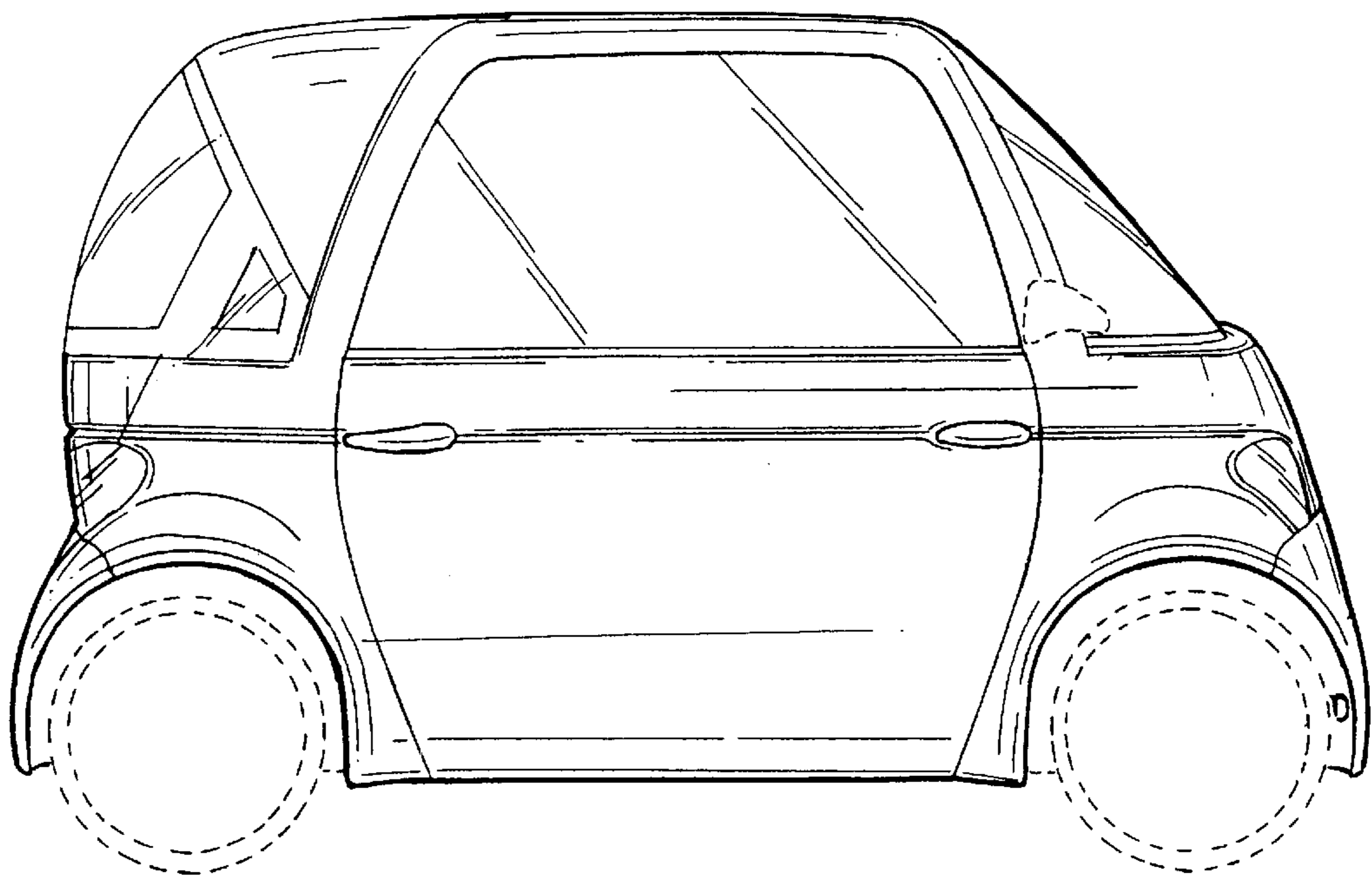


FIG. 4



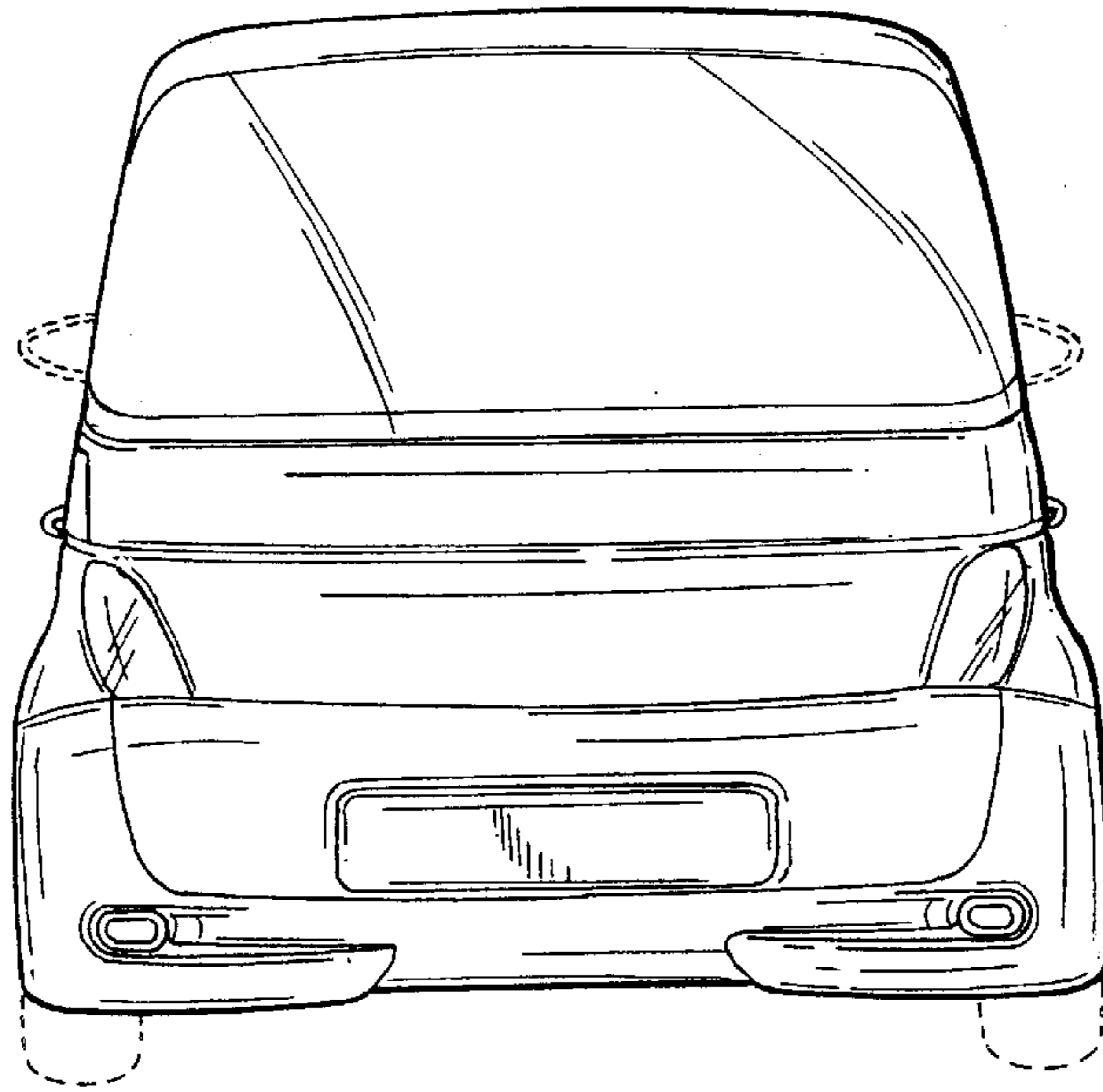


FIG. 5

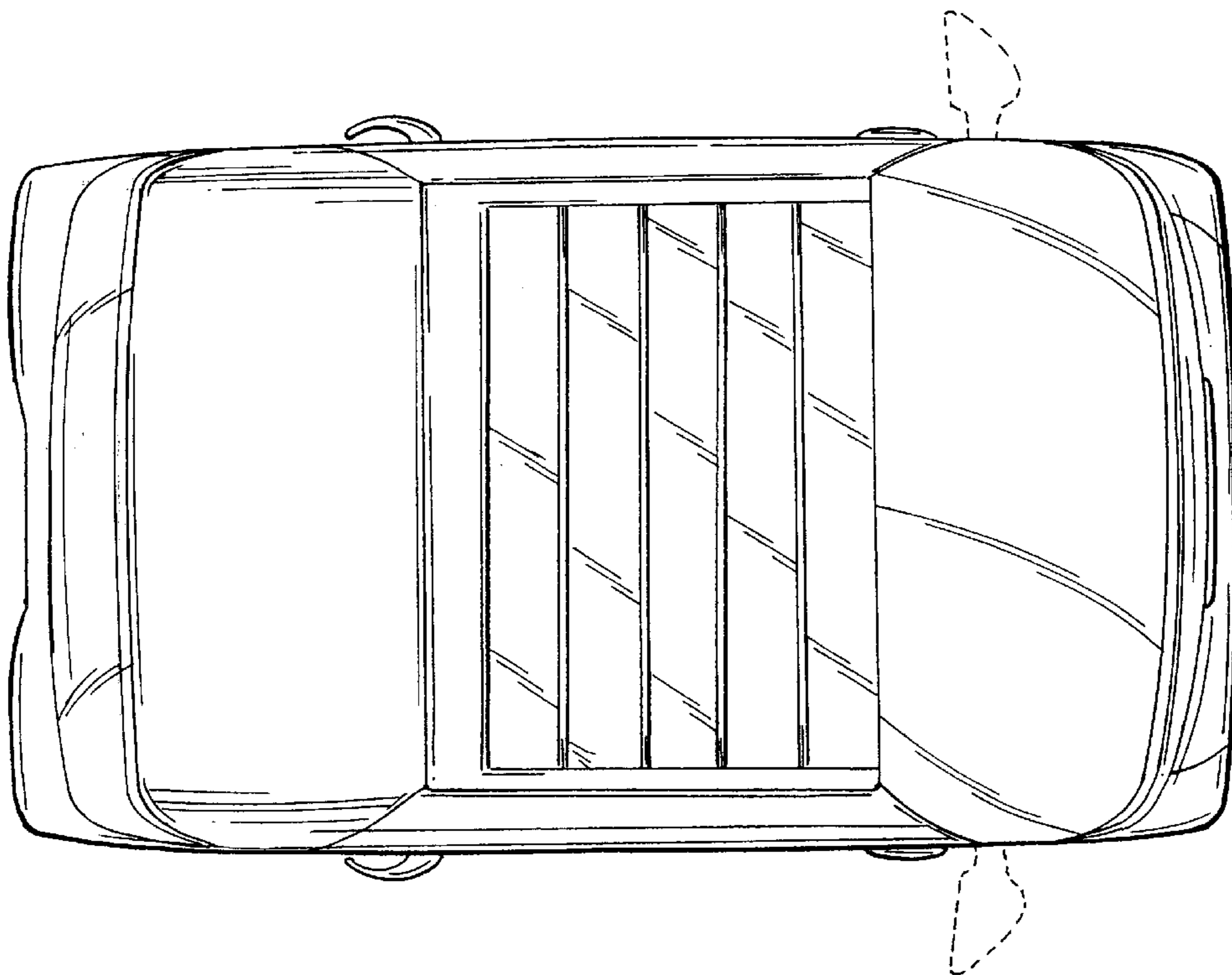


FIG. 6

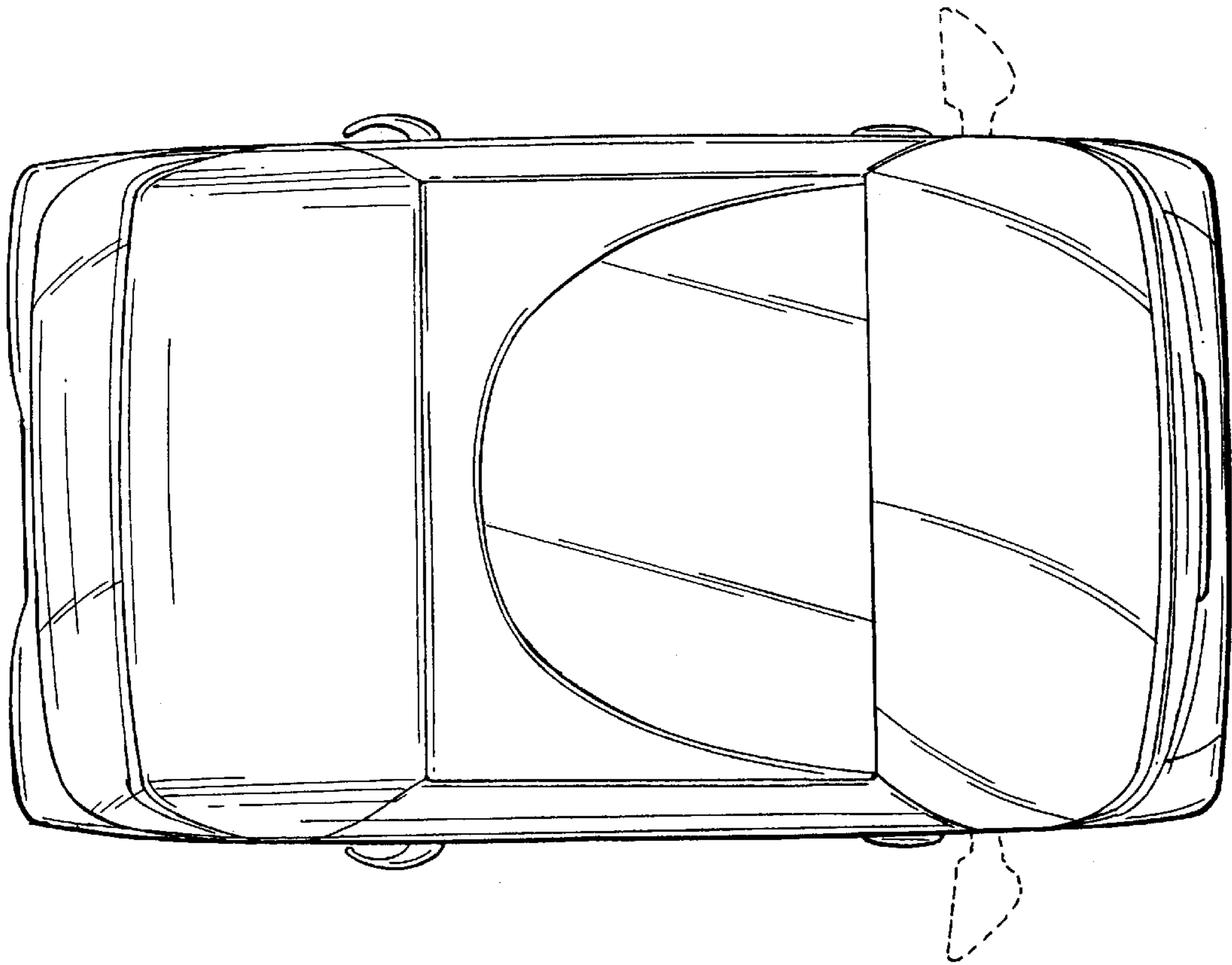


FIG. 7