



US00D459762S

(12) **United States Design Patent**
Chen

(10) **Patent No.:** **US D459,762 S**

(45) **Date of Patent:** **** Jul. 2, 2002**

(54) **SCOOTER FRAME**

(75) **Inventor:** **Ting-Hsing Chen, Tainan Hsien (TW)**

(73) **Assignee:** **Far Great Plastics Industrial Co., Ltd., Tainan Hsien (TW)**

(**) **Term:** **14 Years**

(21) **Appl. No.:** **29/137,902**

(22) **Filed:** **Mar. 2, 2001**

(51) **LOC (7) Cl.** **21-01**

(52) **U.S. Cl.** **D21/423**

(58) **Field of Search** D21/419, 421,
D21/423, 424, 435, 533, 760, 765, 771;
D12/107, 110-112, 115, 117; 280/761,
87.01, 87.041, 87.042, 87.05, 278, 287;
180/180, 181, 216, 219

(56) **References Cited**

U.S. PATENT DOCUMENTS

4,761,014 A * 8/1988 Huang 280/87.041
4,799,702 A * 1/1989 Wang 280/87.041

D300,756 S * 4/1989 Cummings D21/423
D312,485 S * 11/1990 Turner D21/423
D392,001 S * 3/1998 Chen D12/117
D420,942 S * 2/2000 Chen D12/111
D427,111 S * 6/2000 Chen D12/111

* cited by examiner

Primary Examiner—Raphael Barkai

(74) *Attorney, Agent, or Firm*—Rosenberg, Klein & Lee

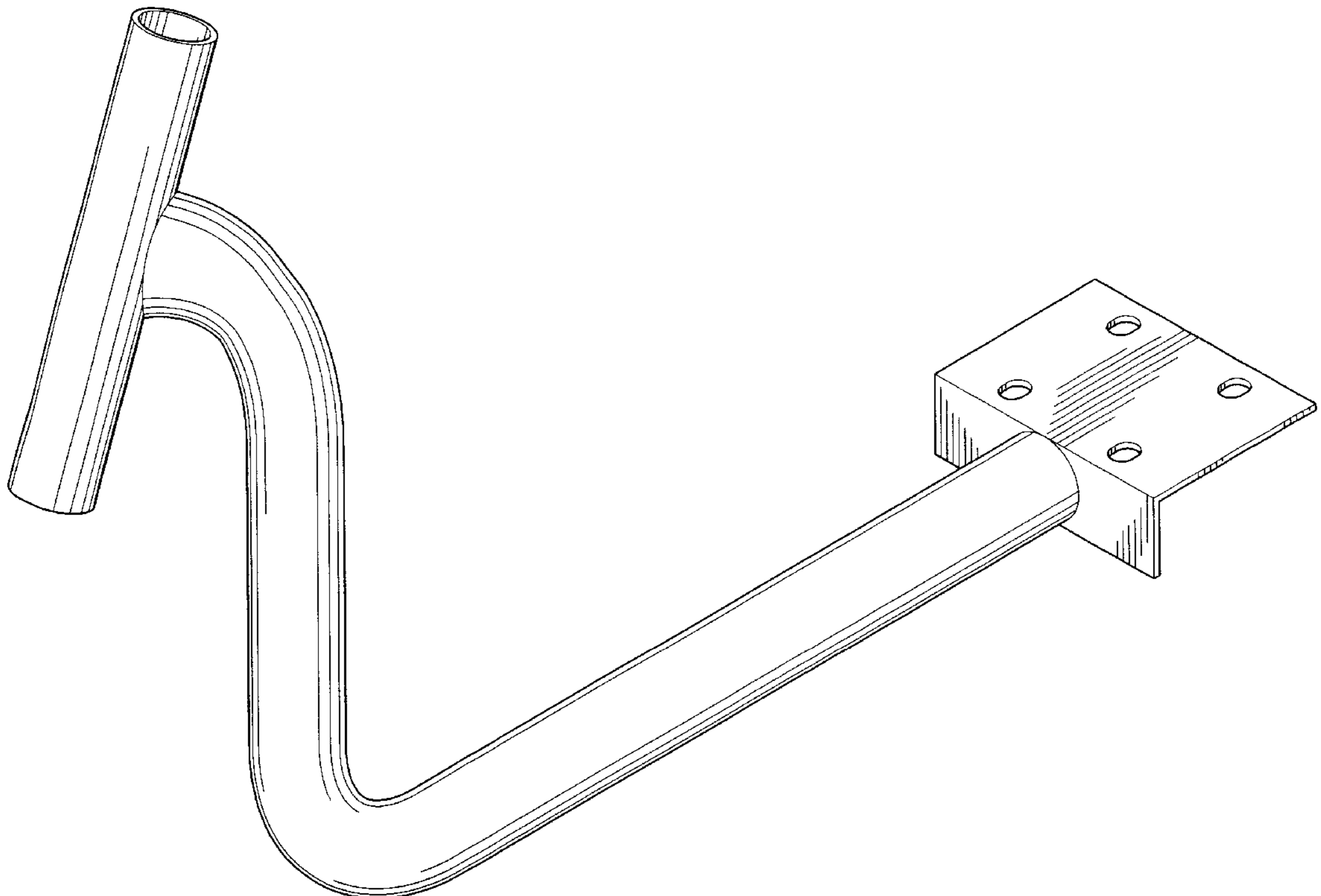
(57) **CLAIM**

The ornamental design for a scooter frame, as shown and described.

DESCRIPTION

FIG. 1 is a perspective view of a scooter frame showing my present design;
FIG. 2 is a front view thereof;
FIG. 3 is a rear view thereof;
FIG. 4 is a left view thereof;
FIG. 5 is a right view thereof;
FIG. 6 is a top plan view thereof; and,
FIG. 7 is a bottom plan view.

1 Claim, 5 Drawing Sheets



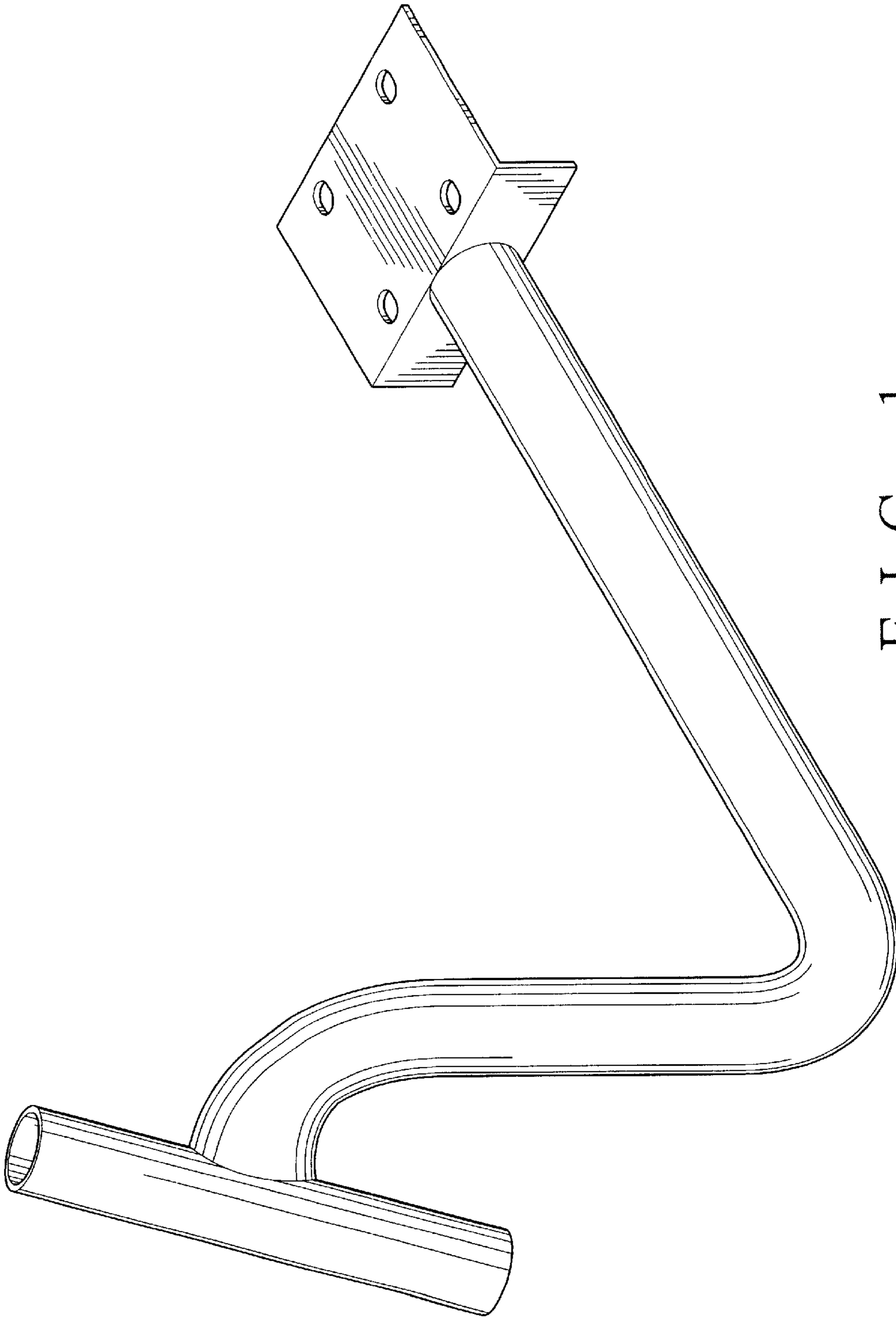


FIG. 1

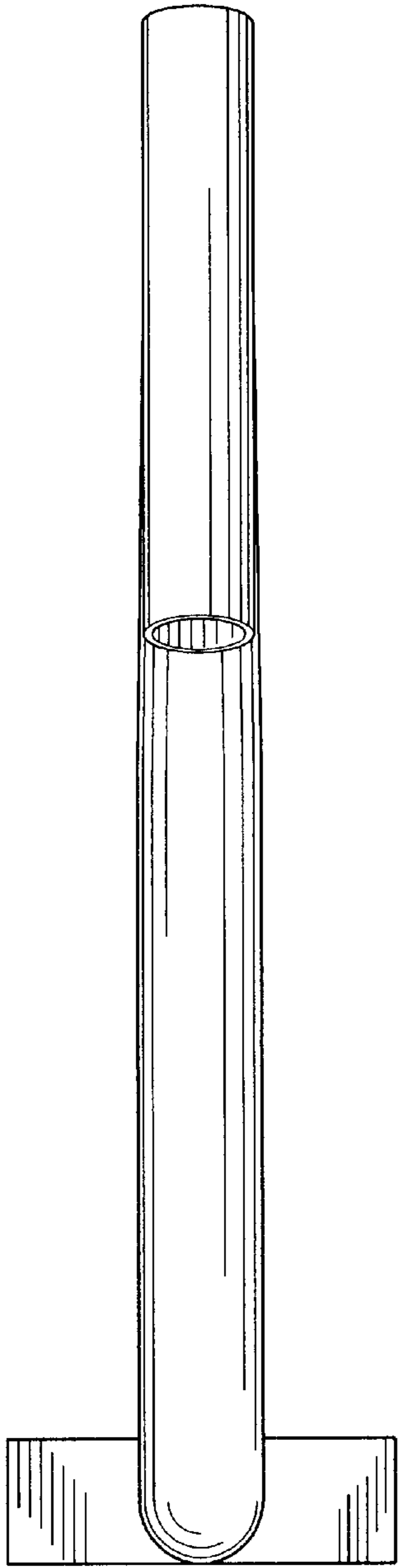


FIG. 2

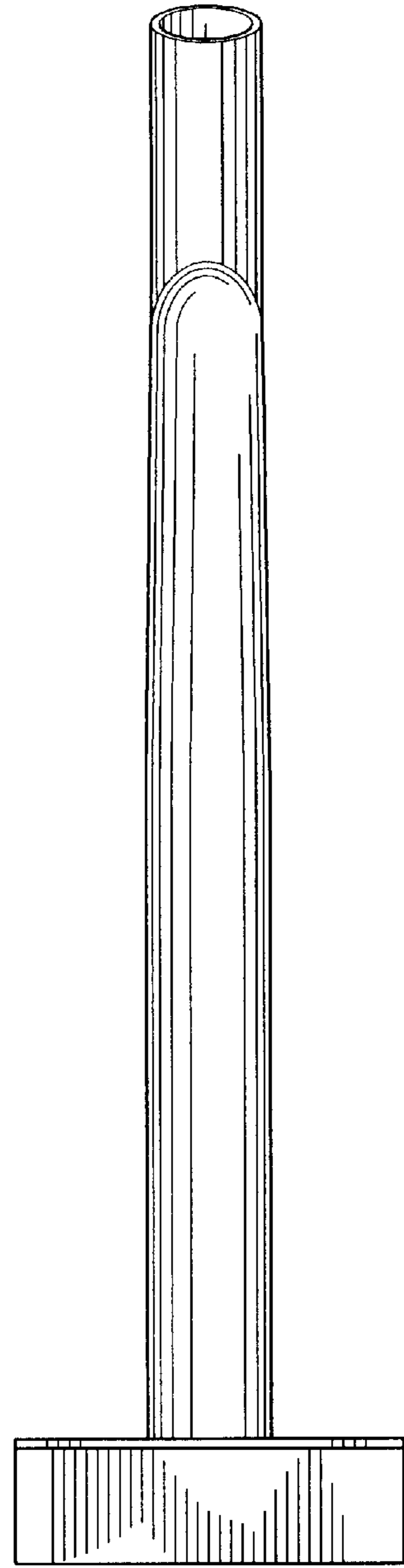


FIG. 3

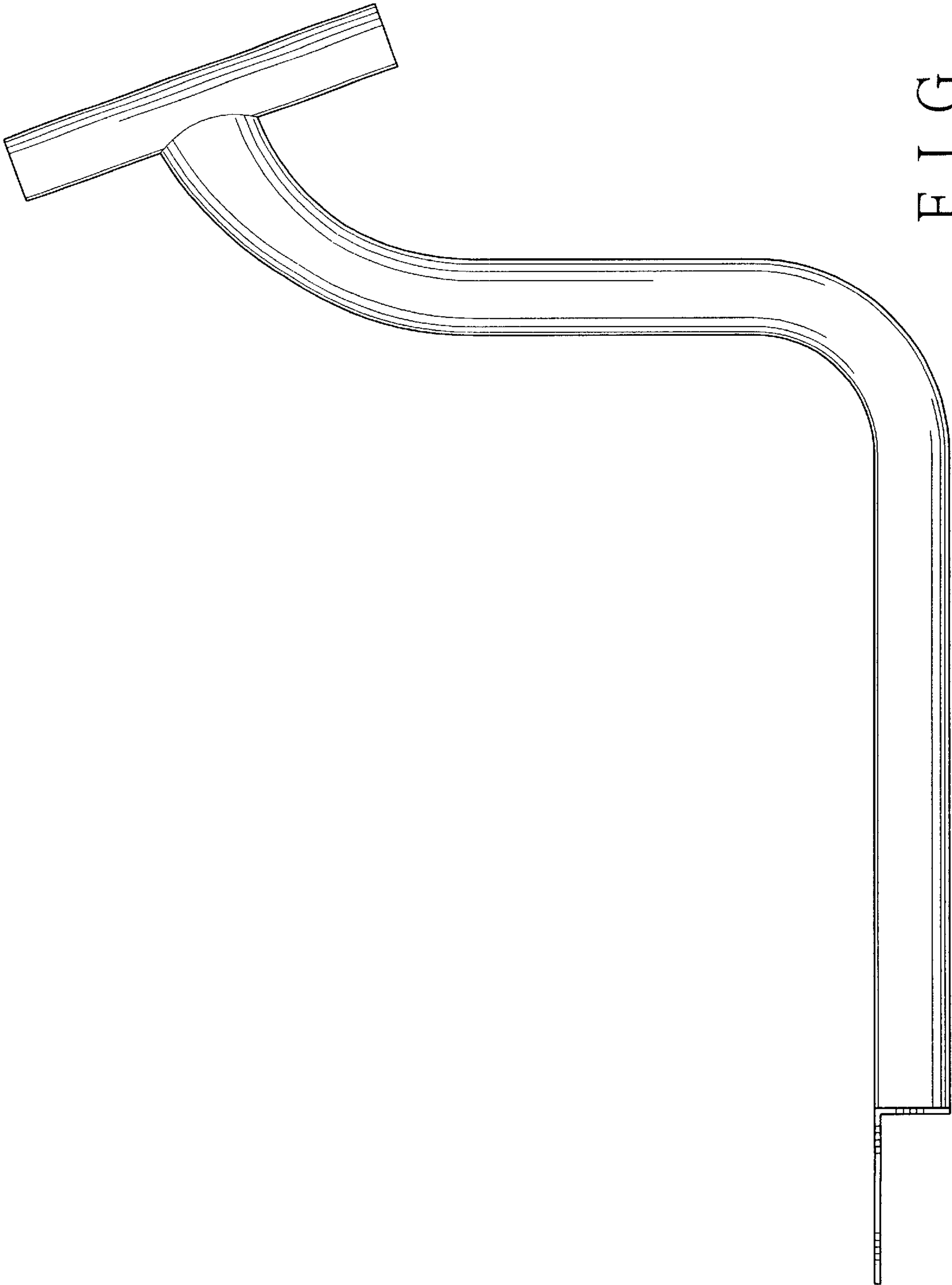


FIG. 4

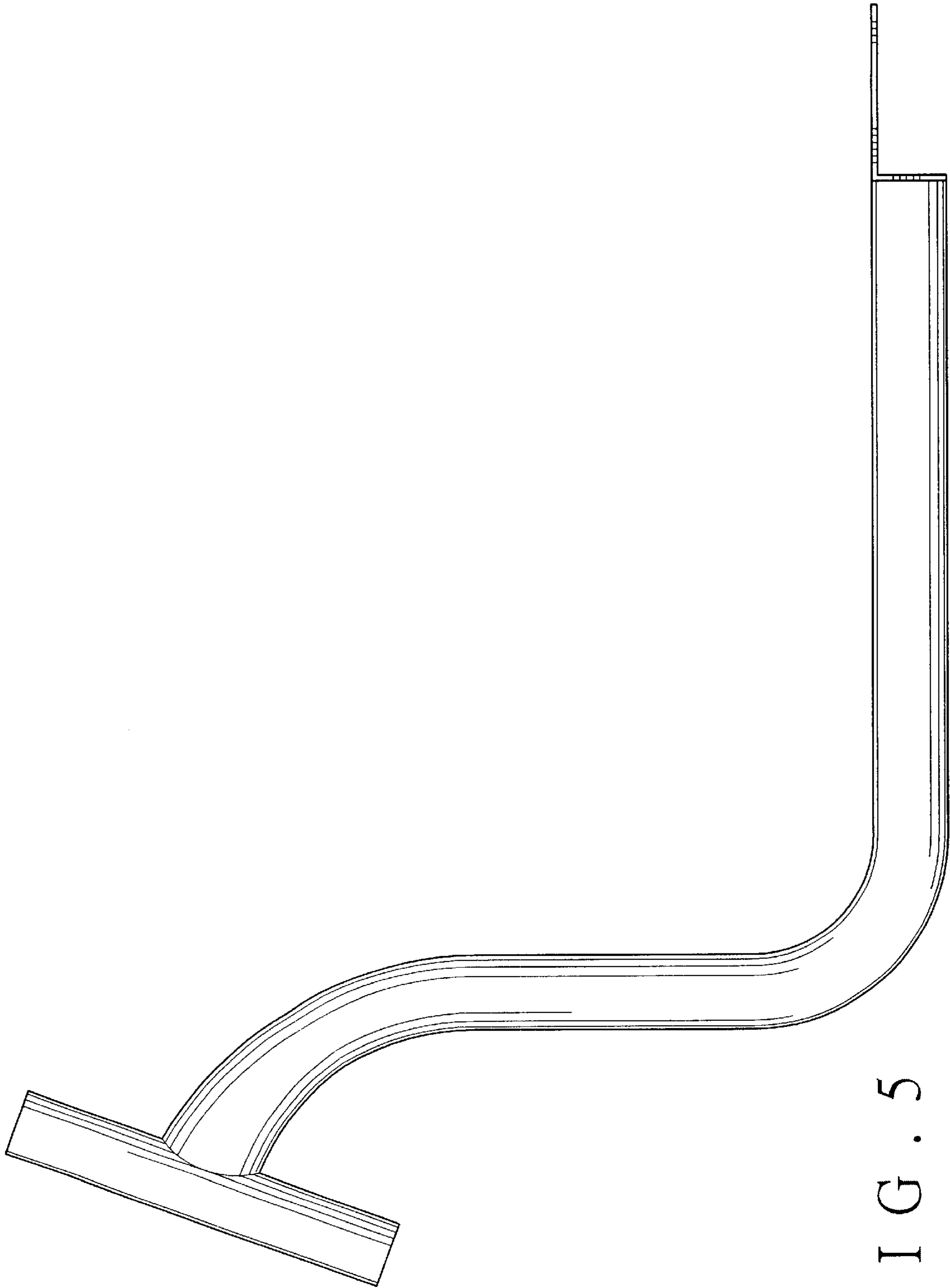


FIG. 5

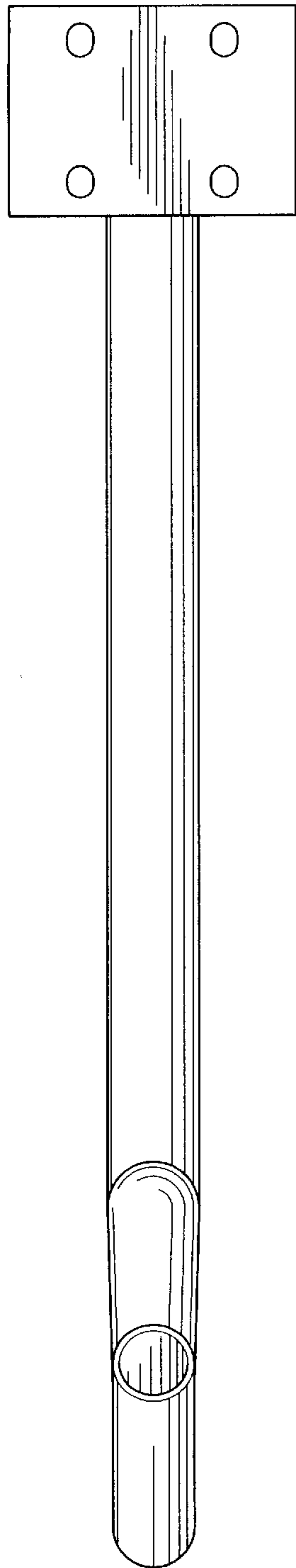


FIG. 6

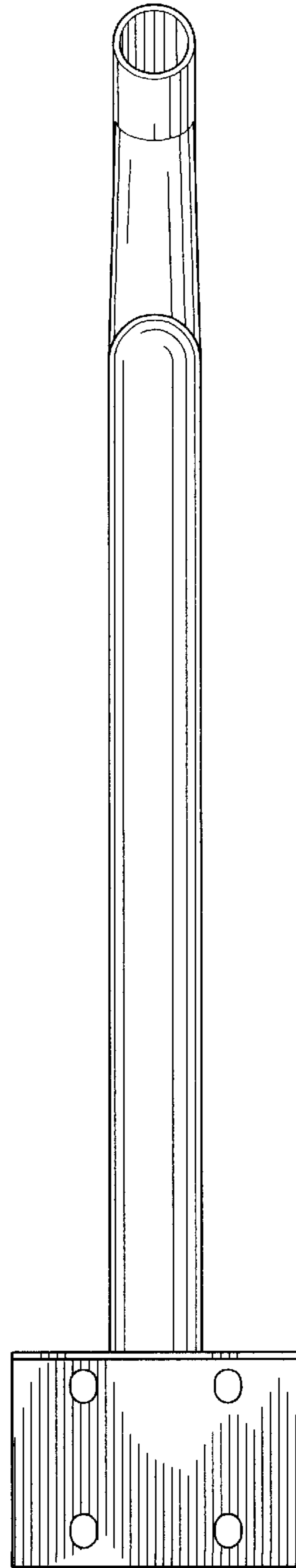


FIG. 7