



US00D459758S

(12) **United States Design Patent**  
**Foster**

(10) **Patent No.:** **US D459,758 S**

(45) **Date of Patent:** **\*\* Jul. 2, 2002**

(54) **PAPER CLIP HOLDER**

(75) Inventor: **Norman Foster**, London (GB)

(73) Assignee: **Helit Innovative Buroprodukte GmbH**, Kierspe (DE)

(\*\*) Term: **14 Years**

(21) Appl. No.: **29/117,694**

(22) Filed: **Jan. 28, 2000**

(30) **Foreign Application Priority Data**

Jul. 31, 1999 (DE) ..... 499 07 112

(51) **LOC (7) Cl.** ..... **19-02**

(52) **U.S. Cl.** ..... **D19/75**

(58) **Field of Search** ..... D3/304, 319; D6/466, D6/469, 472, 510, 512; D19/65, 75, 77, 81, 83, 95, 99, 100; 190/110; 206/214; 217/3 BC, 3 R, 36, 52; 229/120.22, 122.23, 122.24, 122.27, 201

(56) **References Cited**

**U.S. PATENT DOCUMENTS**

467,858 A \* 1/1892 Dumas ..... 217/3 BC  
1,007,670 A \* 11/1911 Brodhead ..... D19/75

2,316,384 A \* 4/1943 Abramson ..... 229/122.23  
D184,013 S \* 12/1958 Jarvi ..... D19/83  
3,519,160 A \* 7/1970 Lorenz, Jr. et al. .... 217/3 BC  
4,275,828 A \* 6/1981 De Franco ..... 229/122.23  
D273,018 S \* 3/1984 Barbieri et al. .... D19/75  
D303,551 S \* 9/1989 Szablak et al. .... D19/75

\* cited by examiner

*Primary Examiner*—Doris V. Coles

*Assistant Examiner*—Elizabeth A. Albert

(74) *Attorney, Agent, or Firm*—Herbert Dubno

(57) **CLAIM**

The ornamental design for a paper clip holder, as shown and described.

**DESCRIPTION**

FIG. 1 is a top front right-side perspective view of a paper clip holder showing my new design;  
FIG. 2 is a top plan view thereof;  
FIG. 3 is a bottom plan view thereof;  
FIG. 4 is a right-side elevational view thereof, the left-side elevational view being identical thereto; and,  
FIG. 5 is a front view thereof, the rear view being identical thereto.

**1 Claim, 2 Drawing Sheets**

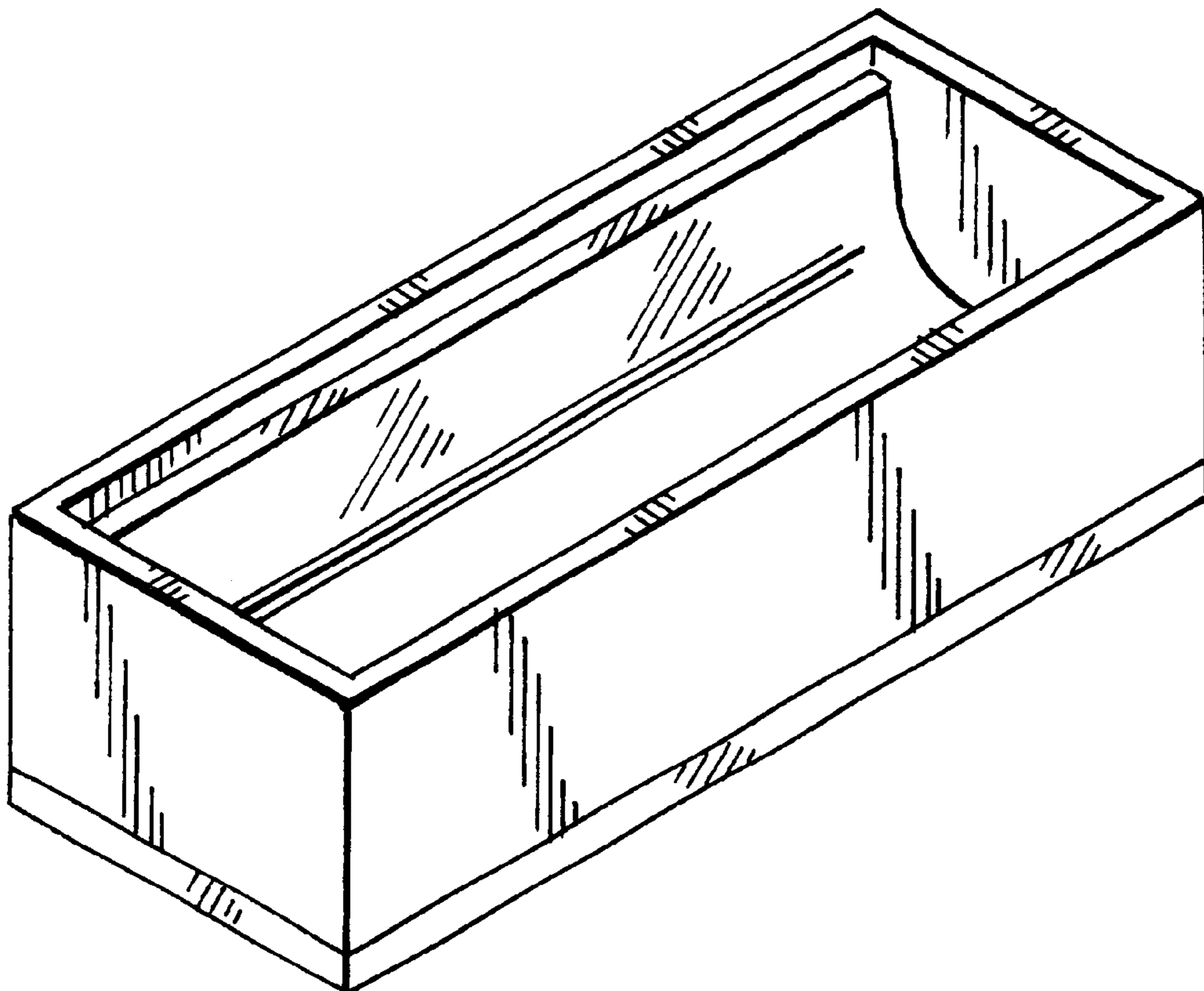


FIG. 1

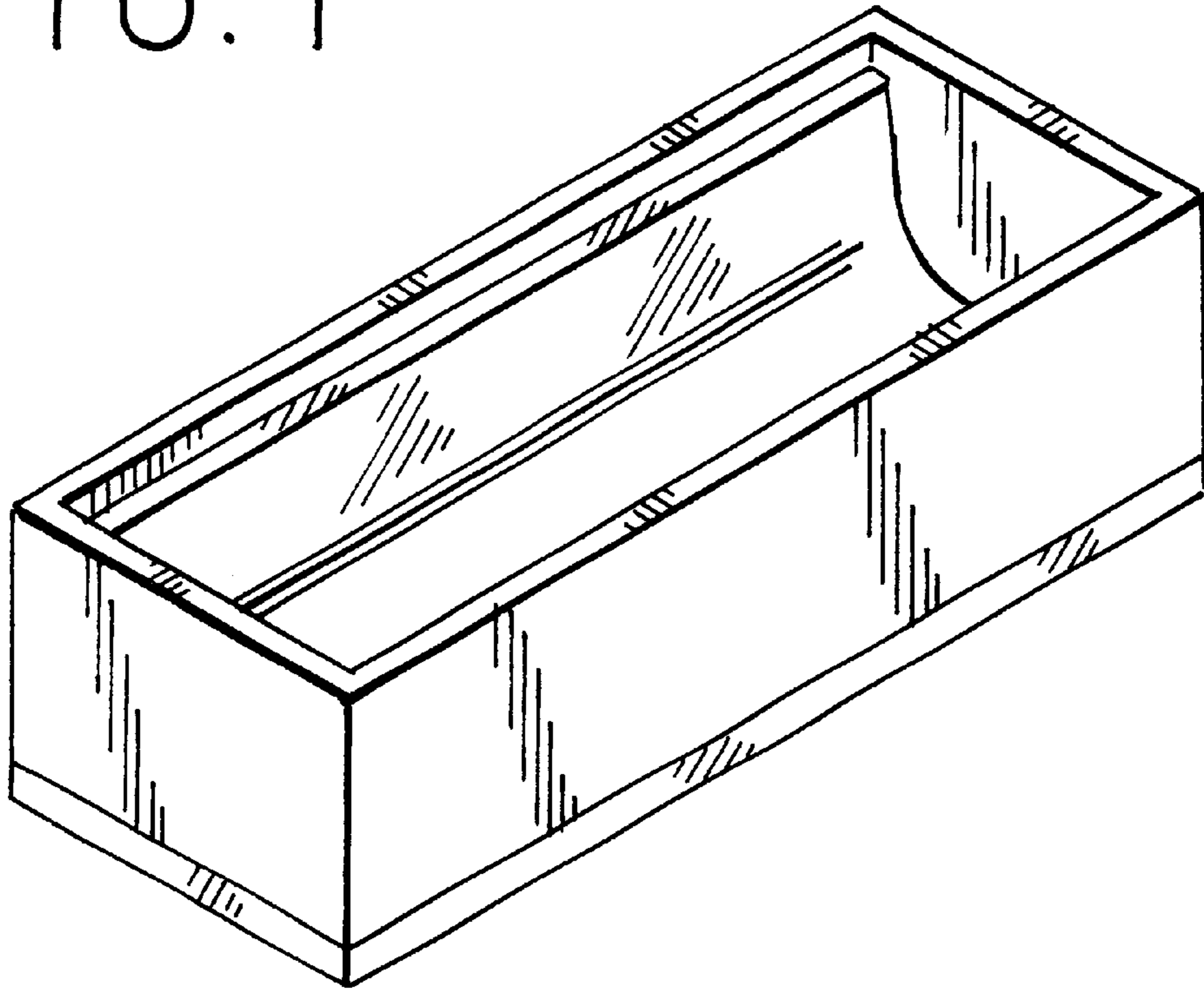


FIG. 2

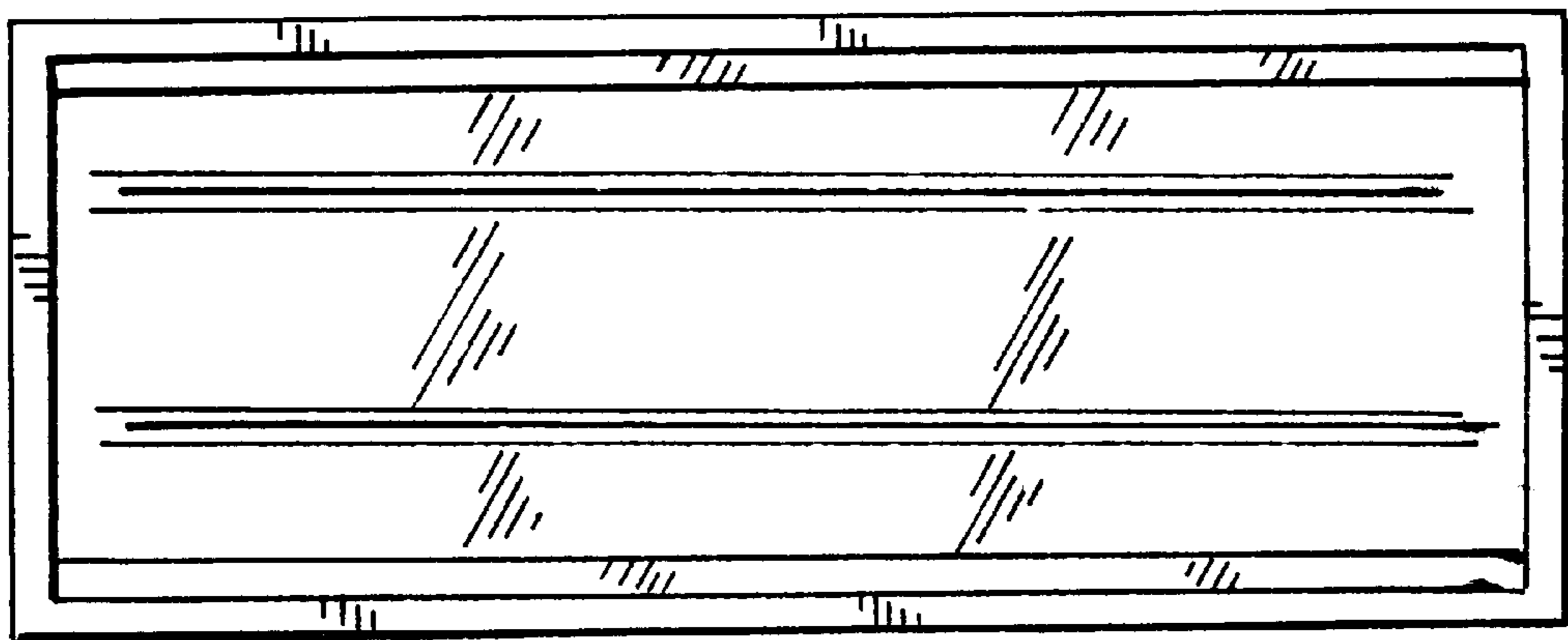


FIG. 3

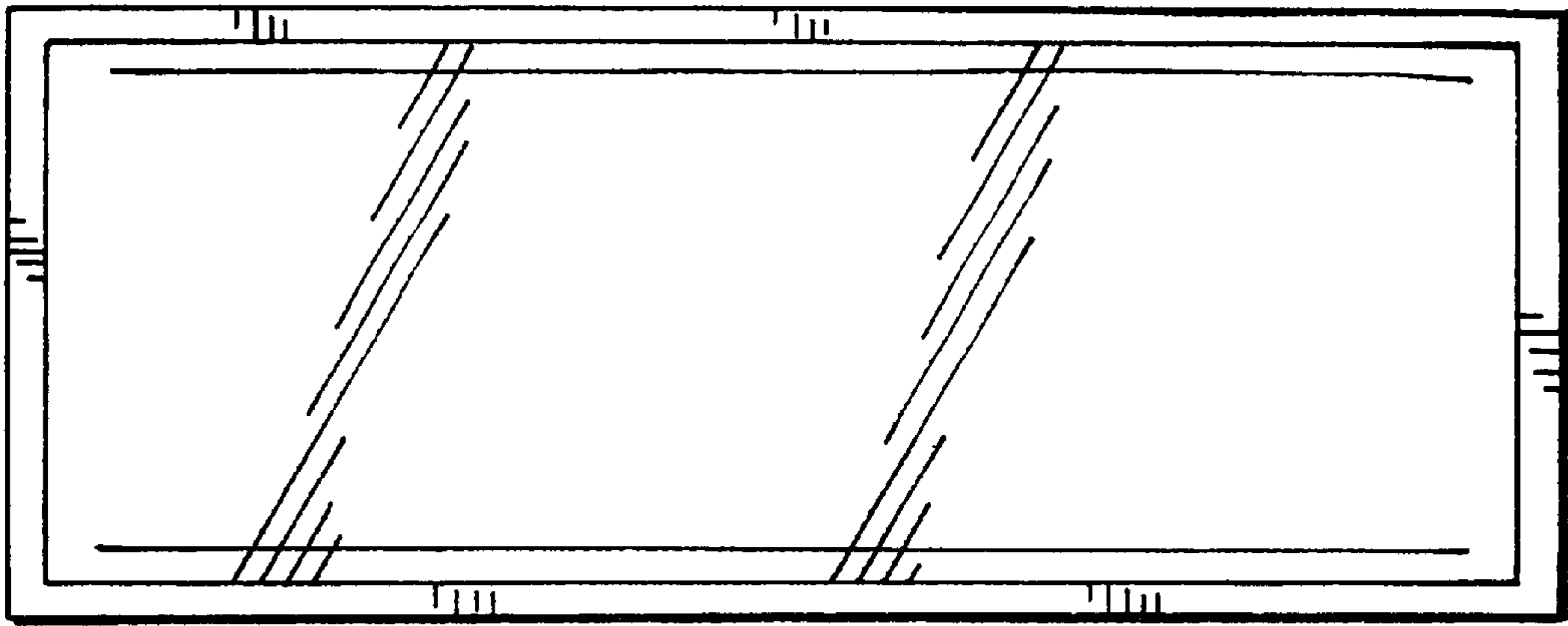


FIG. 4

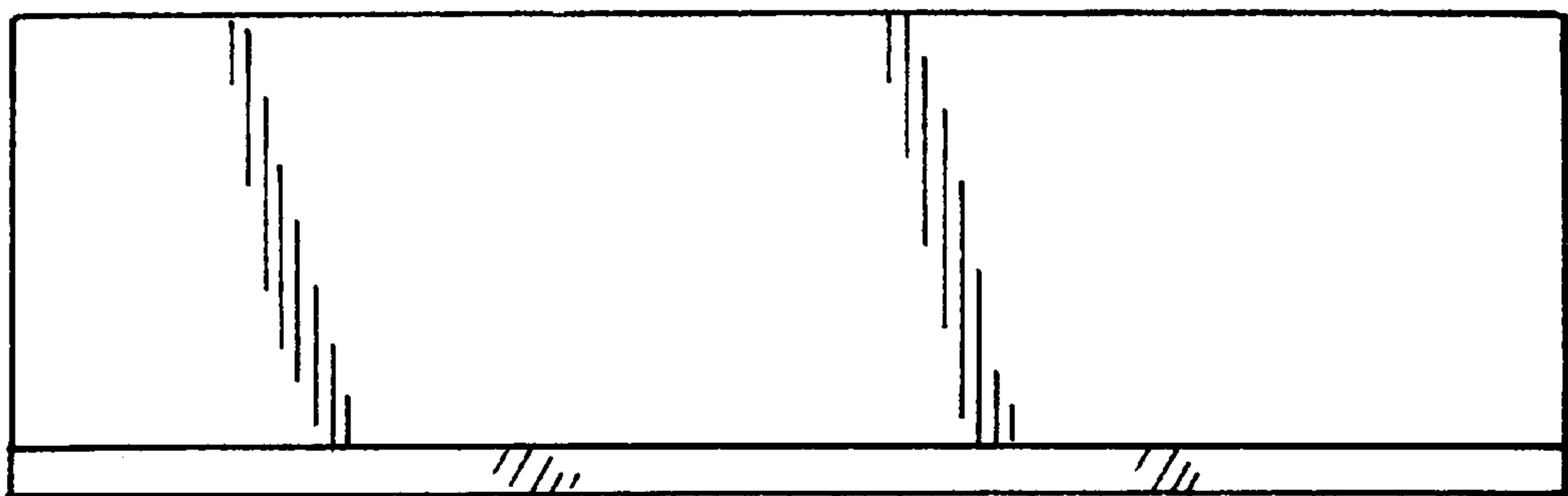


FIG. 5

