



US00D459751S

(12) **United States Design Patent**  
**Hsiao**

(10) **Patent No.:** **US D459,751 S**

(45) **Date of Patent:** **\*\* Jul. 2, 2002**

(54) **COMBINATION LAMINATOR/GLUE BINDER**

(75) **Inventor:** **Chin-Tsung Hsiao, Taipei Hsien (TW)**

(73) **Assignee:** **Tex Year Industries, Inc., Taipei Hsien (TW)**

(\*\*) **Term:** **14 Years**

(21) **Appl. No.:** **29/144,882**

(22) **Filed:** **Jul. 13, 2001**

(51) **LOC (7) Cl.** ..... **18-04**

(52) **U.S. Cl.** ..... **D18/34; D15/146**

(58) **Field of Search** ..... **D19/65, 72; D18/34, D18/99; D15/146, 145; 412/9, 6, 8, 33, 37, 900, 36, 902; 281/21.1; 156/536, 555, 908, 477.1, 578, 479, 483, 484**

(56) **References Cited**

**U.S. PATENT DOCUMENTS**

D196,938 S	*	11/1963	Wicks	.....	D15/146
3,518,143 A	*	6/1970	Führ	.....	412/6
3,956,057 A	*	5/1976	Jung	.....	156/578
4,818,168 A	*	4/1989	Battisti	.....	412/37
5,073,076 A	*	12/1991	Parkhill et al.	.....	412/33

D341,845 S	*	11/1993	Caruso et al.	.....	D15/146
D345,986 S	*	4/1994	Lim	.....	D15/146
D352,955 S	*	11/1994	Nordgren	.....	D18/34
D365,580 S	*	12/1995	Stiles et al.	.....	D19/72 X
D437,345 S	*	2/2001	Reuter	.....	D18/34
D441,776 S	*	5/2001	Cheng	.....	D15/146

\* cited by examiner

*Primary Examiner*—Martie K. Holtje

(74) *Attorney, Agent, or Firm*—Bacon & Thomas, PLLC

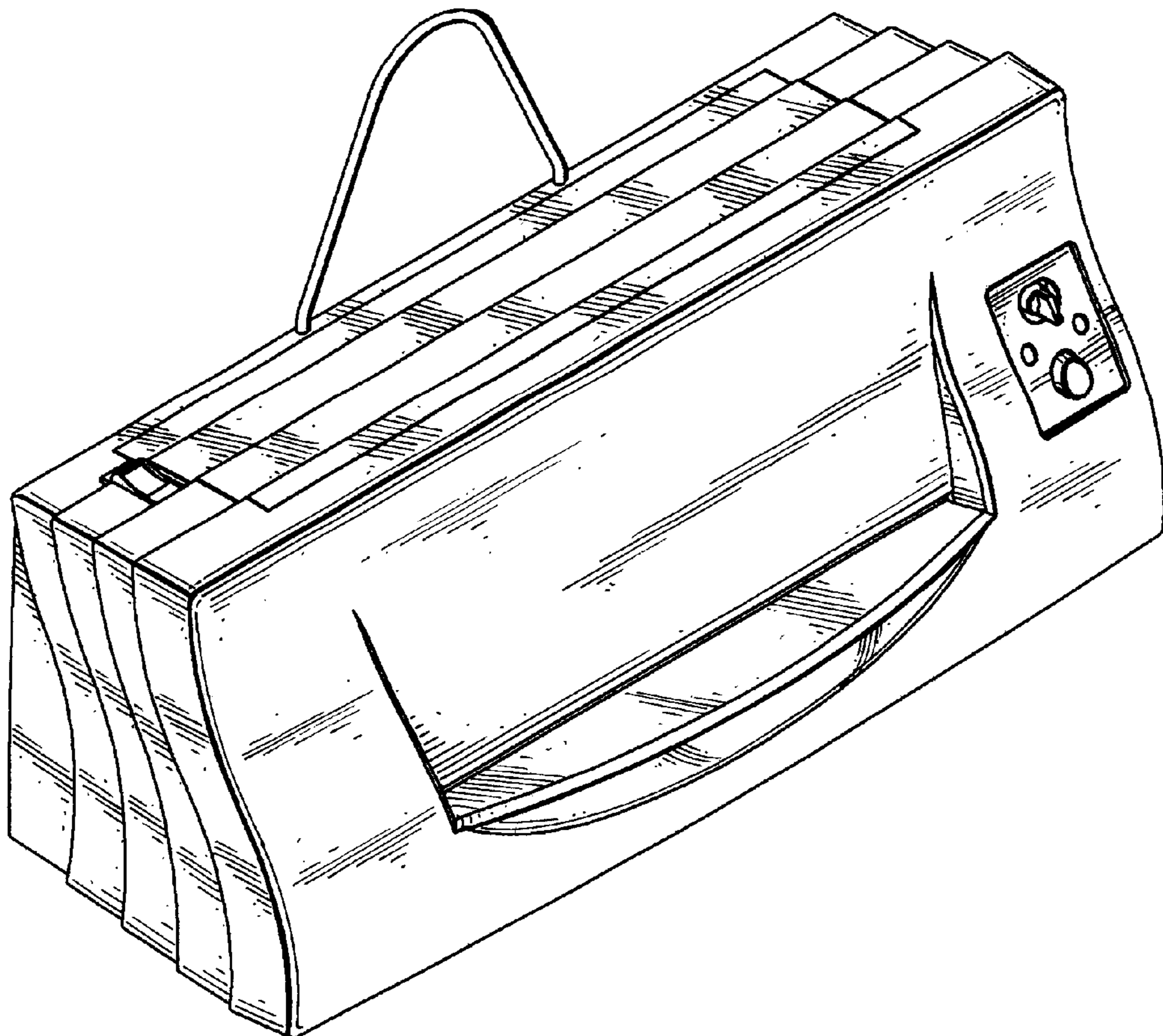
(57) **CLAIM**

The ornamental design for a combination laminator/glue binder, as shown.

**DESCRIPTION**

FIG. 1 is a perspective view of a combination laminator/glue binder showing my design;  
FIG. 2 is a front elevational view thereof;  
FIG. 3 is a rear elevational view thereof;  
FIG. 4 is a top plan view thereof;  
FIG. 5 is a bottom plan view thereof;  
FIG. 6 is a left side elevational view thereof; and,  
FIG. 7 is a right side elevational view thereof.

**1 Claim, 4 Drawing Sheets**



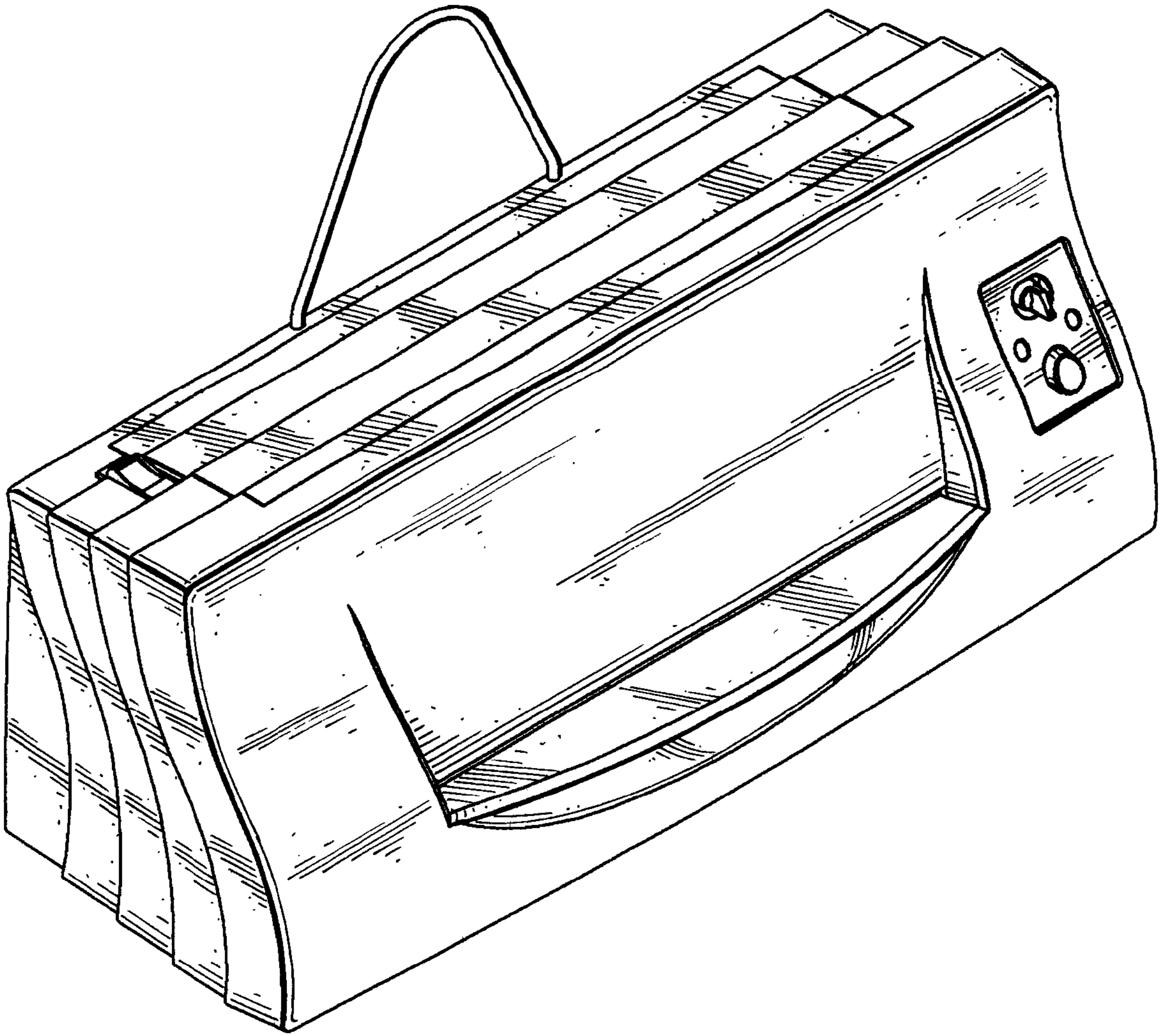


FIG. 1

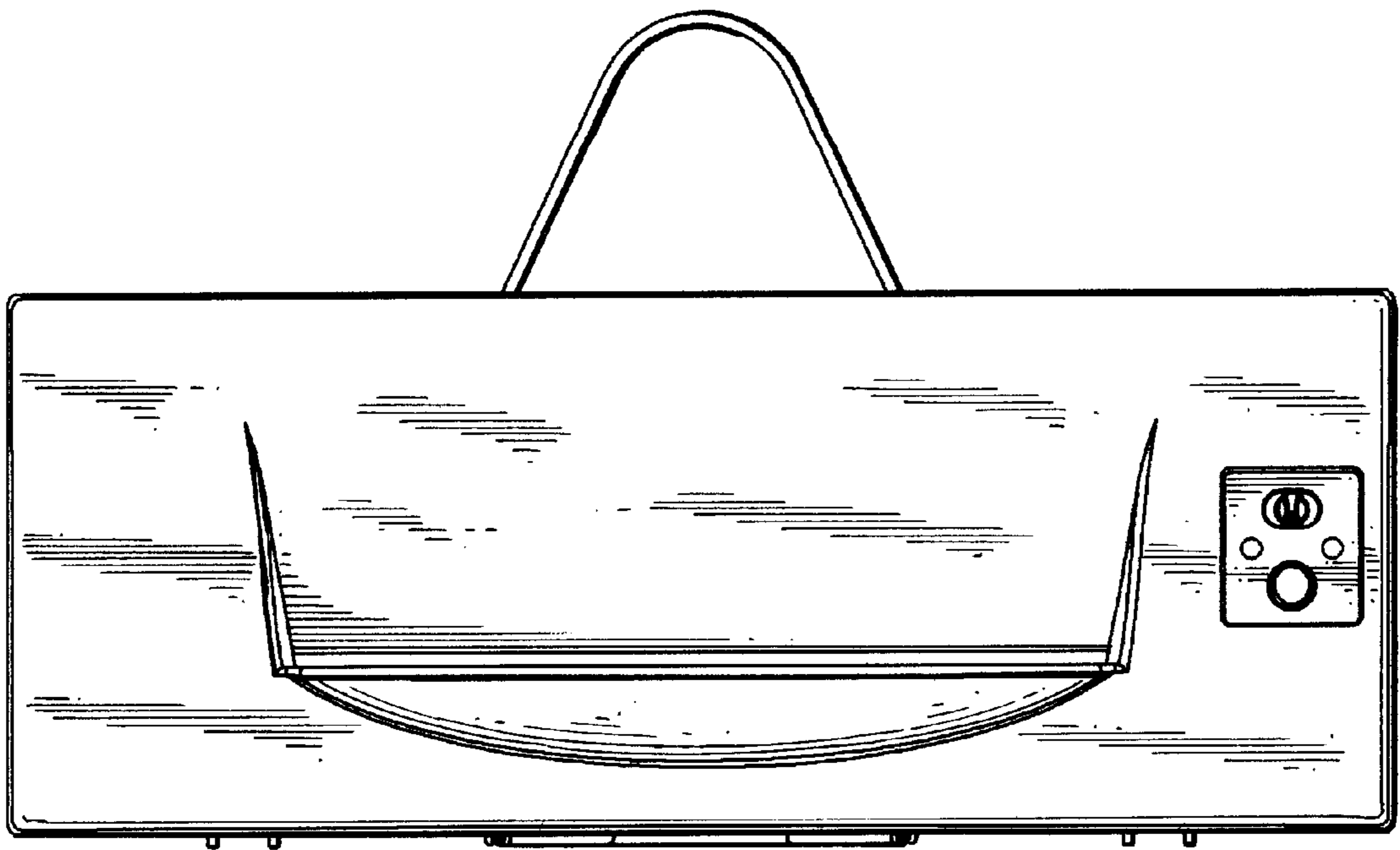


FIG. 2

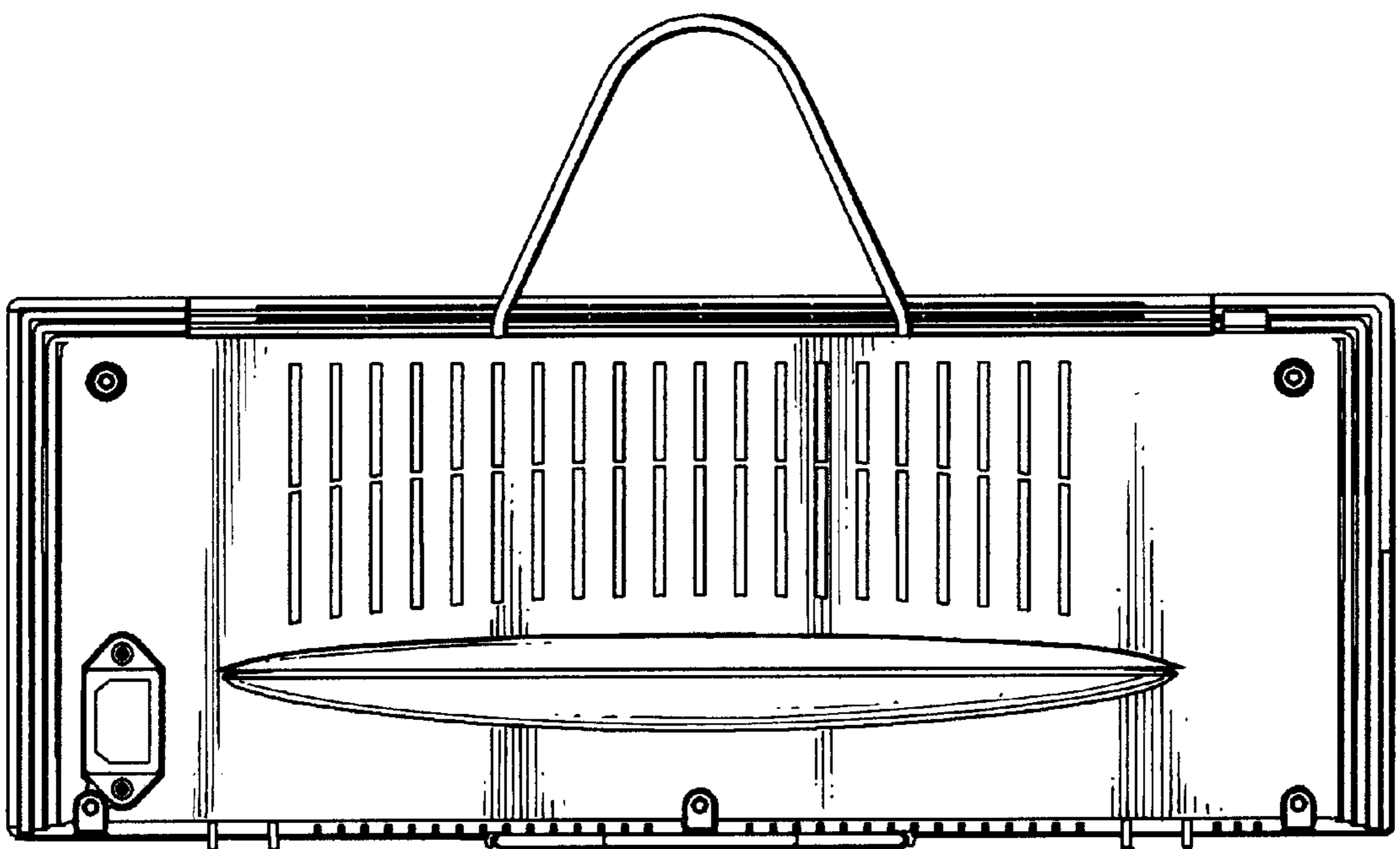


FIG. 3



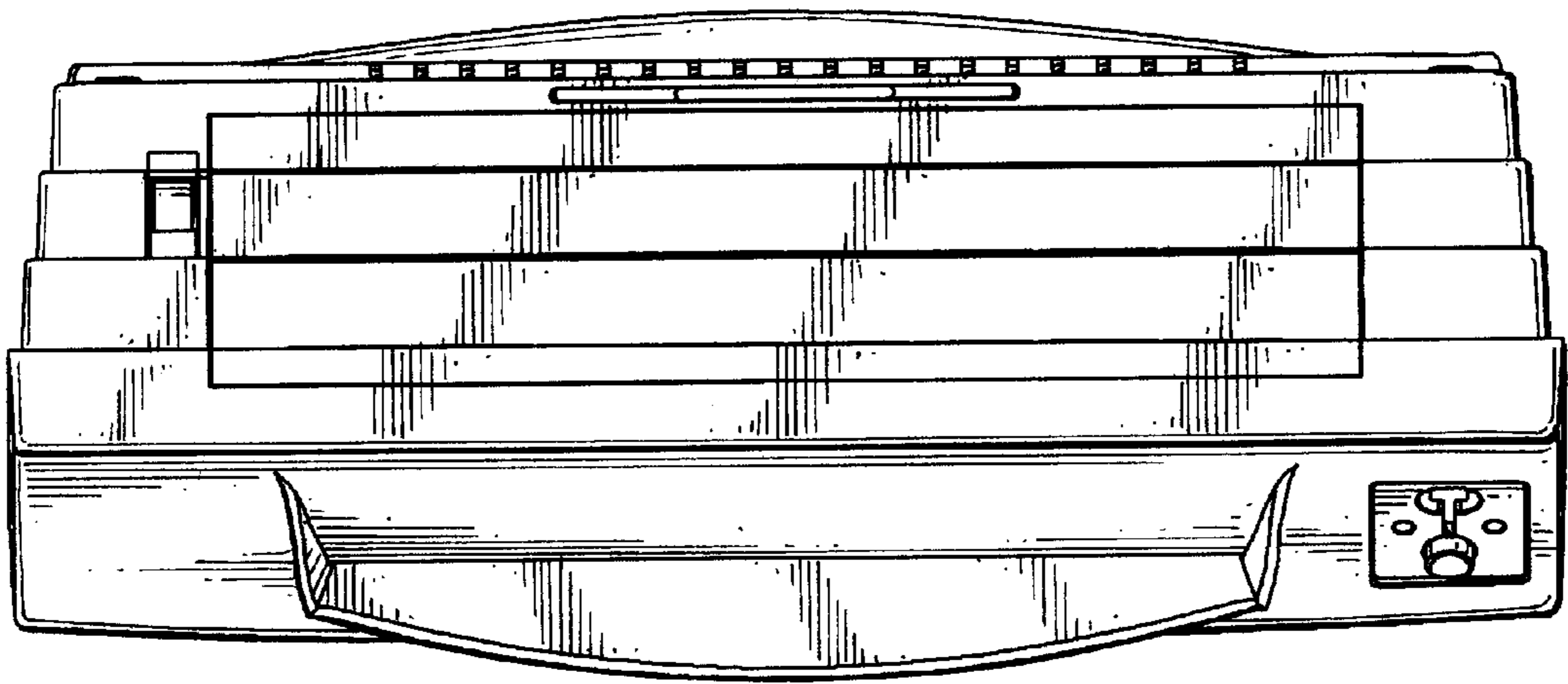


FIG. 4

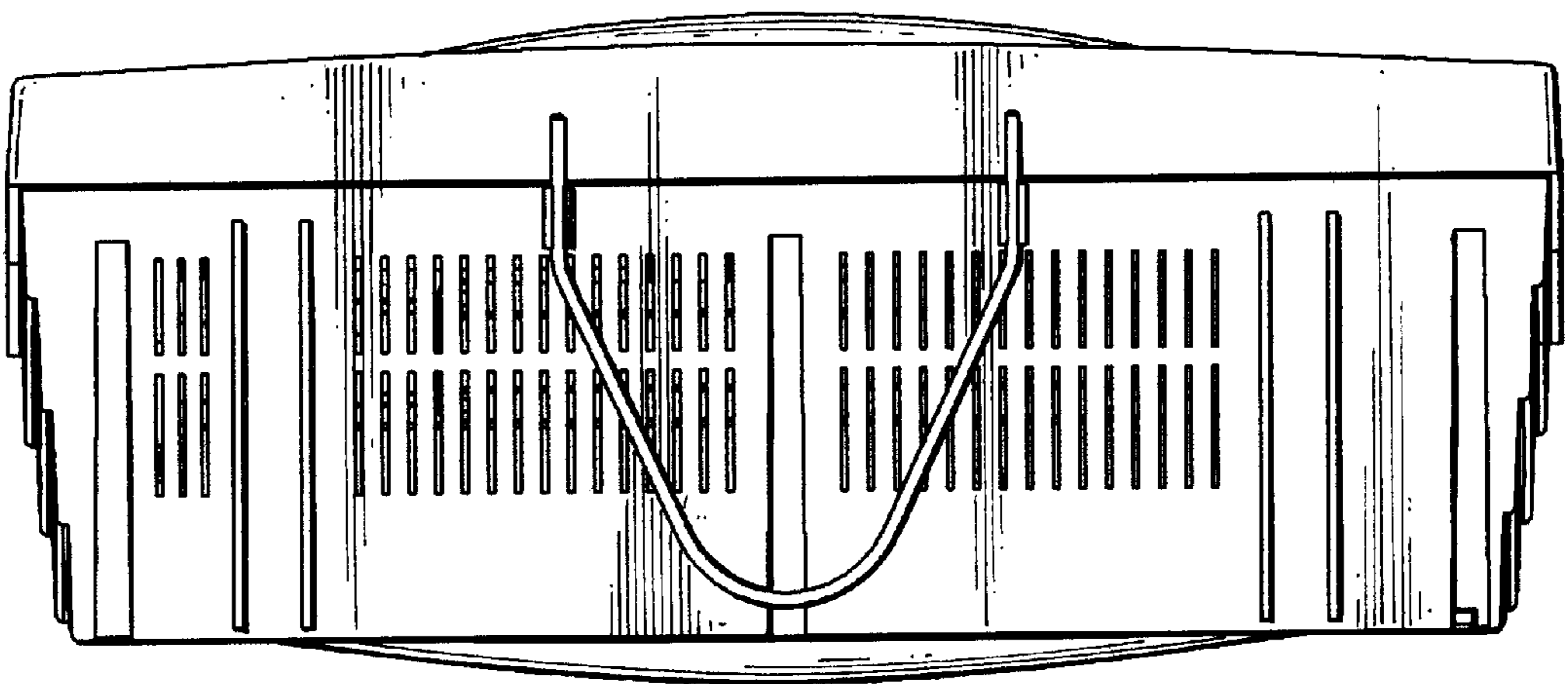


FIG. 5

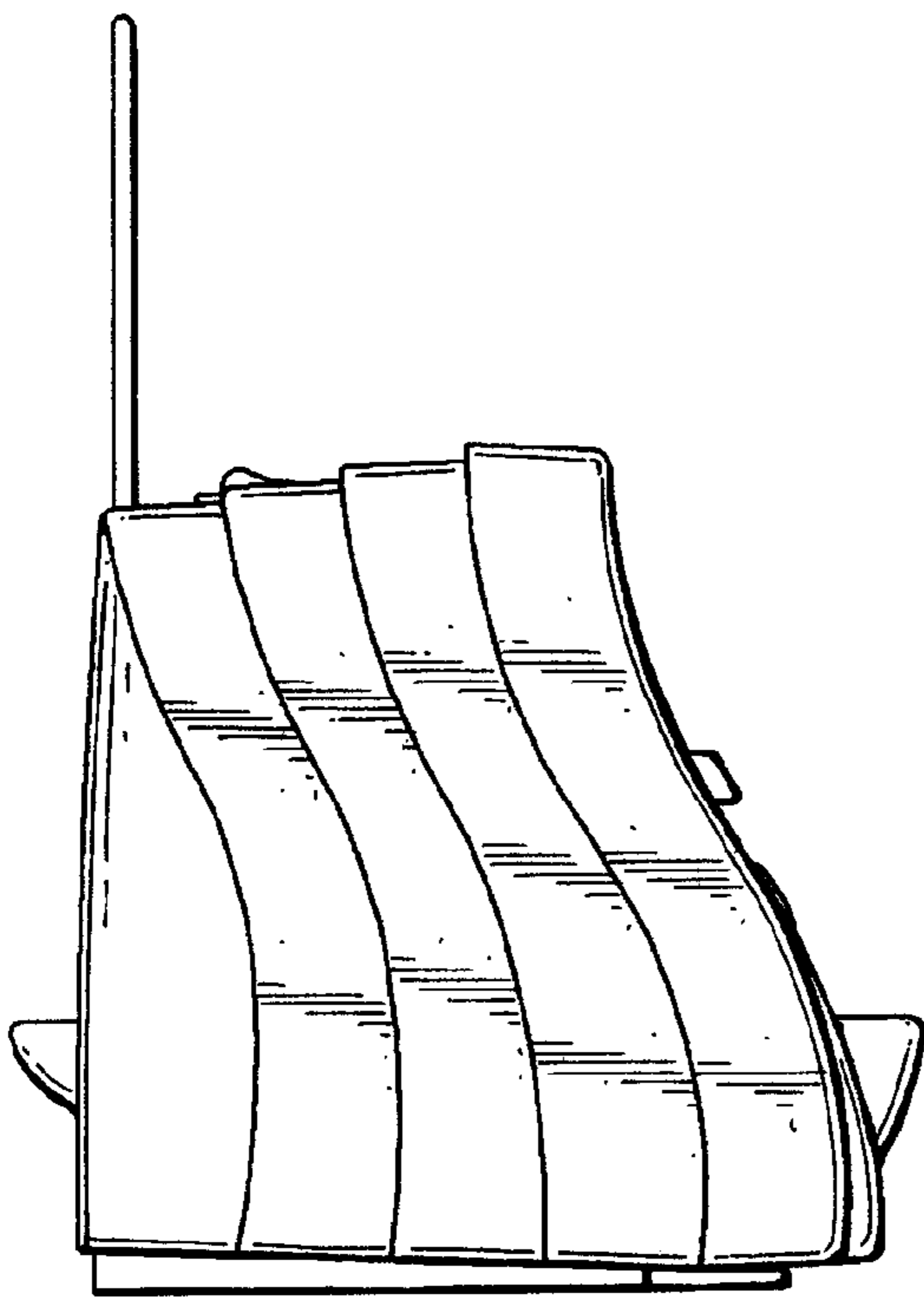


FIG. 6

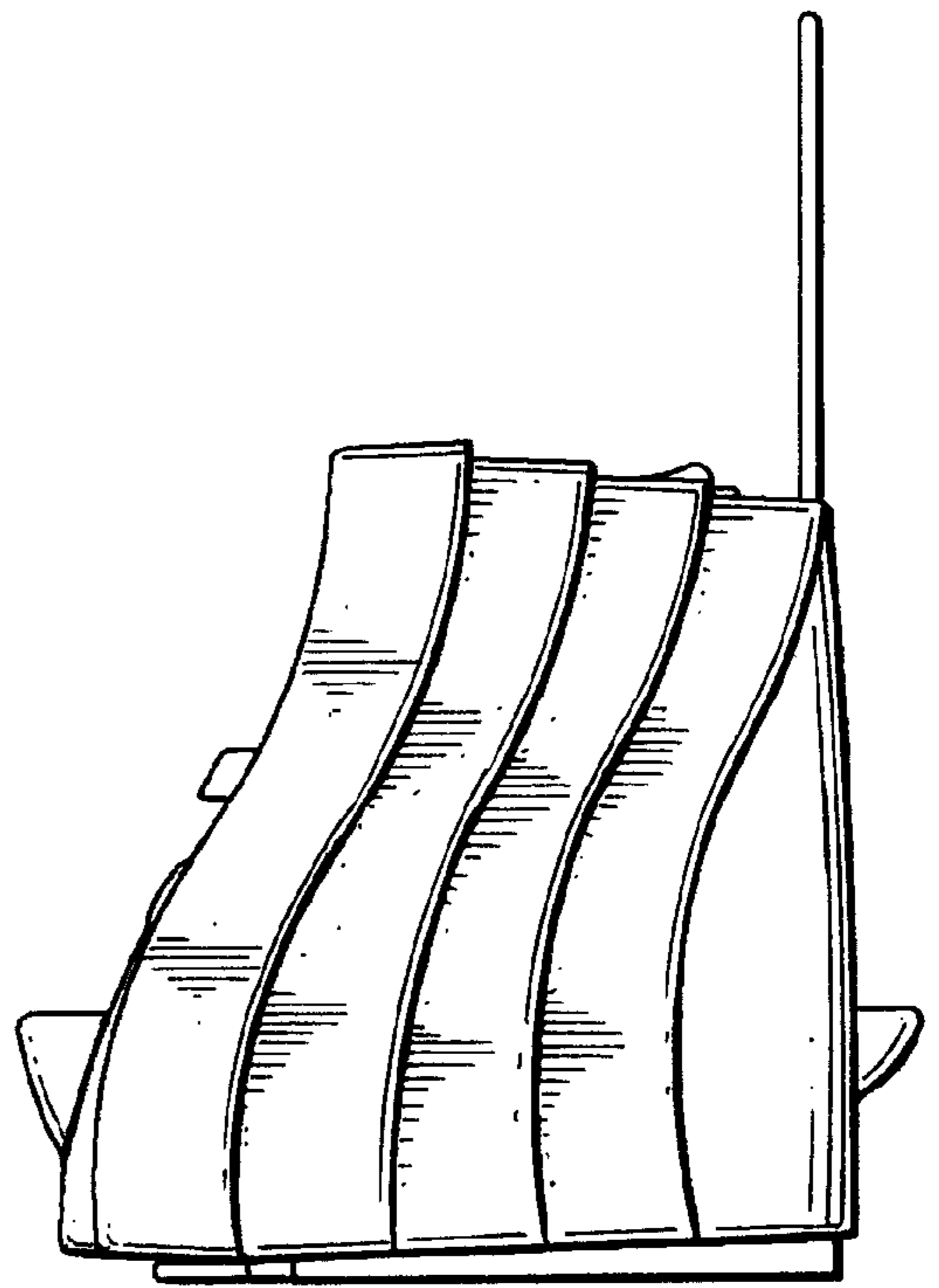


FIG. 7