



US00D459748S

(12) **United States Design Patent**
Marc et al.

(10) **Patent No.:** **US D459,748 S**

(45) **Date of Patent:** **** Jul. 2, 2002**

(54) **HINGE CONNECTOR FOR FRAMES FOR GLASSES**

D384,365 S * 9/1997 Keith D16/334

OTHER PUBLICATIONS

(76) Inventors: **Robert Marc**, 65 Central Park West, Apt. 4B, New York, NY (US) 10023;
Pierre Maiche, 31 Bis Rue Duplex, Nantes, 44100 (FR)

Optician, Ad Insert, Mar. 25, 1988.*

* cited by examiner

(**) Term: **14 Years**

Primary Examiner—Raphael Barkai

(74) *Attorney, Agent, or Firm*—Gottlieb, Rackman & Reisman, P.C.

(21) Appl. No.: **29/155,535**

(22) Filed: **Feb. 11, 2002**

(57) **CLAIM**

We claim the design for a hinge connector for frames for glasses, as shown and described.

Related U.S. Application Data

DESCRIPTION

(62) Division of application No. 29/128,187, filed on Aug. 18, 2000.

(51) **LOC (7) Cl.** **16-06**

(52) **U.S. Cl.** **D16/334**

(58) **Field of Search** D16/300, 334–336, D16/342; D8/323, 327, 329; 351/41, 44, 51, 52, 111, 113, 121, 141–153; 2/436, 448; 16/228, 389

FIG. 1 is a perspective view of the design with a portion shown in dotted line for environmental purpose only;

FIG. 2 is a front view thereof;

FIG. 3 is a left side view thereof;

FIG. 4 is a right side view thereof;

FIG. 5 is a top plan view thereof; the bottom plan view being a mirror image thereof; and,

FIG. 6 is a rear view thereof.

(56) **References Cited**

U.S. PATENT DOCUMENTS

5,473,395 A * 12/1995 Huang 351/113

1 Claim, 1 Drawing Sheet

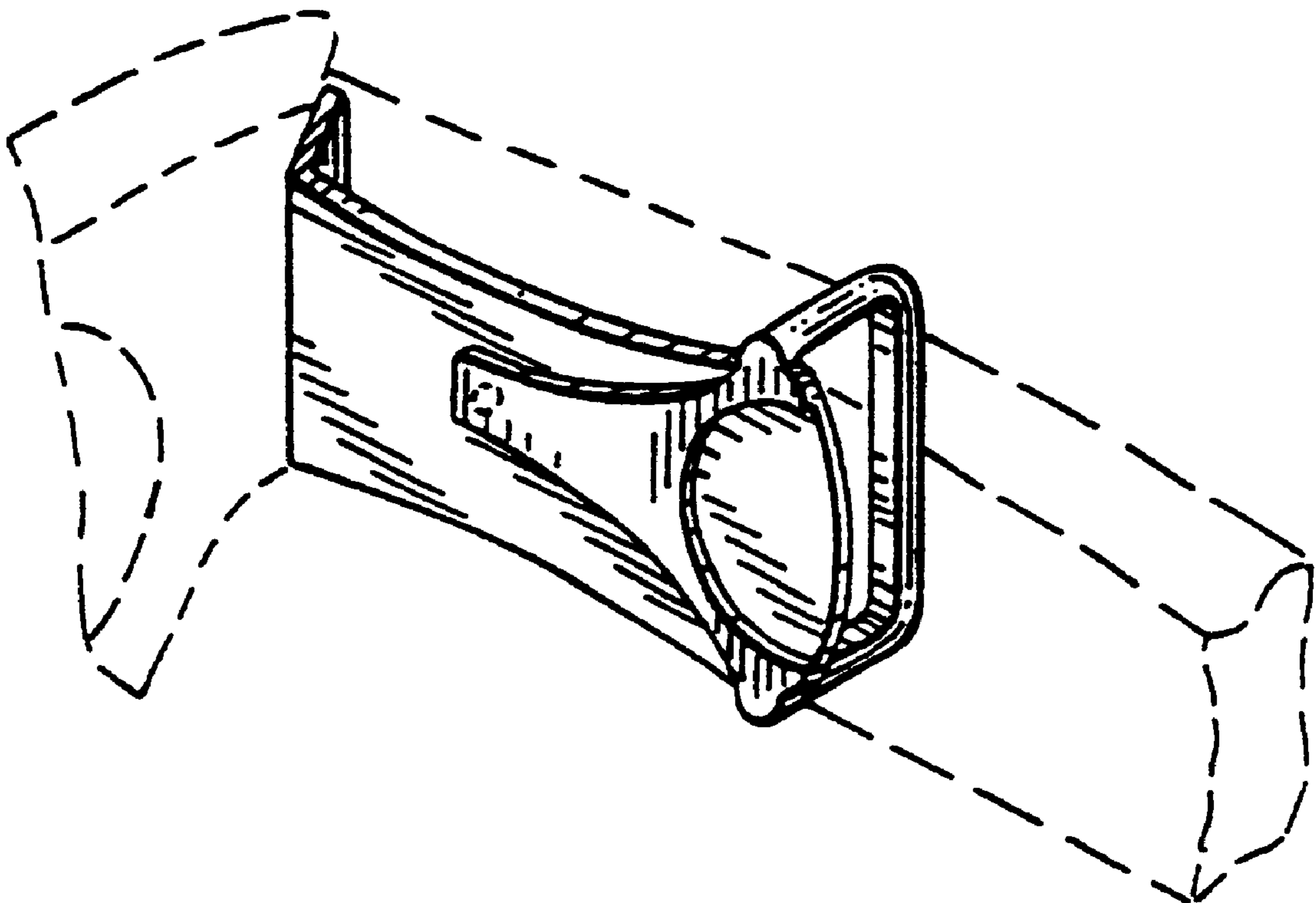


FIG. 1

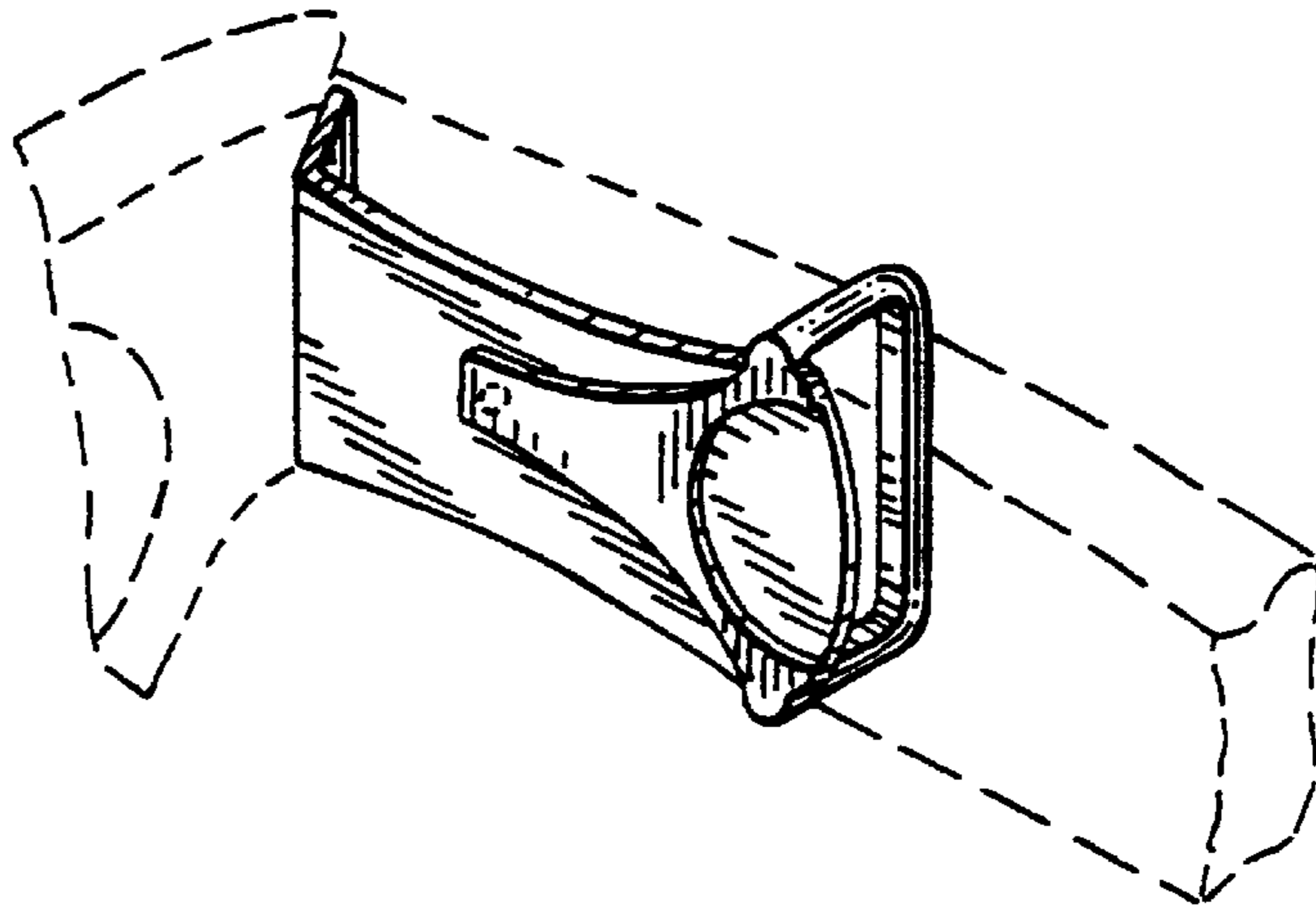


FIG. 3

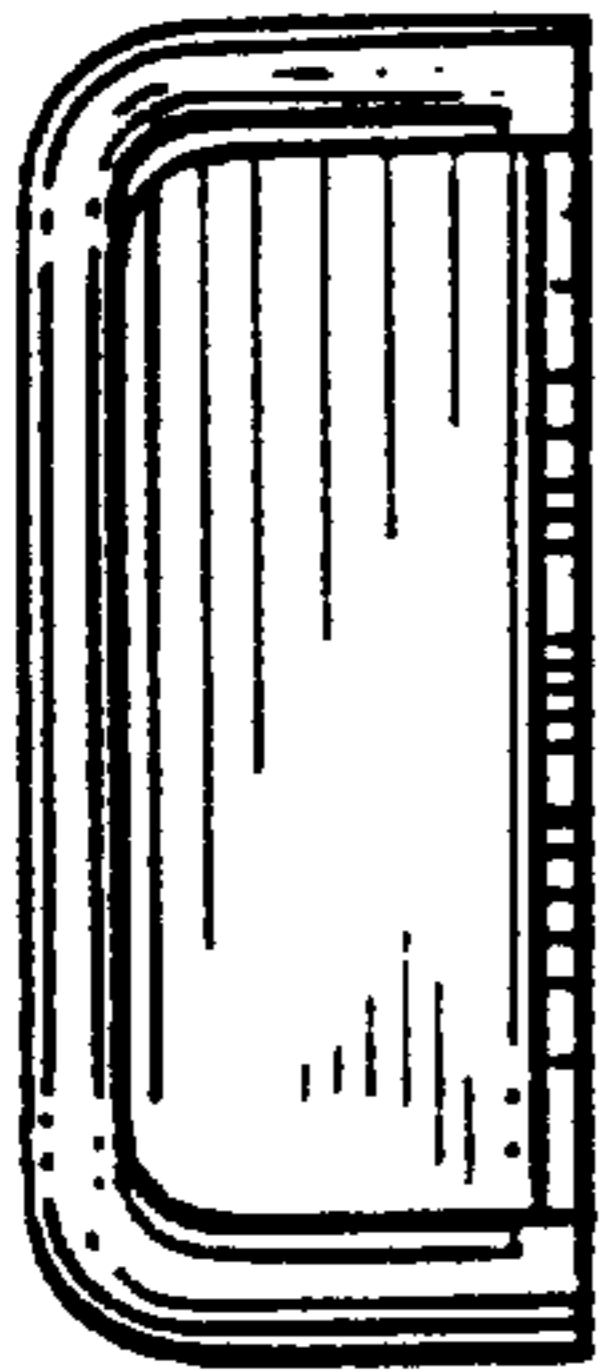


FIG. 2

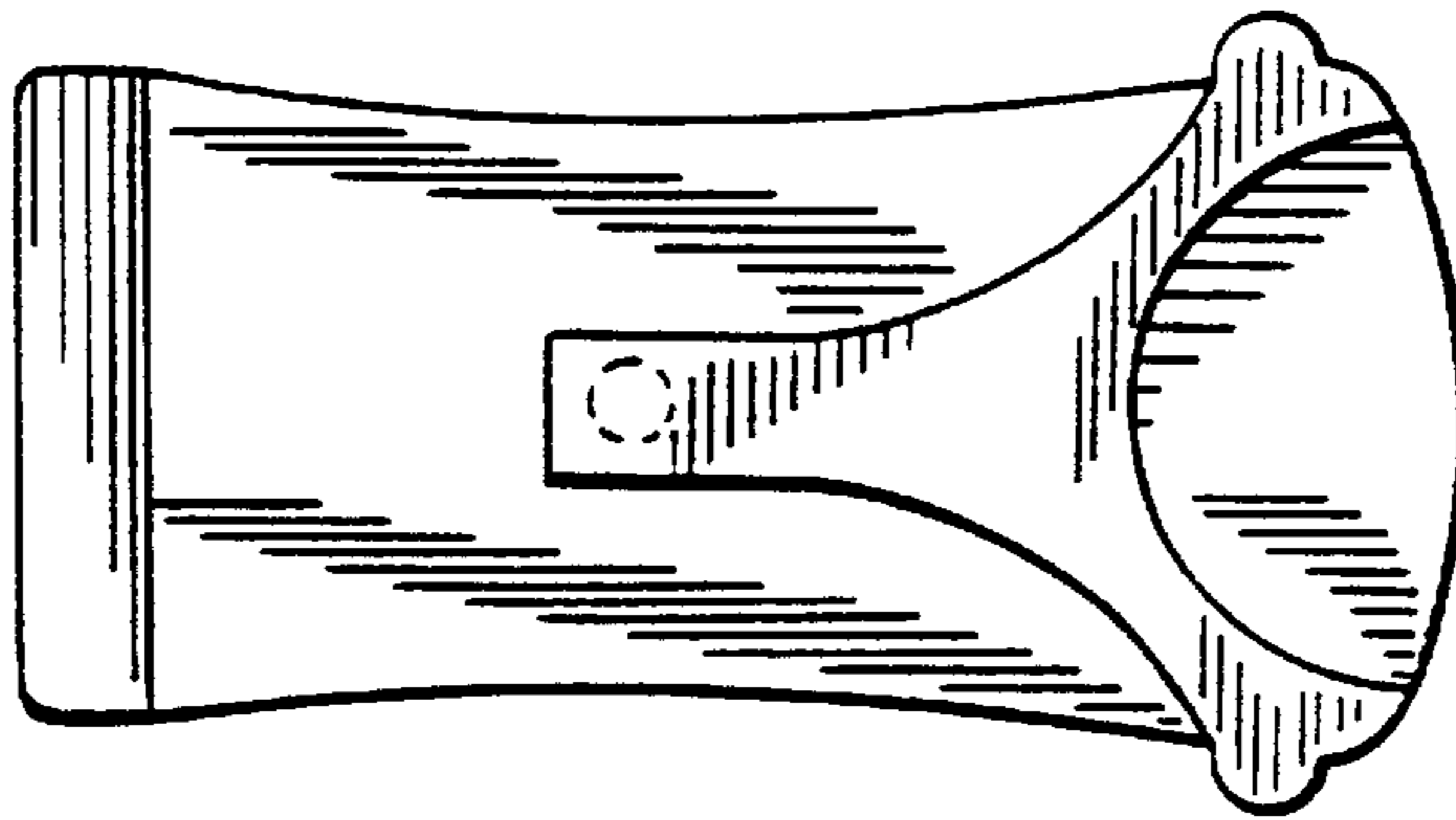


FIG. 4

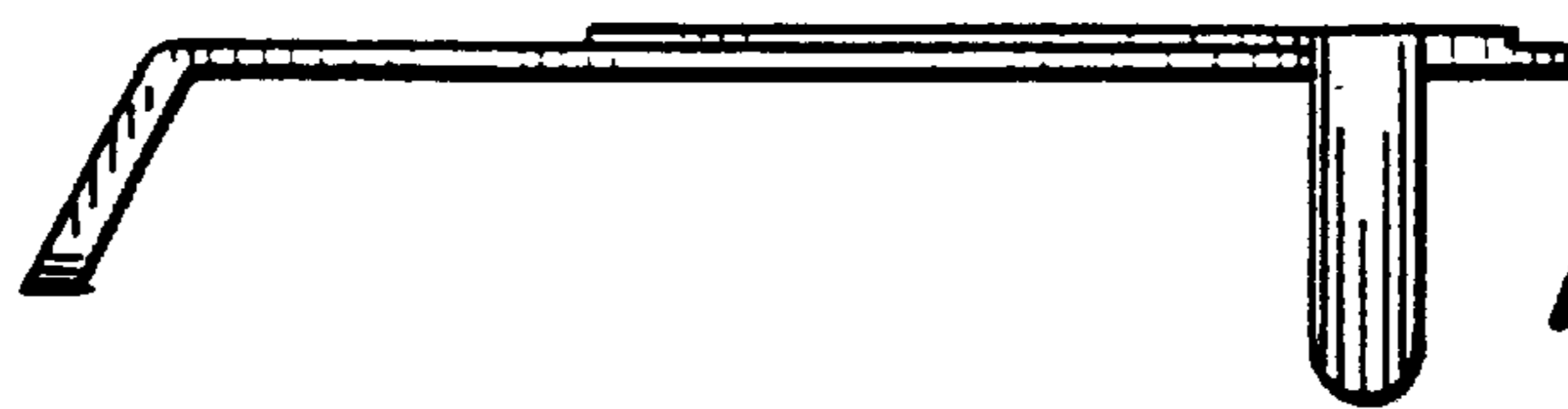
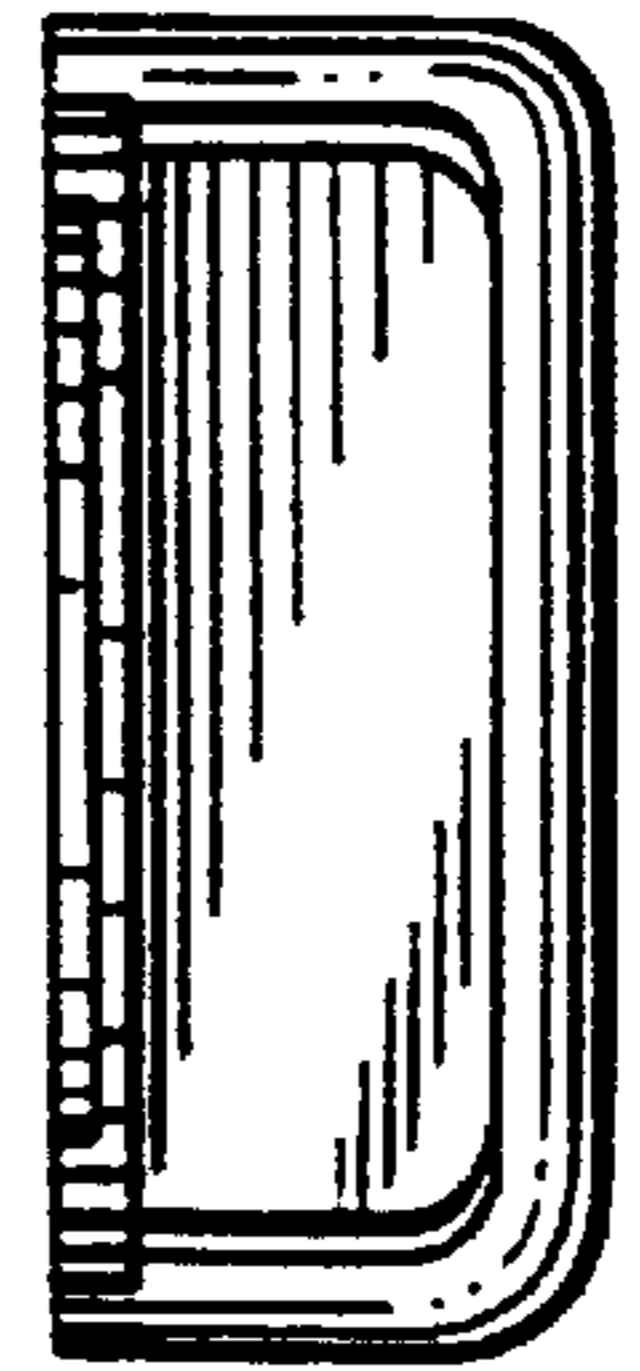


FIG. 5

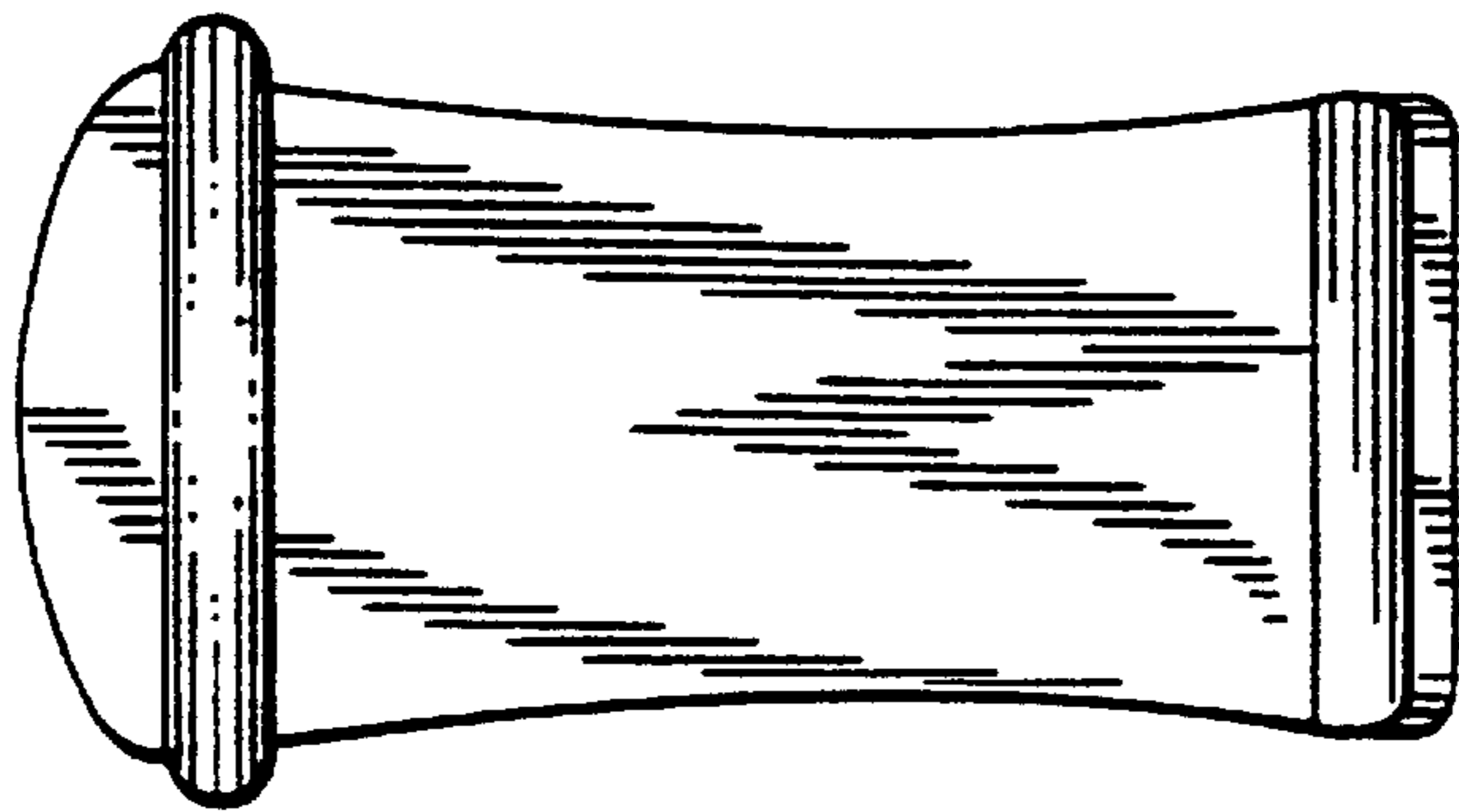


FIG. 6

UNITED STATES PATENT AND TRADEMARK OFFICE
CERTIFICATE OF CORRECTION

PATENT NO. : Des. 459,748 S
DATED : July 2, 2002
INVENTOR(S) : Robert Marc et al.

Page 1 of 1

It is certified that error appears in the above-identified patent and that said Letters Patent is hereby corrected as shown below:

Title page,

Insert: -- [73] Assignee: **Robert Marc**, New York, NY (US) --

Signed and Sealed this

Second Day of September, 2003

A handwritten signature in black ink, appearing to read "James E. Rogan", with a horizontal line drawn underneath it.

JAMES E. ROGAN
Director of the United States Patent and Trademark Office