



US00D459745S

(12) **United States Design Patent**
Jin

(10) **Patent No.:** **US D459,745 S**

(45) **Date of Patent:** **** Jul. 2, 2002**

(54) **CAMERA**

(75) **Inventor:** **Byung Wook Jin, Seoul (KR)**

(73) **Assignee:** **Samsung Techwin Co., Ltd.,
Changwon (KR)**

(**) **Term:** **14 Years**

(21) **Appl. No.:** **29/144,554**

(22) **Filed:** **Jul. 5, 2001**

(30) **Foreign Application Priority Data**

Mar. 14, 2001 (KR) 01-6076

(51) **LOC (7) Cl.** **16-01**

(52) **U.S. Cl.** **D16/209**

(58) **Field of Search** D16/200-205,
D16/208, 209, 218; 396/84, 535-541

(56) **References Cited**

U.S. PATENT DOCUMENTS

4,990,945 A * 2/1991 Cho et al. 396/84
D389,502 S * 1/1998 Lee et al. D16/209

D432,152 S * 10/2000 Watanabe D16/209
D446,536 S * 8/2001 Kim D16/209
2001/0026689 A1 * 10/2001 Ito 396/535

* cited by examiner

Primary Examiner—Adir Aronovich

(74) *Attorney, Agent, or Firm*—Dellett and Walters

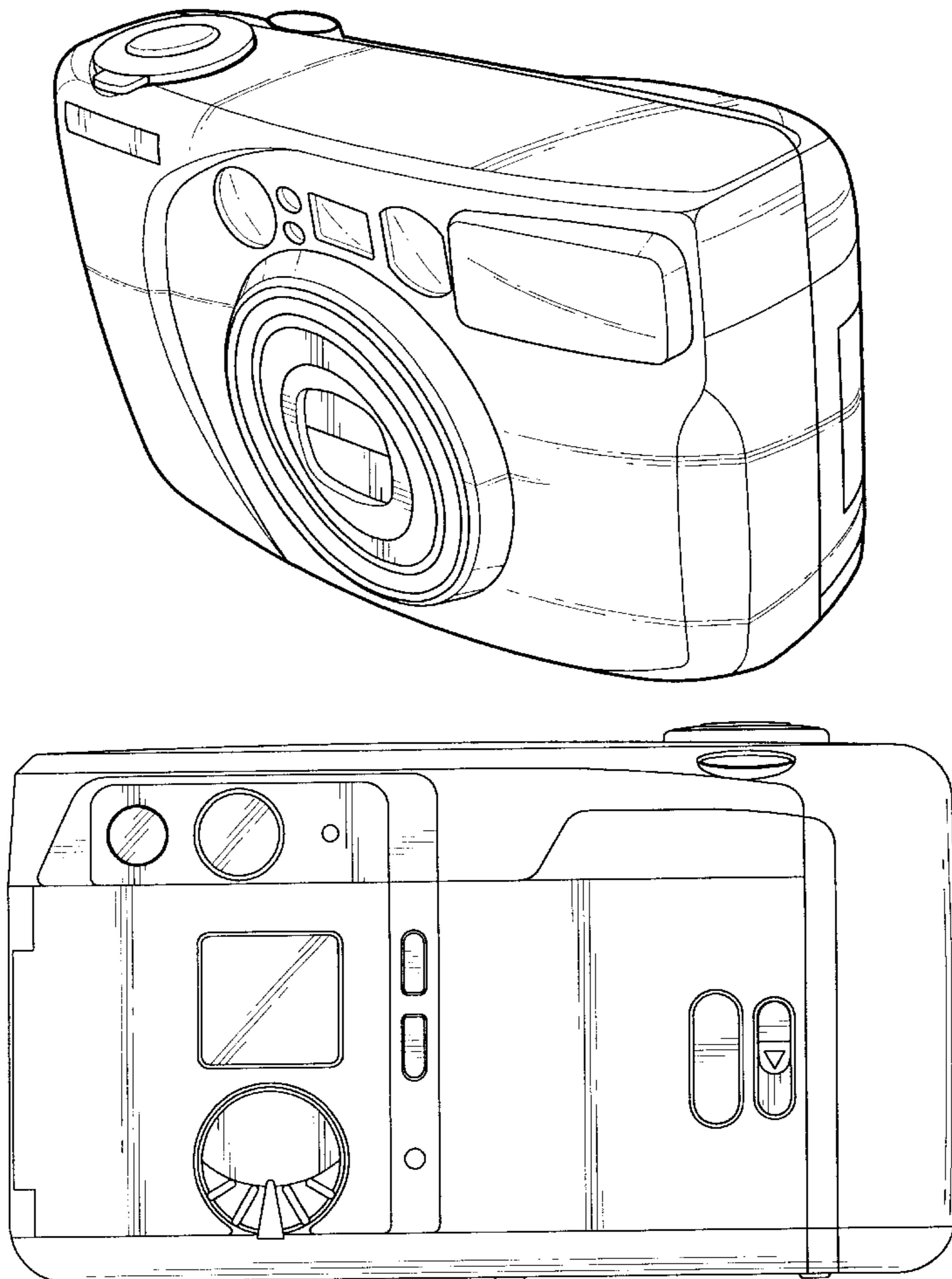
(57) **CLAIM**

The ornamental design for a camera, as shown and described.

DESCRIPTION

FIG. 1 is a perspective view of the design for a camera;
FIG. 2 is a front view of the design of FIG. 1;
FIG. 3 is a rear elevational view of the design of FIG. 1;
FIG. 4 is a left side view of the design of FIG. 1;
FIG. 5 is a right side view of the design of FIG. 1;
FIG. 6 is a top view of the design of FIG. 1;
FIG. 7 is a bottom view of the design of FIG. 1; and,
FIG. 8 is a perspective view of the design for a camera with
the lens shown in an alternate position.

1 Claim, 7 Drawing Sheets



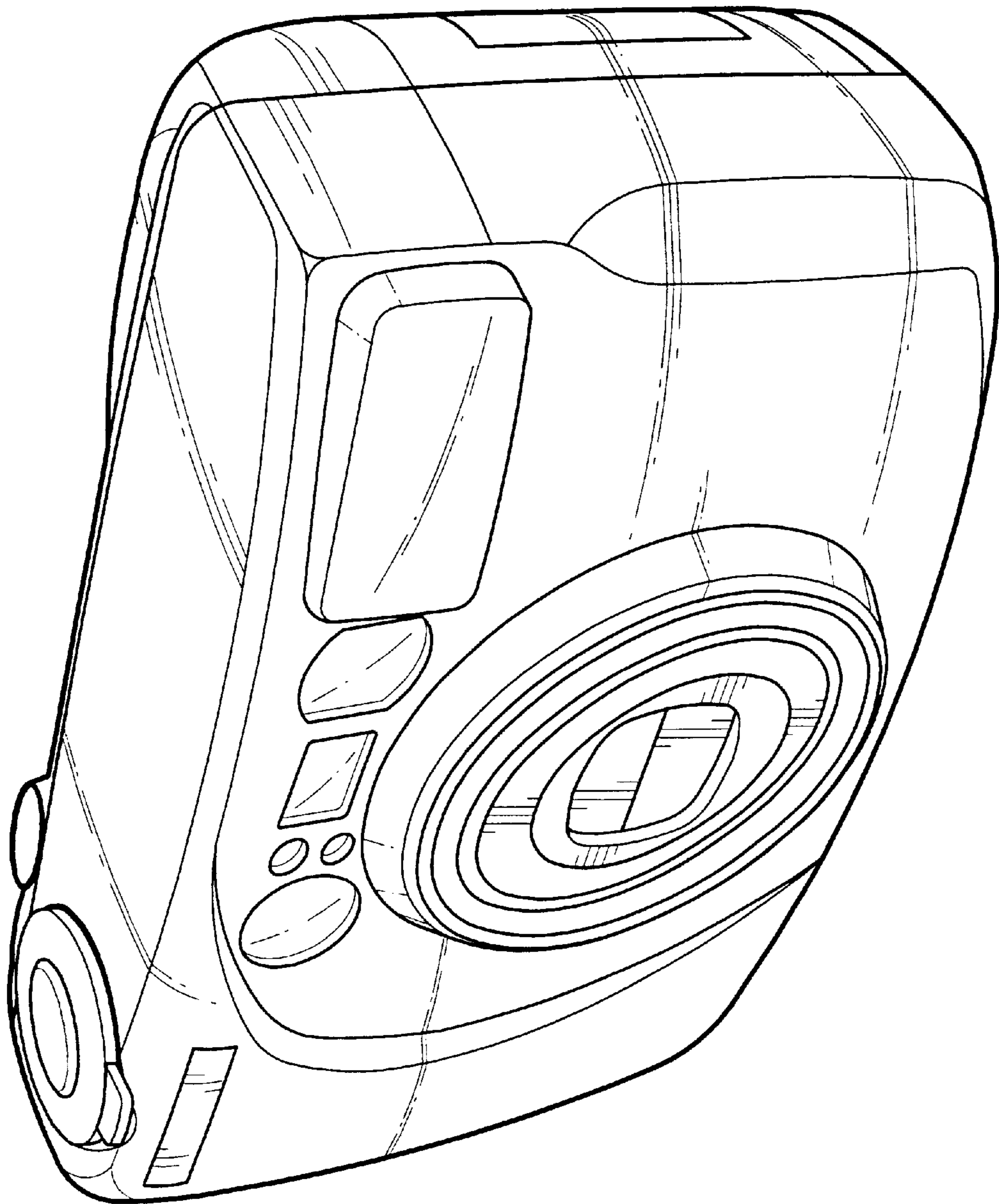


FIG.1

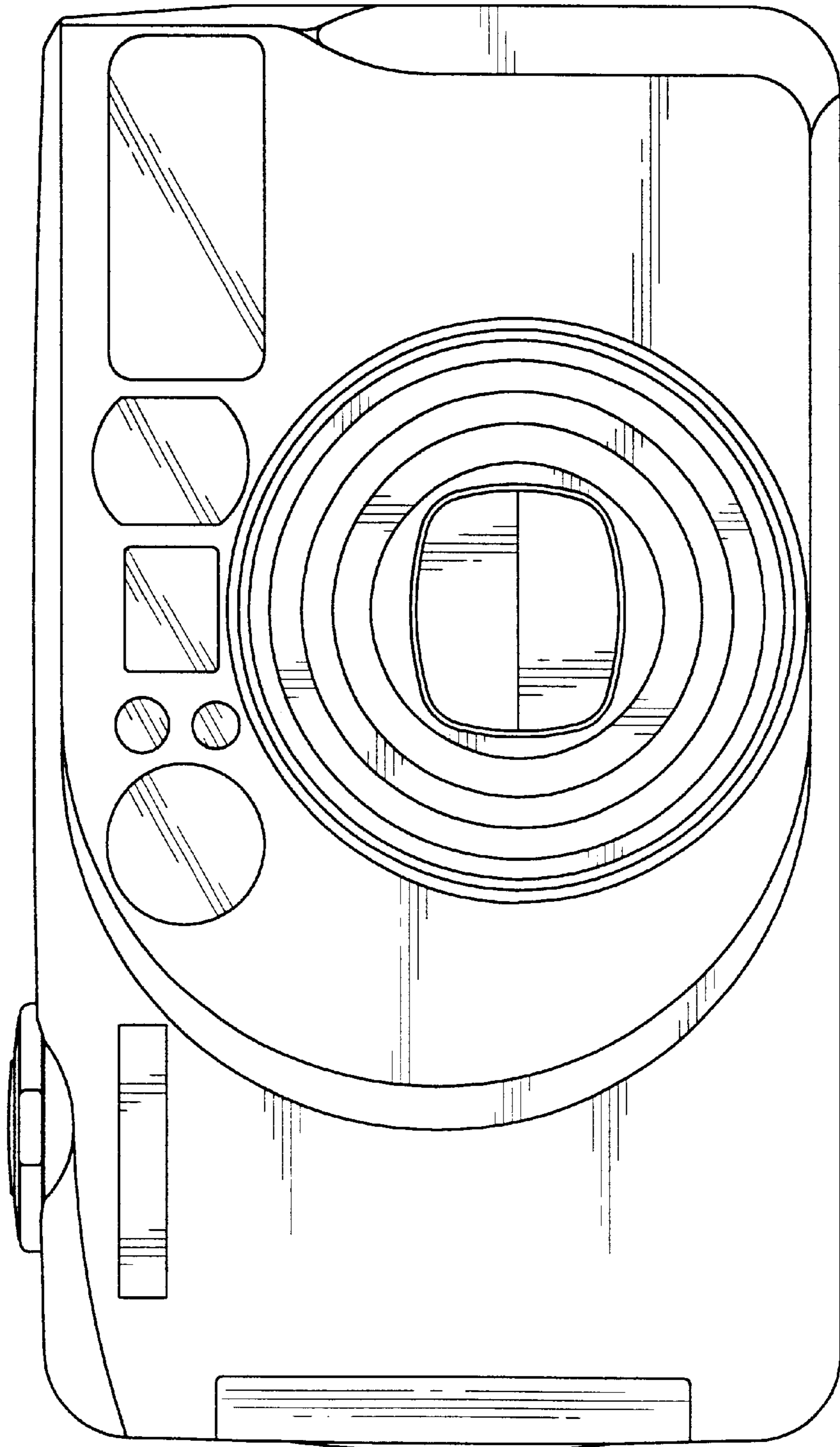


FIG.2

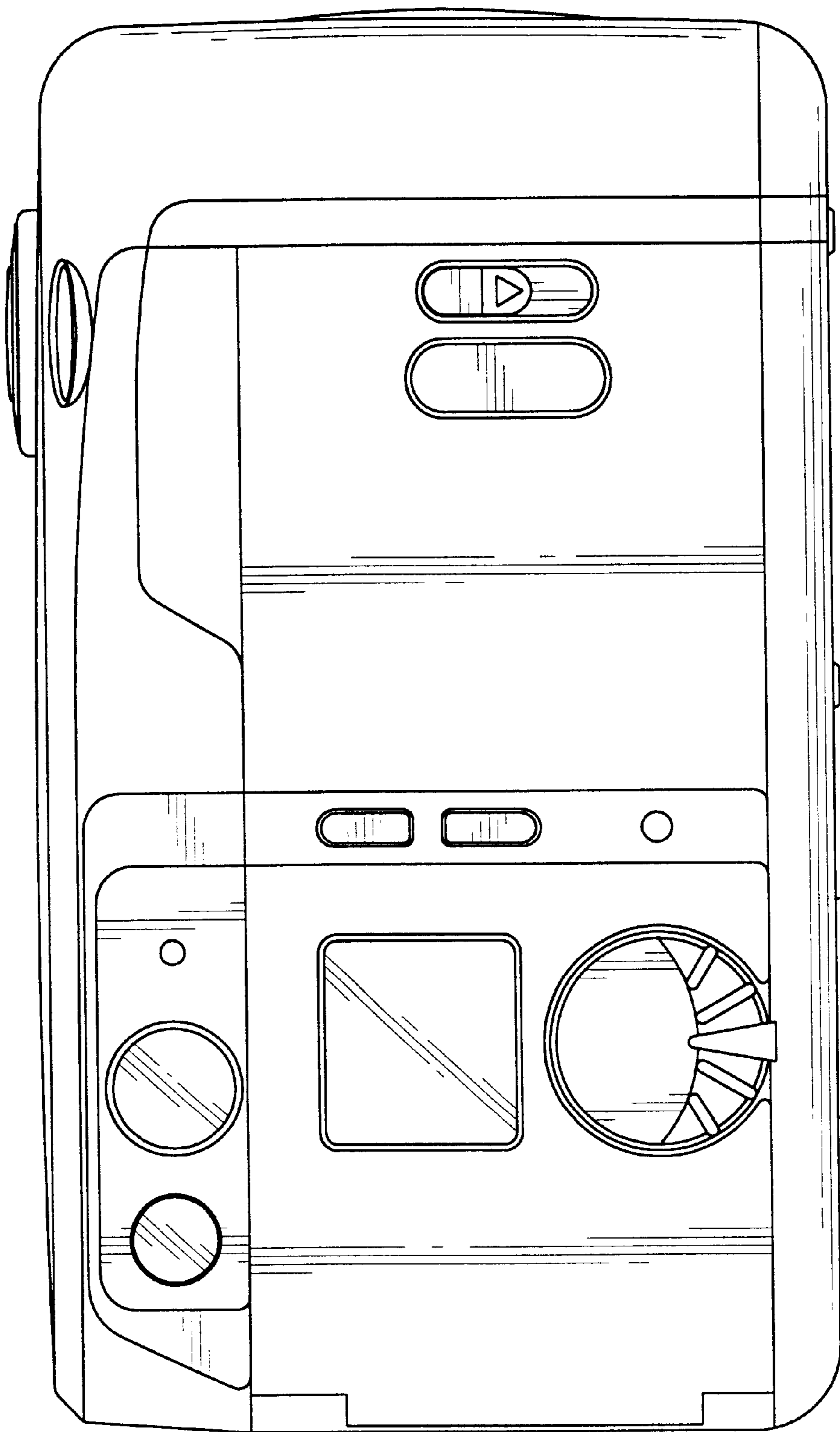


FIG.3

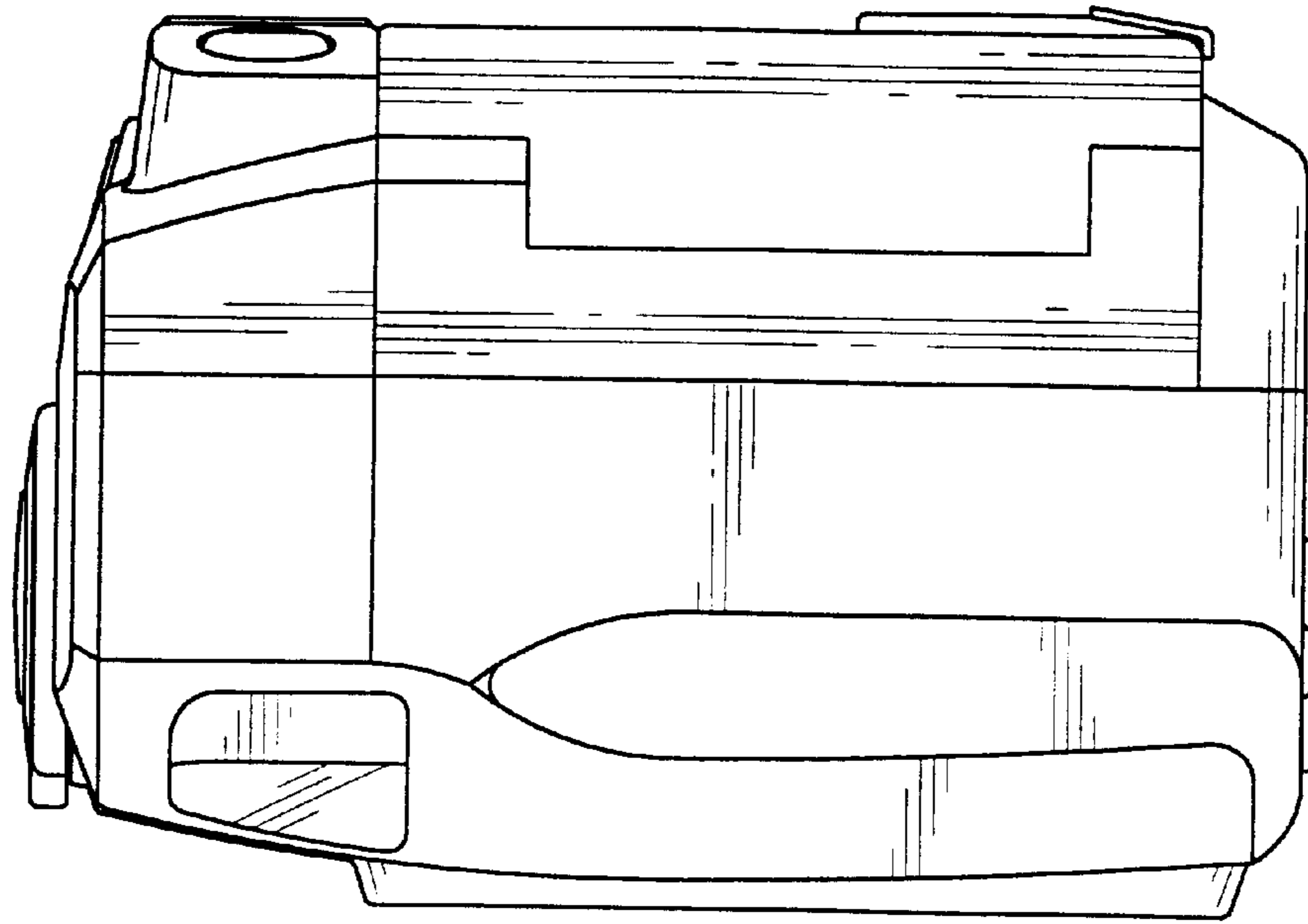


FIG.5

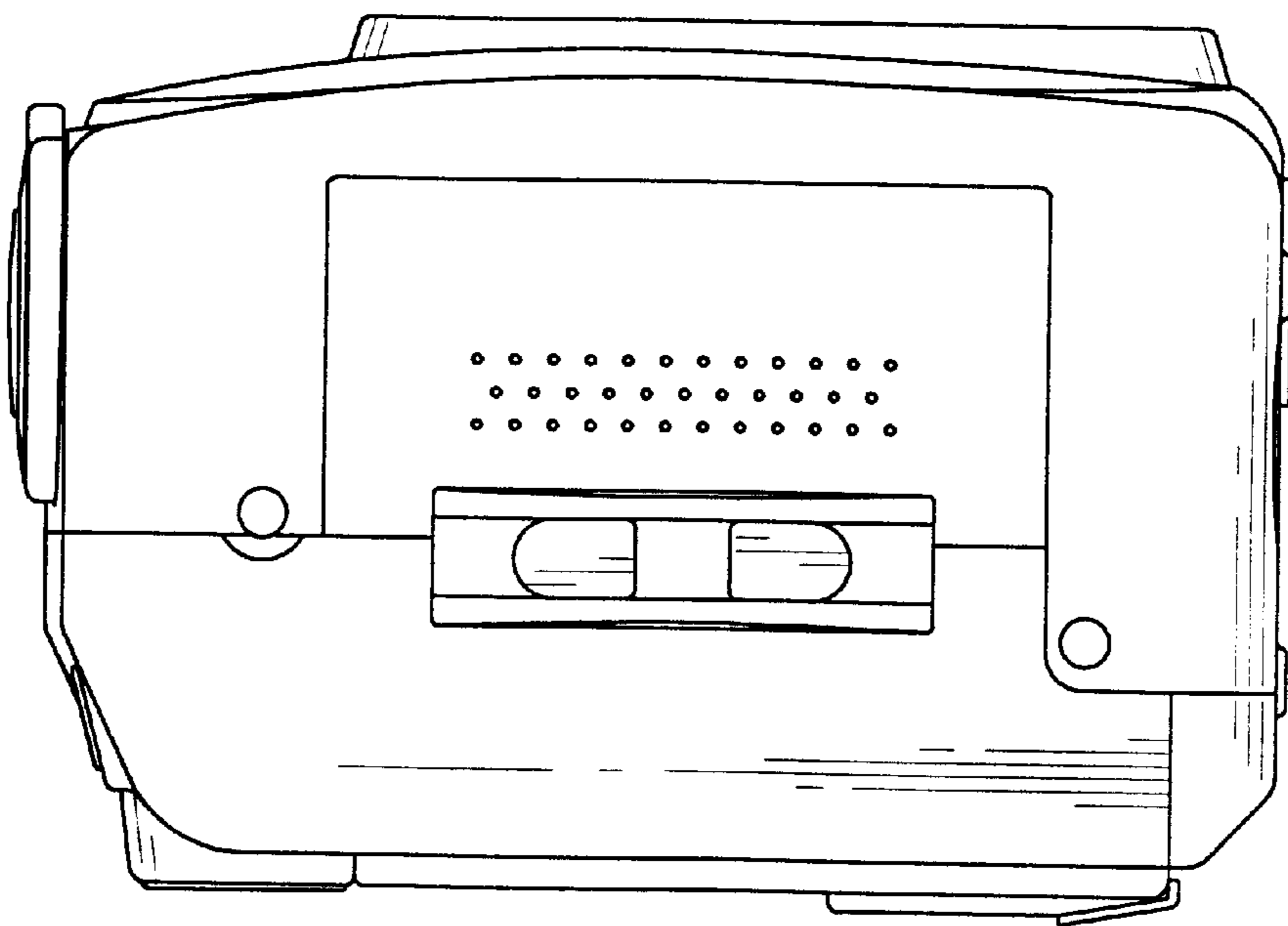


FIG.4

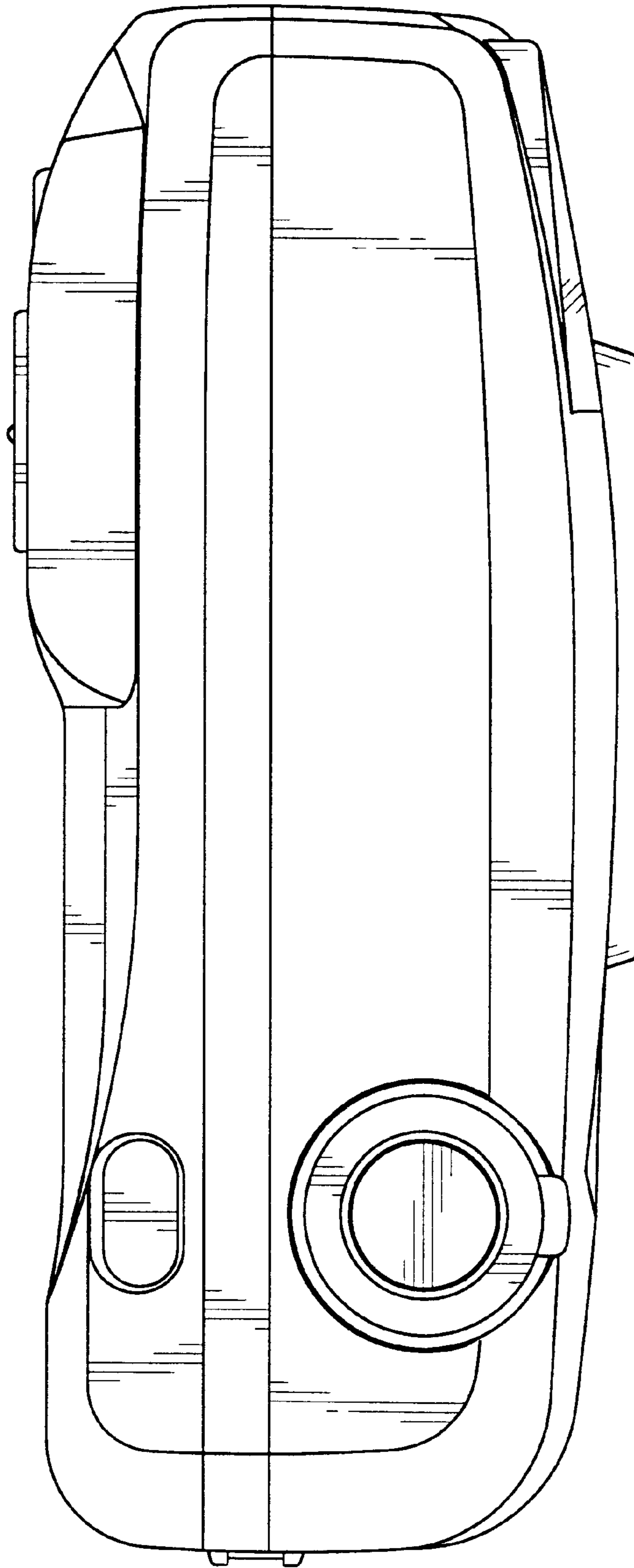


FIG.6

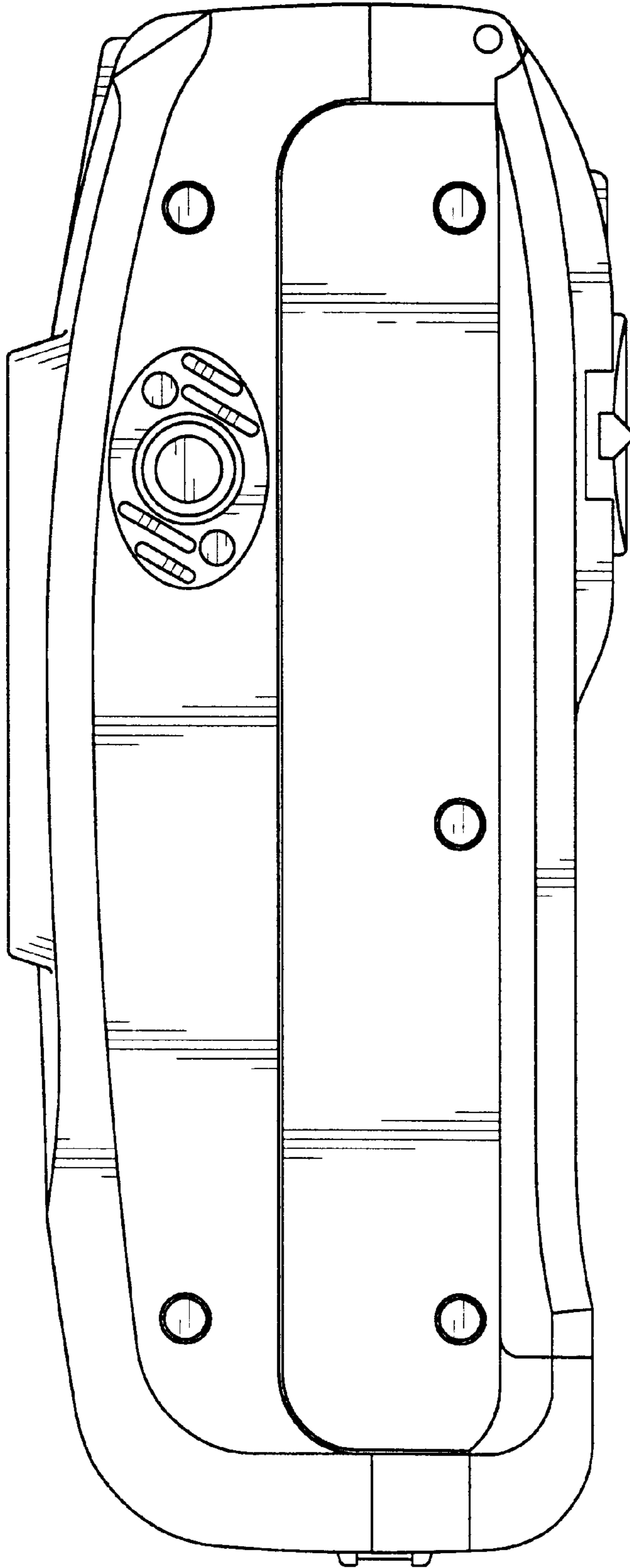


FIG.7

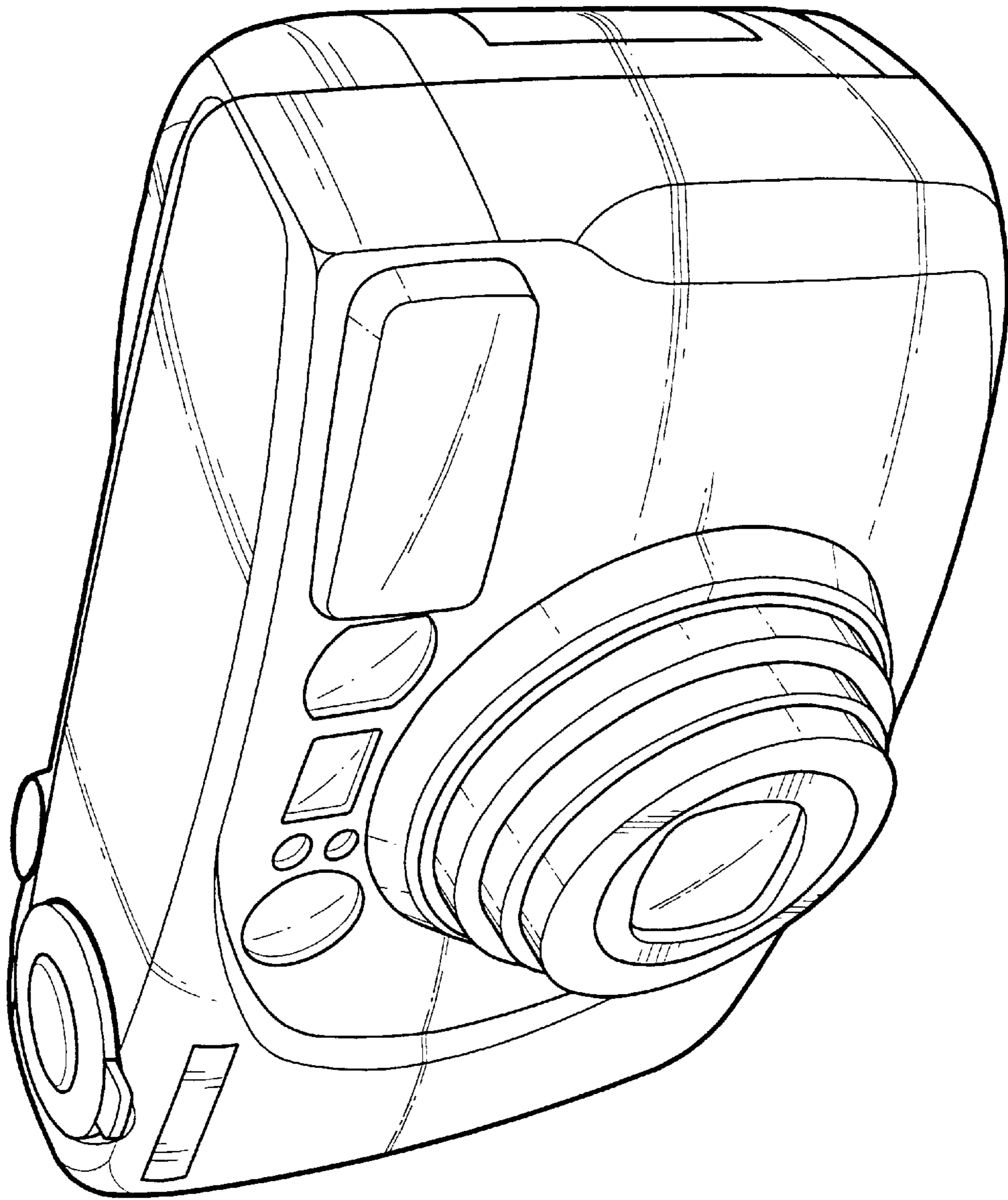


FIG.8