



US00D459744S

(12) **United States Design Patent**  
**Apothéloz**

(10) **Patent No.:** **US D459,744 S**

(45) **Date of Patent:** **\*\* Jul. 2, 2002**

(54) **MICROSCOPE**

(75) Inventor: **Christophe Apothéloz**, Gockhausesn  
(CH)

(73) Assignee: **Leica Microsystems AG**, Heerbrugg  
(CH)

(\*\*) Term: **14 Years**

(21) Appl. No.: **29/132,494**

(22) Filed: **Nov. 13, 2000**

(30) **Foreign Application Priority Data**

May 12, 2000 (DE) ..... 400 04 640

(51) **LOC (7) Cl.** ..... **16-06**

(52) **U.S. Cl.** ..... **D16/131**

(58) **Field of Search** ..... D16/130, 131,  
D16/134; 359/375, 376, 381, 382, 383,  
385

(56) **References Cited**

**U.S. PATENT DOCUMENTS**

2,967,456	A	*	1/1961	Maier	.....	359/376	X
D198,104	S	*	4/1964	Armbruster	.....	D16/131	
3,260,157	A	*	7/1966	Boughton	.....	359/379	
4,283,111	A	*	8/1981	Wieber et al.	.....	359/381	
D290,129	S	*	6/1987	Kahute	.....	D16/131	
D299,357	S	*	1/1989	Garnich et al.	.....	D16/131	
5,119,233	A	*	6/1992	Hayashi	.....	359/385	X
D367,869	S	*	3/1996	Hofmann-Igl et al.	.....	D16/131	
D439,258	S	*	3/2001	Kawahata	.....	D16/131	
D440,996	S	*	4/2001	Takanashi	.....	D16/131	

\* cited by examiner

*Primary Examiner*—Paula A. Mortimer

(74) *Attorney, Agent, or Firm*—Crowell & Moring LLP

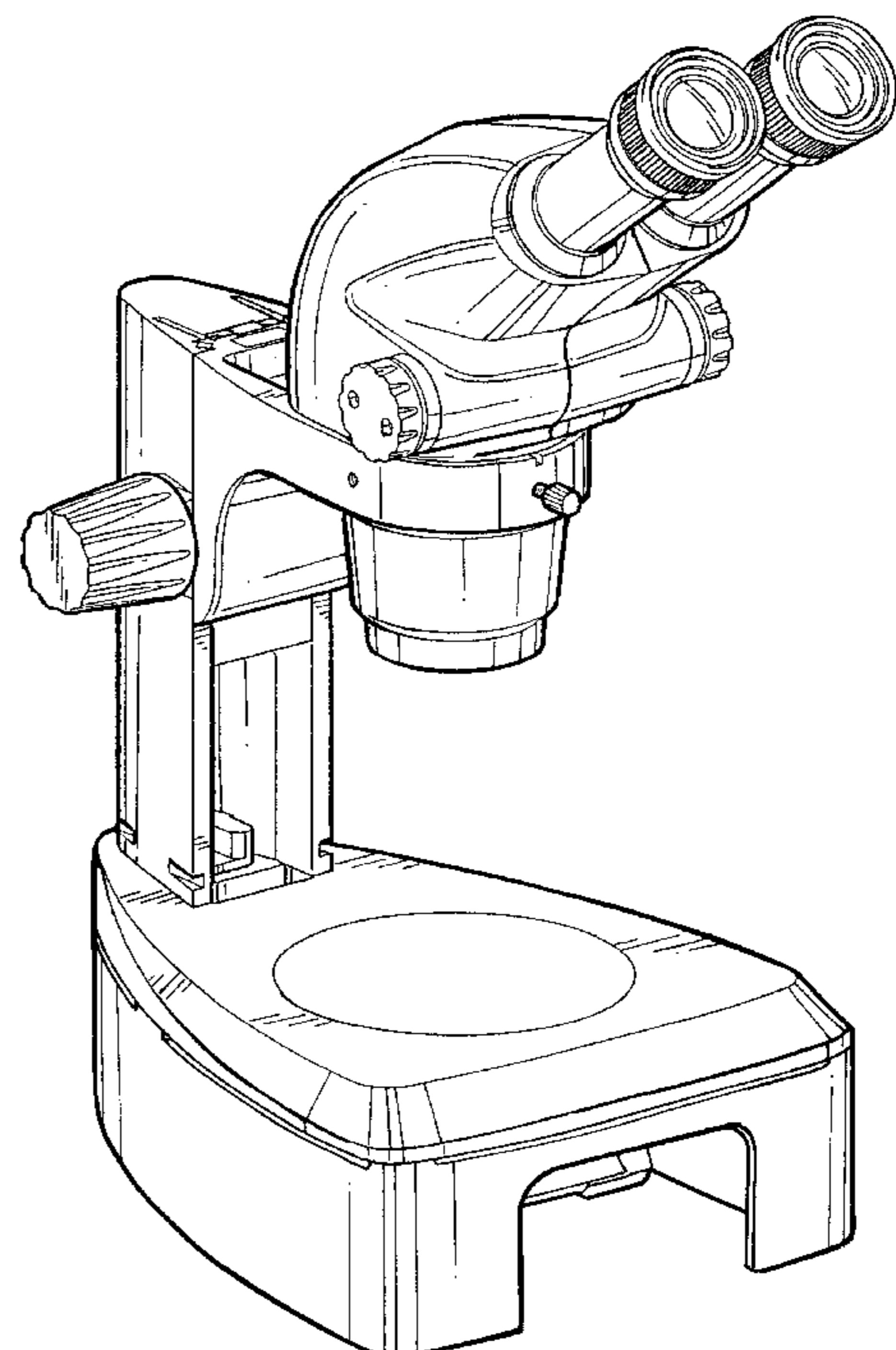
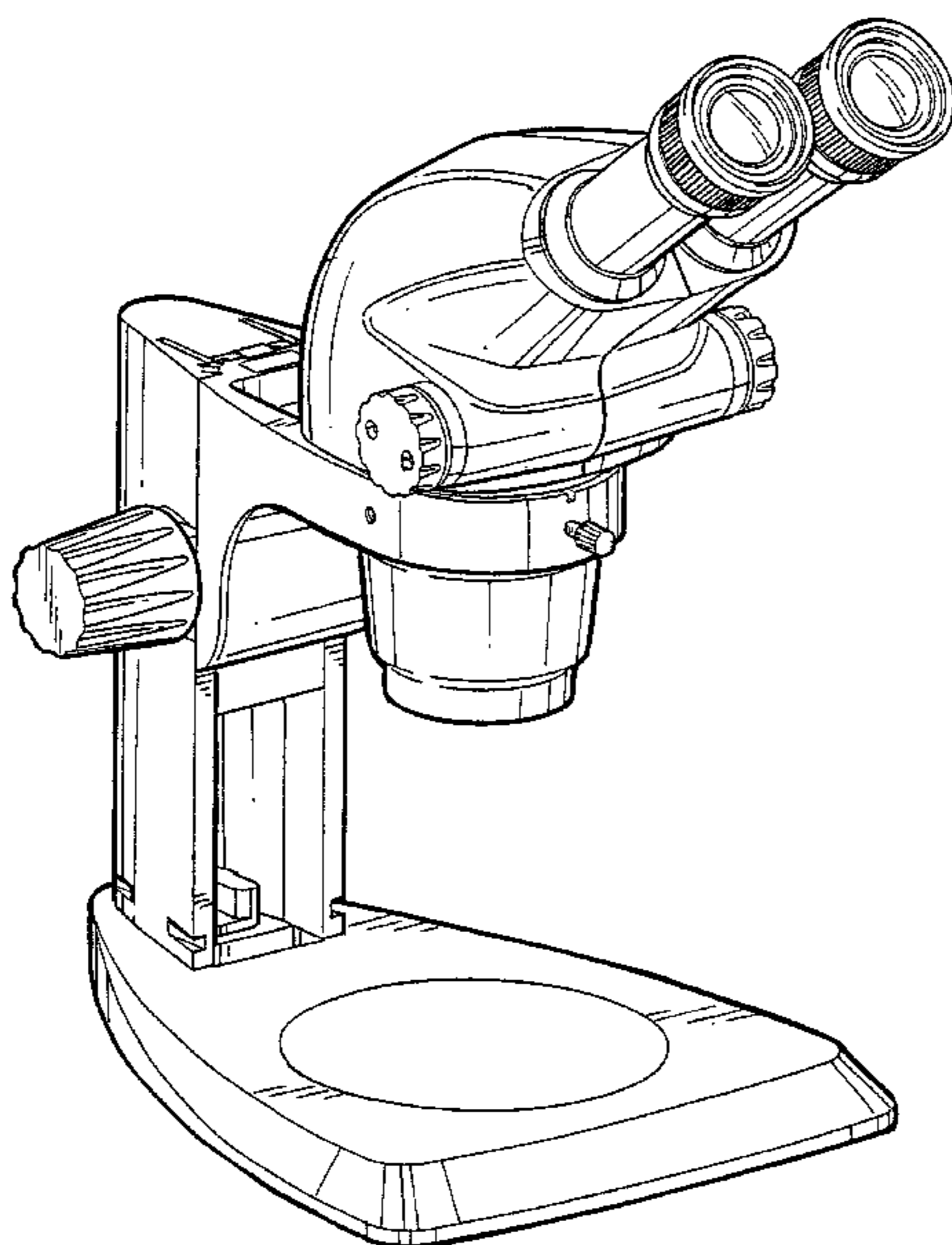
(57) **CLAIM**

The ornamental design for a microscope, as shown and described.

**DESCRIPTION**

FIG. 1 is a front perspective view of a first embodiment of a microscope according to my novel design;  
 FIG. 2 is a front view of the first embodiment of the microscope according to my novel design;  
 FIG. 3 is a rear view of the first embodiment of the microscope according to my novel design;  
 FIG. 4 is a right side view of the first embodiment of the microscope according to my novel design, the left side view being mirror symmetrical;  
 FIG. 5 is a top view of the first embodiment of the microscope according to my novel design;  
 FIG. 6 is a bottom view of the first embodiment of the microscope according to my novel design;  
 FIG. 7 is a front perspective view of a second embodiment of a microscope according to my novel design;  
 FIG. 8 is a front view of the second embodiment of the microscope according to my novel design;  
 FIG. 9 is a rear view of the second embodiment of the microscope according to my novel design;  
 FIG. 10 is a right side view of the second embodiment of the microscope according to my novel design, the left side view being mirror symmetrical;  
 FIG. 11 is a top view of the second embodiment of the microscope according to my novel design; and,  
 FIG. 12 is a bottom view of the second embodiment of the microscope according to my novel design.

**1 Claim, 8 Drawing Sheets**



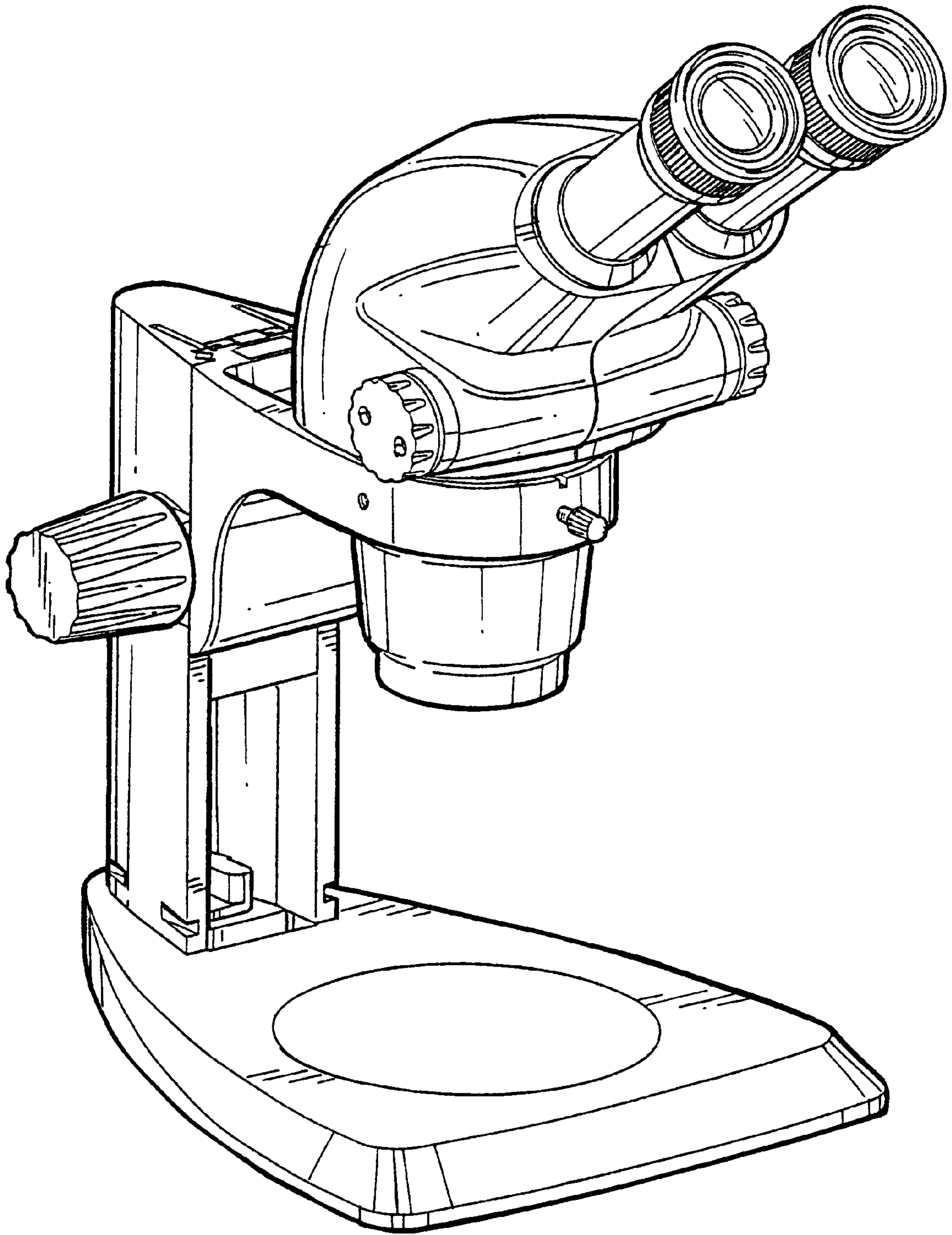


FIG. 1

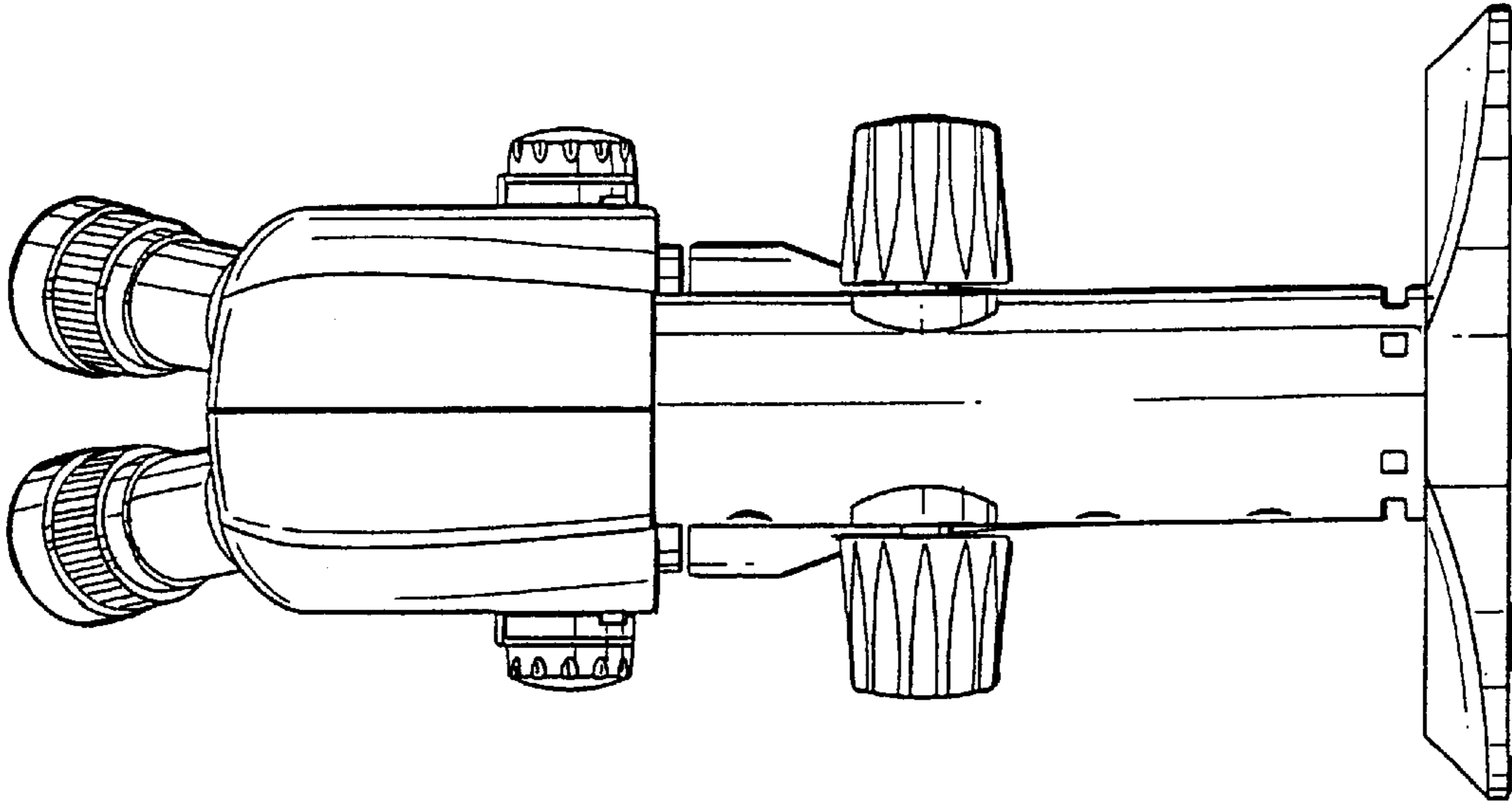


FIG. 3

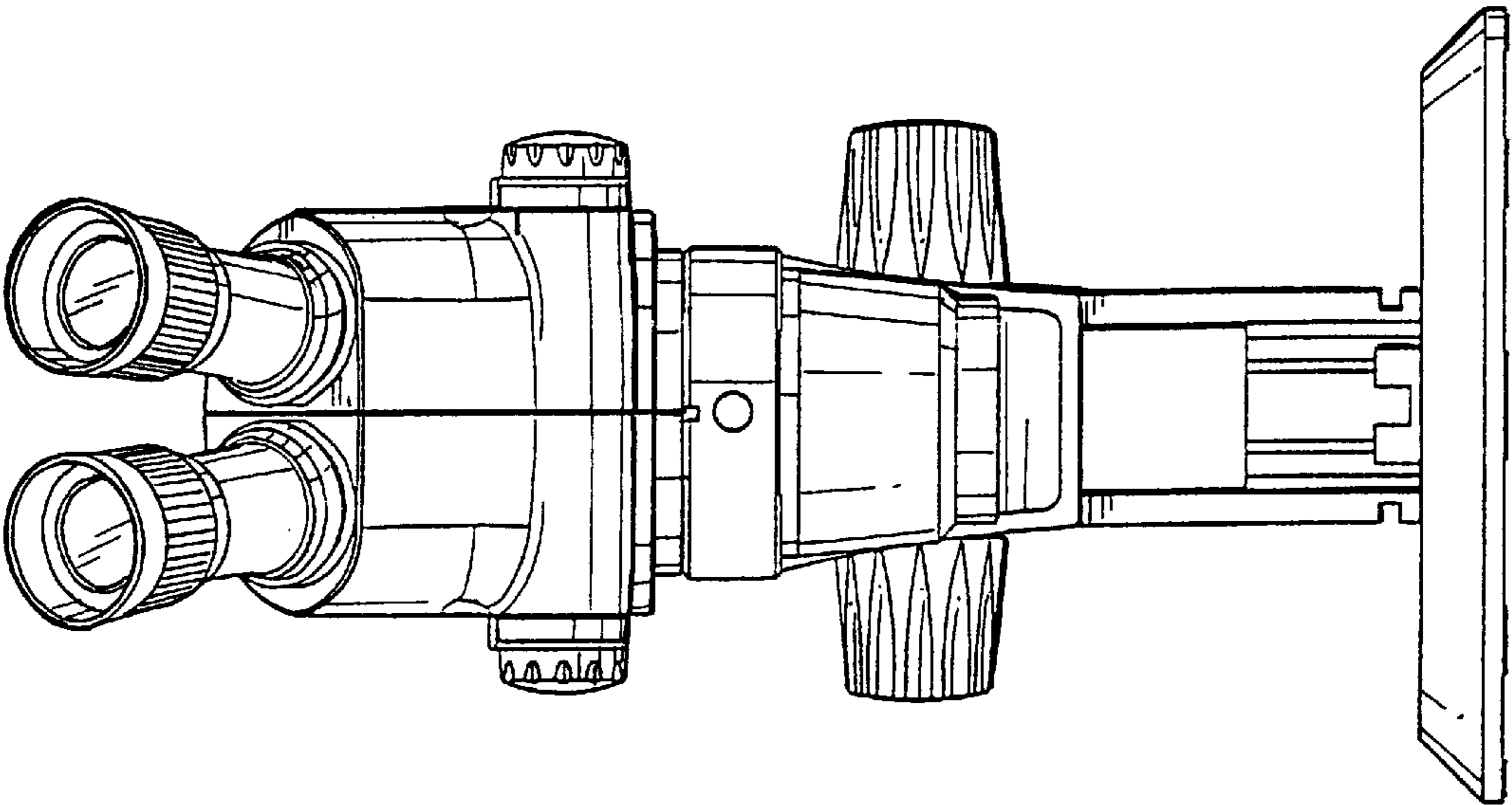


FIG. 2

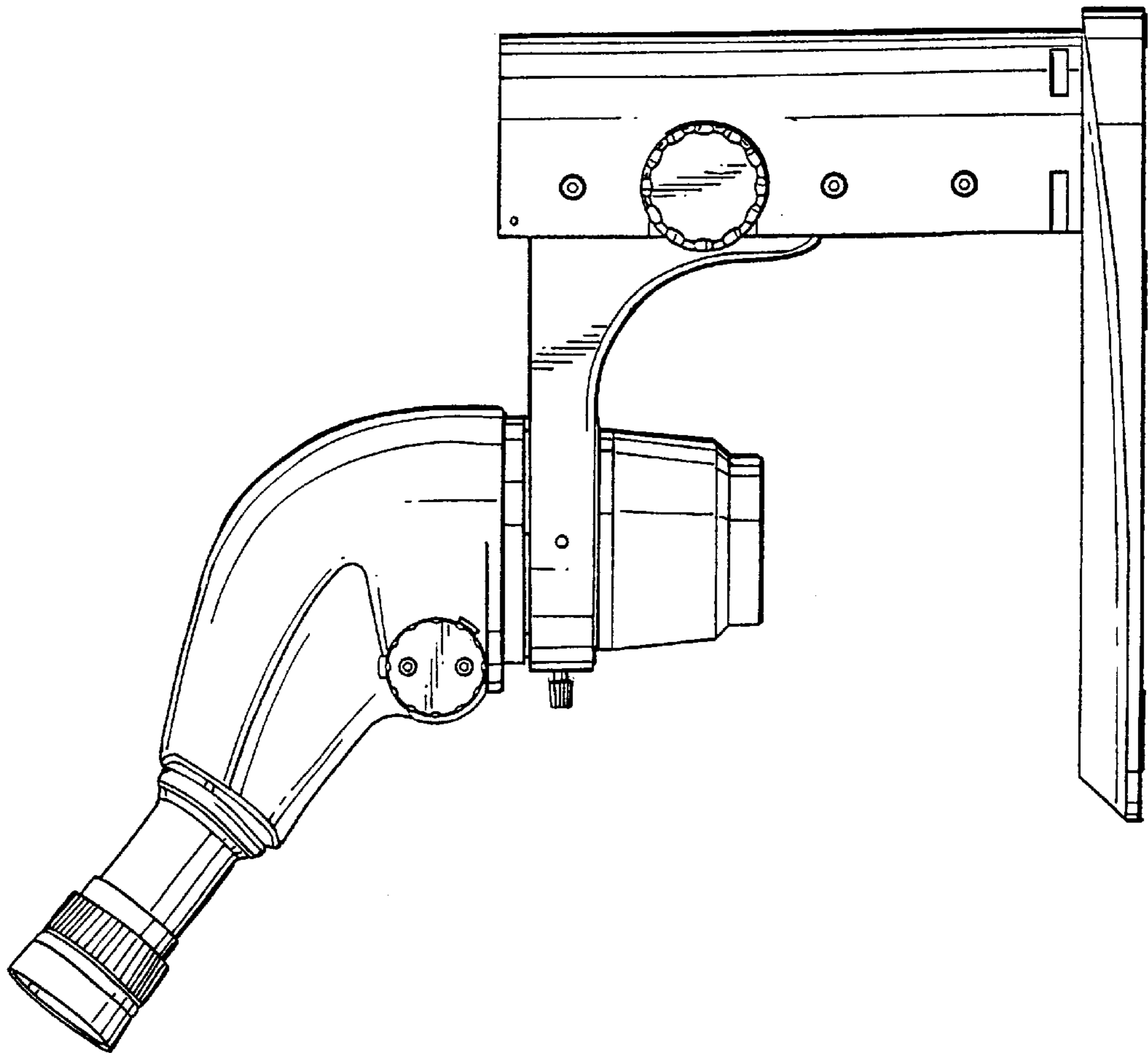


FIG. 4

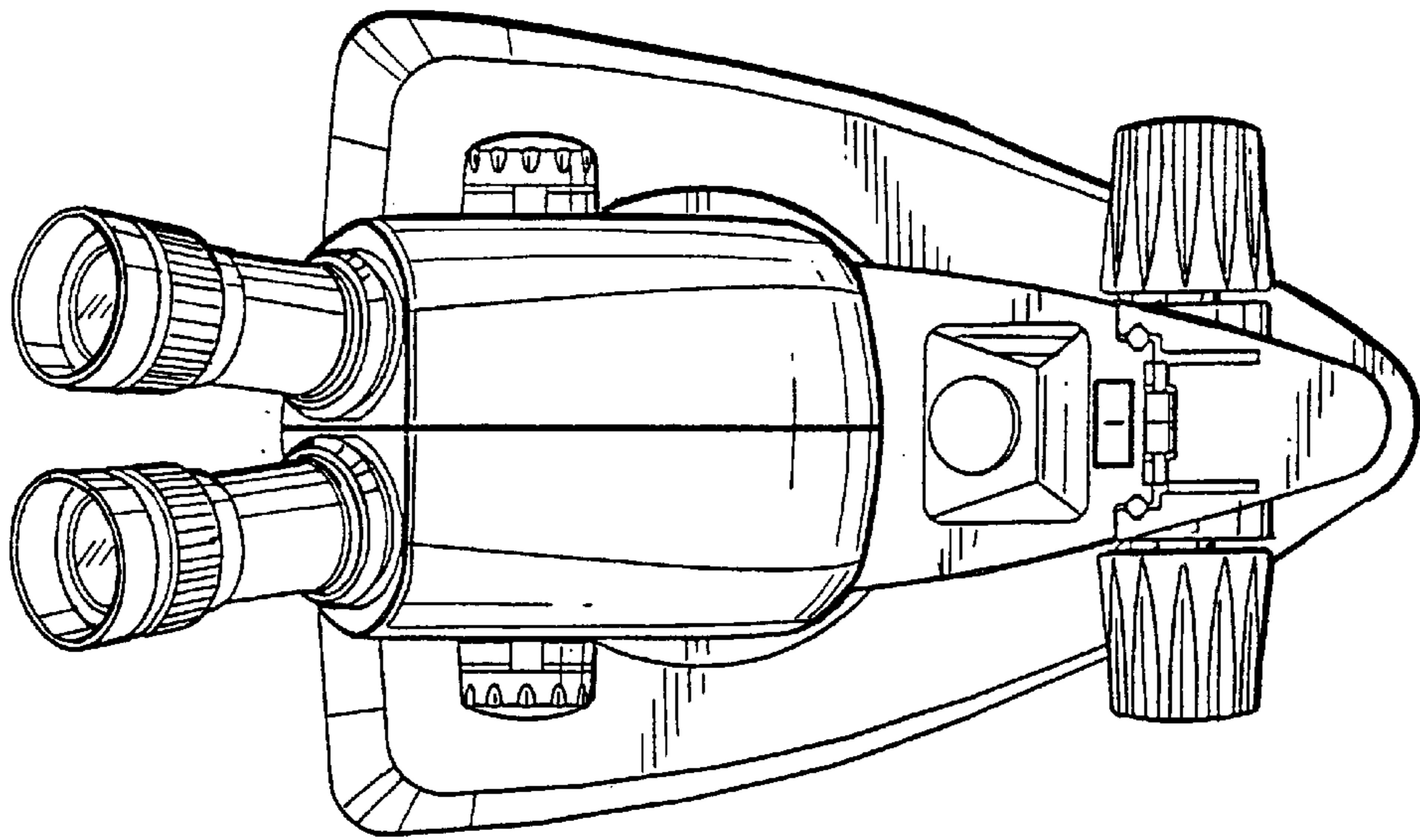


FIG. 5

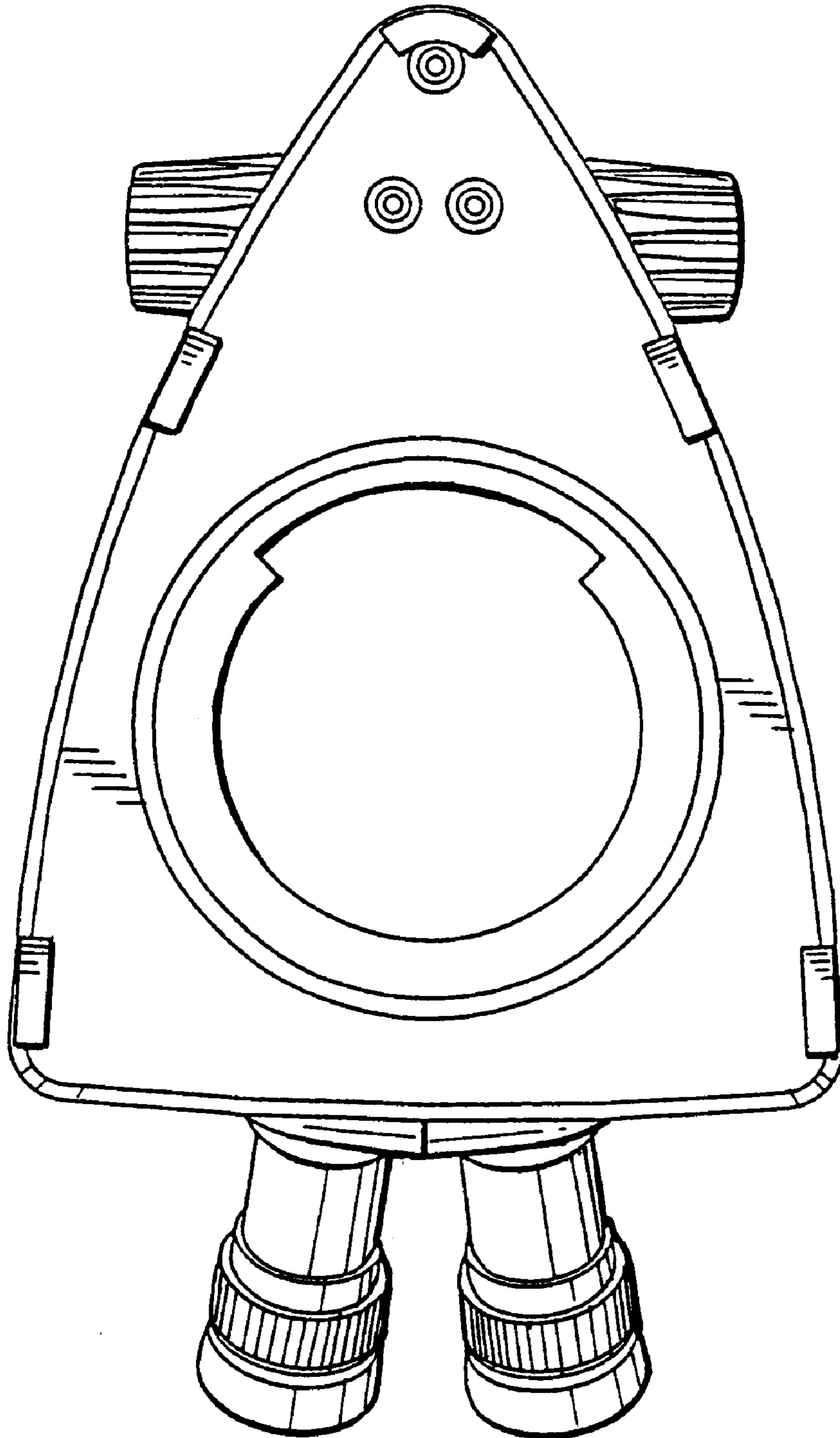


FIG. 6

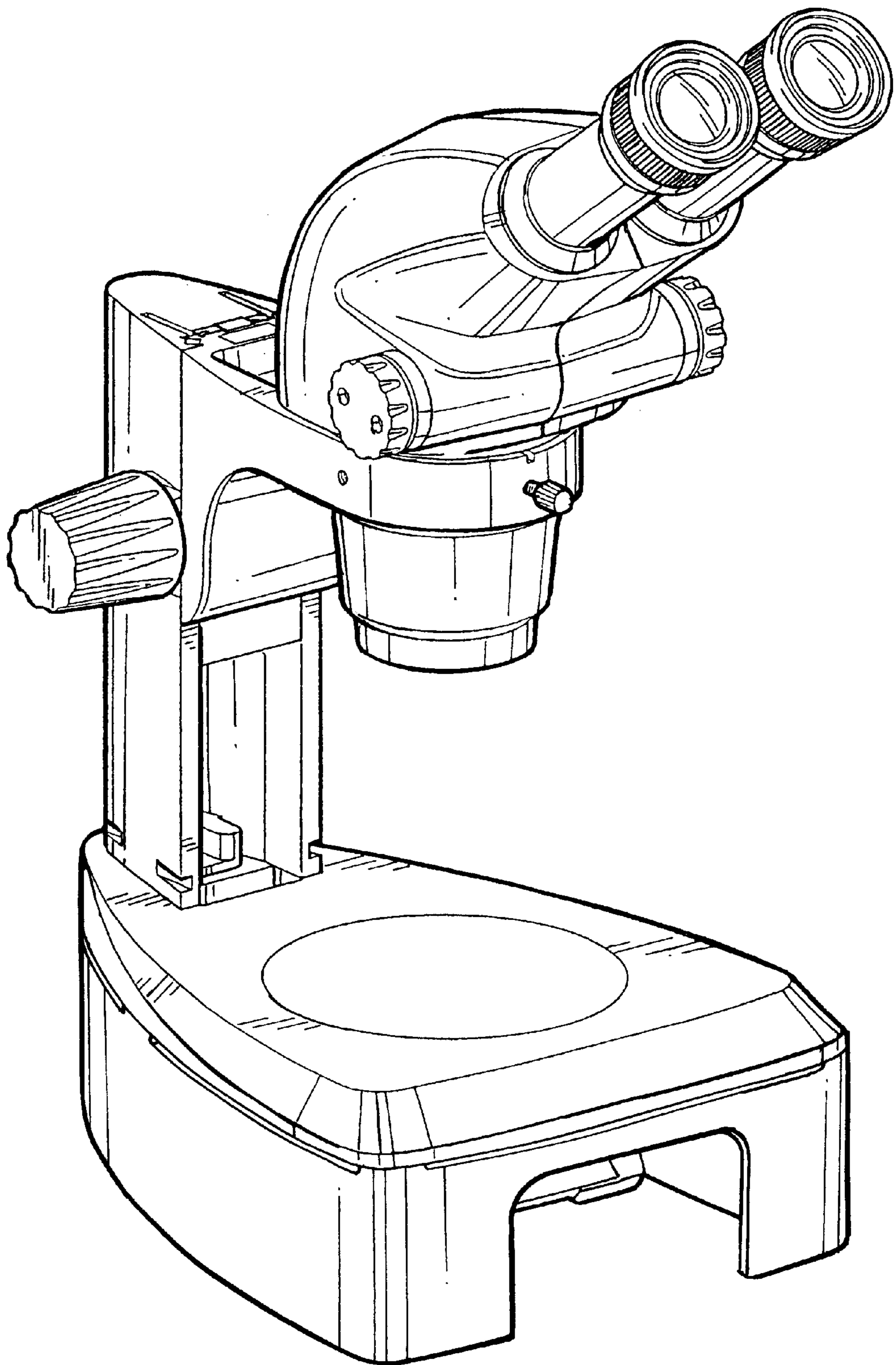


FIG. 7

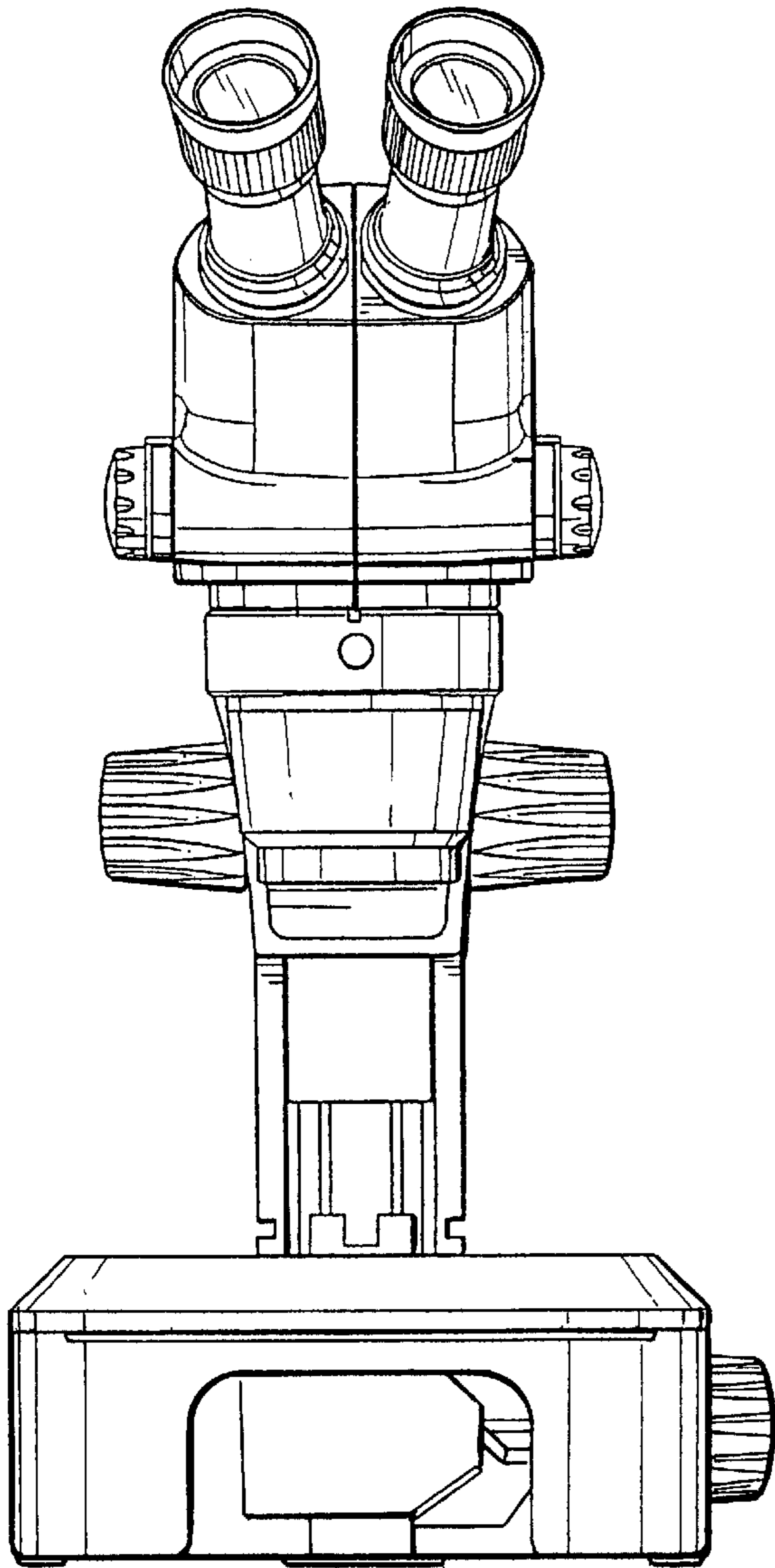


FIG. 8

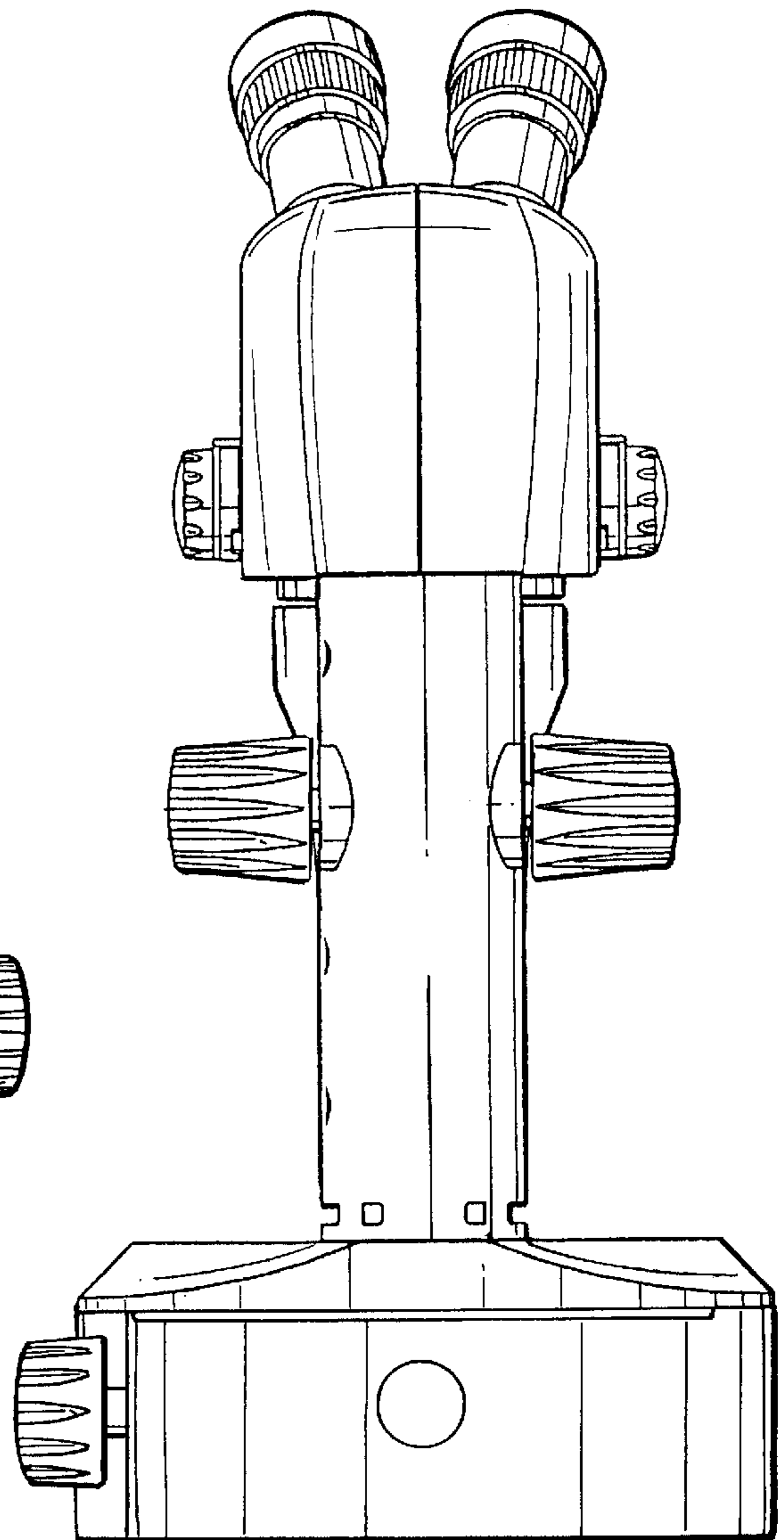


FIG. 9

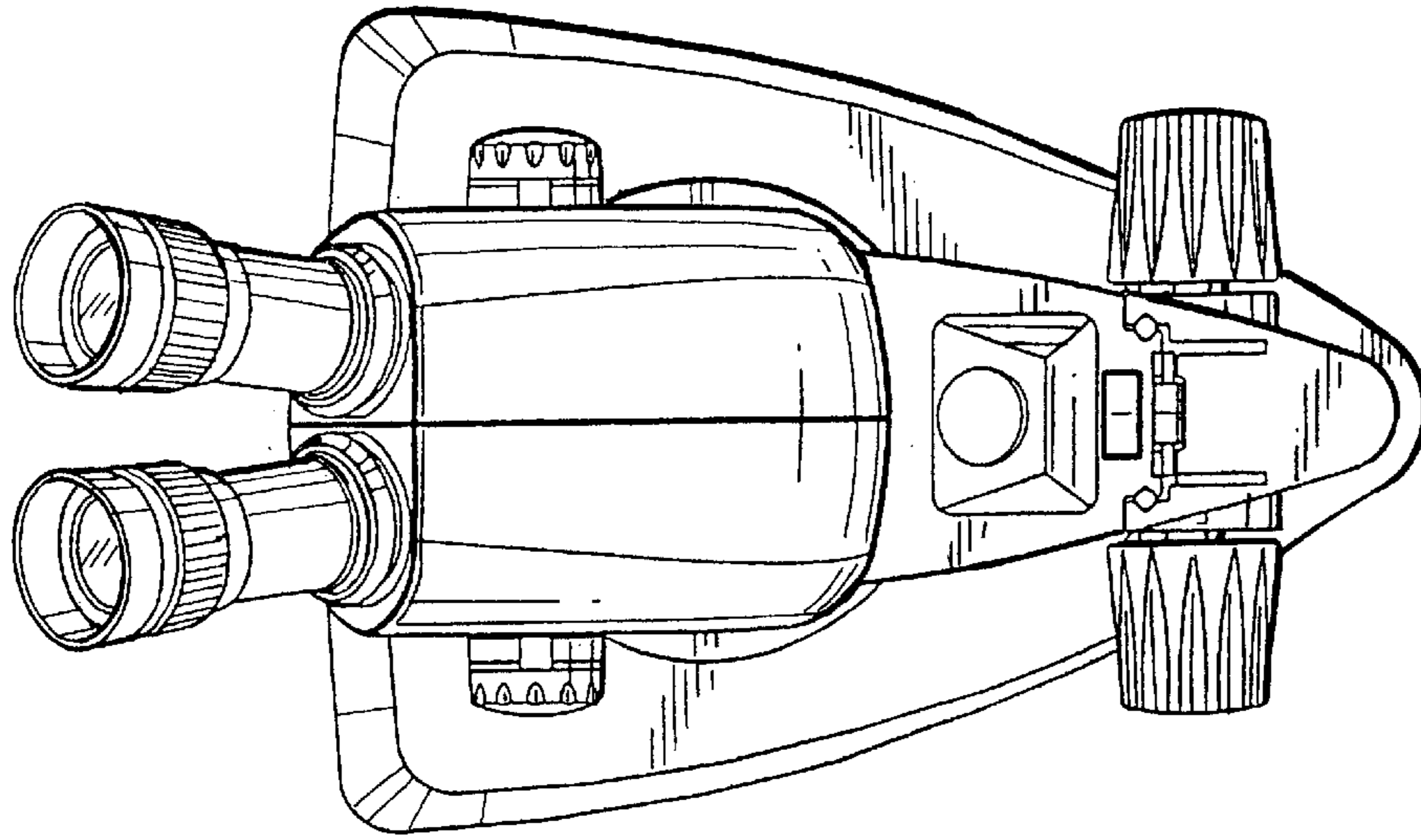


FIG. 11

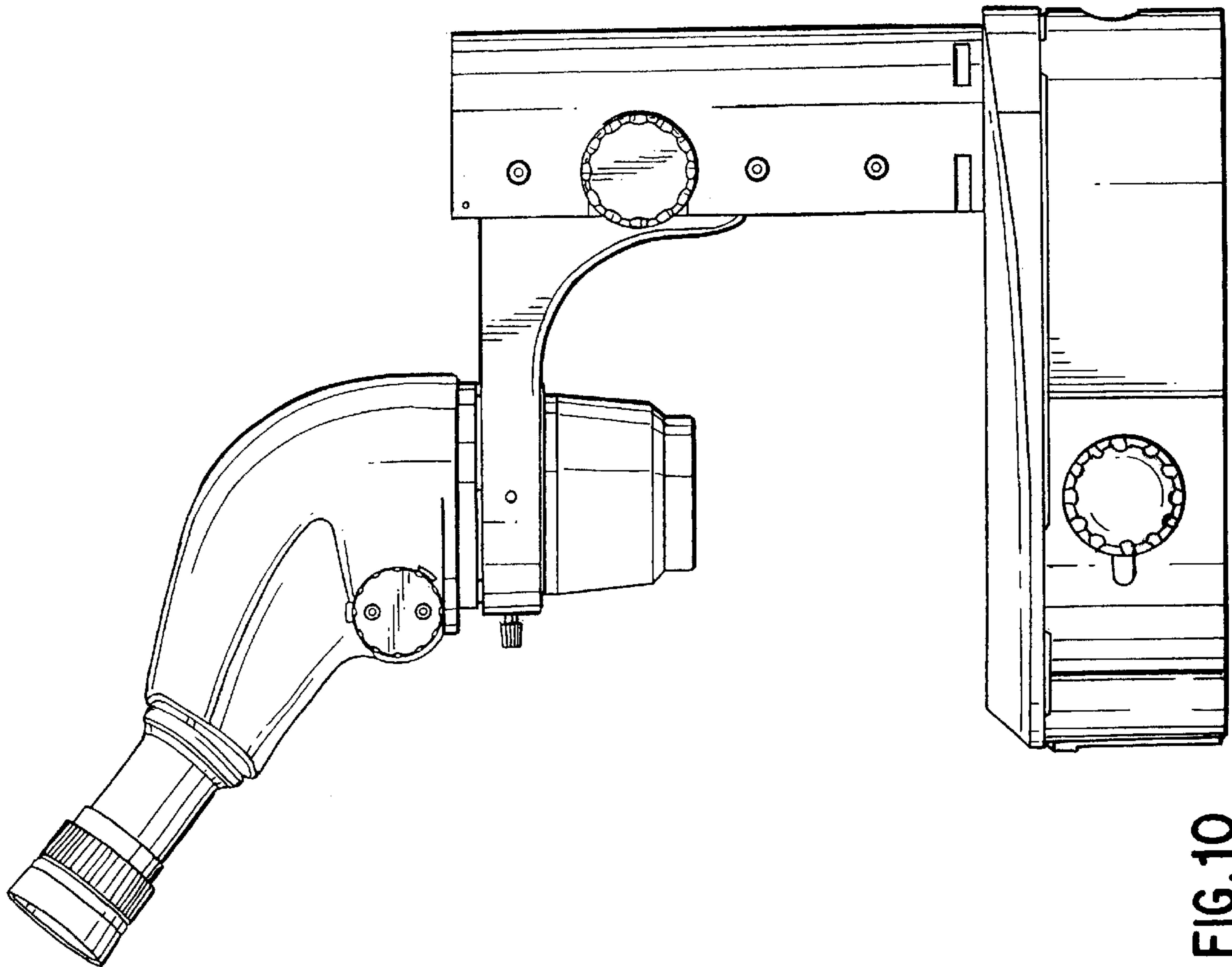


FIG. 10



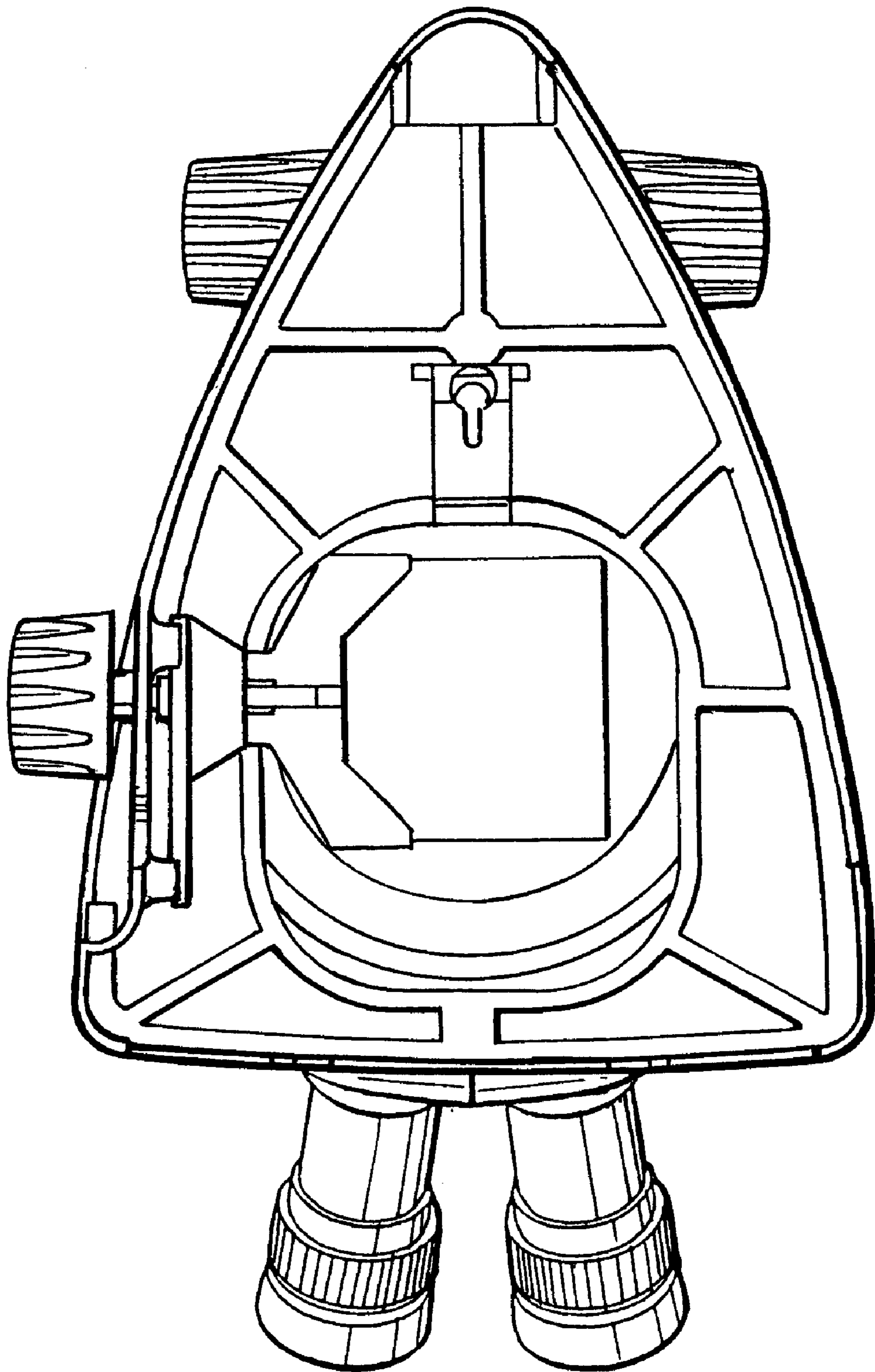


FIG. 12