



US00D459743S

(12) **United States Design Patent**  
**Crozier**

(10) **Patent No.:** **US D459,743 S**

(45) **Date of Patent:** **\*\* Jul. 2, 2002**

(54) **GREASE CADDY**

*Primary Examiner*—Antoine Duval Davis

(76) Inventor: **Bentley Wm. Crozier**, P.O. Box 201,  
Biggar (CA), S0K 0M0

(57) **CLAIM**

(\*\*) Term: **14 Years**

The ornamental design for a grease caddy, as shown and described.

(21) Appl. No.: **29/140,557**

**DESCRIPTION**

(22) Filed: **Apr. 23, 2001**

FIG. 1 is a front elevational view of a grease caddy showing my new design;

(51) **LOC (7) Cl.** ..... **15-09**

FIG. 2 is a top plan view thereof;

(52) **U.S. Cl.** ..... **D15/150**

FIG. 3 is a right side elevational view thereof;

(58) **Field of Search** ..... D15/150; 392/441,  
392/497, 501, 456; 219/520, 523, 530

FIG. 4 is a rear elevational view thereof; and,

FIG. 5 is a bottom plan view thereof.

(56) **References Cited**

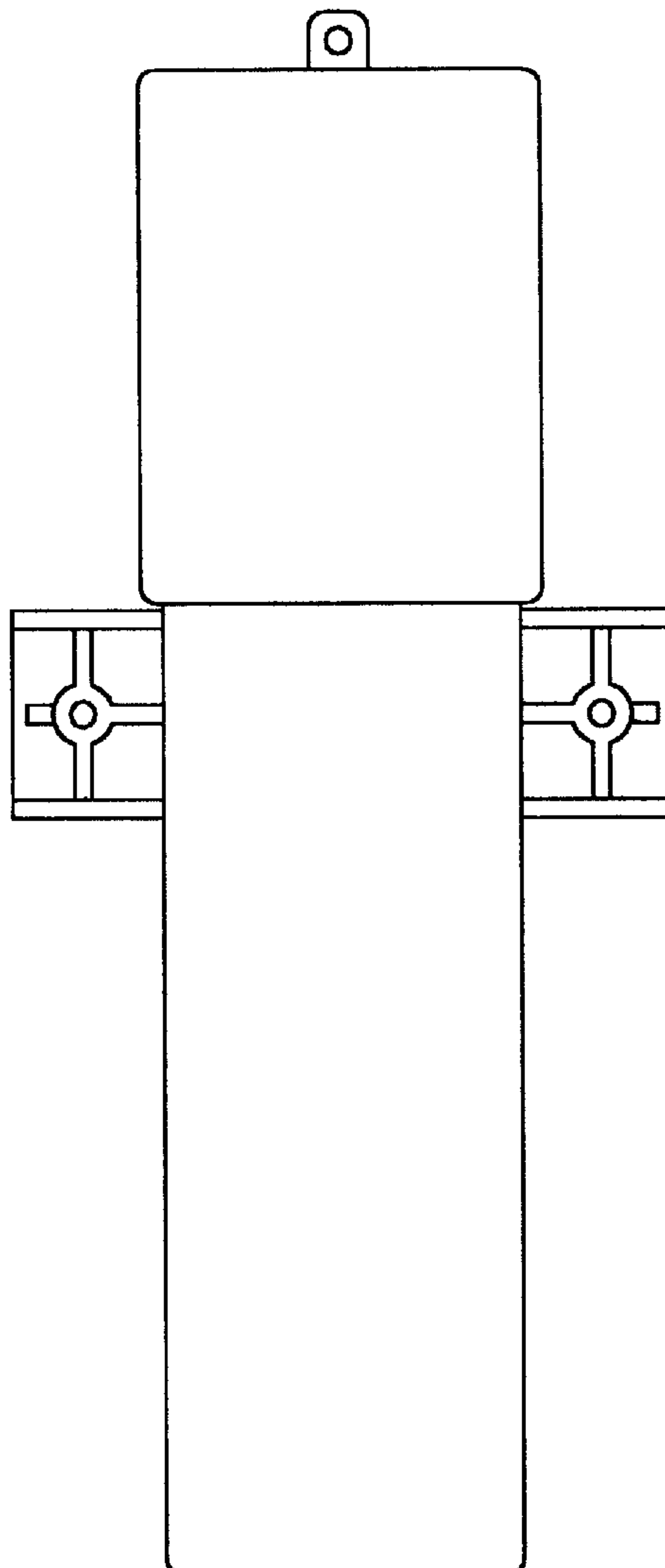
The left side elevational view, which is not illustrated, is a mirror image of the right side elevational view.

**U.S. PATENT DOCUMENTS**

6,157,776 A \* 12/2000 Onken ..... 392/441

\* cited by examiner

**1 Claim, 1 Drawing Sheet**



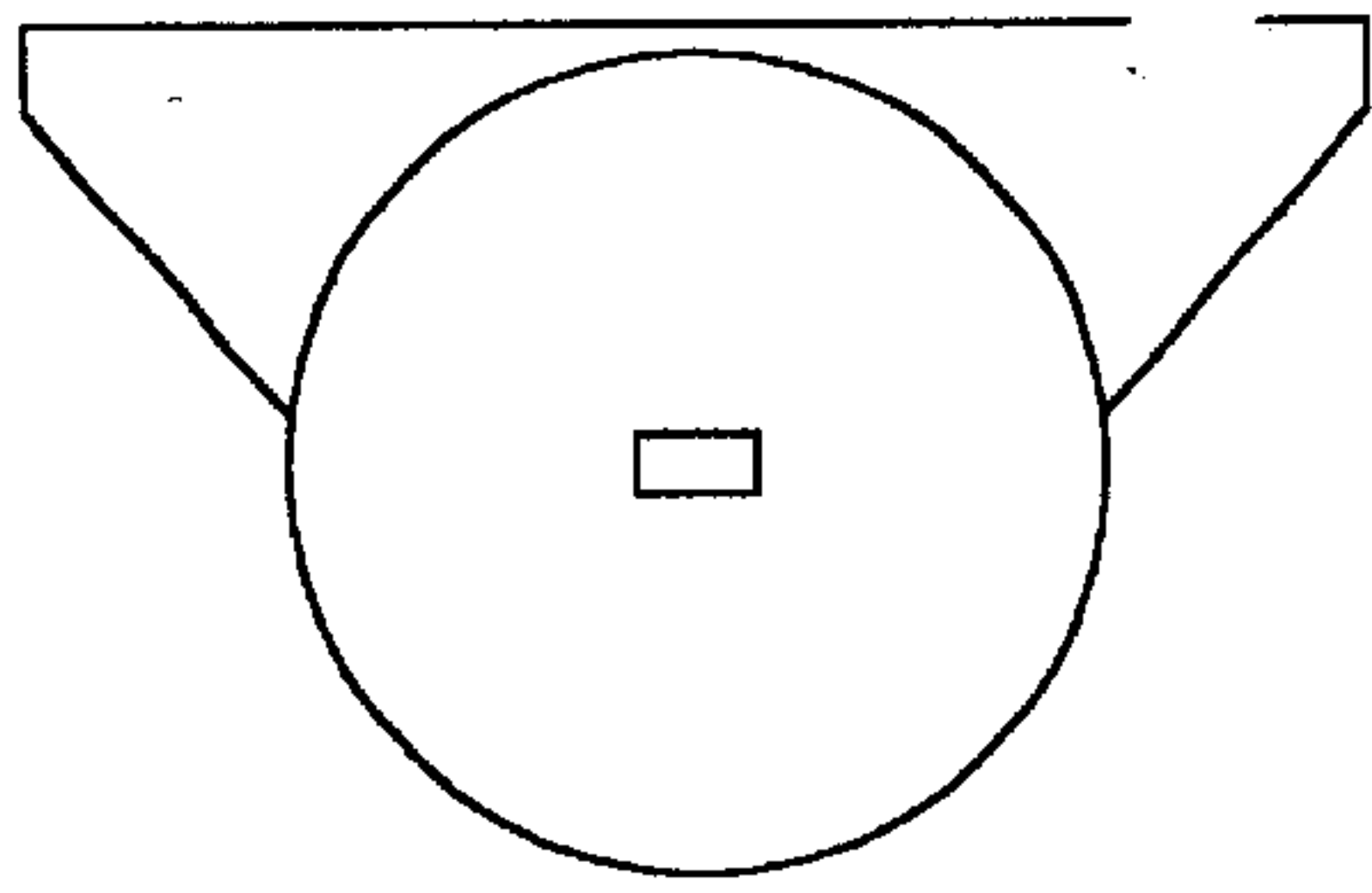


FIG 2

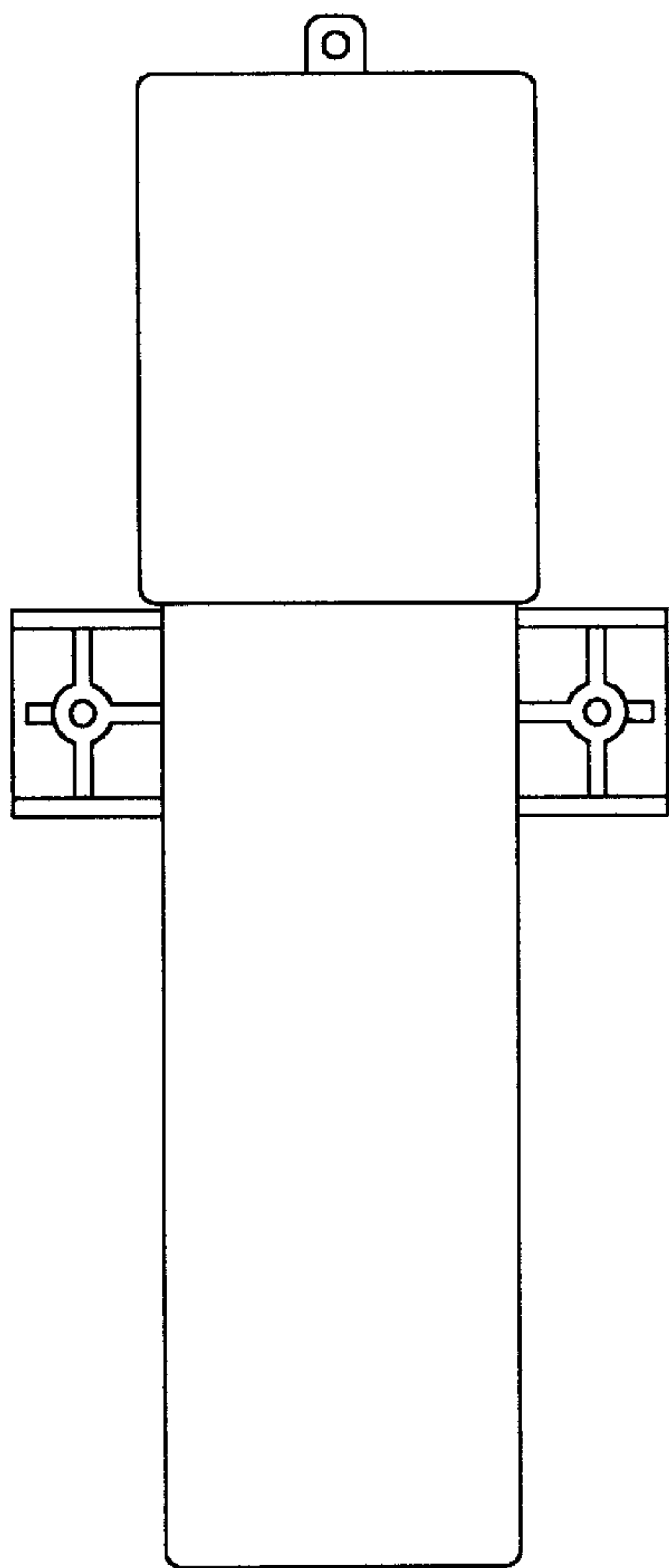


FIG 1

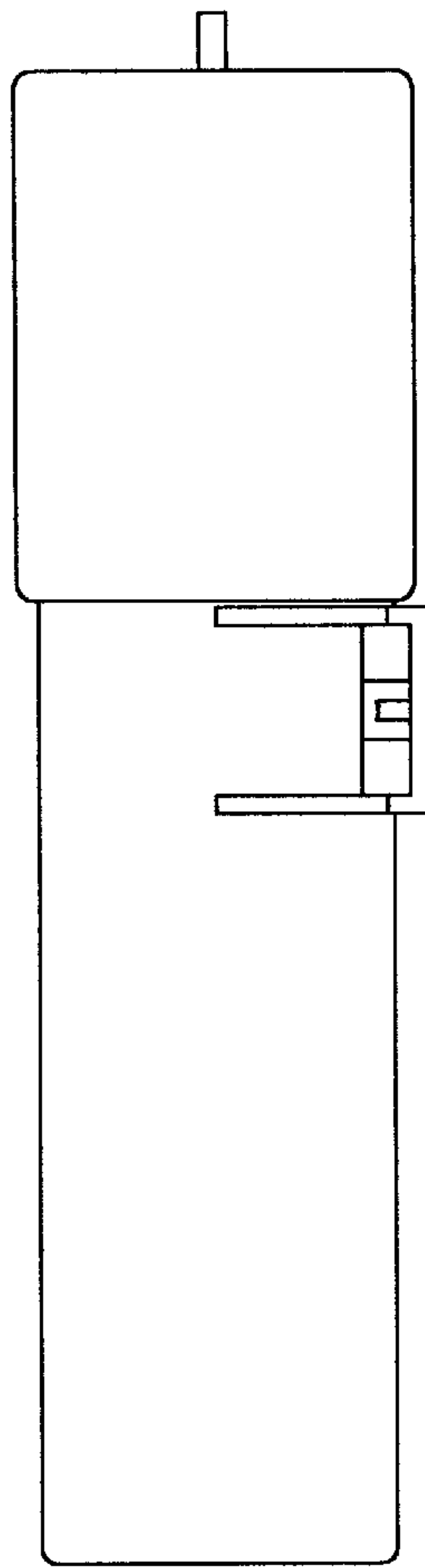


FIG 3

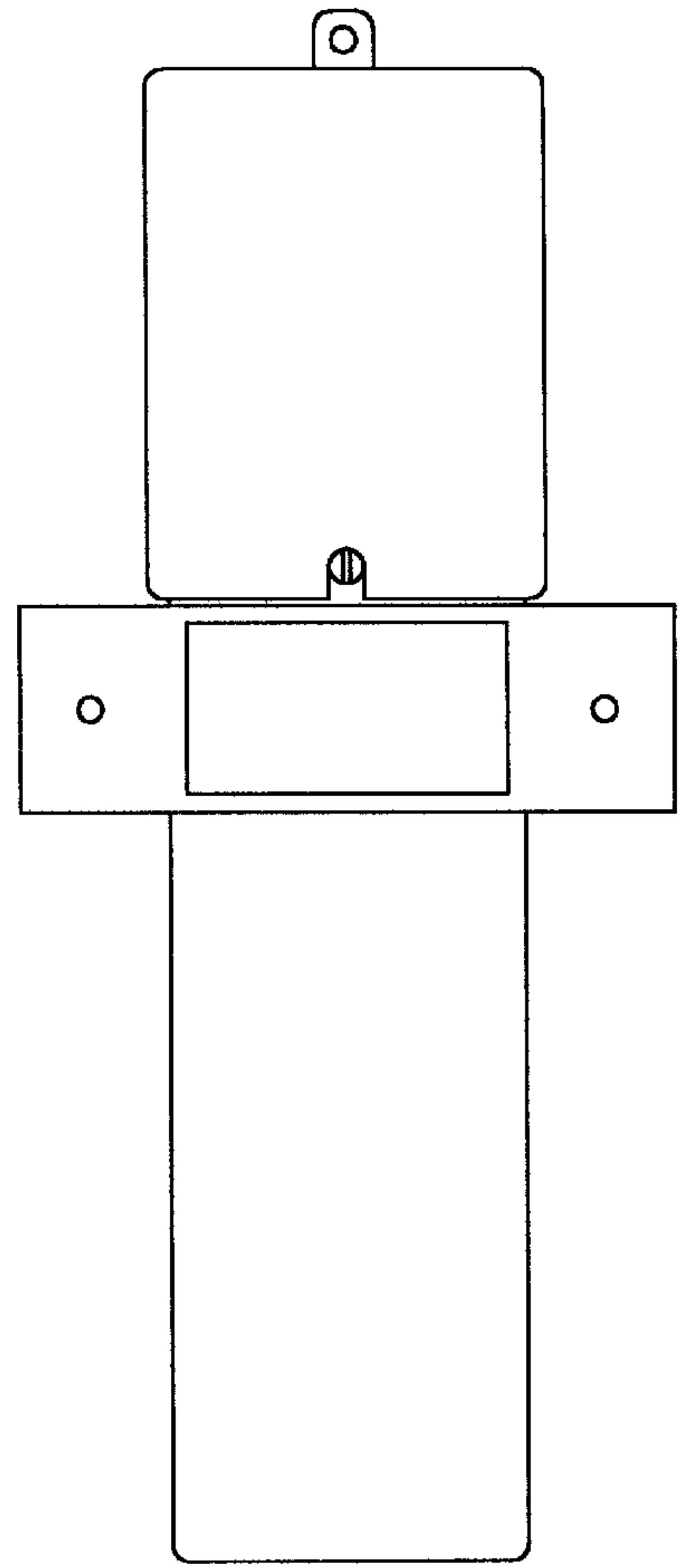


FIG 4

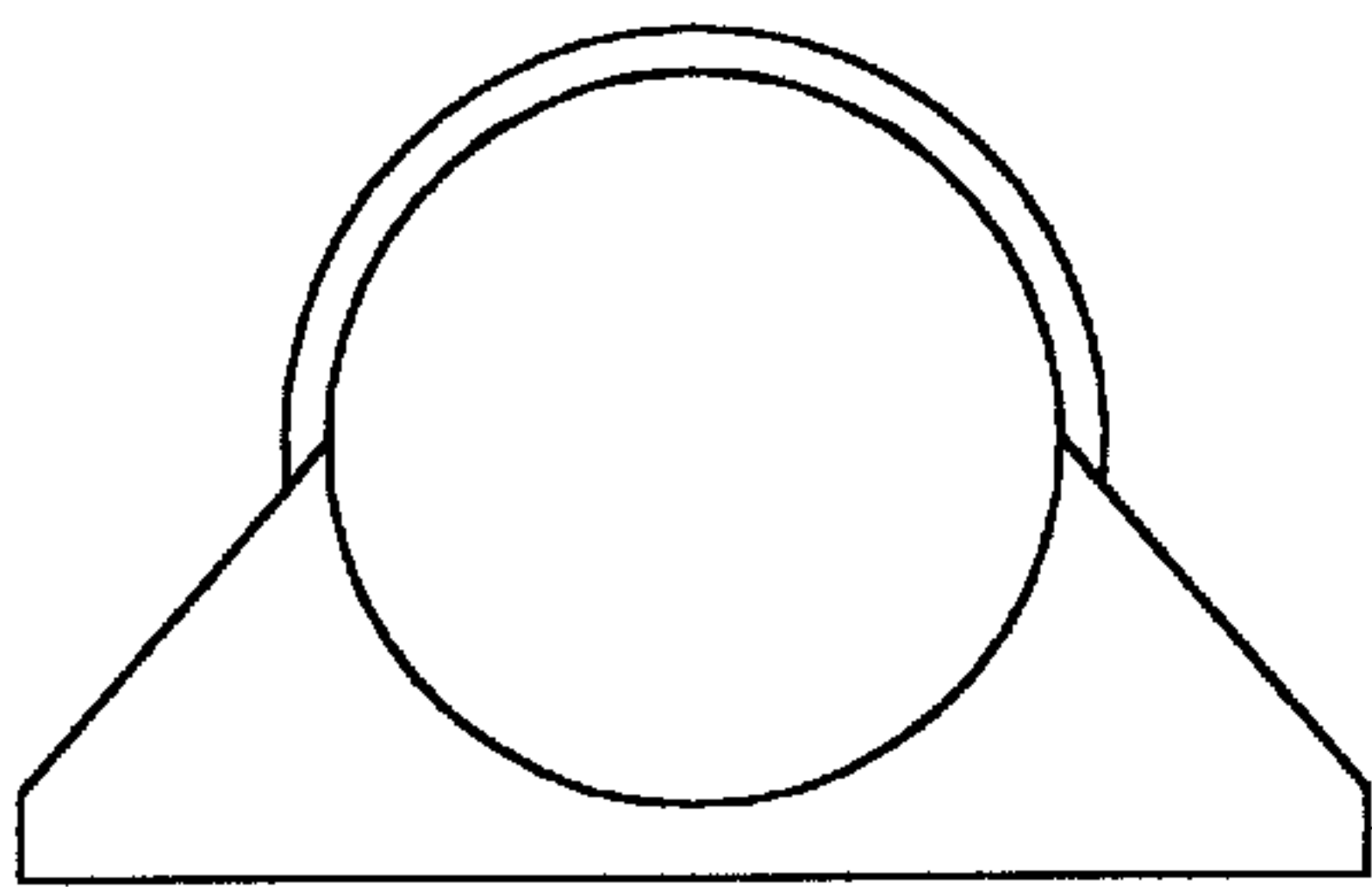


FIG 5