



US00D459742S

(12) **United States Design Patent**  
**Abrahamsen et al.**

(10) **Patent No.:** **US D459,742 S**

(45) **Date of Patent:** **\*\* Jul. 2, 2002**

(54) **ROTARY ACTUATOR**

6,322,341 B1 \* 11/2001 Haas ..... 418/249

(75) Inventors: **John Abrahamsen; Finn Jacobsen,**  
both of Nordborg (DK)

\* cited by examiner

(73) Assignee: **Linak A/S,** Nordborg (DK)

*Primary Examiner*—Antoine Duval Davis

(\*\*) Term: **14 Years**

(74) *Attorney, Agent, or Firm*—Dykema Gossett PLLC

(21) Appl. No.: **29/142,015**

(22) Filed: **May 18, 2001**

(57) **CLAIM**

The ornamental design for a rotary actuator, as shown and described.

(30) **Foreign Application Priority Data**

**DESCRIPTION**

Nov. 20, 2000 (DK) ..... MA 2000 01244

FIG. 1 is a top plan view of a rotary actuator showing our new and ornamental design;

(51) **LOC (7) Cl.** ..... **15-09**

FIG. 2 is an elevational front view;

(52) **U.S. Cl.** ..... **D15/143**

FIG. 3 is an elevational left side view;

(58) **Field of Search** ..... D15/143; 60/527-529;  
92/31-33, 136; 310/40 R, 46, 152-156,  
261, 268; 335/272, 273; 418/249-251

FIG. 4 is an elevational right side view;

FIG. 5 is an elevational rear view;

FIG. 6 is a bottom plan view;

(56) **References Cited**

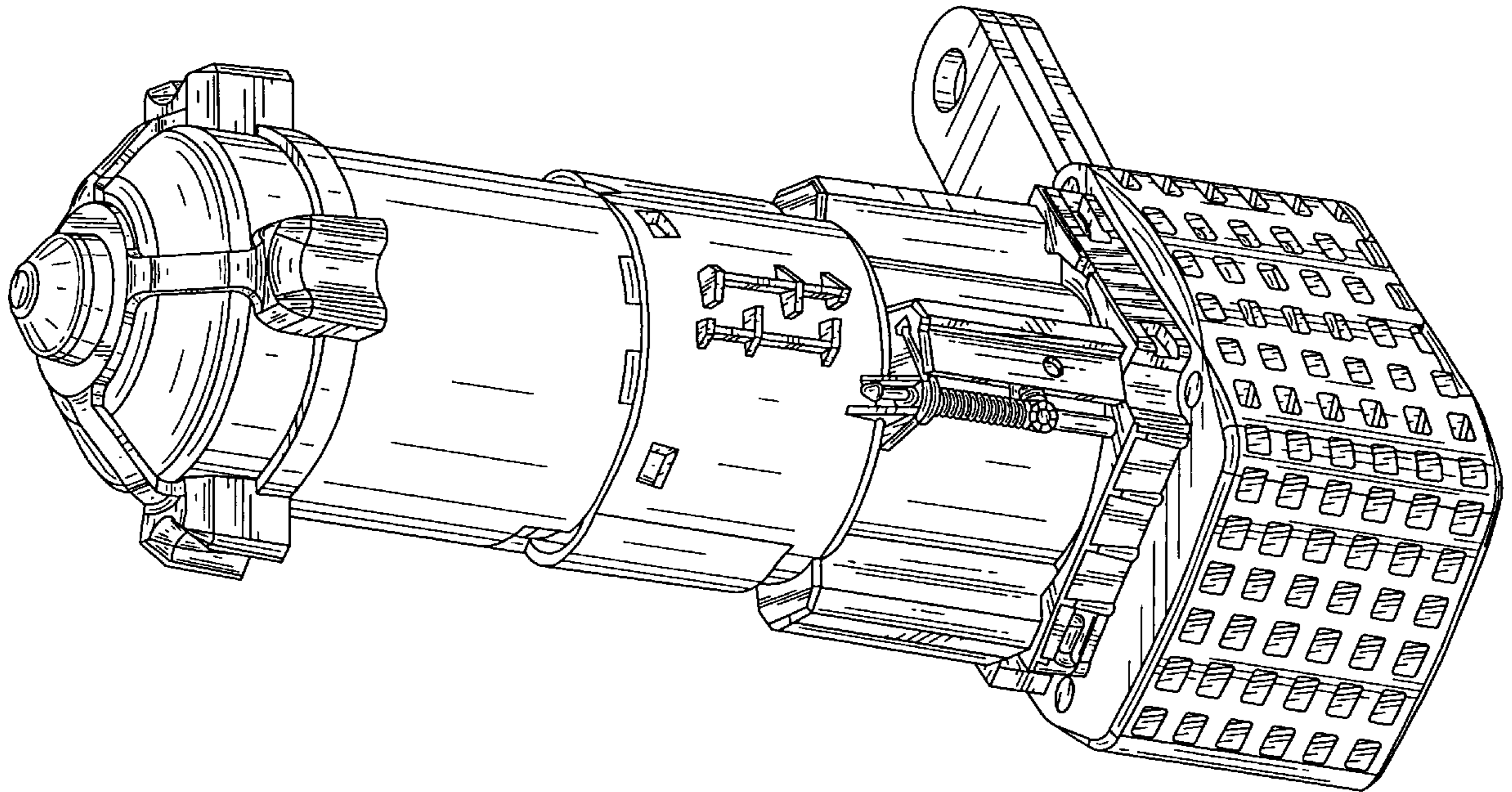
FIG. 7 is a perspective left side view; and,

FIG. 8 is a perspective right side view.

**U.S. PATENT DOCUMENTS**

5,127,228 A \* 7/1992 Swenson ..... 60/527

**1 Claim, 7 Drawing Sheets**



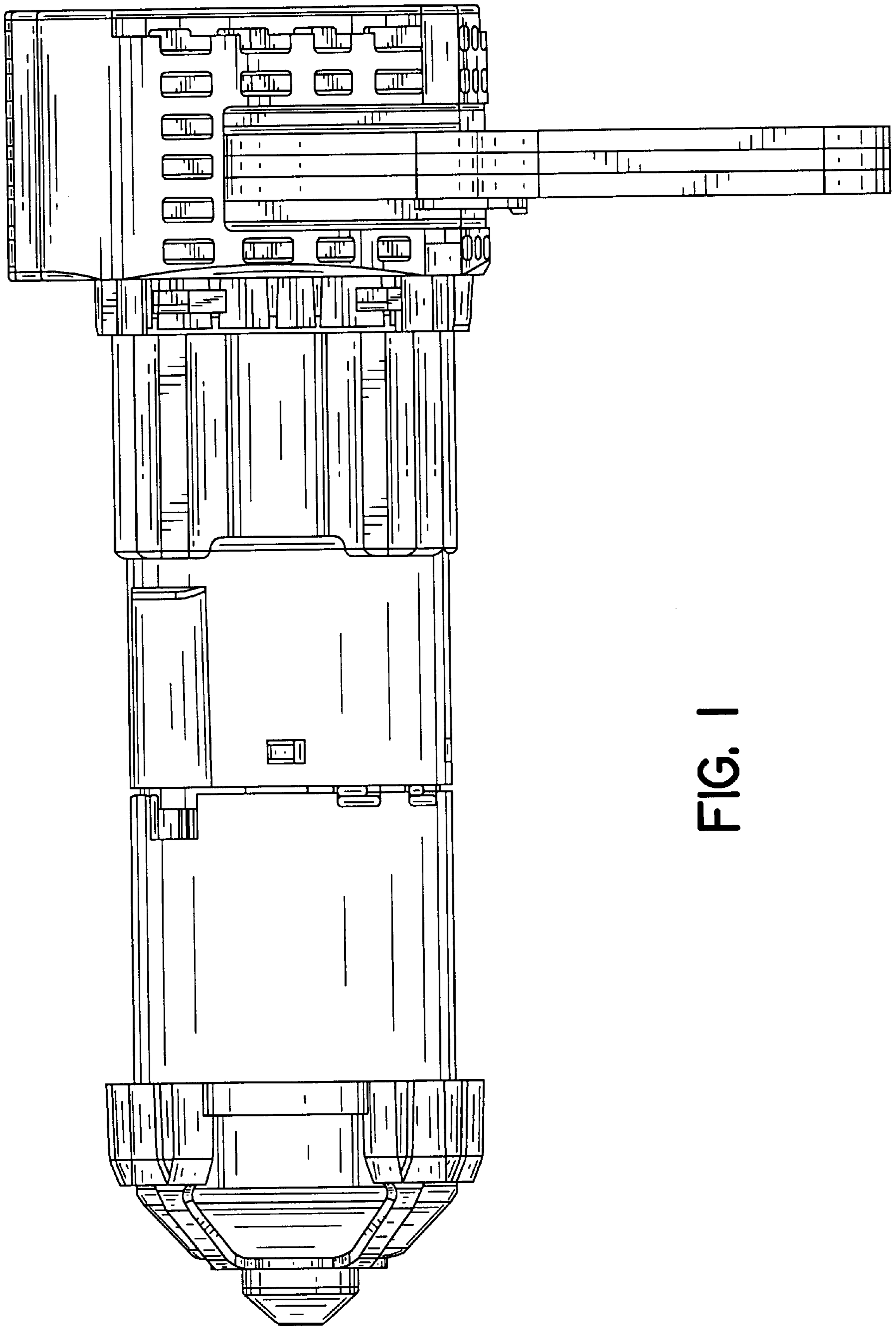


FIG. 1

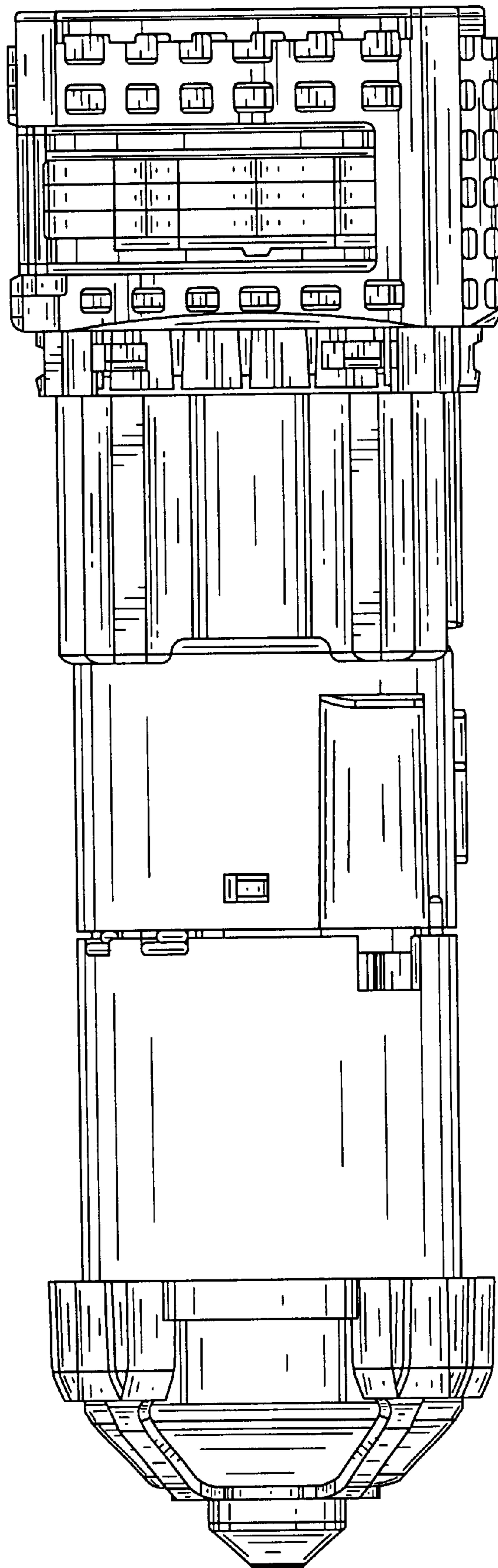


FIG. 2

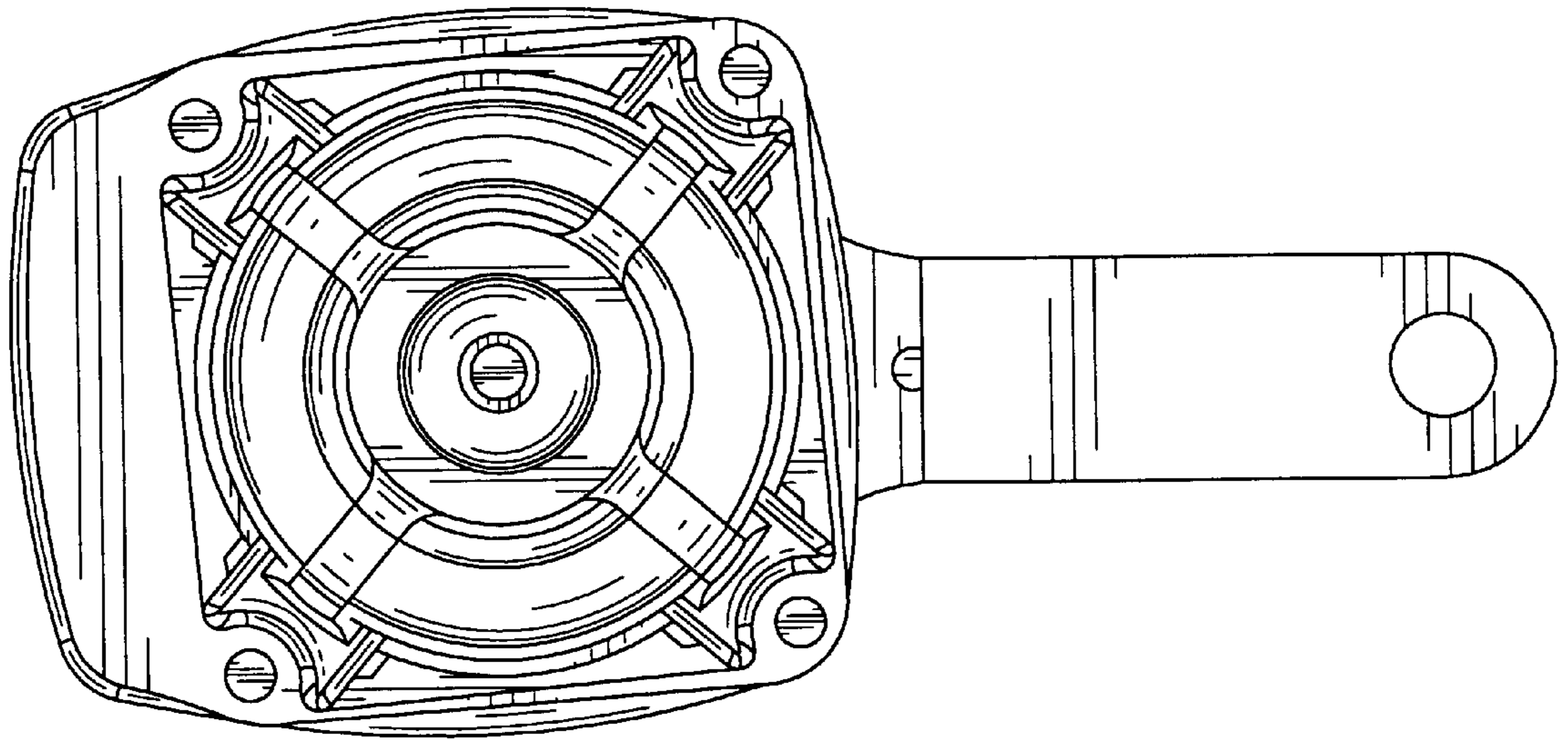


FIG. 3

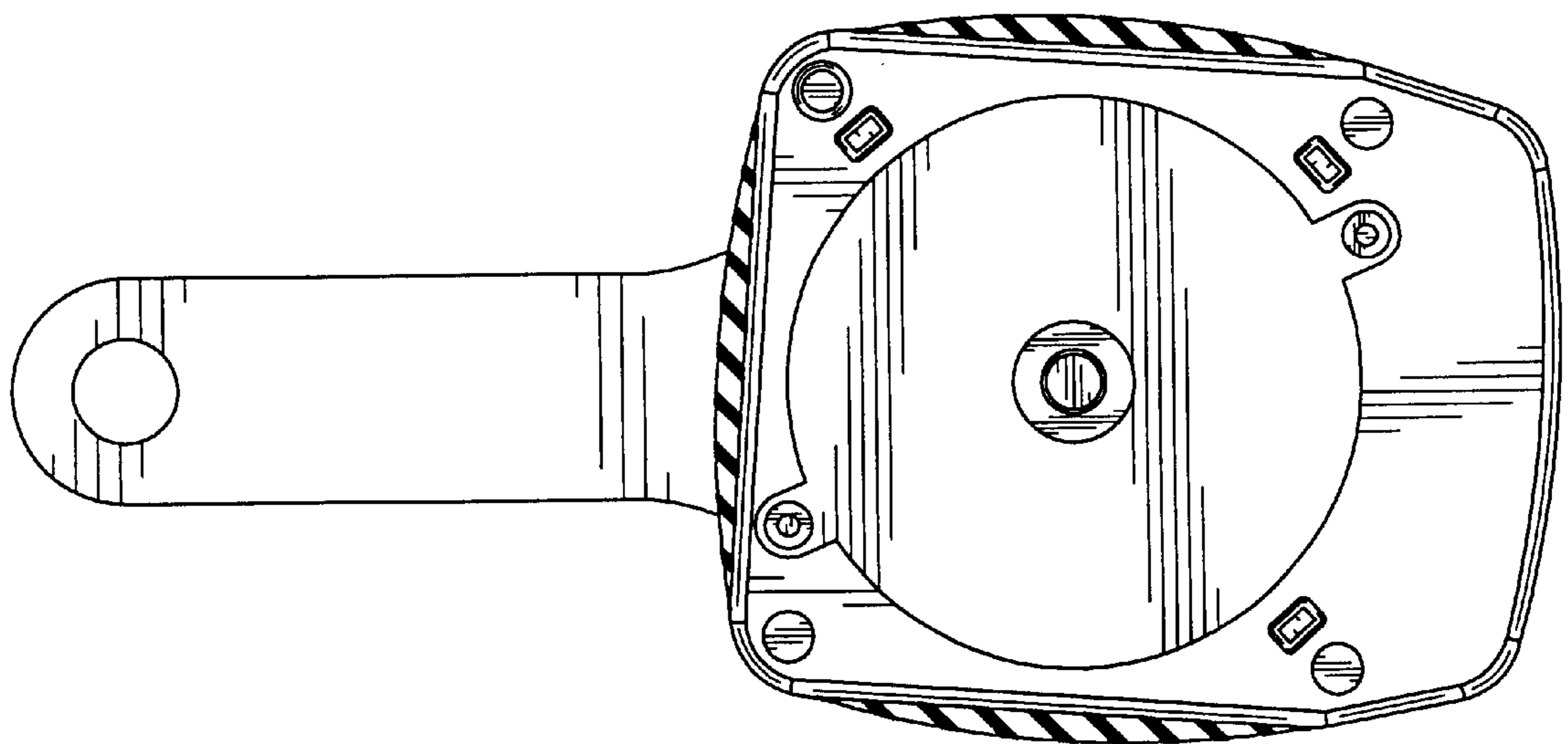


FIG. 4

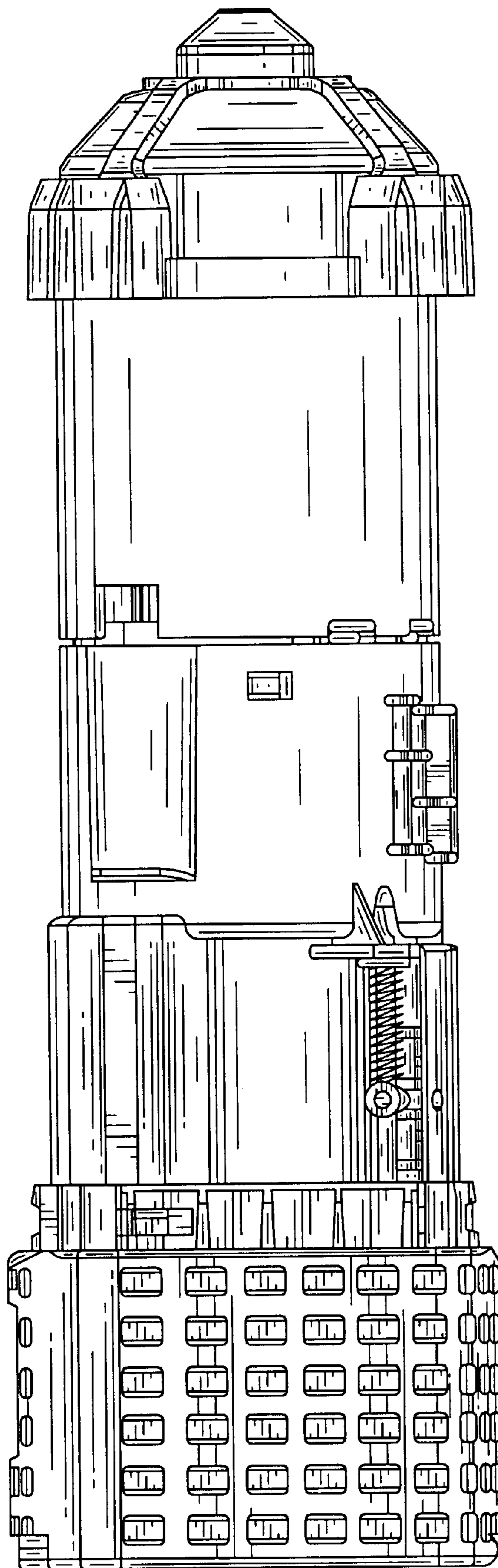


FIG. 5

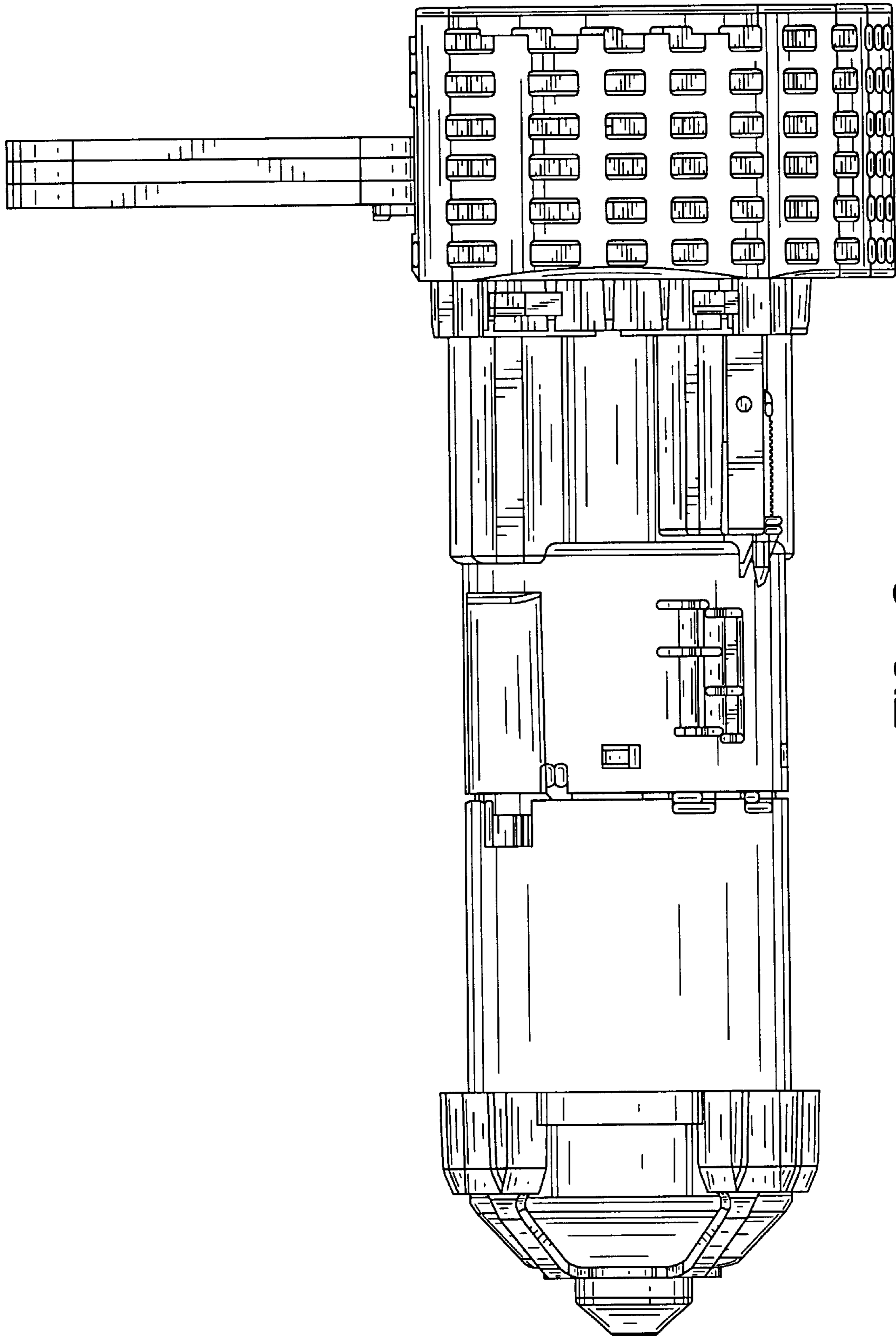


FIG. 6

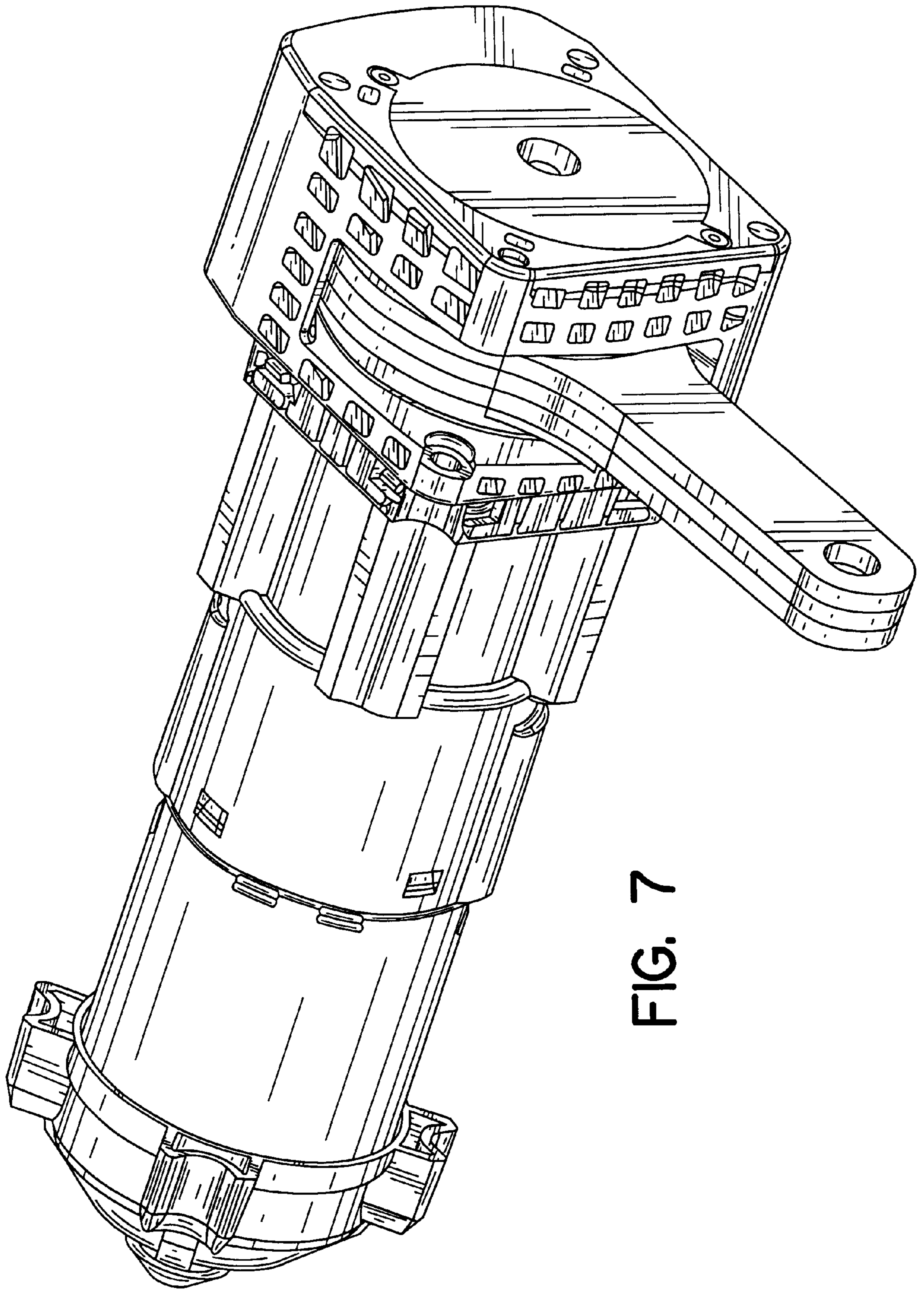


FIG. 7

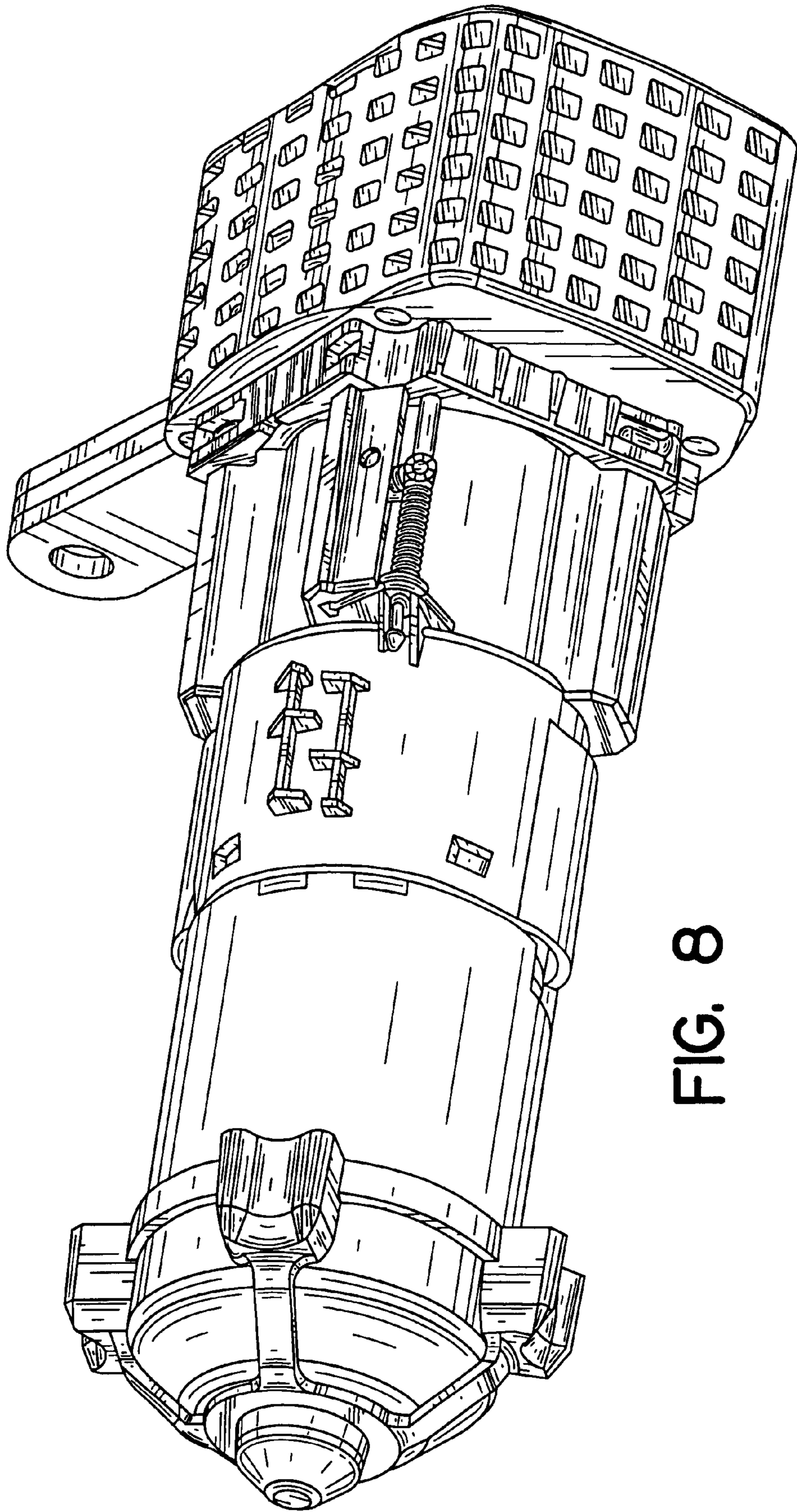


FIG. 8