



US00D459741S

(12) **United States Design Patent**
Erickson

(10) **Patent No.:** **US D459,741 S**

(45) **Date of Patent:** **** Jul. 2, 2002**

- (54) **CUTTING BLADE**
- (75) Inventor: **Robert A. Erickson**, Raleigh, NC (US)
- (73) Assignee: **Kennametal Inc.**, Latrobe, PA (US)
- (**) Term: **14 Years**
- (21) Appl. No.: **29/147,822**
- (22) Filed: **Sep. 6, 2001**
- (51) **LOC (7) Cl.** **15-09**
- (52) **U.S. Cl.** **D15/139**
- (58) **Field of Search** **D15/139; 407/107-119**

4,530,623 A	7/1985	Kotthaus	407/22
4,621,954 A	11/1986	Kitchen et al.	407/22
5,890,846 A	4/1999	Clark et al.	407/21

* cited by examiner

Primary Examiner—Antoine Duval Davis
(74) *Attorney, Agent, or Firm*—Larry R. Meenan

(57) **CLAIM**

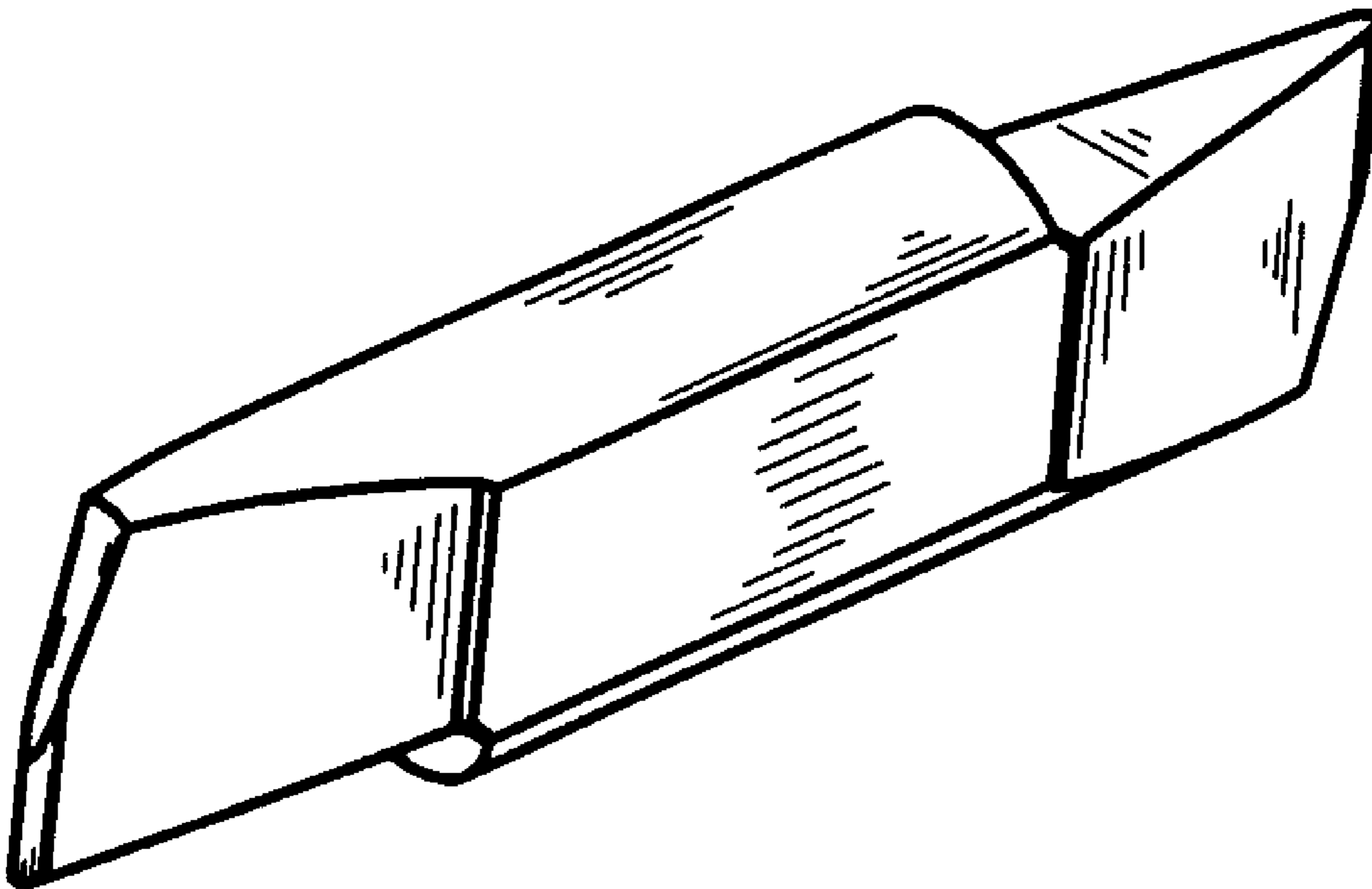
The ornamental design for a cutting blade, as shown and described.

DESCRIPTION

FIG. 1 is a top perspective view of a cutting blade showing my new design.
 FIG. 2 is a bottom perspective view thereof.
 FIG. 3 is a top plan view thereof.
 FIG. 4 is a side elevational view thereof.
 FIG. 5 is an end elevational view thereof.
 FIG. 6 is an end elevational view thereof; and,
 FIG. 7 is a bottom plan view thereof.

- (56) **References Cited**
- U.S. PATENT DOCUMENTS
- 2,186,417 A 1/1940 Kraus 29/105
- D137,170 S * 2/1944 Anderson D15/139
- 3,487,592 A 1/1970 Kotthaus 51/288
- 4,028,782 A * 6/1977 Stansak 407/113
- 4,268,194 A 5/1981 Bloink et al. 407/41
- 4,360,297 A * 11/1982 Weber 407/113

1 Claim, 1 Drawing Sheet



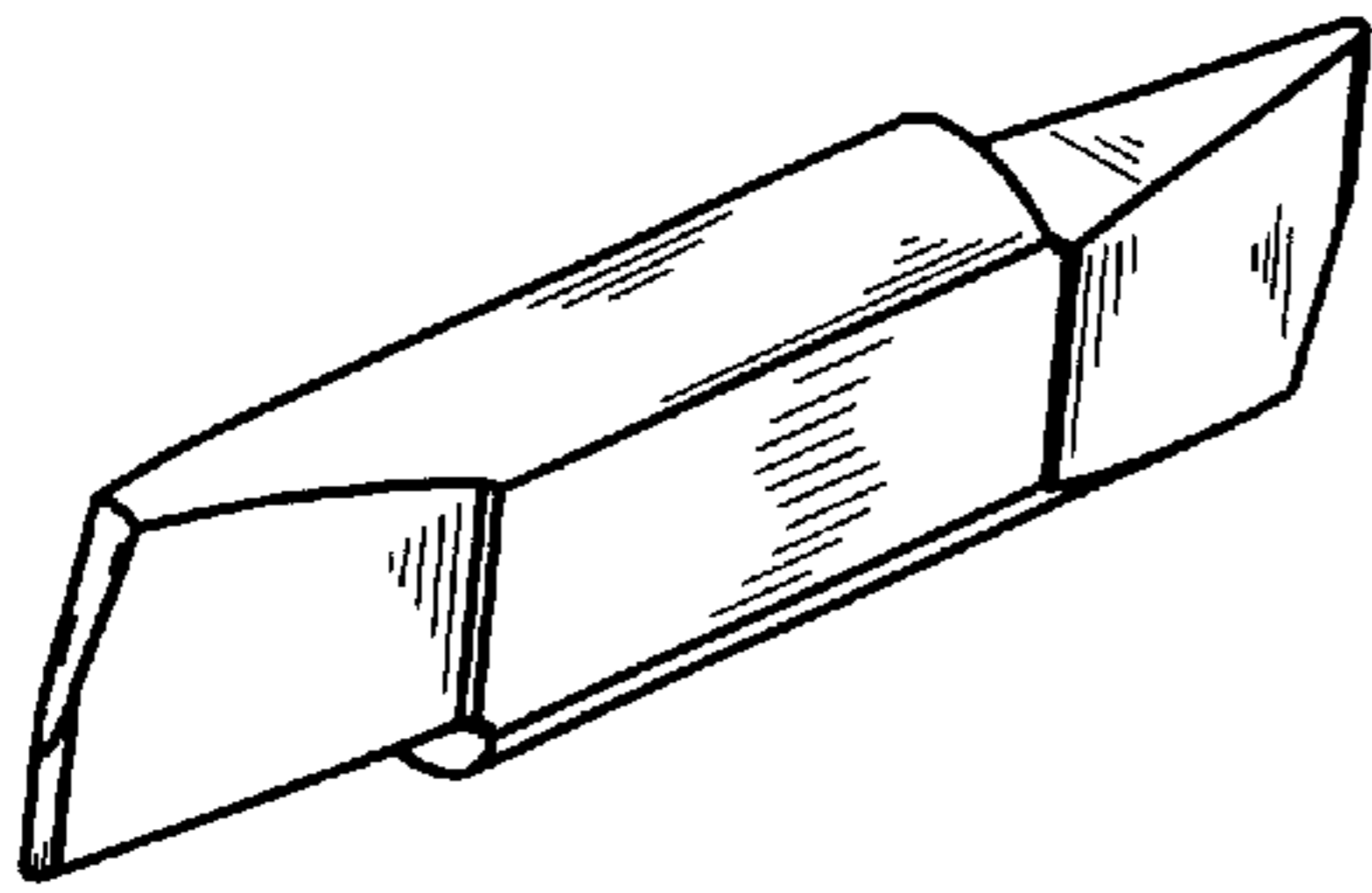


FIG. 1

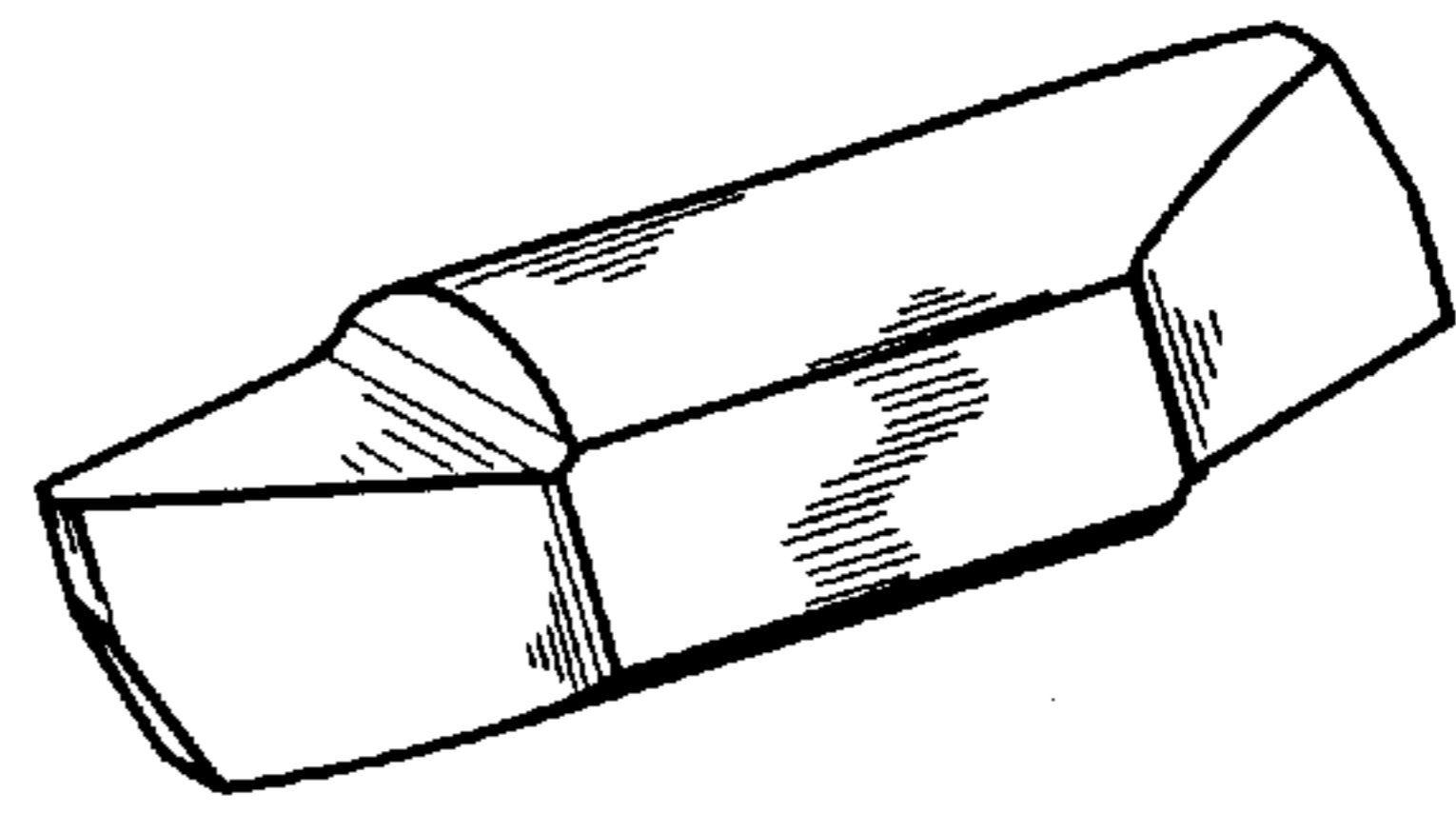


FIG. 2

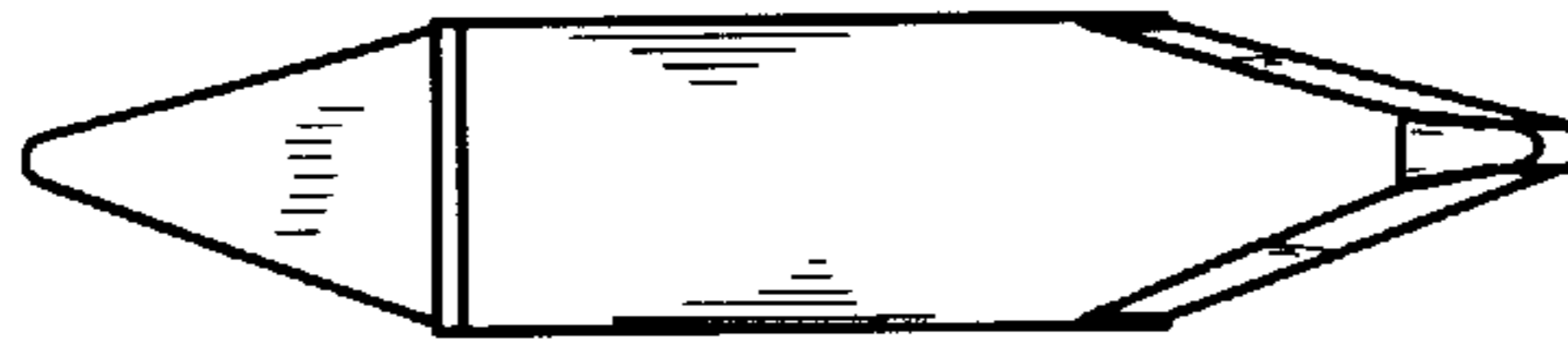


FIG. 3

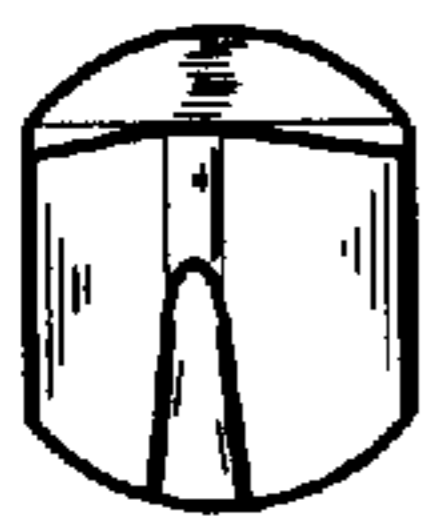


FIG. 5



FIG. 4



FIG. 6



FIG. 7