



US00D459739S

(12) **United States Design Patent**
Crossley

(10) **Patent No.:** **US D459,739 S**

(45) **Date of Patent:** **** Jul. 2, 2002**

(54) **ADAPTER**

(75) **Inventor:** **Jimmy L. Crossley**, Council Bluffs, IA (US)

(73) **Assignee:** **Commercial Refrigeration Co.**, Council Bluffs, IA (US)

(**) **Term:** **14 Years**

(21) **Appl. No.:** **29/122,806**

(22) **Filed:** **May 4, 2000**

(51) **LOC (7) Cl.** **15-07**

(52) **U.S. Cl.** **D15/89**

(58) **Field of Search** D15/79-89; 137/271, 137/595, 625.19; 285/81, 319, 320, 423

(56) **References Cited**

U.S. PATENT DOCUMENTS

- 6,206,028 B1 * 3/2001 Holden et al. 137/271
- 6,257,626 B1 * 7/2001 Campau 285/81

* cited by examiner

Primary Examiner—Mitchell Siegel
(74) *Attorney, Agent, or Firm*—Mark Frederiksen

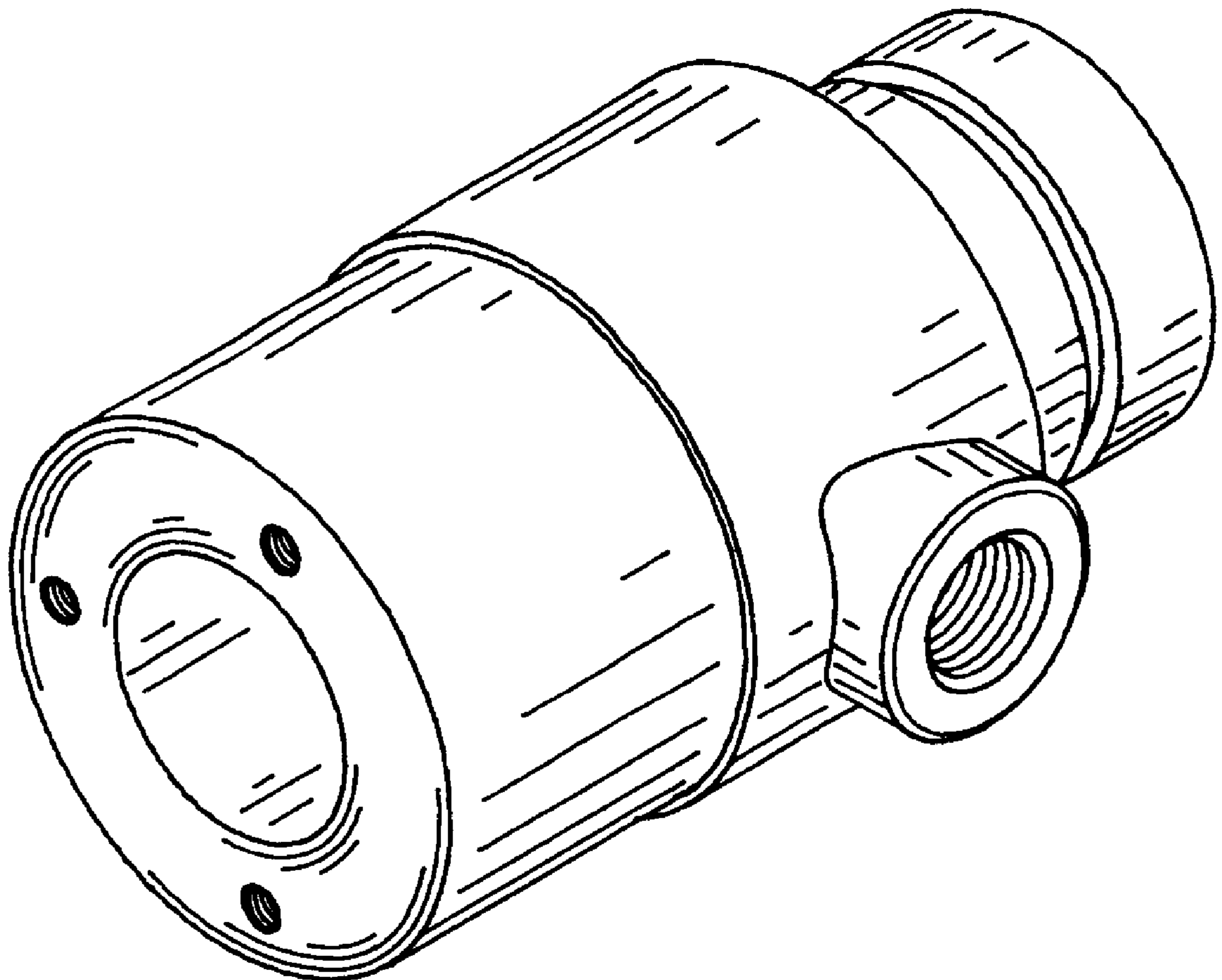
(57) **CLAIM**

The ornamental design for an adapter, as shown.

DESCRIPTION

FIG. 1 is a perspective view of the adapter showing my new design;
 FIG. 2 is an end elevational view taken from the left end of FIG. 1;
 FIG. 3 is a front elevational view thereof;
 FIG. 4 is an elevational view taken from the right side of FIG. 3, the left elevational view being a mirror image thereof;
 FIG. 5 is a rear elevational view thereof; and,
 FIG. 6 is an end elevational view taken from the right end of FIG. 1.

1 Claim, 1 Drawing Sheet



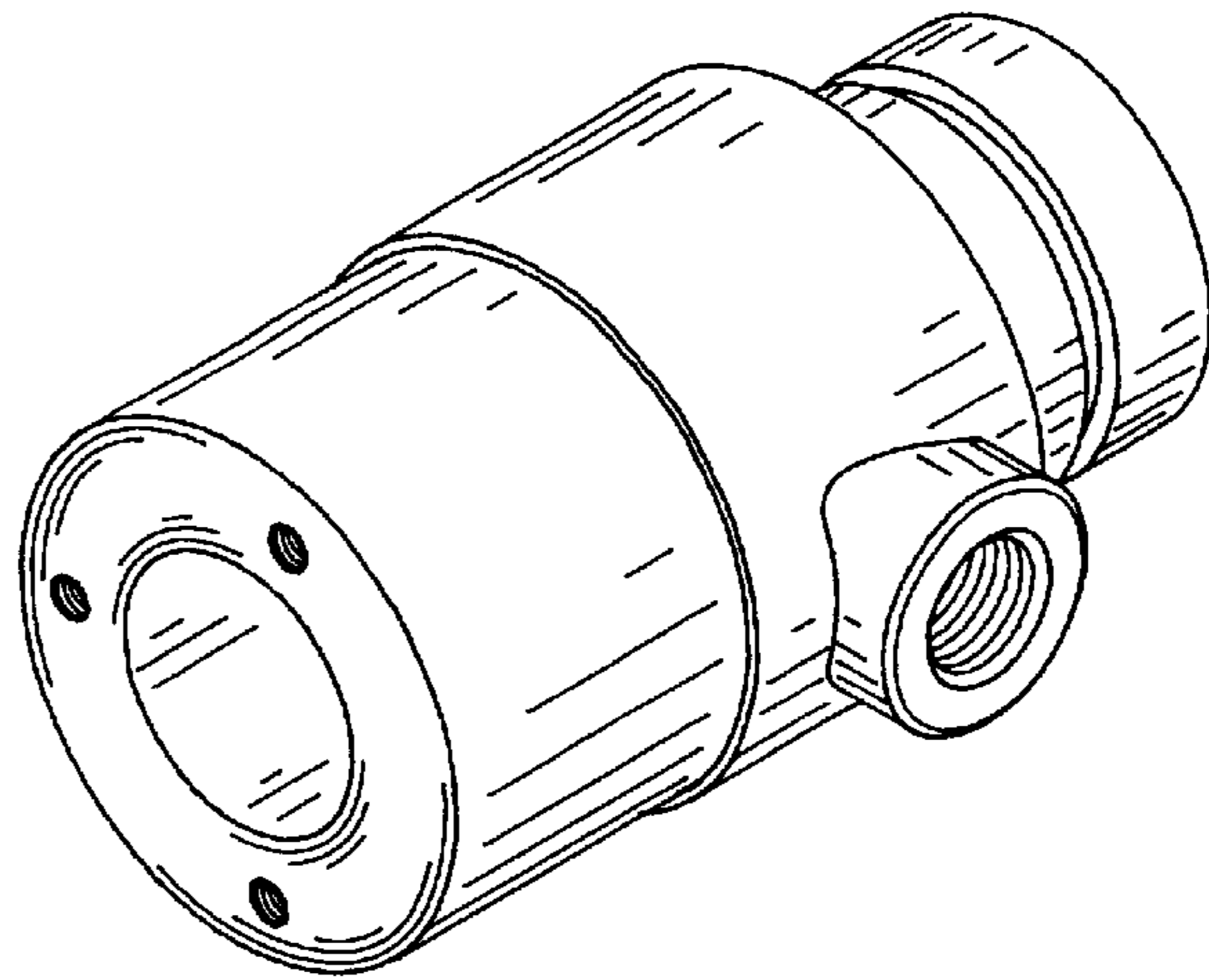


FIG. 1

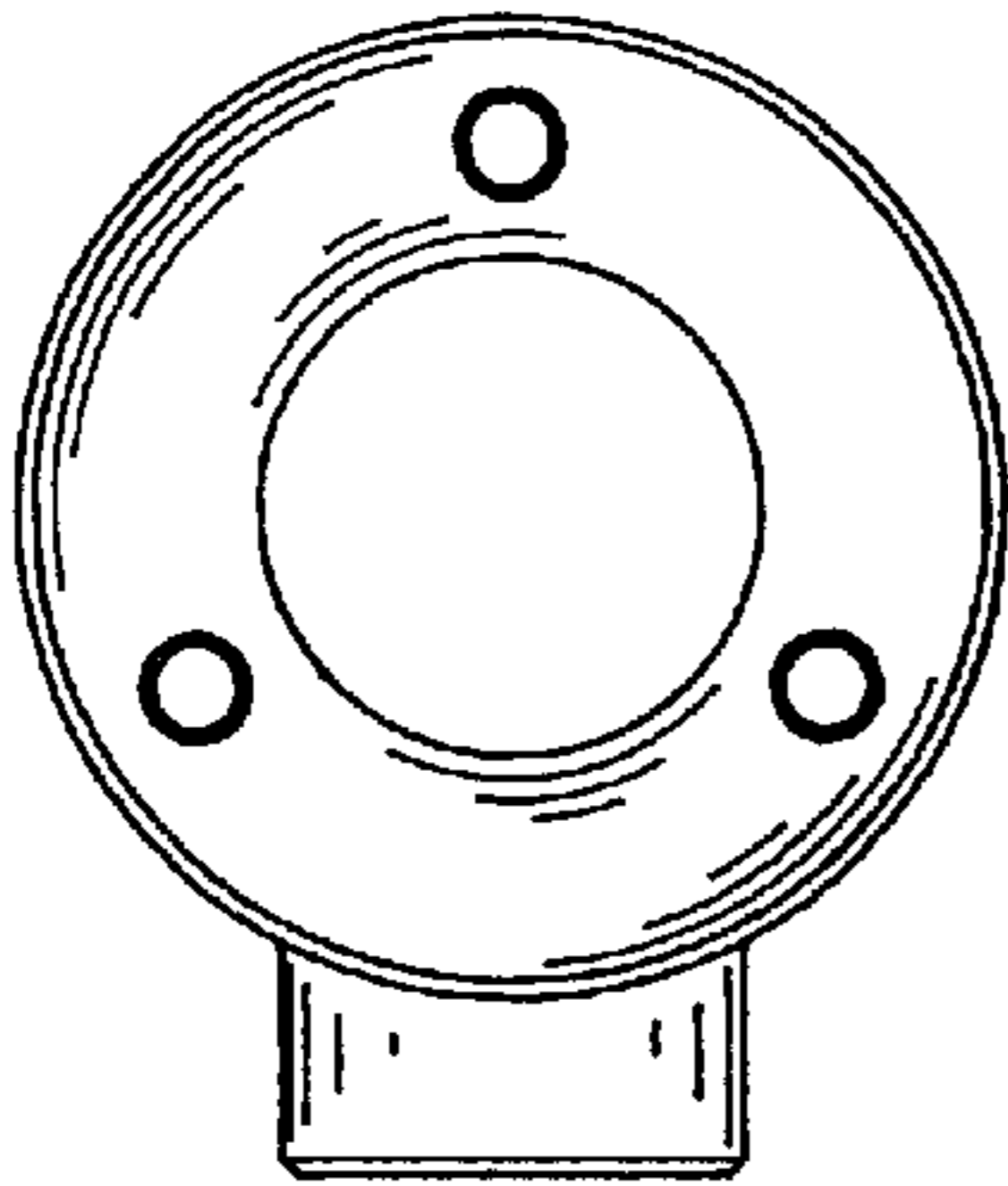


FIG. 2

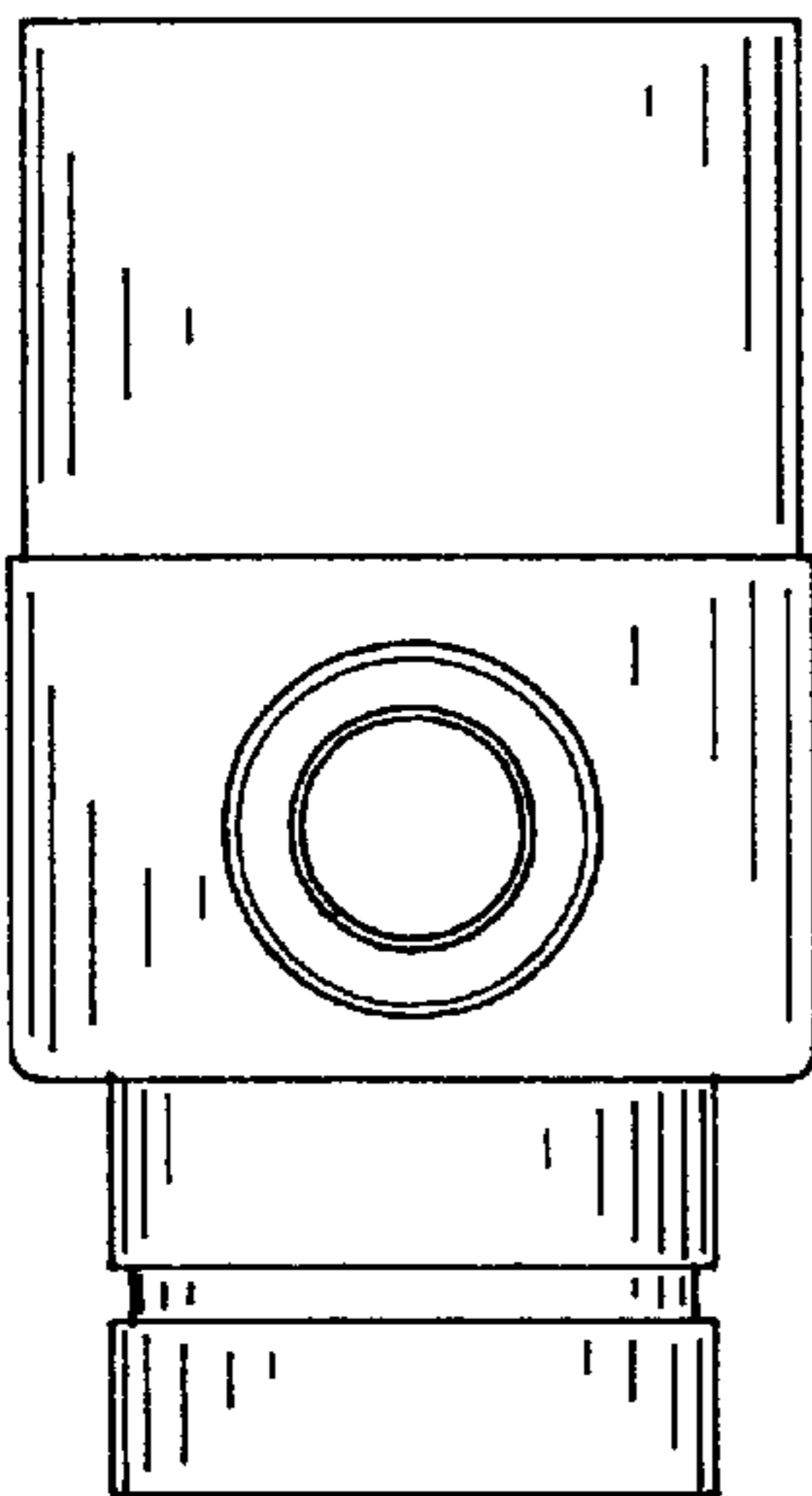


FIG. 3

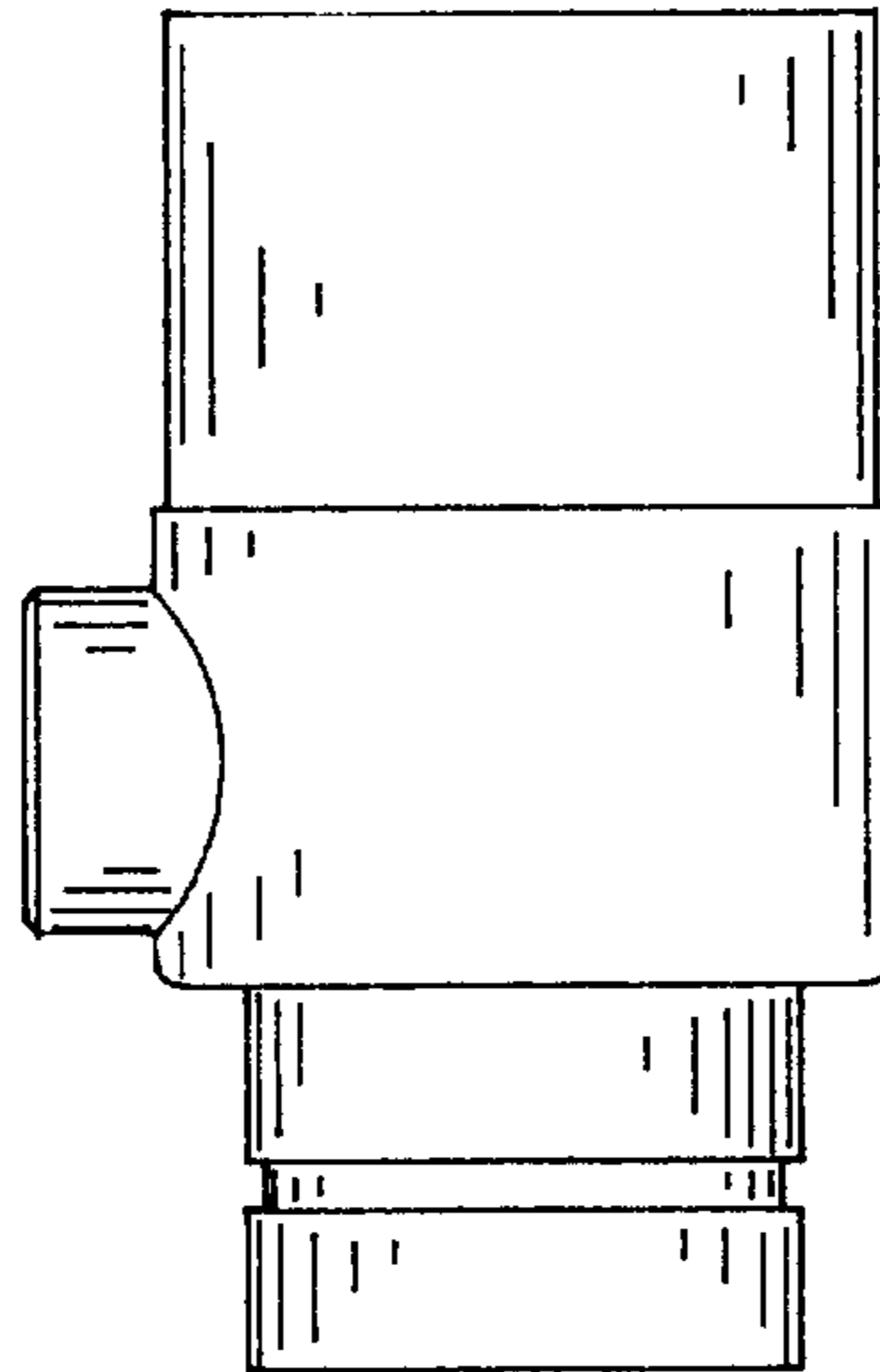


FIG. 4

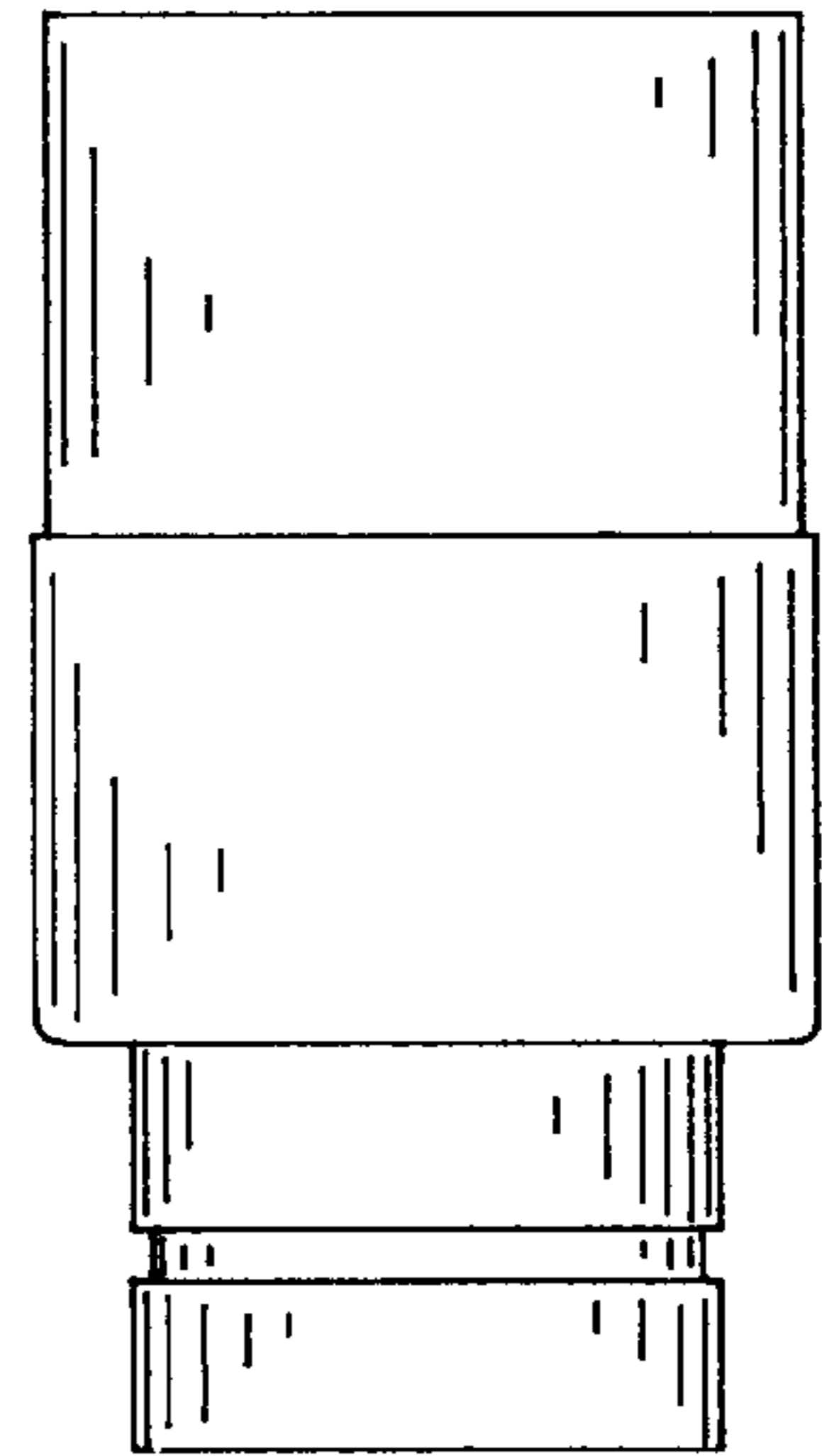


FIG. 5

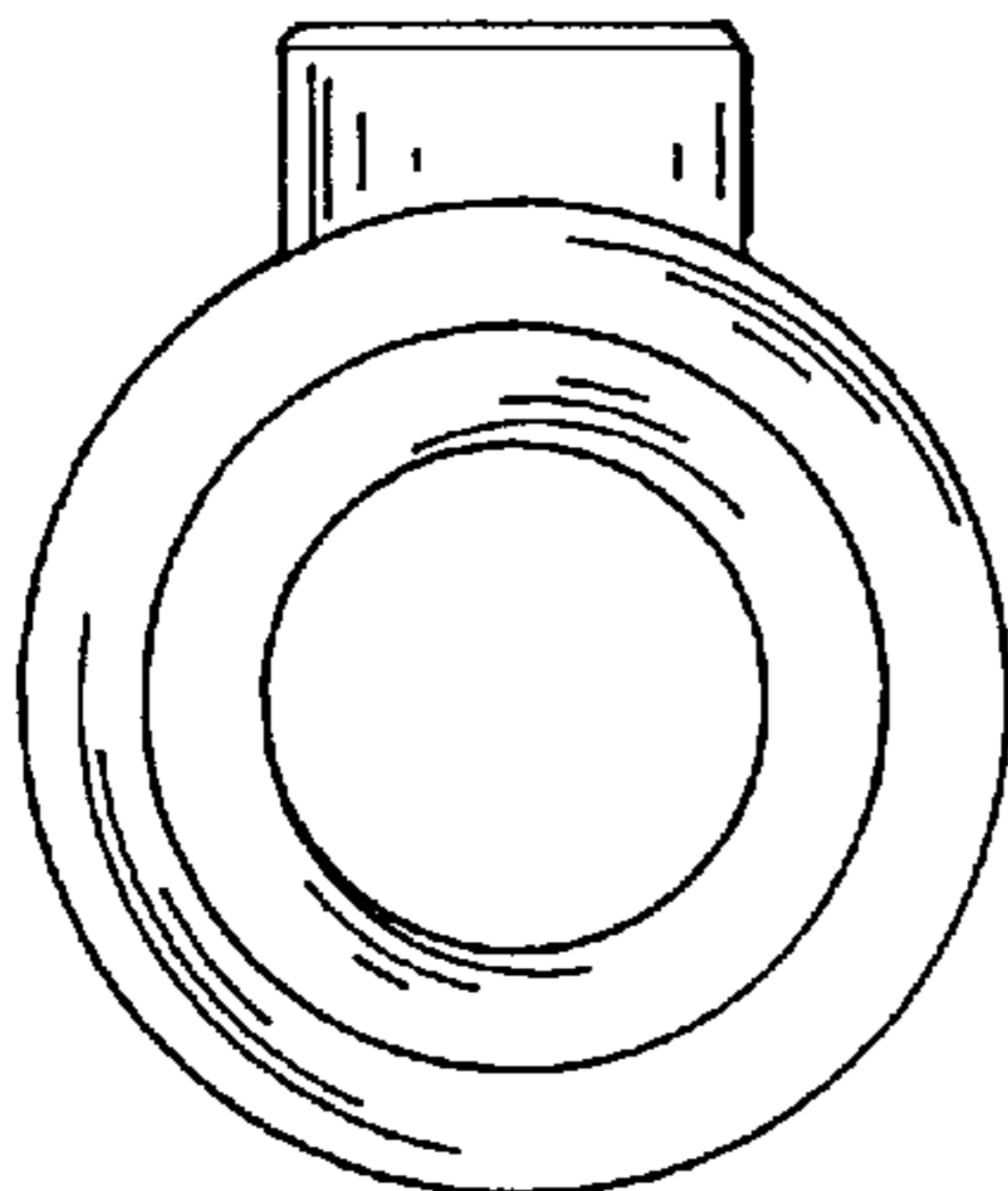


FIG. 6