



US00D459738S

(12) **United States Design Patent**  
**Menz**

(10) **Patent No.:** **US D459,738 S**

(45) **Date of Patent:** **\*\* Jul. 2, 2002**

(54) **REFRIGERATION UNIT**

D438,400 S \* 3/2001 Acheson ..... D15/85

(75) Inventor: **Albert Menz**, New York, NY (US)

\* cited by examiner

(73) Assignee: **Display Technologies, LLC**, College Point, NY (US)

*Primary Examiner*—Mitchell Siegel

(74) *Attorney, Agent, or Firm*—Amster, Rothstein & Ebenstein

(\*\*) Term: **14 Years**

(57) **CLAIM**

(21) Appl. No.: **29/147,476**

The ornamental design for a refrigeration unit, as shown and described.

(22) Filed: **Aug. 29, 2001**

**Related U.S. Application Data**

**DESCRIPTION**

(63) Continuation-in-part of application No. 29/127,277, filed on Aug. 2, 2000, now Pat. No. Des. 450,726.

FIG. 1 is an isometric view, from the top, front and one side, of a refrigeration unit showing my new design, in a position of use with one door of the unit being shown open and the other door being shown closed;

(51) **LOC (7) Cl.** ..... **15-07**

(52) **U.S. Cl.** ..... **D15/81**

FIG. 2 is a side elevational view thereof, with both doors closed;

(58) **Field of Search** ..... D15/79, 81, 83, D15/85; D6/449, 451, 454, 481; 312/401, 236, 237, 277, 285, 290; 62/258, 331

FIG. 3 is a front elevational view thereof;

FIG. 4 is a rear elevational view thereof;

FIG. 5 is a top plan view thereof; and,

FIG. 6 is a bottom plan view thereof.

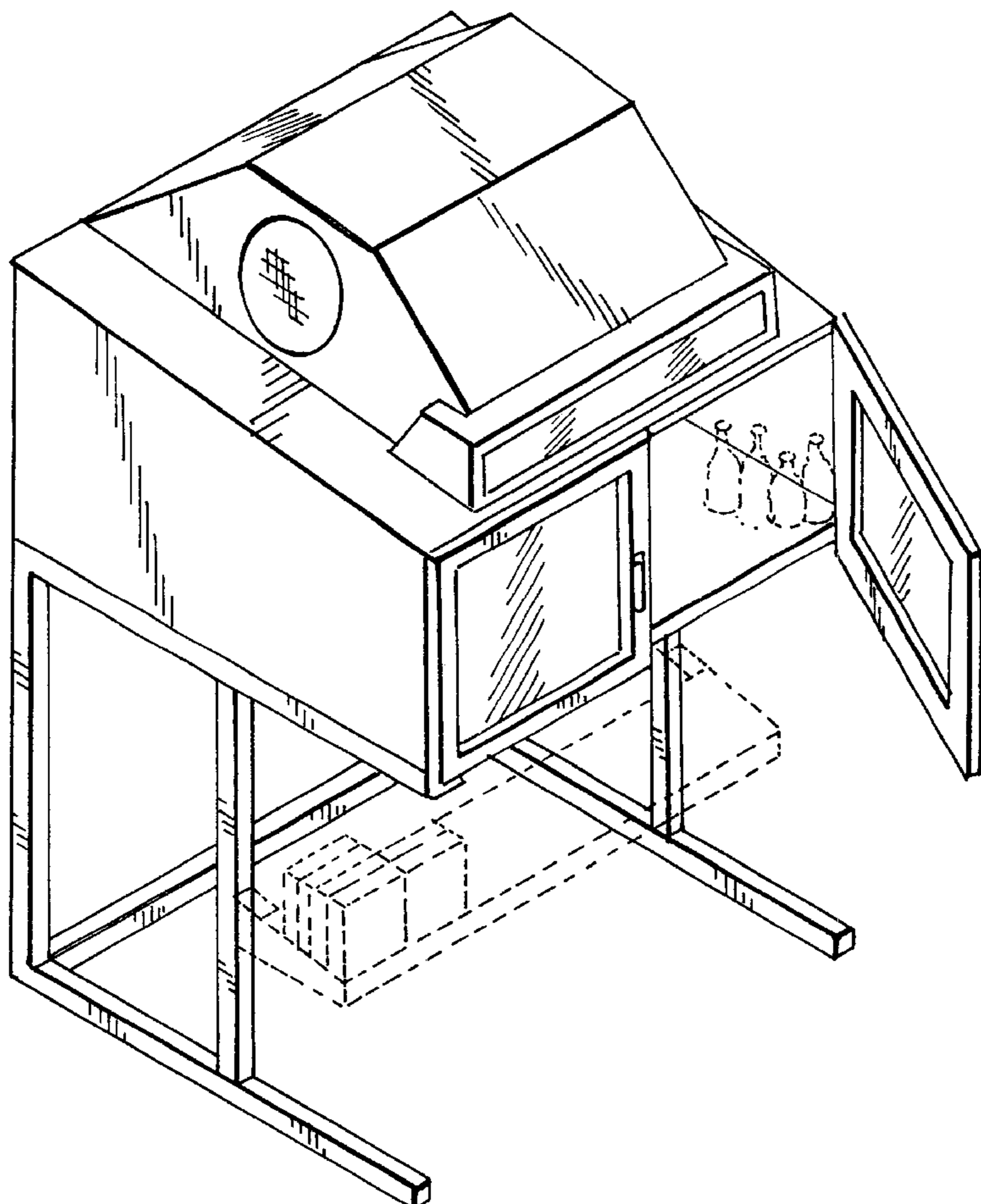
(56) **References Cited**

The dashed line depictions of FIG. 1 form no part of the claimed design and indicate only an environment of use.

**U.S. PATENT DOCUMENTS**

1,718,407 A \* 6/1929 Buergermeister ..... 312/236

**1 Claim, 5 Drawing Sheets**



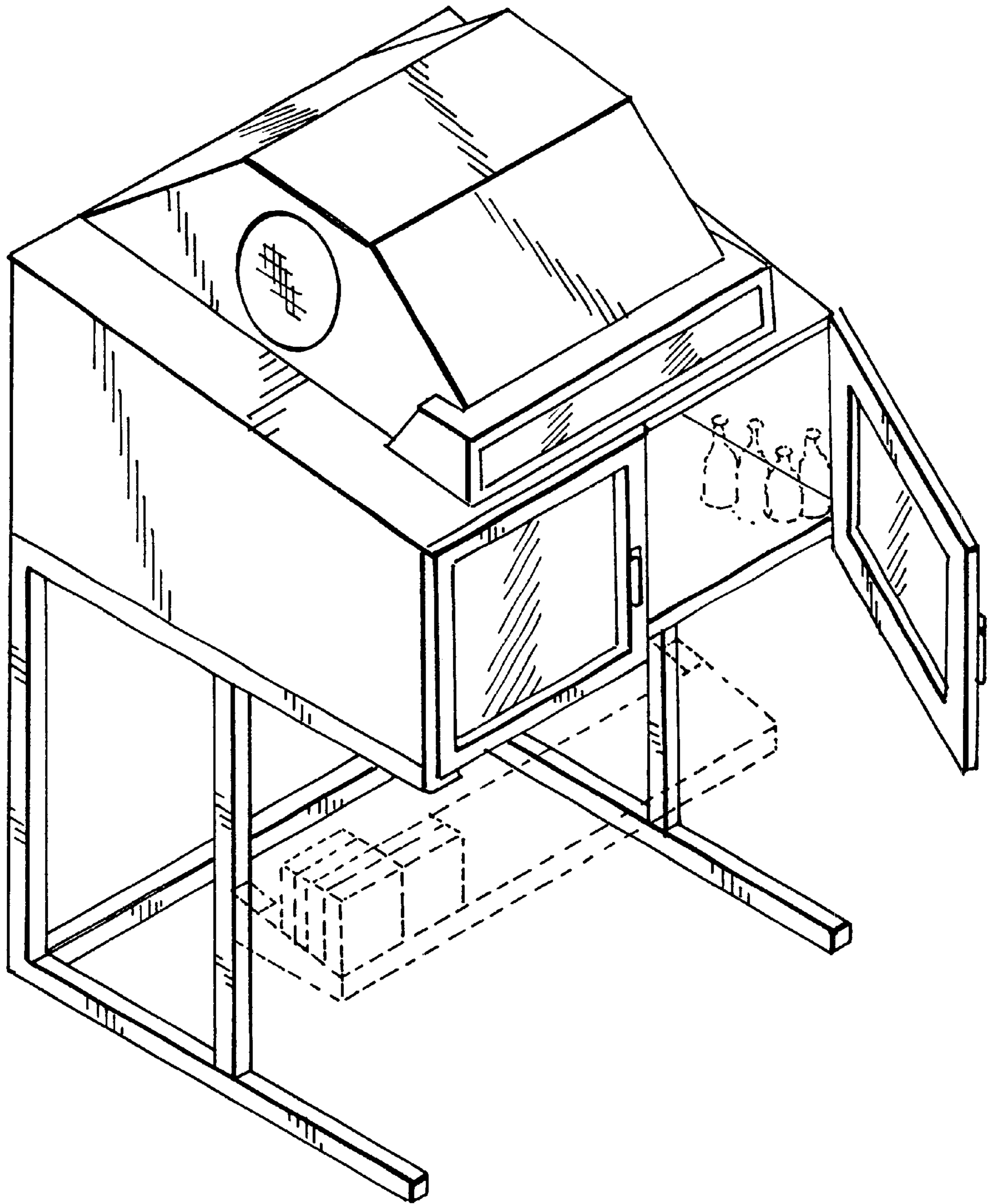


FIG. 1

FIG. 2

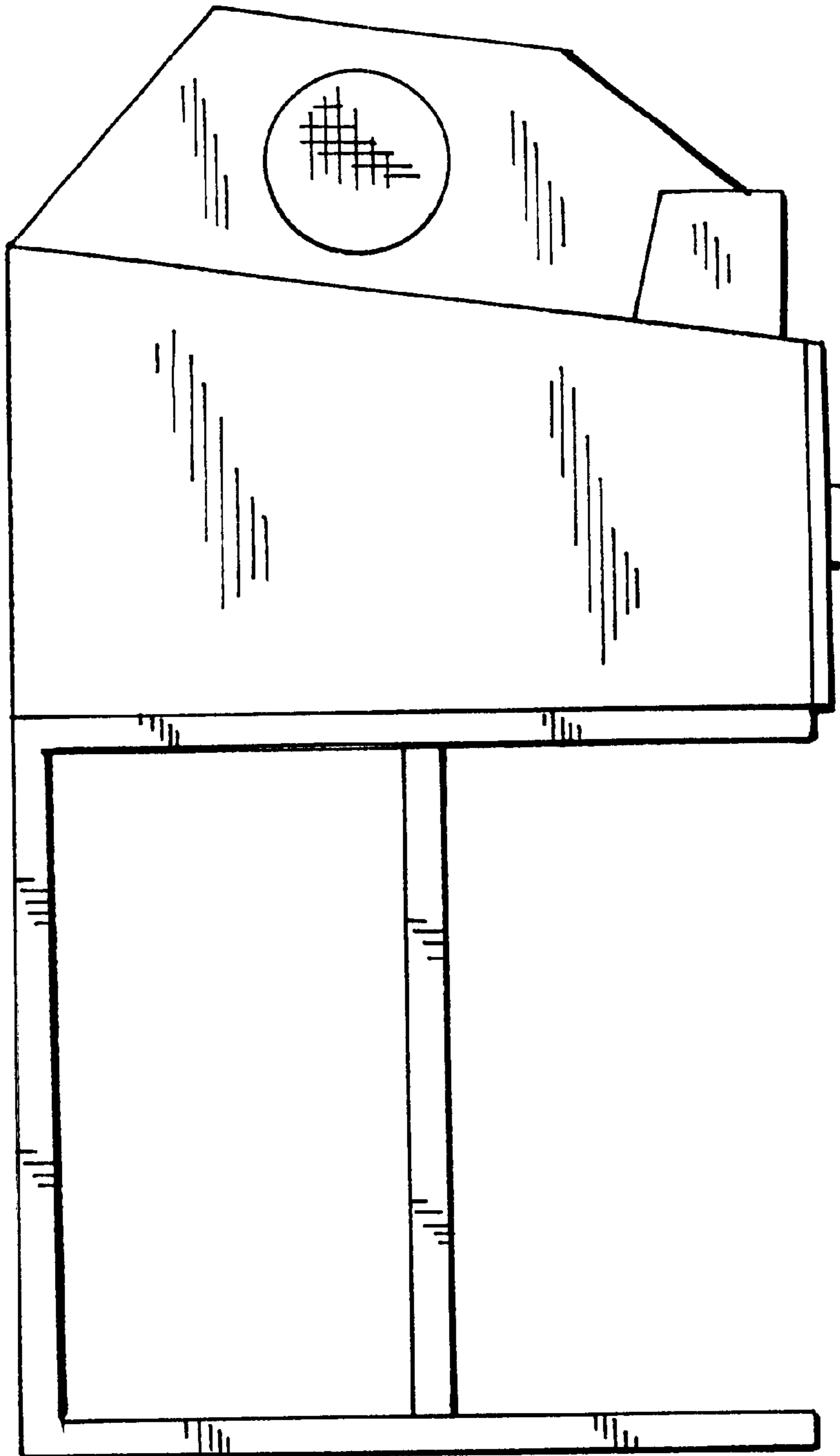


FIG. 3

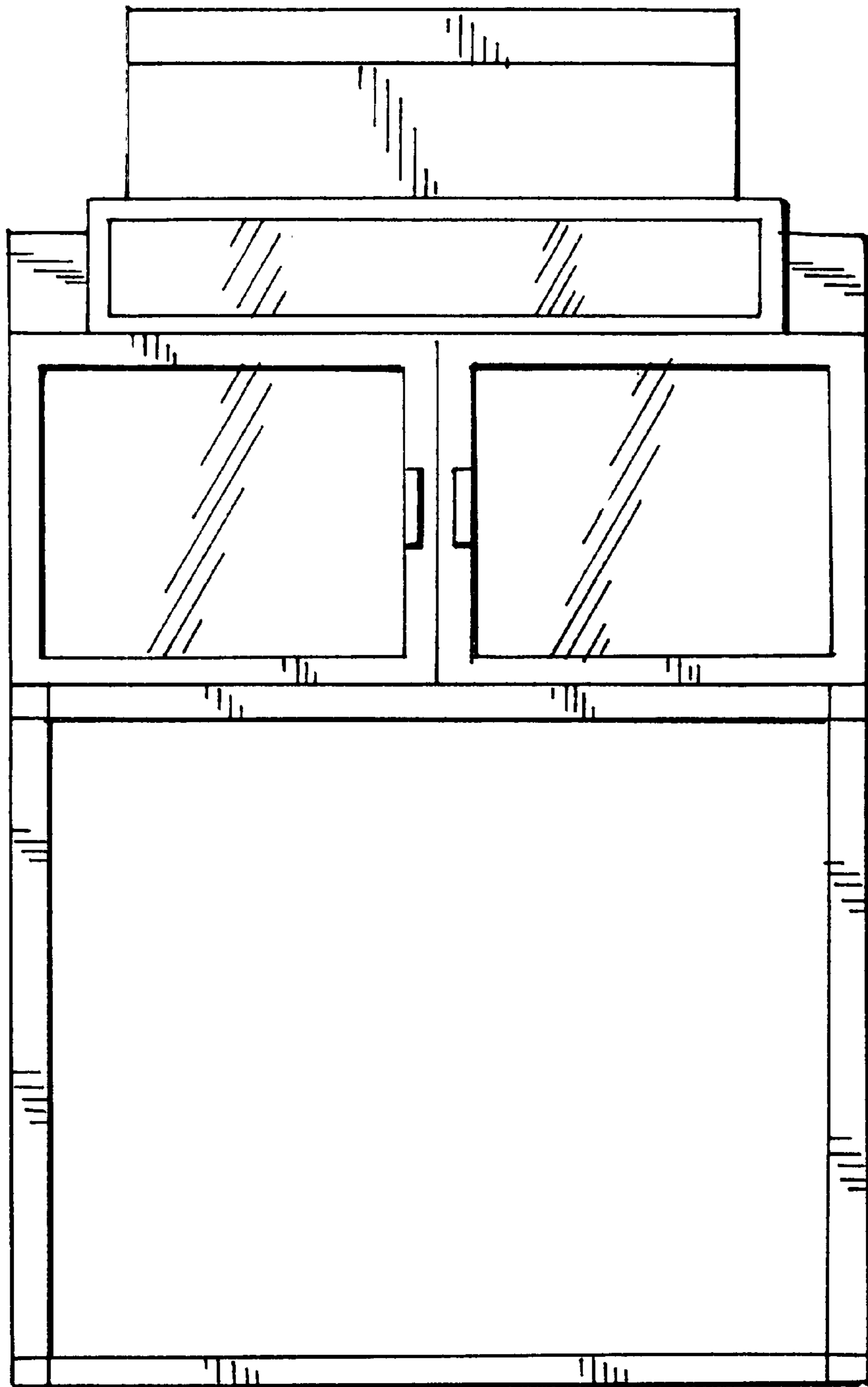


FIG. 4

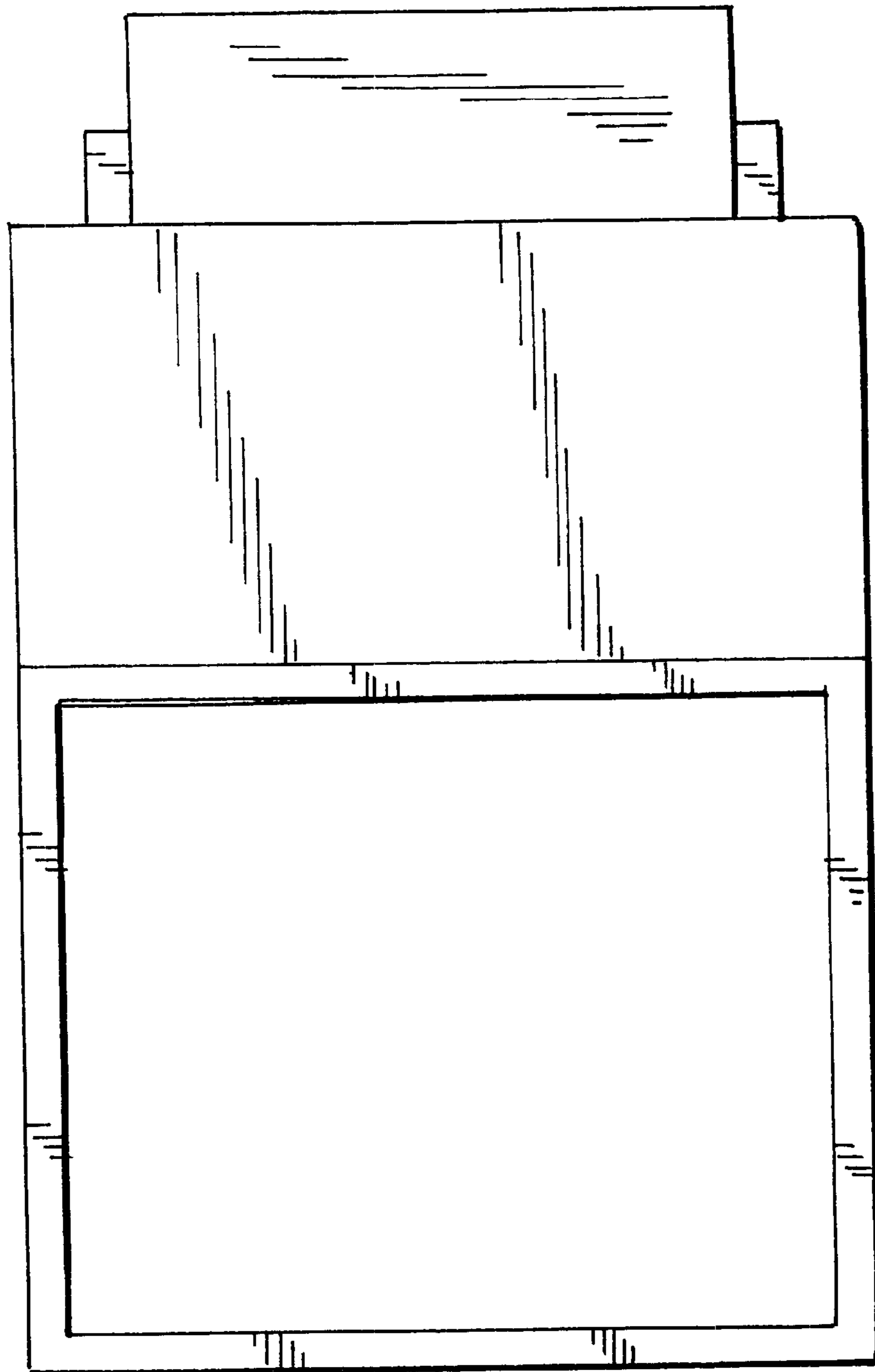


FIG. 5

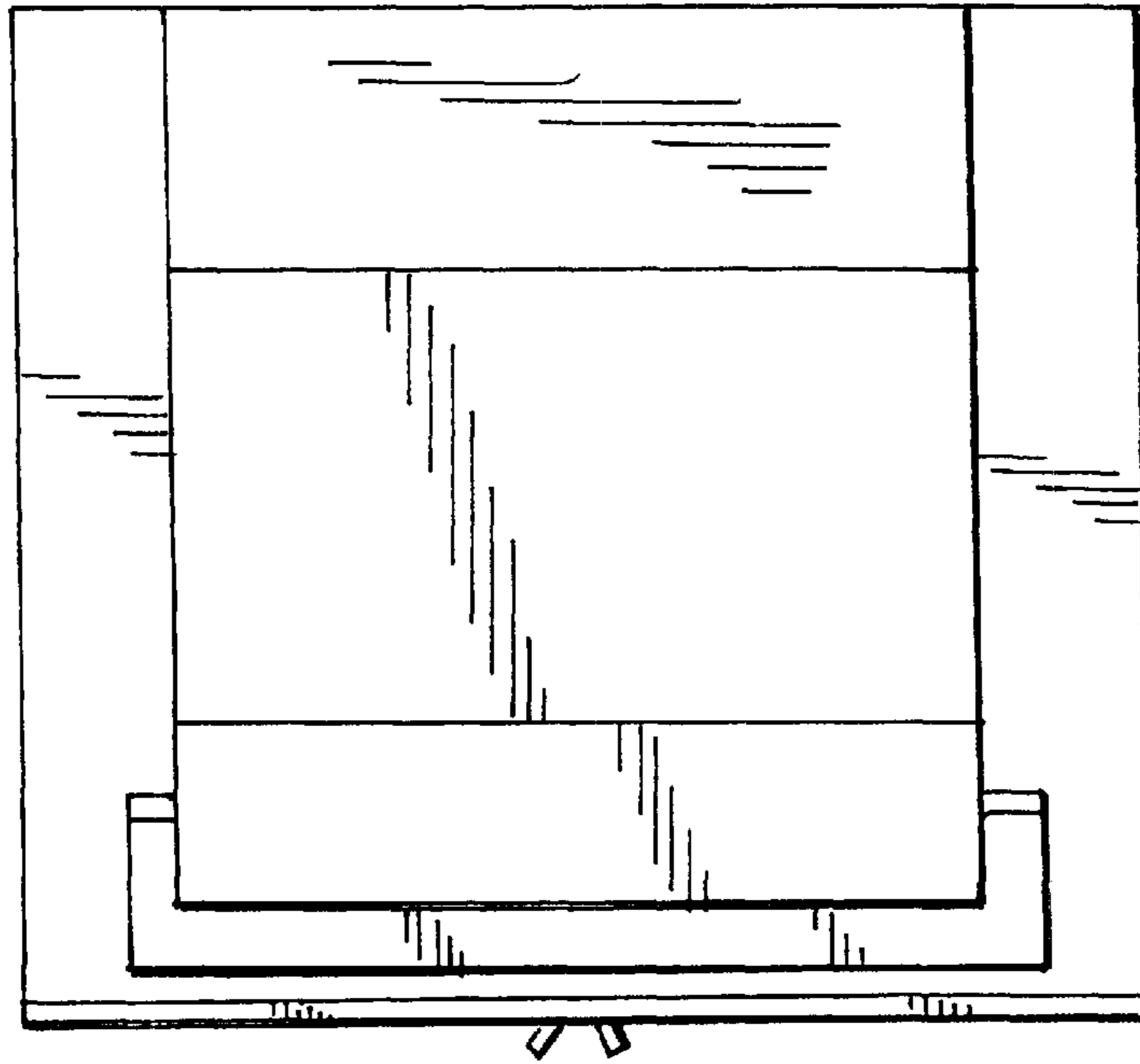


FIG. 6

