



US00D459737S

(12) **United States Design Patent**  
**Kuroki**

(10) **Patent No.:** **US D459,737 S**

(45) **Date of Patent:** **\*\* Jul. 2, 2002**

(54) **SEWING MACHINE**

(75) Inventor: **Nobuhusa Kuroki**, Tokyo (JP)

(73) Assignee: **Janome Sewing Machine Co., Ltd.**,  
Tokyo (JP)

(\*\*) Term: **14 Years**

(21) Appl. No.: **29/141,747**

(22) Filed: **May 11, 2001**

(30) **Foreign Application Priority Data**

Dec. 5, 2000 (JP) ..... 2000-034707

(51) **LOC (7) Cl.** ..... **15-06**

(52) **U.S. Cl.** ..... **D15/69**

(58) **Field of Search** ..... D15/66-76; 112/258-261,  
112/63, 217.1-219.4, 444

(56) **References Cited**

**U.S. PATENT DOCUMENTS**

- D300,543 S \* 4/1989 Yoneda ..... D15/70
- D433,690 S \* 11/2000 Kuroki ..... D15/70
- D450,722 S \* 11/2001 Kawaguchi ..... D15/69

\* cited by examiner

*Primary Examiner*—Mitchell Siegel  
(74) *Attorney, Agent, or Firm*—Niels & Lemack

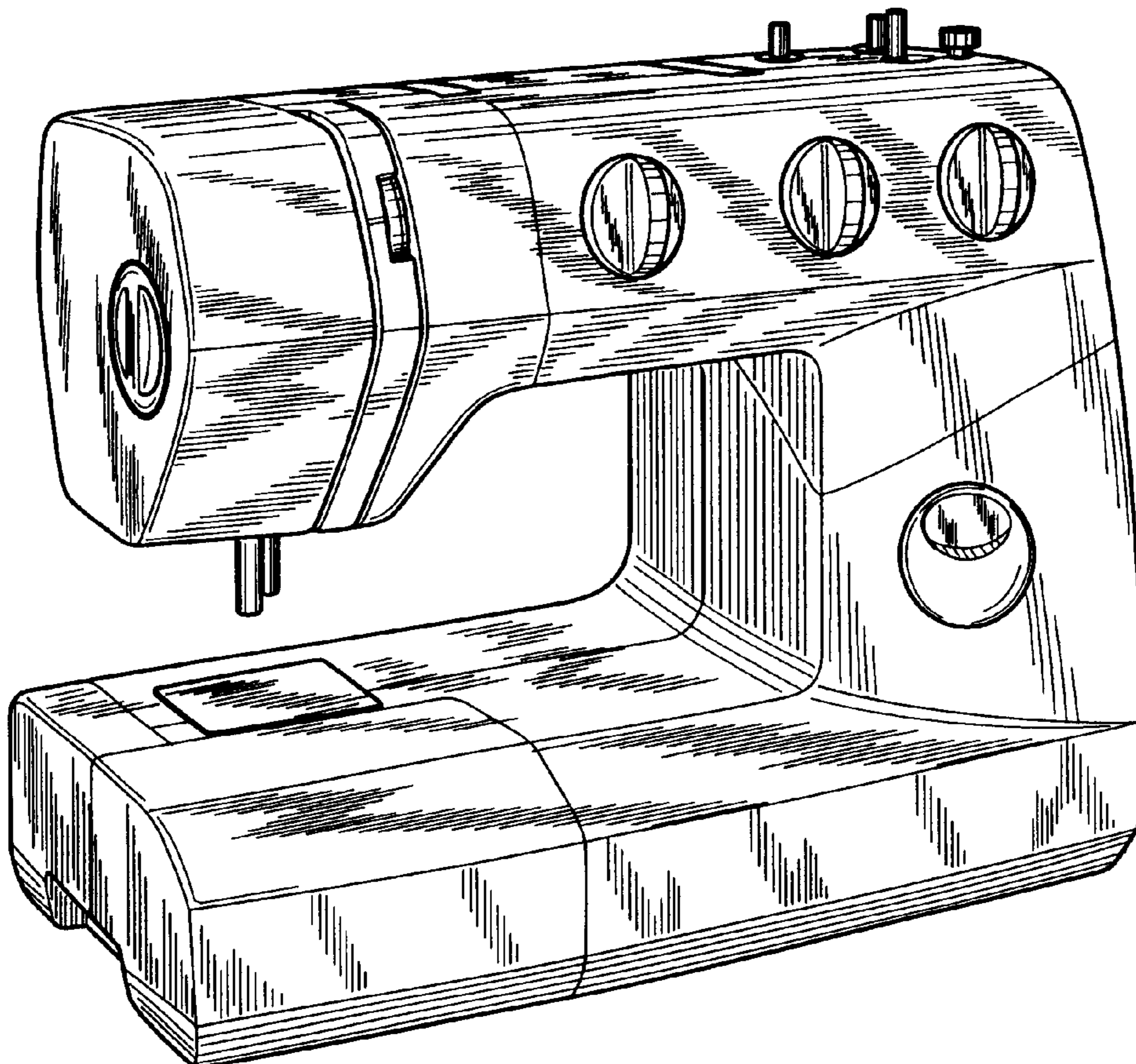
(57) **CLAIM**

The ornamental design for a sewing machine, as shown and described.

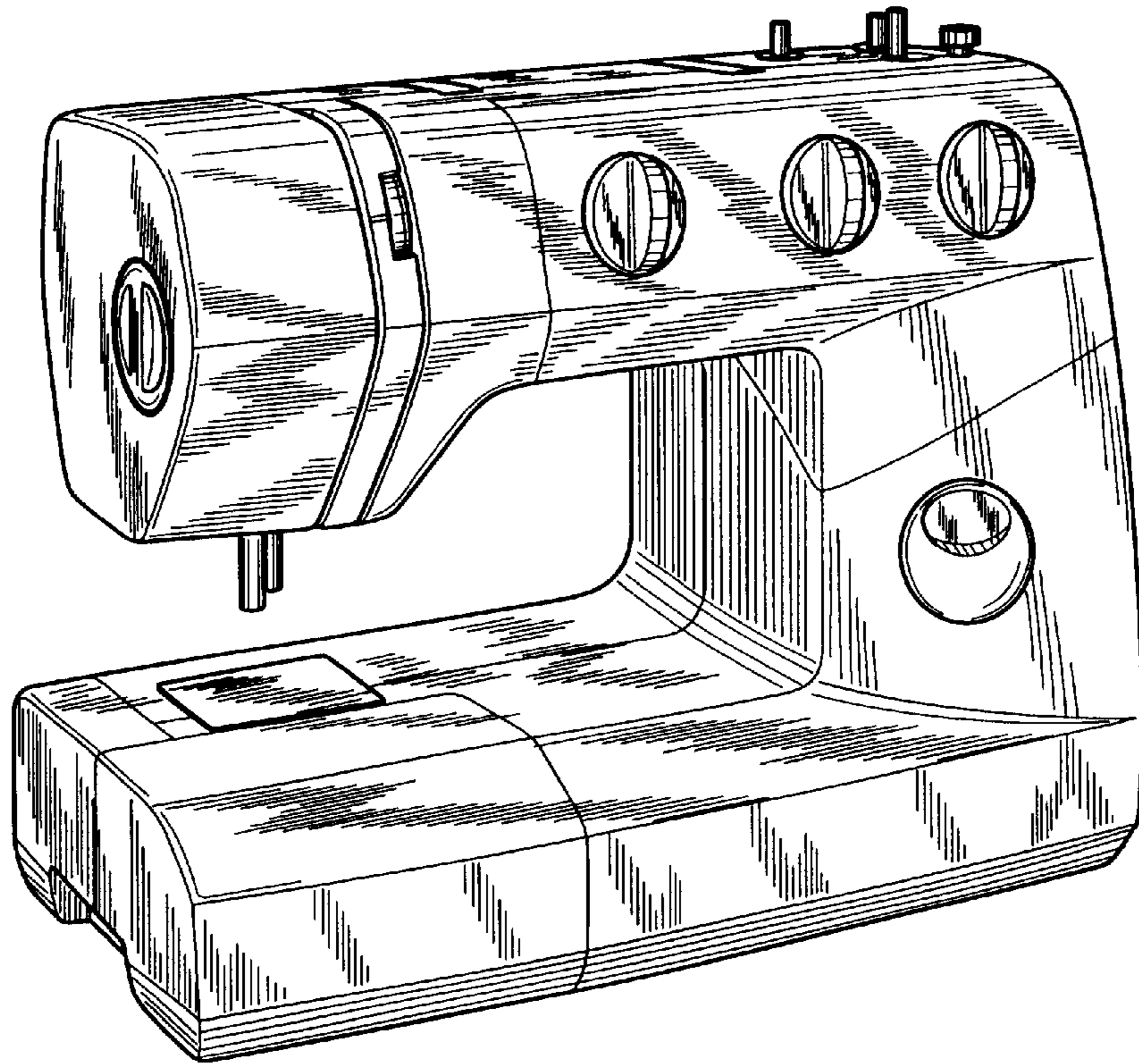
**DESCRIPTION**

FIG. 1 is a perspective view from a forward angle of the sewing machine of the present invention;  
 FIG. 2 is a perspective view from a rear angle of the sewing machine of the present invention;  
 FIG. 3 is a side view from a first side of the sewing machine of the present invention;  
 FIG. 4 is a front view of the sewing machine of the present invention;  
 FIG. 5 is a rear view of the sewing machine of the present invention;  
 FIG. 6 is a side view from a second side of the sewing machine of the present invention;  
 FIG. 7 is a top view of the sewing machine of the present invention; and,  
 FIG. 8 is a bottom view of the sewing machine of the present invention.

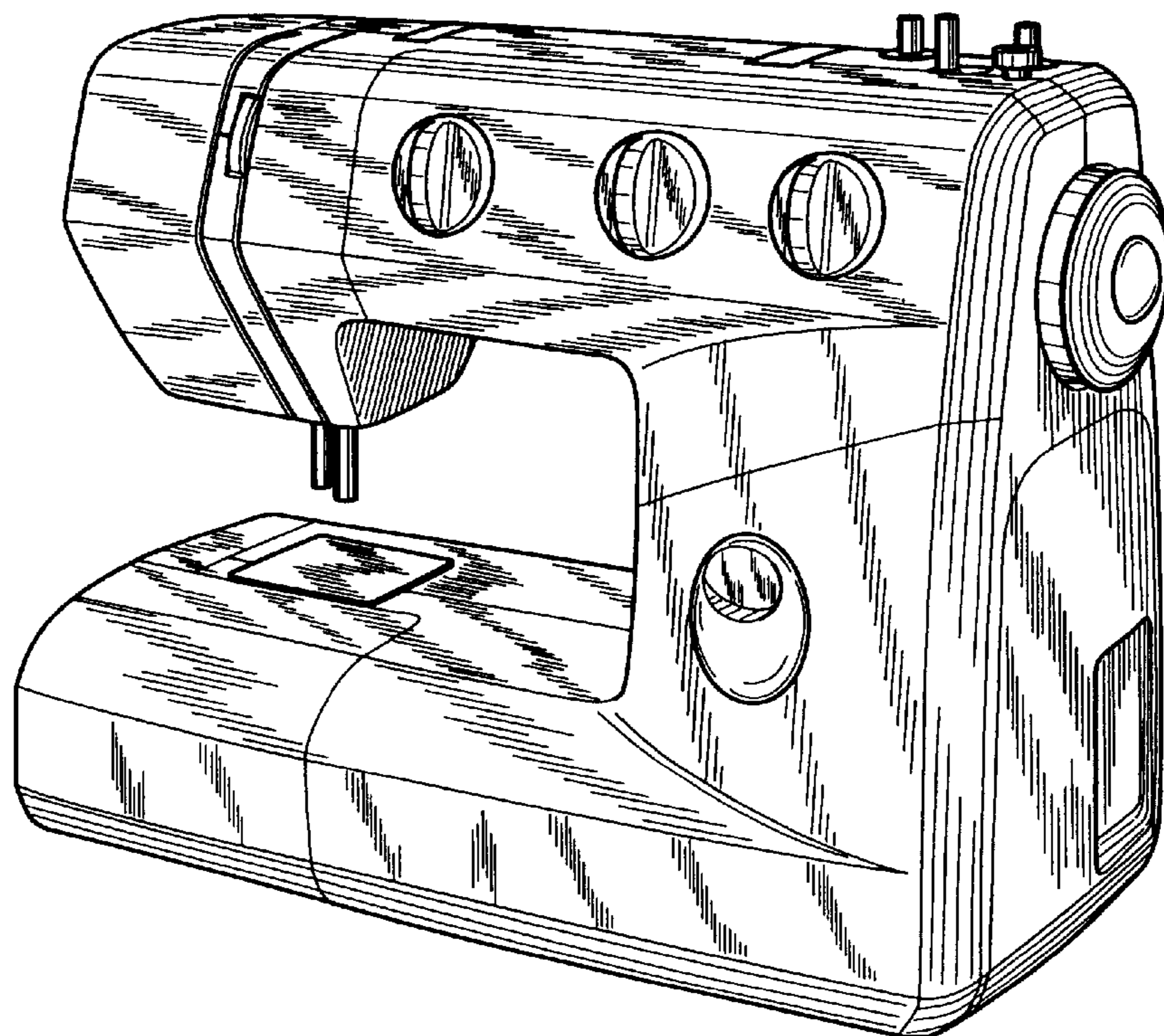
**1 Claim, 4 Drawing Sheets**



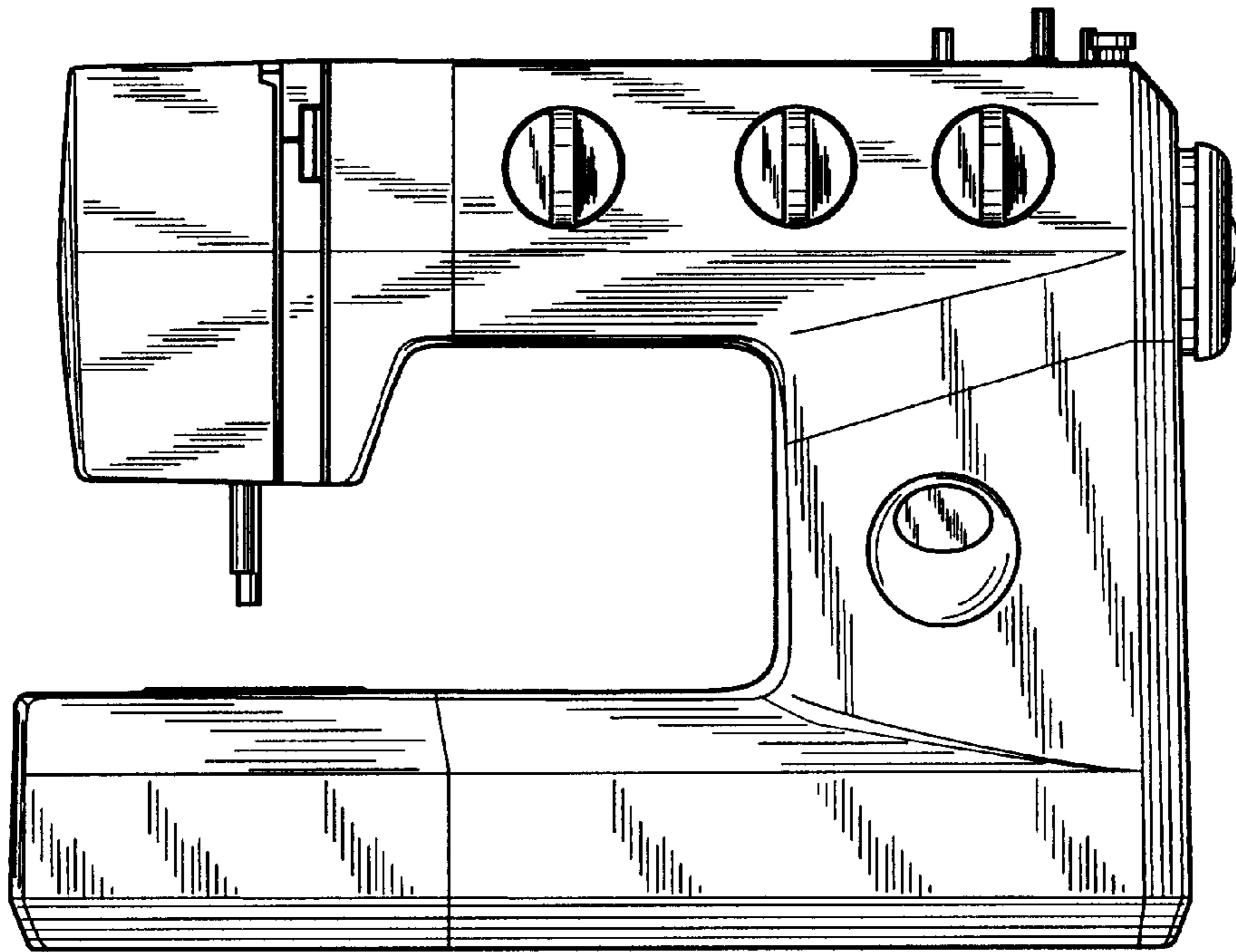
**FIG. 1**



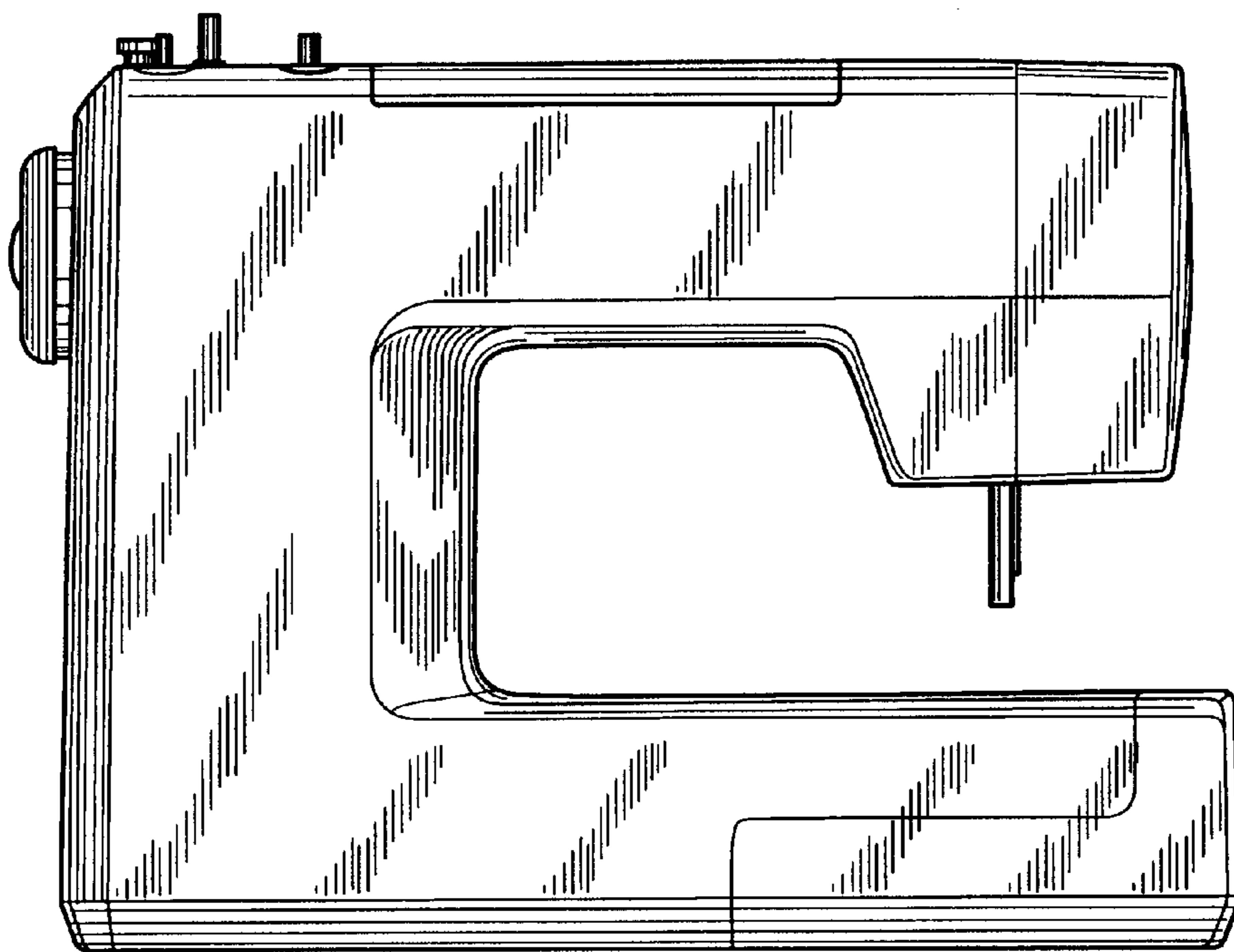
**FIG. 2**



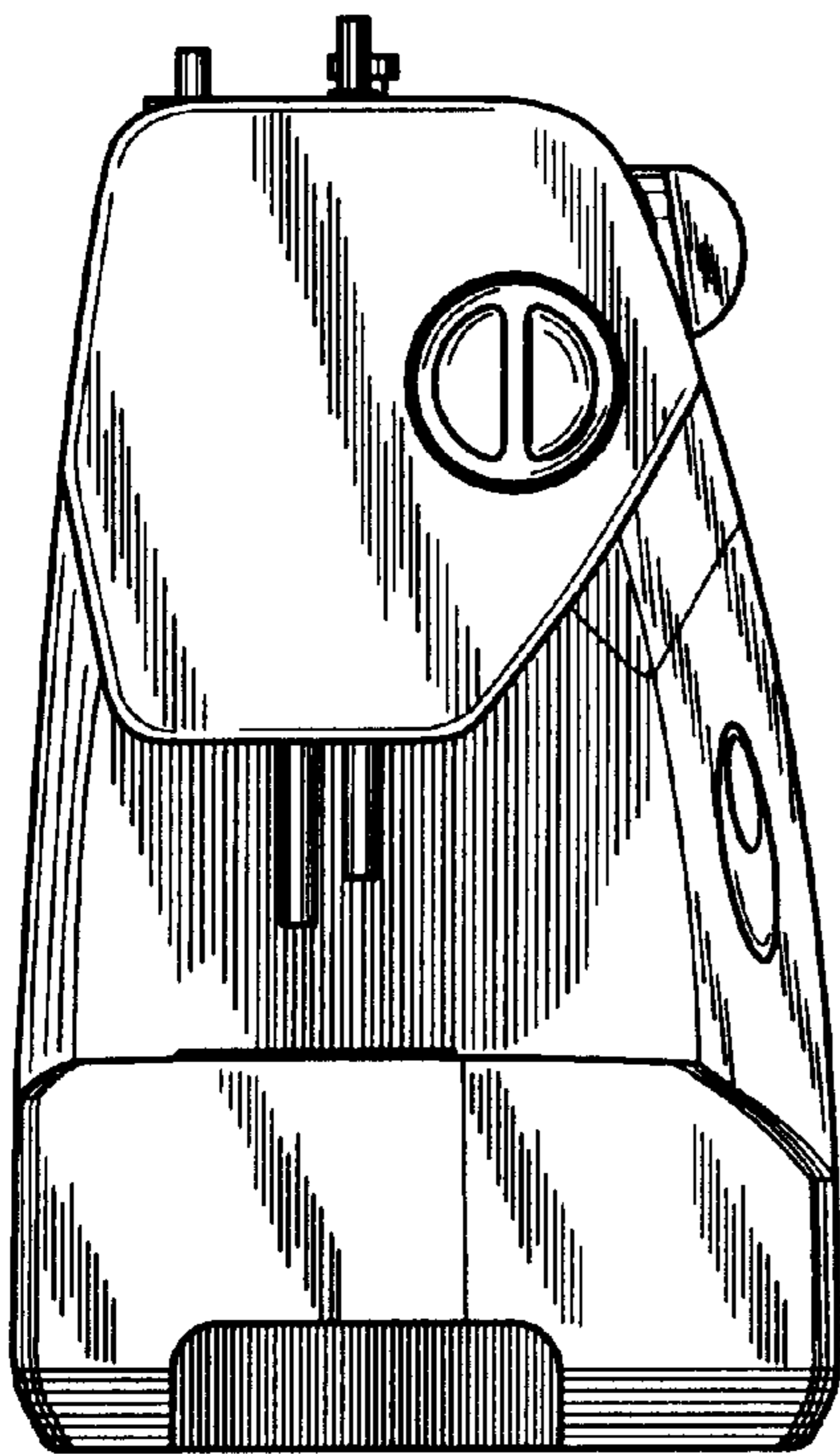
**FIG. 3**



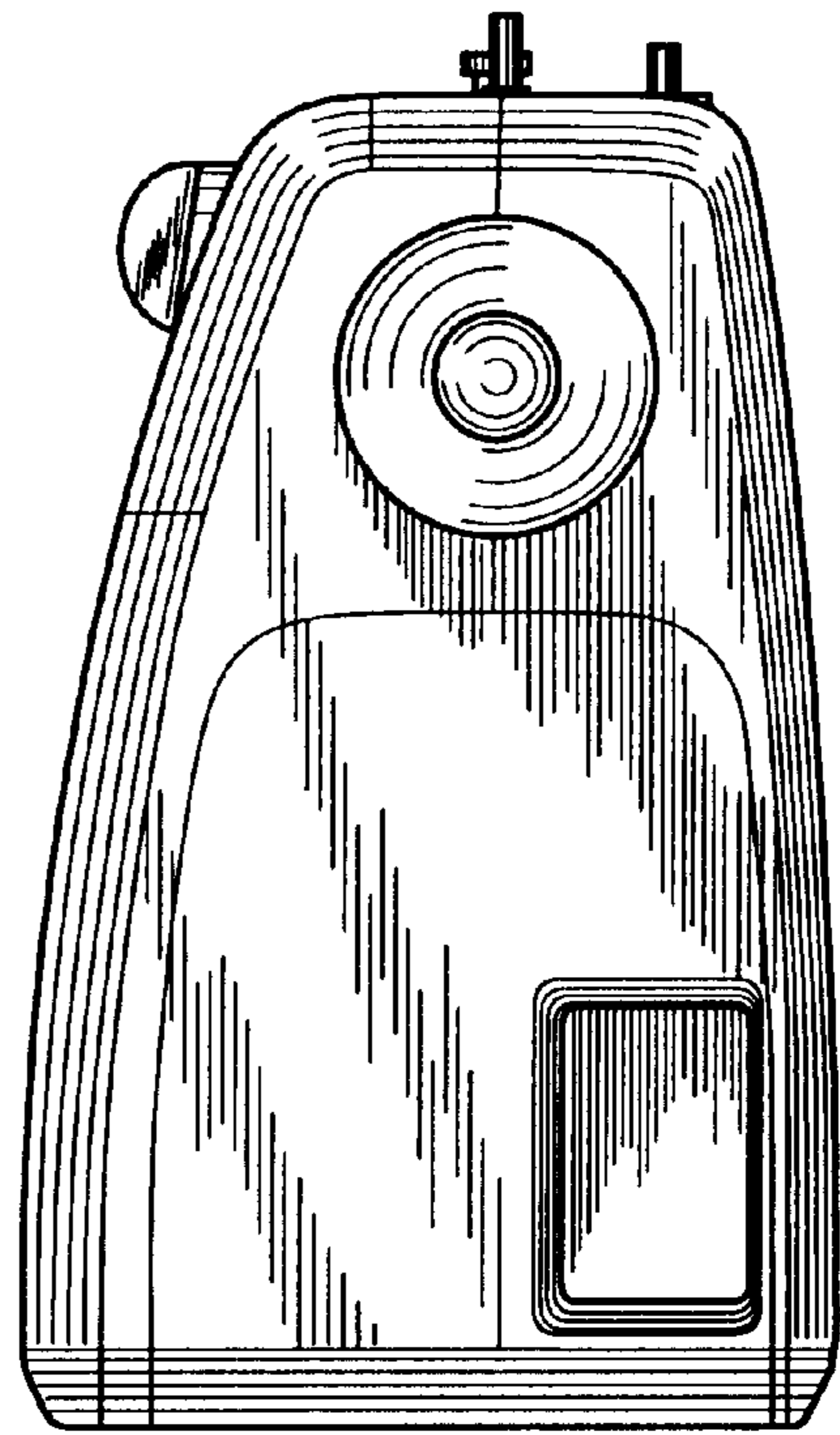
**FIG. 6**



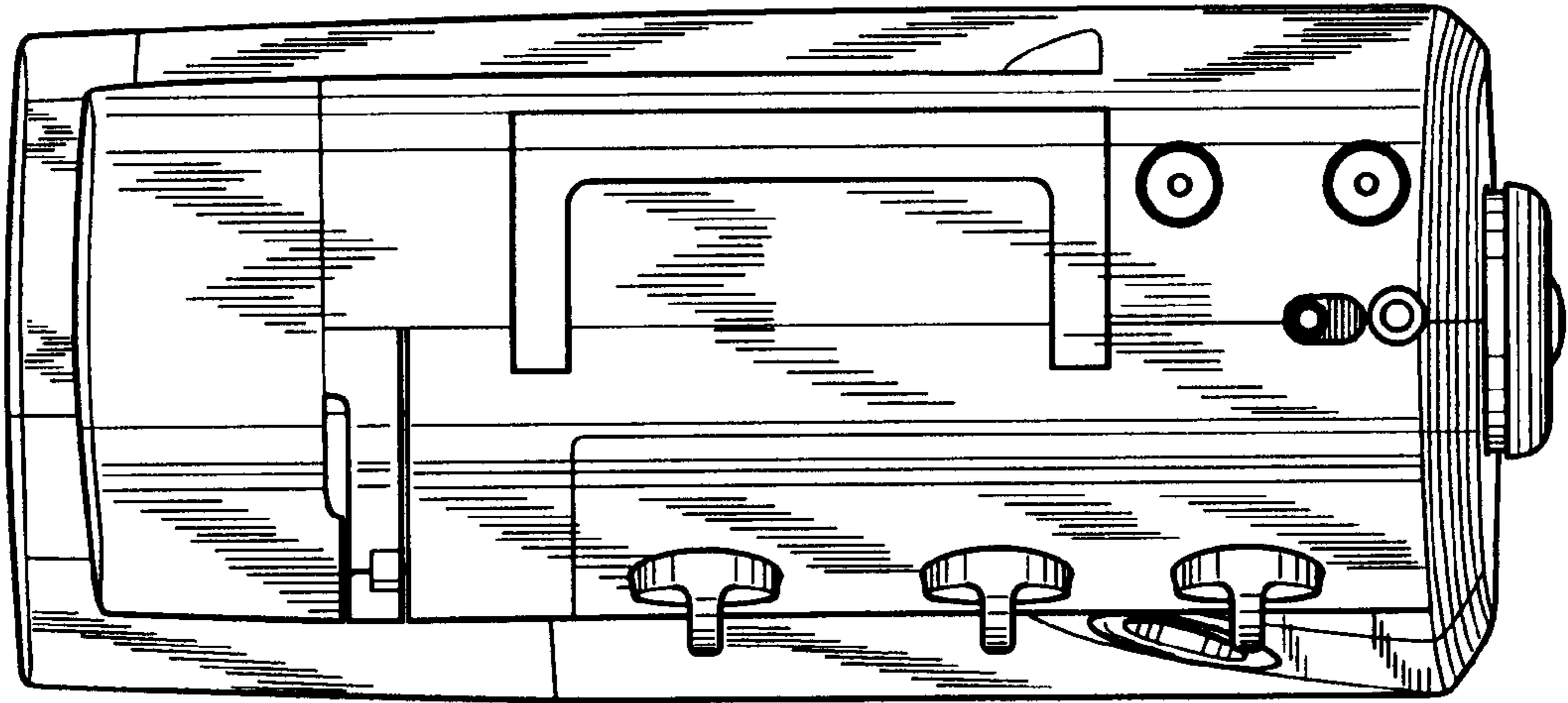
**FIG. 4**



**FIG. 5**



**FIG. 7**



**FIG. 8**

