



US00D459734S

(12) **United States Design Patent**
Hohnl et al.

(10) **Patent No.:** **US D459,734 S**

(45) **Date of Patent:** **** Jul. 2, 2002**

(54) **DASH SURFACE**

D427,613 S * 7/2000 Altmann et al. D15/28

(75) Inventors: **Gary David Hohnl**, Slinger; **Dale Selsor Dilulio**, Oak Creek; **Richard Scott Walters**, Cedar Grove, all of WI (US)

* cited by examiner

Primary Examiner—Mitchell Siegel

(73) Assignee: **Deere & Company**, Moline, IL (US)

(57) **CLAIM**

The ornamental design for a dash surface, as shown and described.

(**) Term: **14 Years**

DESCRIPTION

(21) Appl. No.: **29/143,776**

FIG. 1 is an elevated right rear perspective view of a dash surface showing our new design, the broken line showing being for illustrative purposes only, and forms no part of the claimed design.

(22) Filed: **Jun. 20, 2001**

FIG. 2 is a right rear elevated perspective view of the dash surface design of FIG. 1.

(51) **LOC (7) Cl.** **15-03**

(52) **U.S. Cl.** **D15/28**

(58) **Field of Search** D15/15, 17, 28, D15/33; 56/13, 255, 294, 295, 320.1, 320.2; 180/89.1, 89.12, 900; D12/415-424; 296/70; 362/30

FIG. 3 is a plan view of the dash surface design of FIG. 1.

FIG. 4 is a rear view of the dash surface design of FIG. 1.

FIG. 5 is a right side view of the dash surface design of FIG. 1.

(56) **References Cited**

U.S. PATENT DOCUMENTS

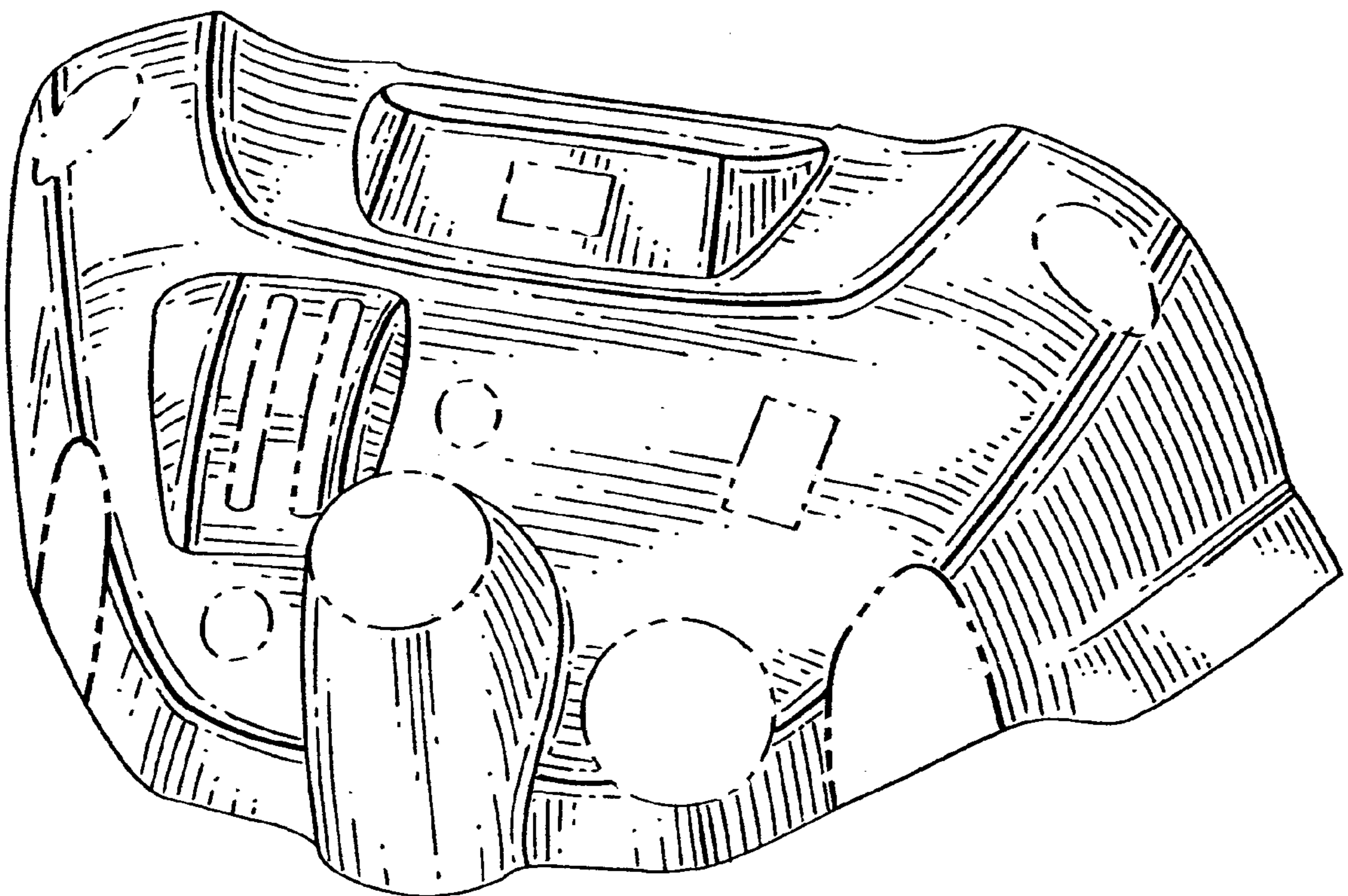
D326,662 S * 6/1992 Holm et al. D15/17

D365,574 S 12/1995 Westimayer et al. D15/17

FIG. 6 is a left side view of the dash surface design of FIG. 1; and,

FIG. 7 is a front view of the dash surface design of FIG. 1.

1 Claim, 3 Drawing Sheets



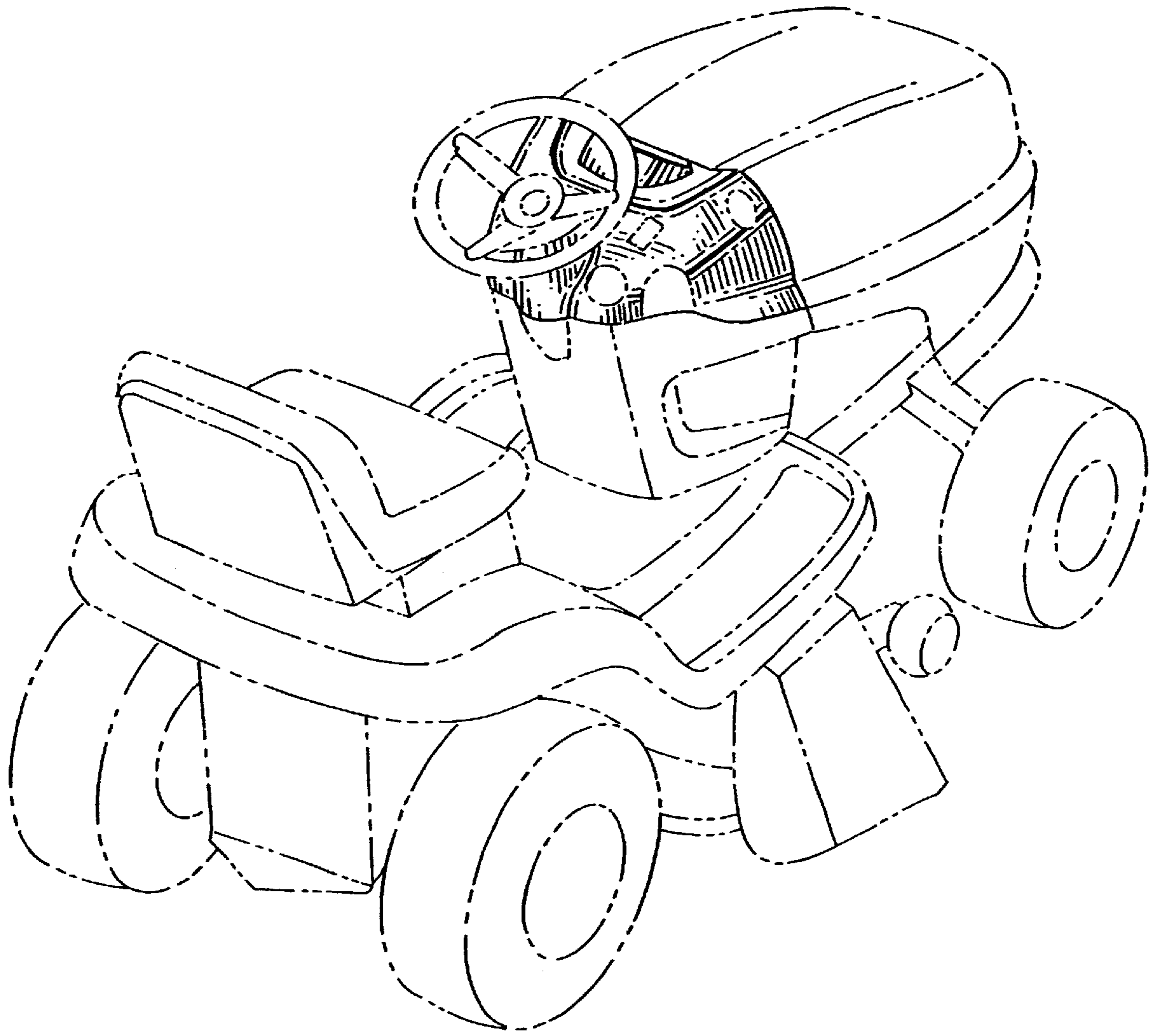


Fig. 1

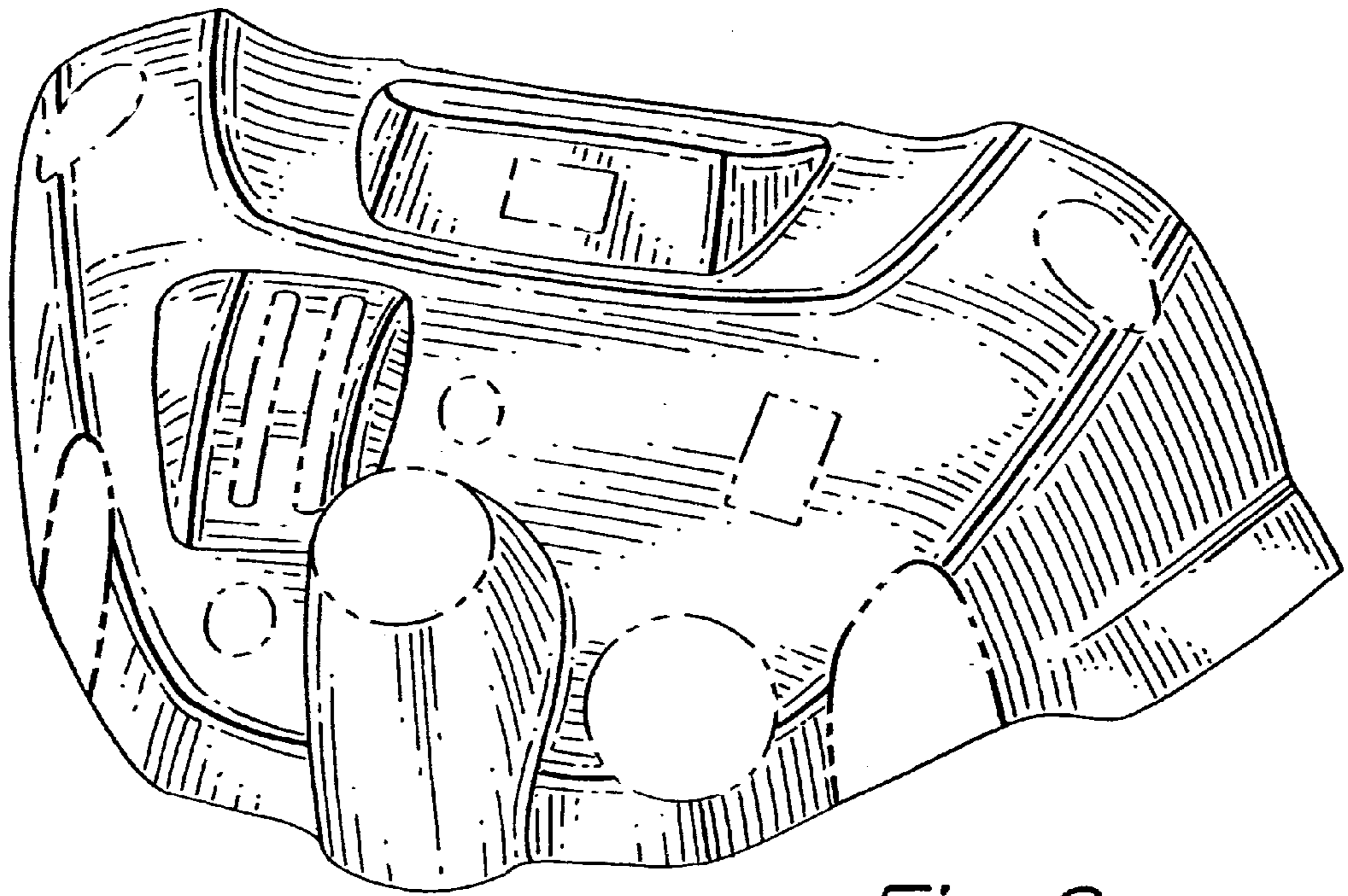


Fig. 2

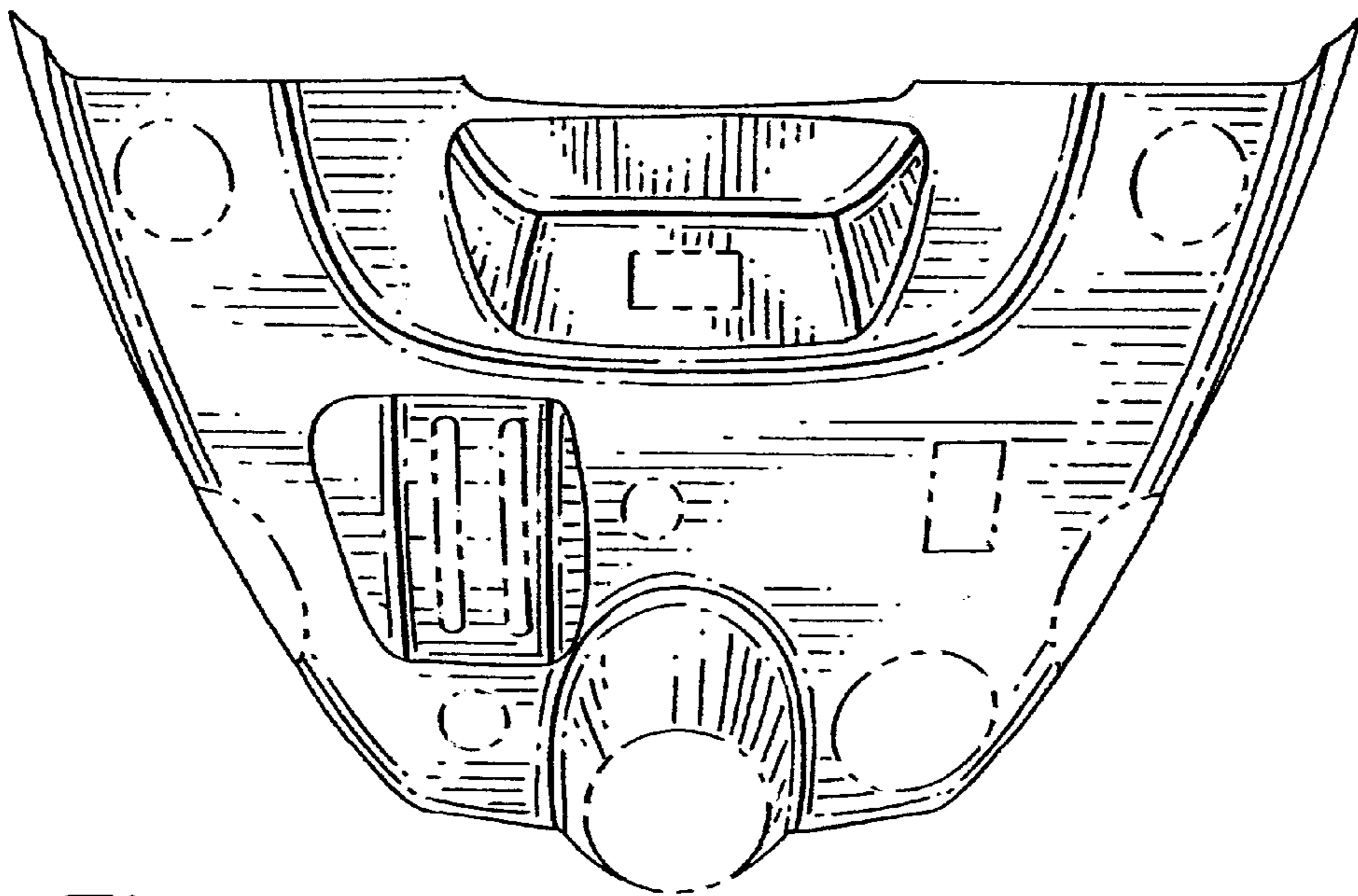


Fig. 3

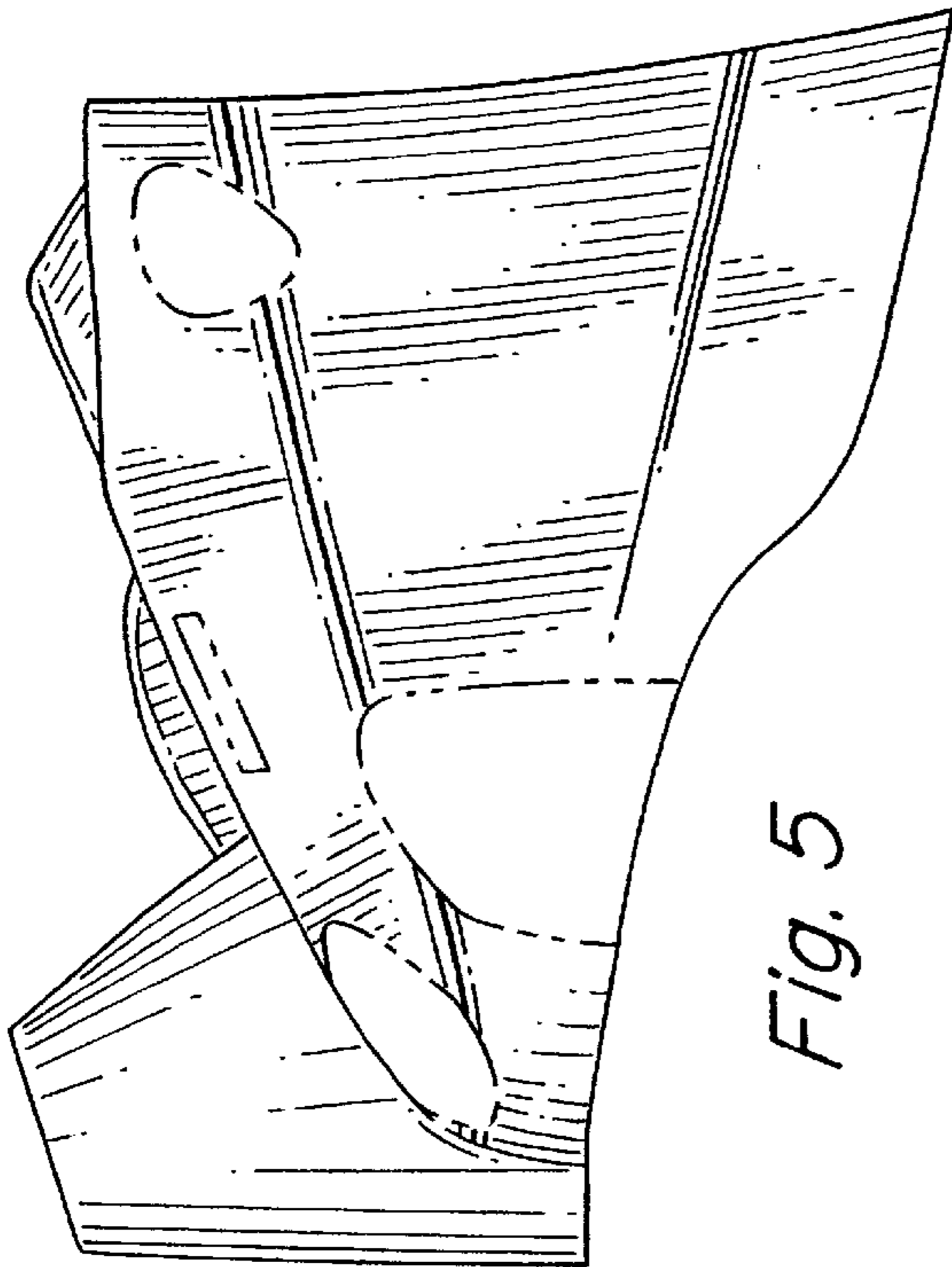


Fig. 5

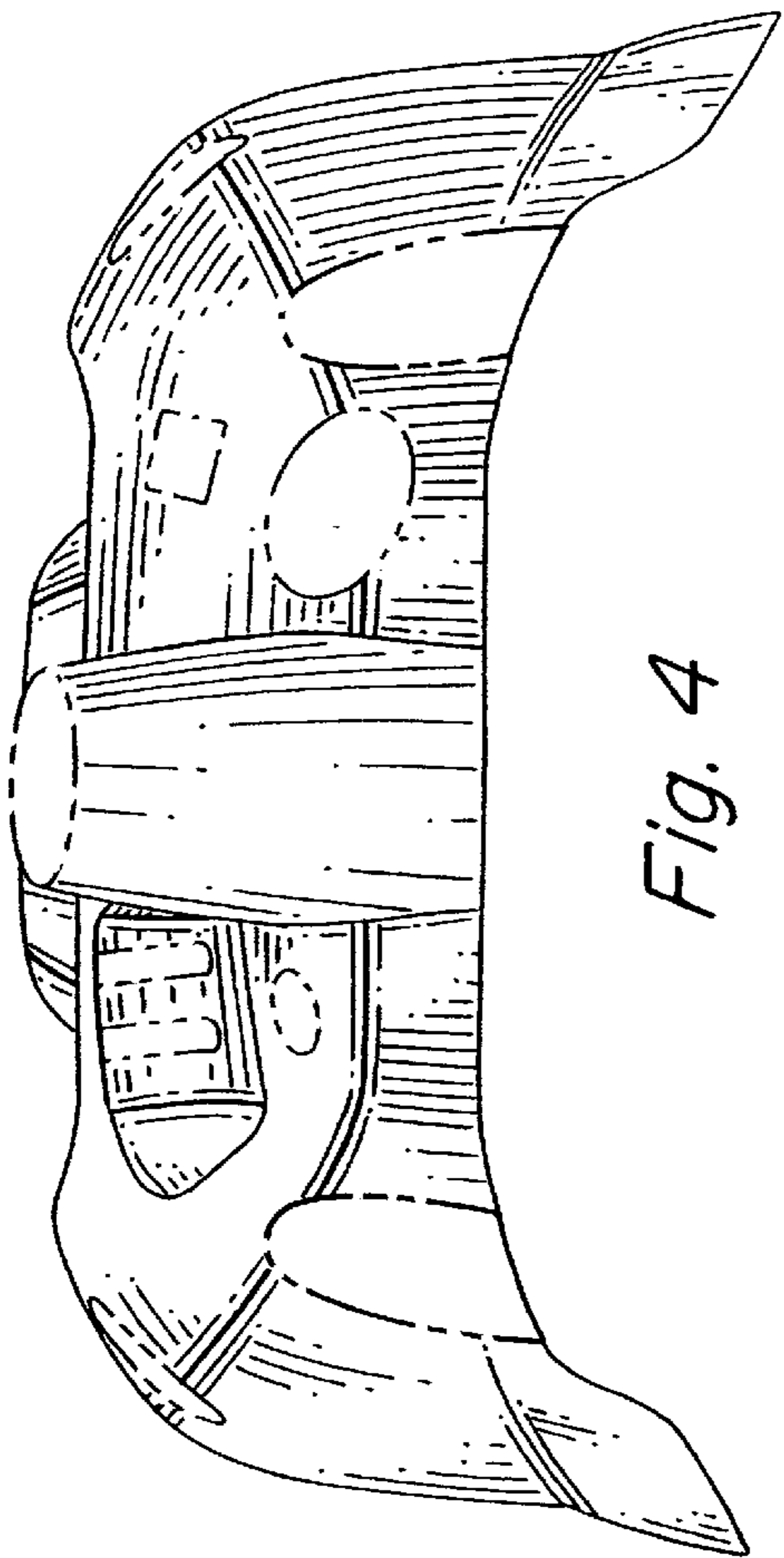


Fig. 4

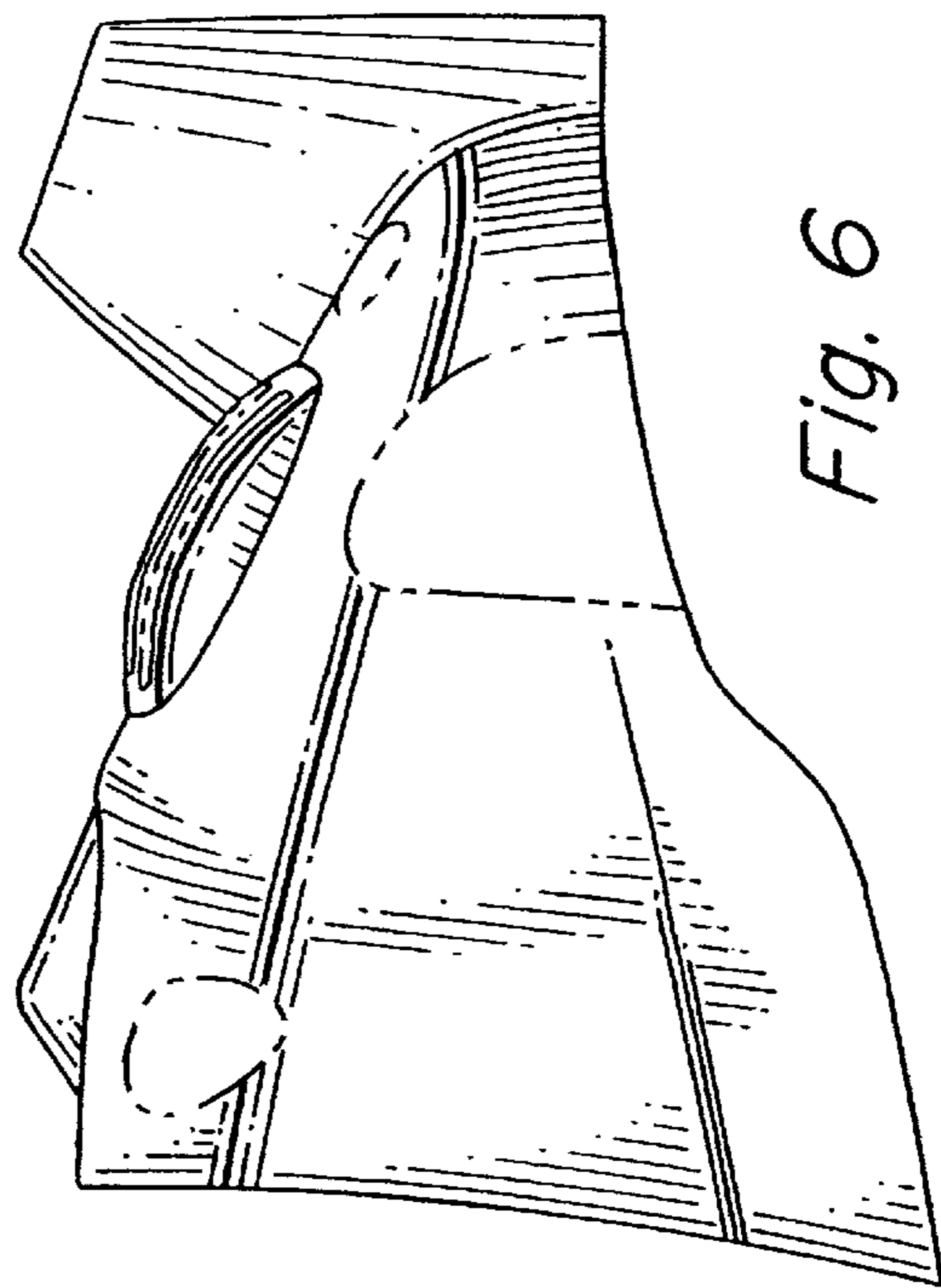


Fig. 6

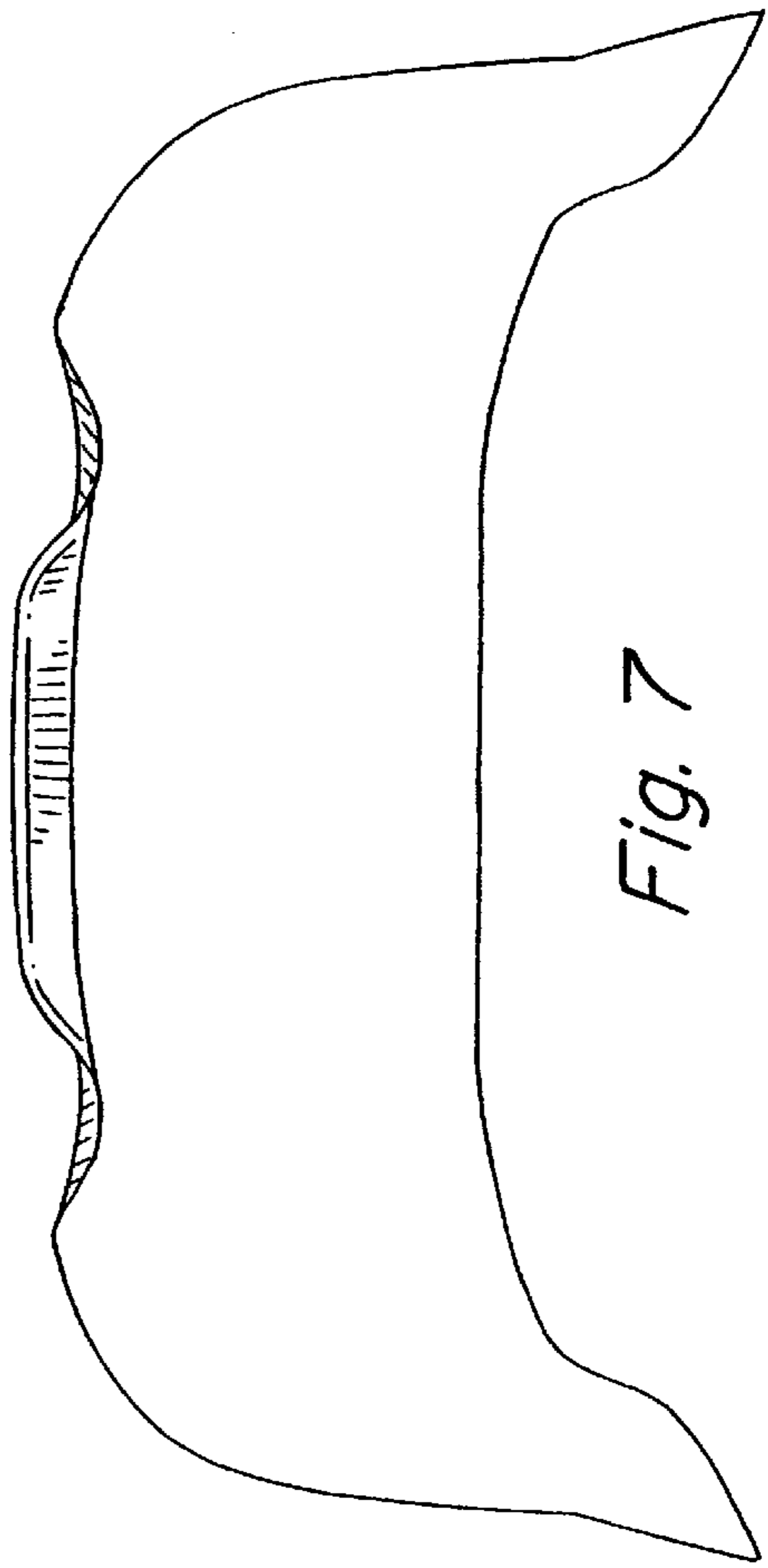


Fig. 7