



US00D459729S

(12) **United States Design Patent**
Goto

(10) **Patent No.:** **US D459,729 S**

(45) **Date of Patent:** **** Jul. 2, 2002**

(54) **MONITOR DISPLAY**

FOREIGN PATENT DOCUMENTS

(75) Inventor: **Teiyu Goto**, Tokyo (JP)
(73) Assignee: **Sony Corporation**, Tokyo (JP)
(**) Term: **14 Years**

JP 1003542 2/1998
JP 1075596 6/2000

* cited by examiner

Primary Examiner—Kay H. Chin
(74) *Attorney, Agent, or Firm*—Rader, Fishman & Grauer, PLLC

(21) Appl. No.: **29/146,032**
(22) Filed: **Aug. 3, 2001**

(57) **CLAIM**

The ornamental design for a monitor display, as shown and described.

(30) **Foreign Application Priority Data**

May 11, 2001 (JP) 2001-013568

DESCRIPTION

(51) **LOC (7) Cl.** **14-02**
(52) **U.S. Cl.** **D14/451; D14/447**
(58) **Field of Search** D14/439-457,
D14/217, 239, 299, 126; 248/125.1, 127,
133, 177.1, 178.1, 179.1, 183.1, 346.01,
346.02, 188.2, 917-924; 200/5 R, 5 A,
6 R, 6 A; 361/679-685; D13/184-199

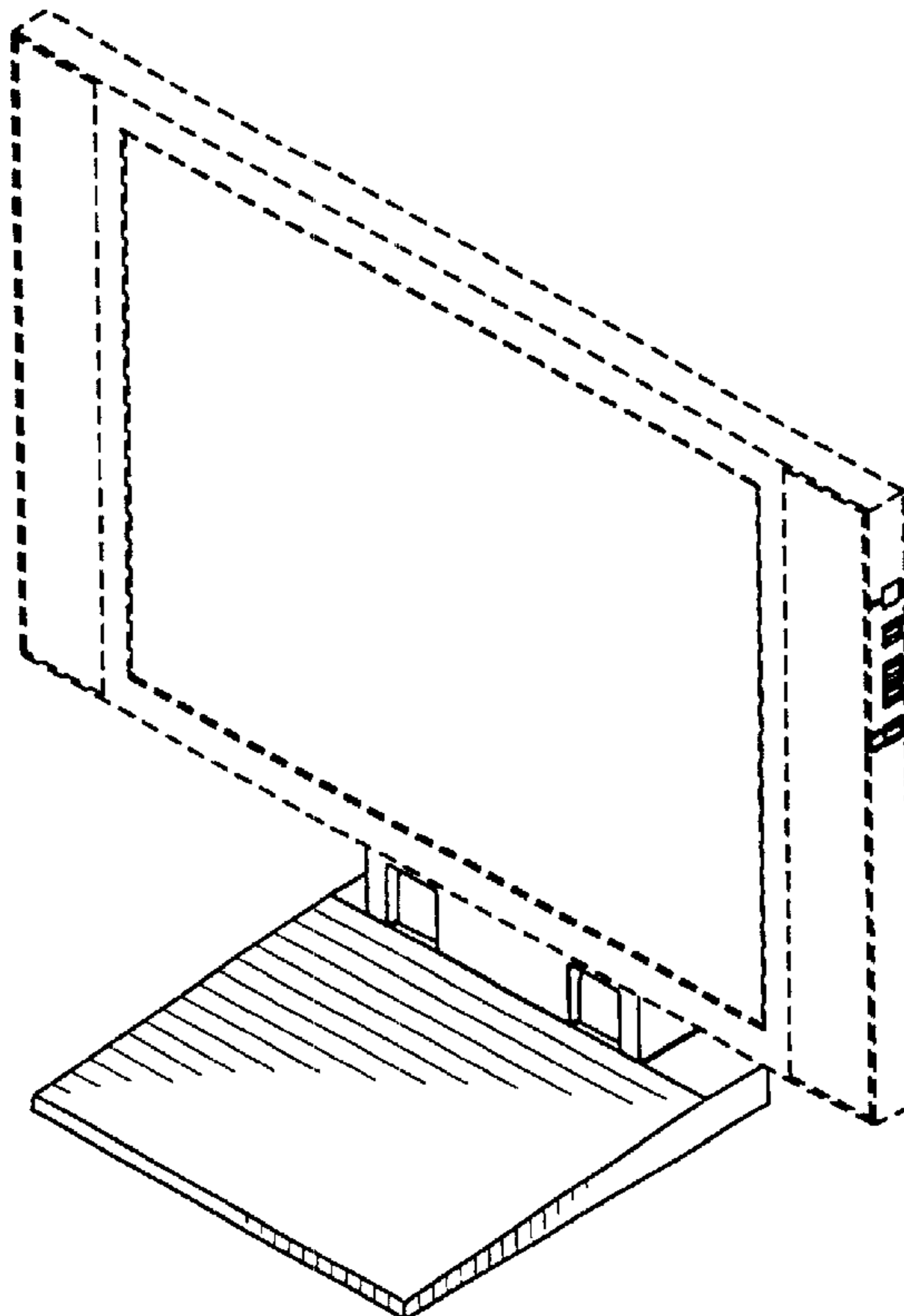
FIG. 1 is a front elevational view of a monitor display showing my design;
FIG. 2 is a rear elevational view thereof;
FIG. 3 is a left side elevational view thereof;
FIG. 4 is a right side elevational view thereof;
FIG. 5 is a top plan view thereof;
FIG. 6 is a bottom plan view thereof; and
FIG. 7 is a reduced perspective view thereof; and,
FIG. 8 is a bottom plan view of another embodiment of a monitor display showing my new design, the rest of the views thereof are the same as those of the embodiment of FIG. 1.
Portions in broken lines are for illustrative purposes only and form no part of the claimed design.

(56) **References Cited**

U.S. PATENT DOCUMENTS

D330,021 S * 10/1992 Kline et al. D14/447
D358,144 S * 5/1995 Masaaki D14/447
D363,927 S * 11/1995 Rosen D14/451
D415,742 S * 10/1999 Kolls D14/447
D444,790 S * 7/2001 Goto D14/447
D447,486 S * 9/2001 Goto D14/447

1 Claim, 4 Drawing Sheets



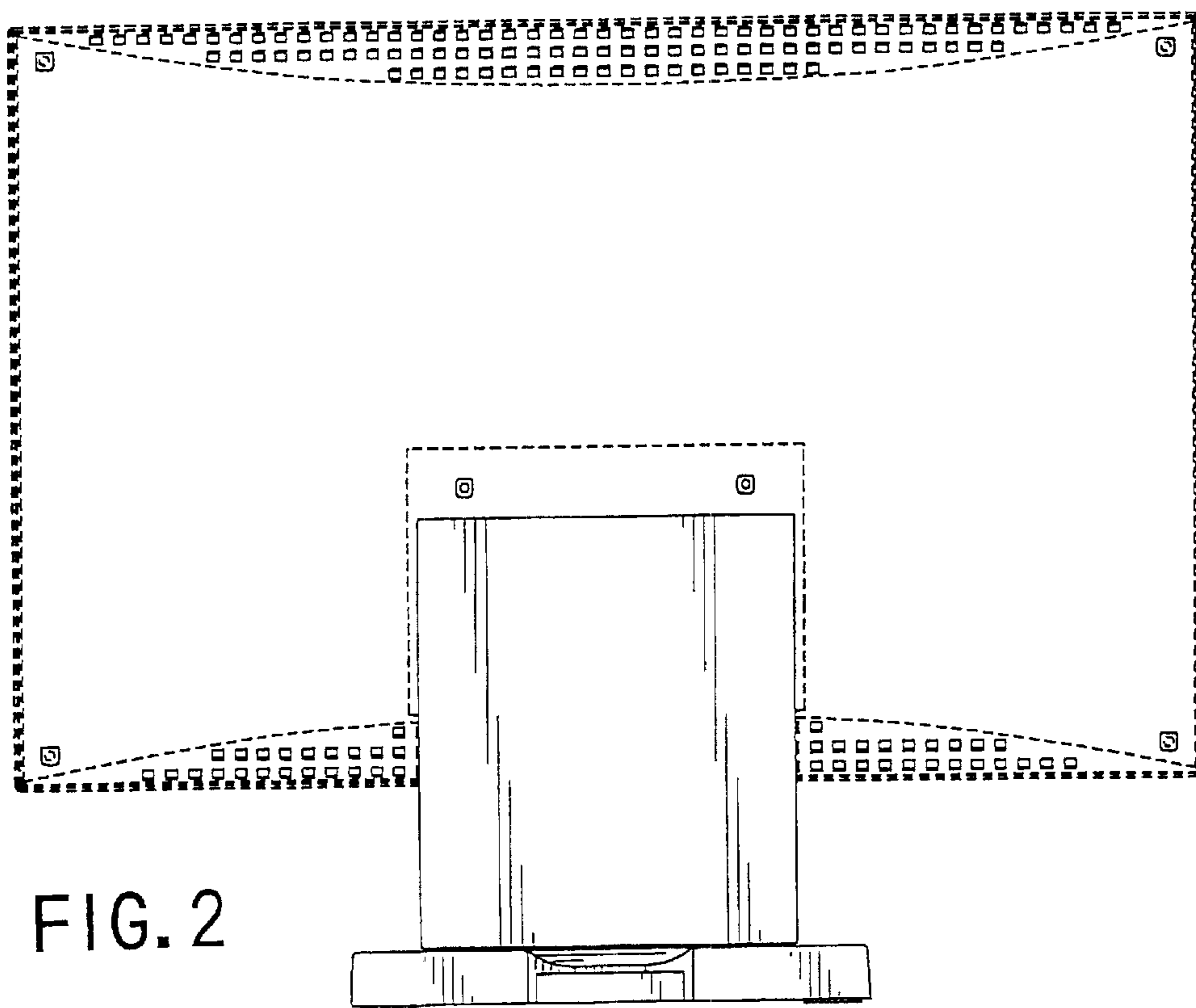
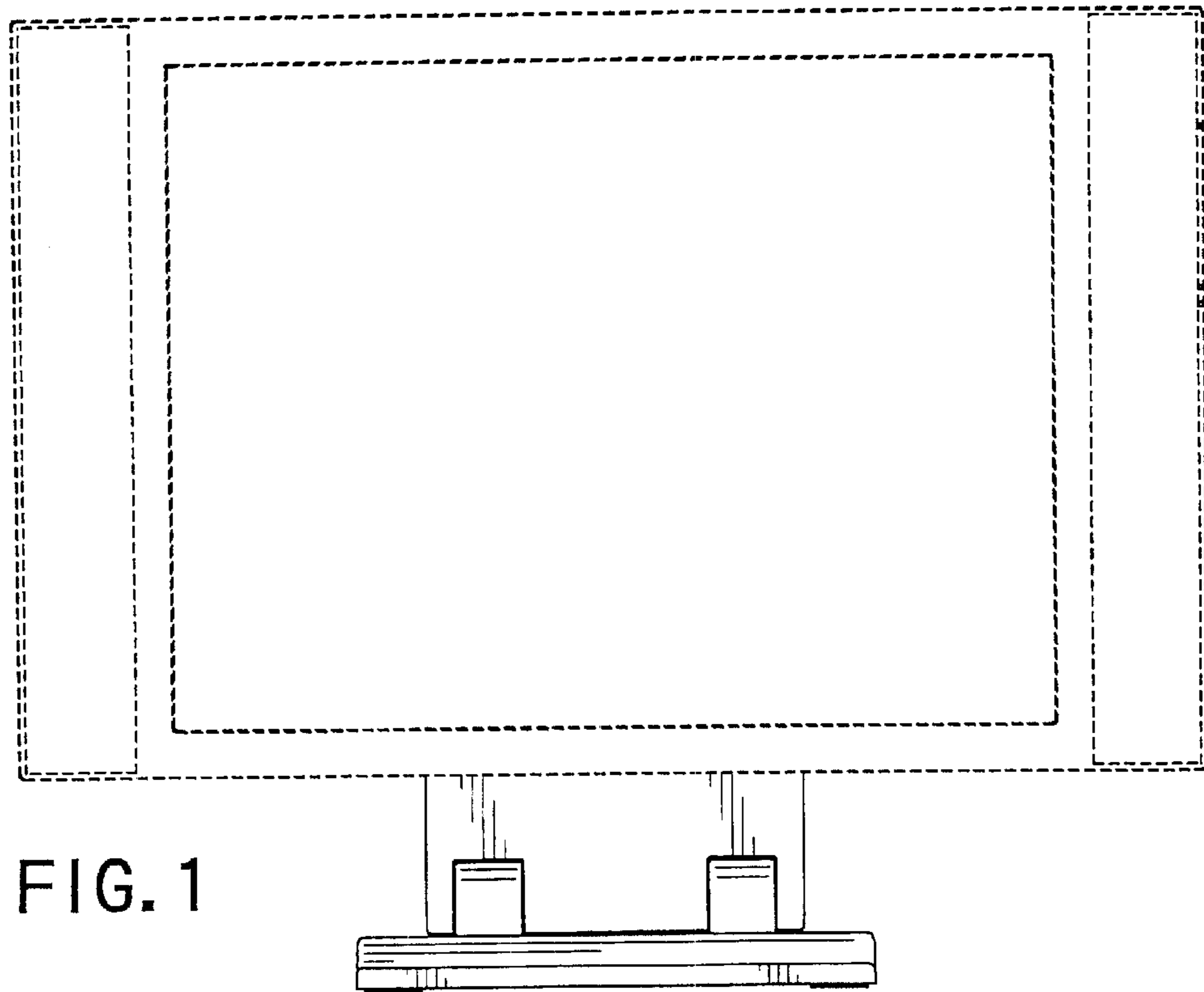


FIG. 3

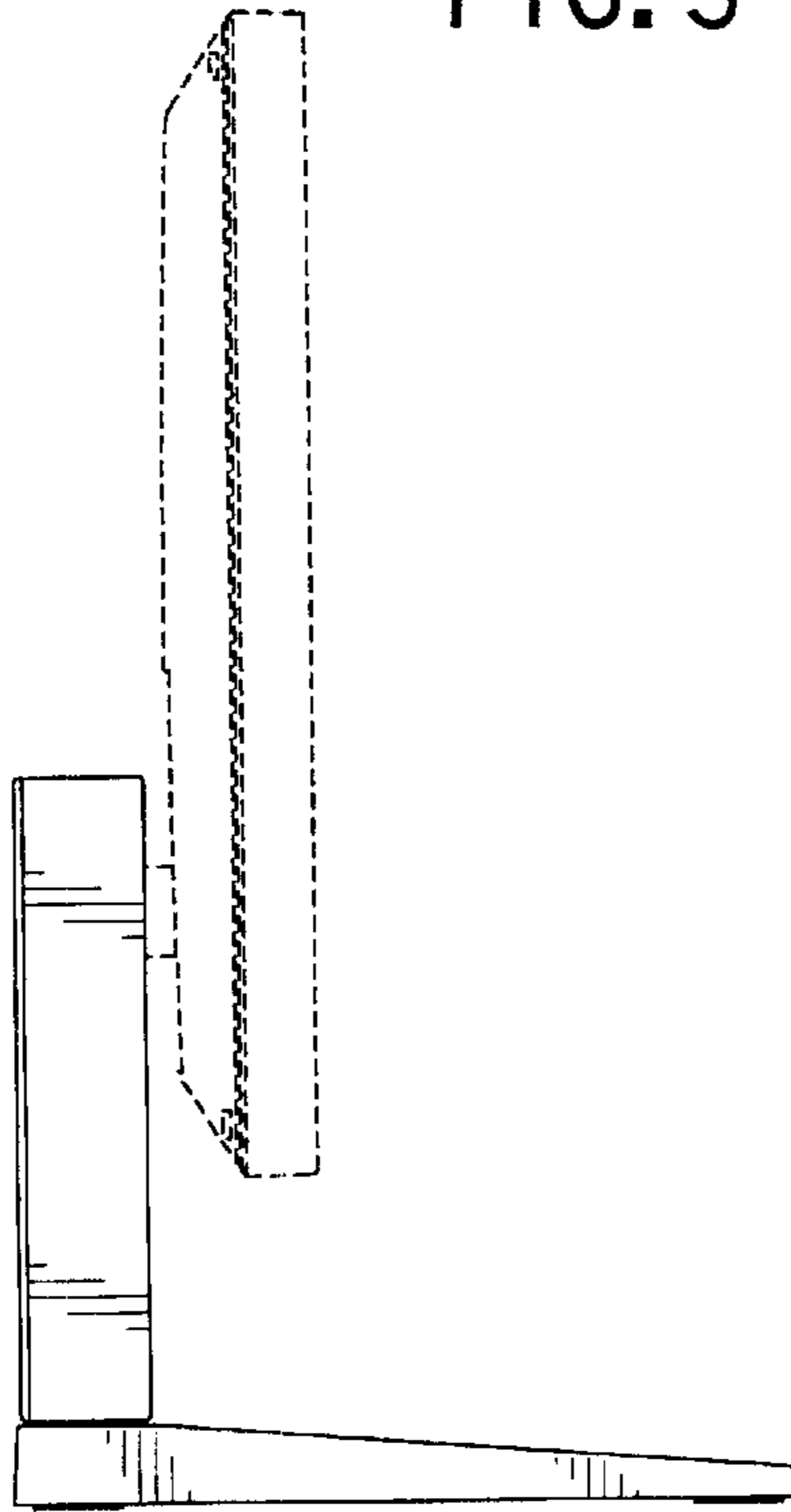


FIG. 4

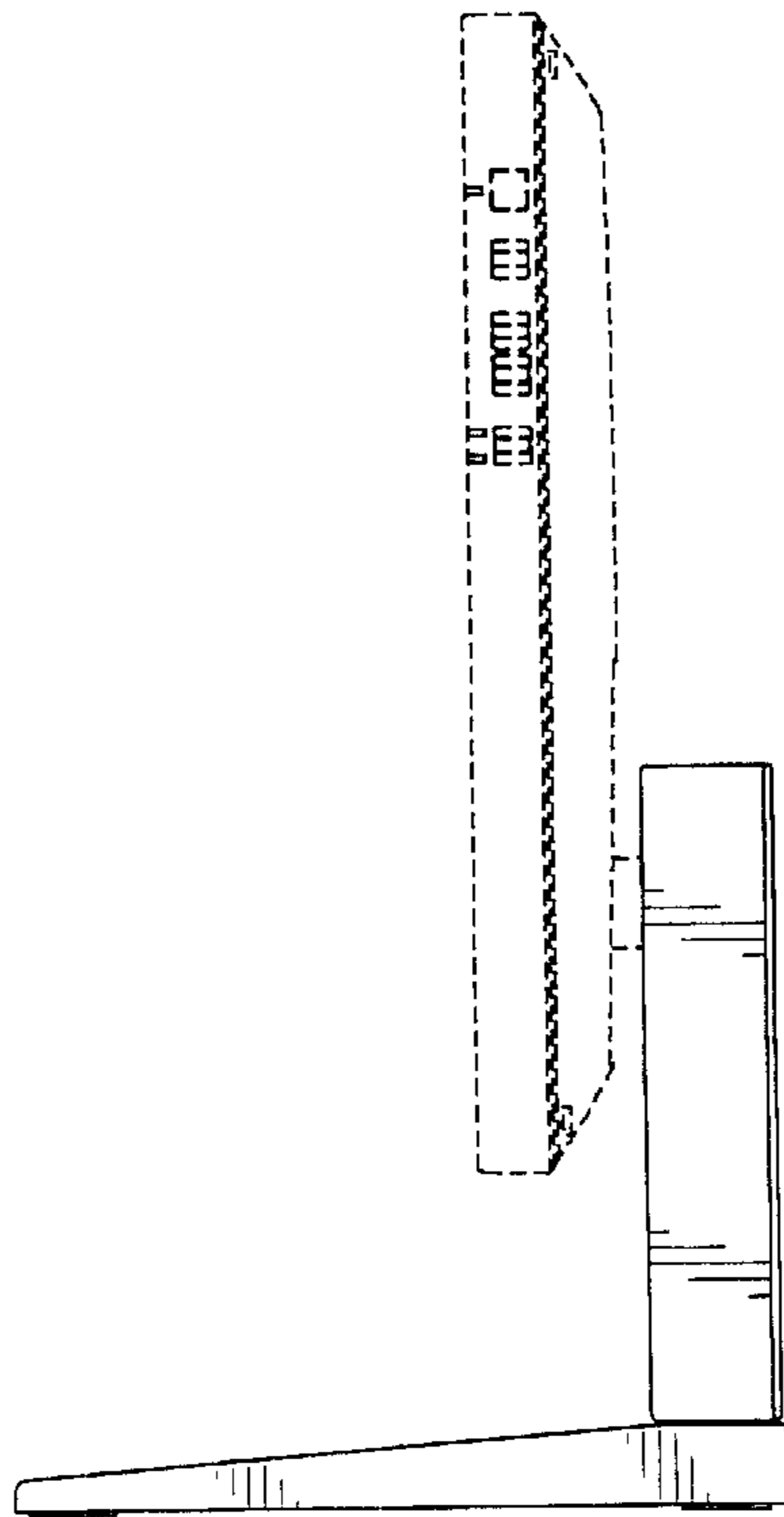


FIG. 5

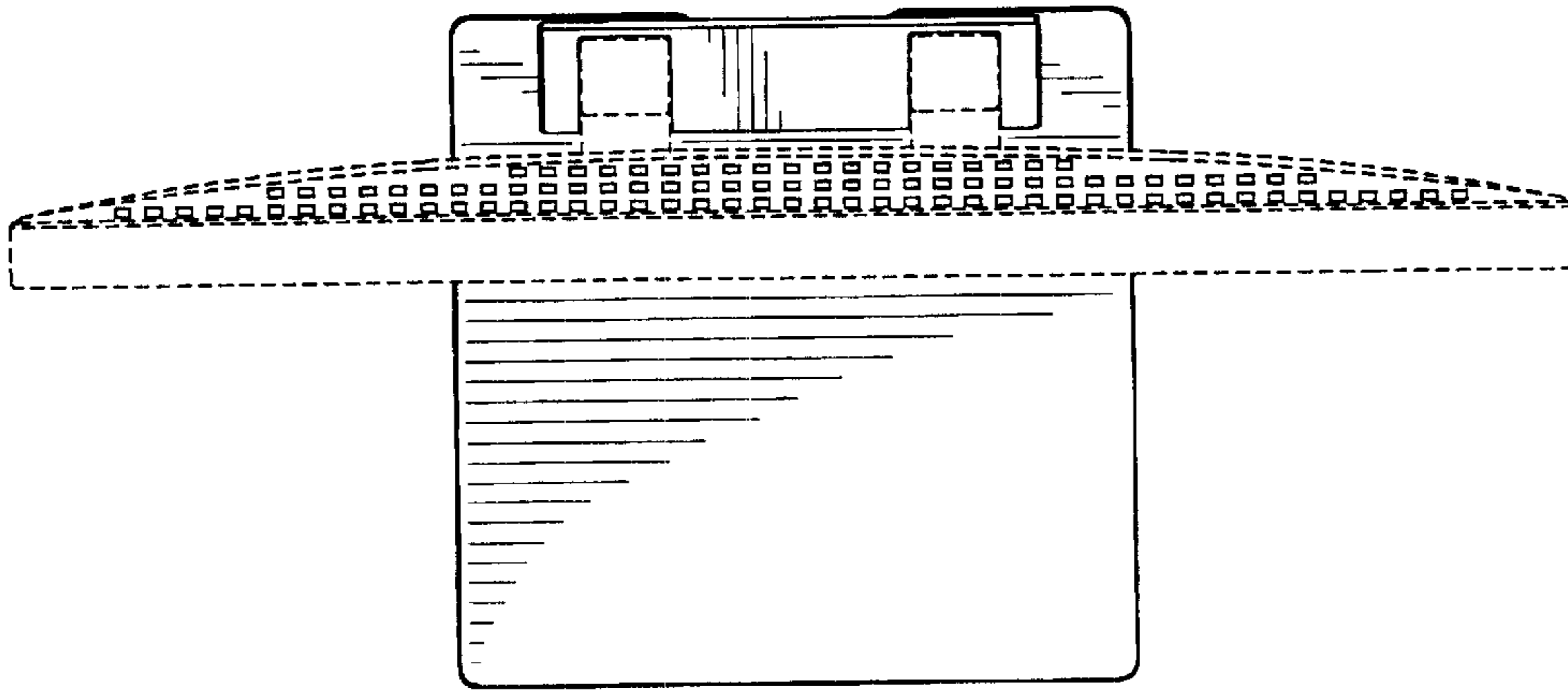


FIG. 6

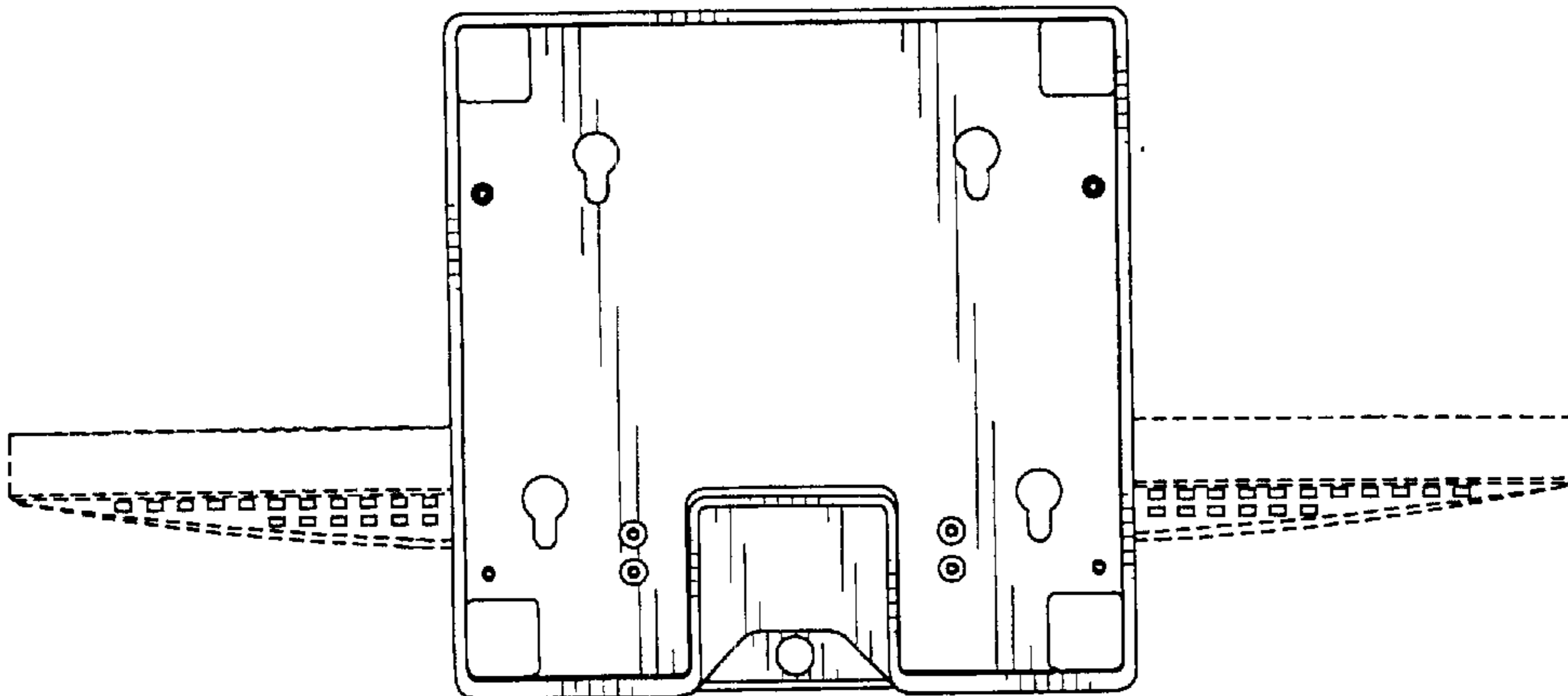


FIG. 7

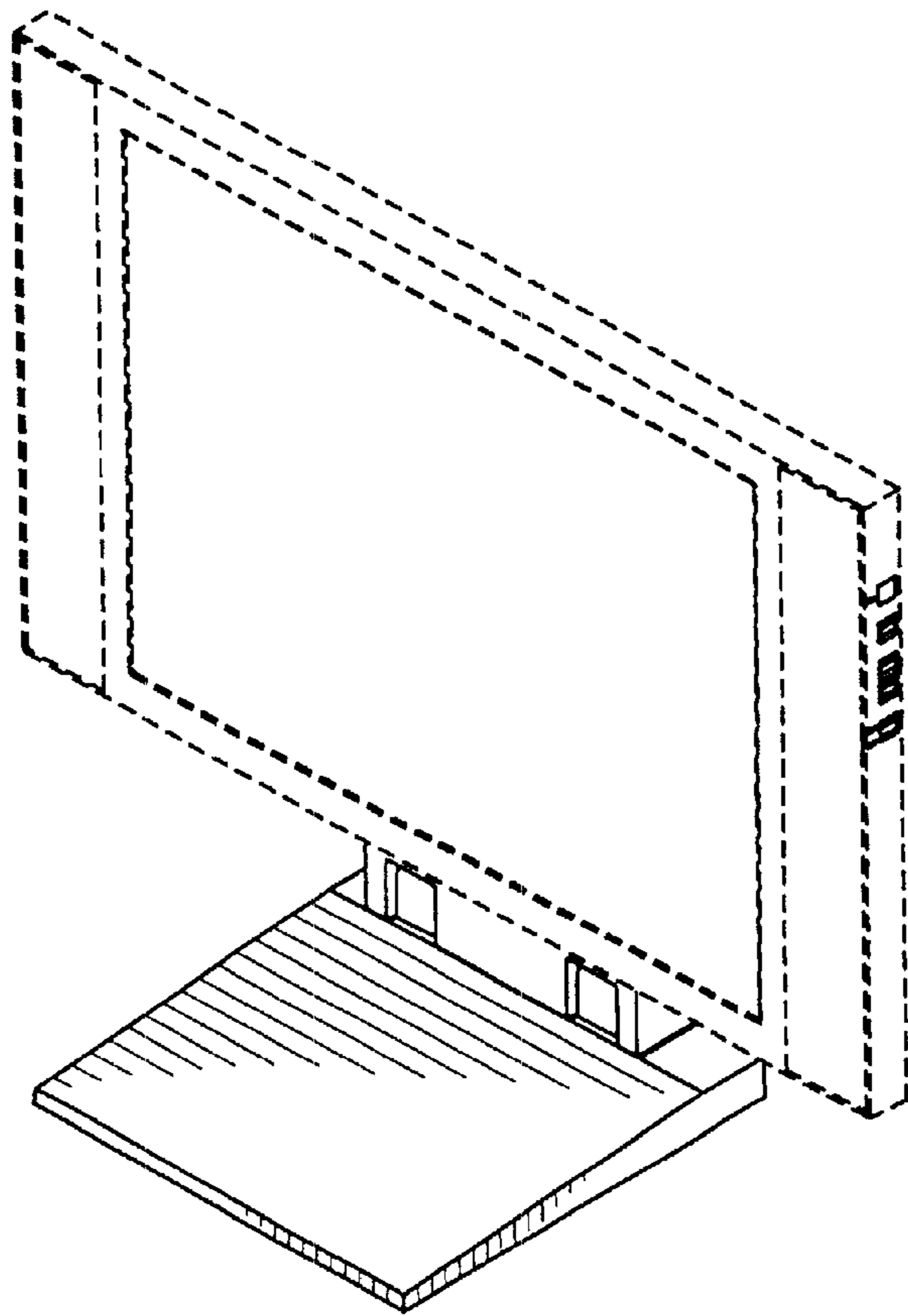
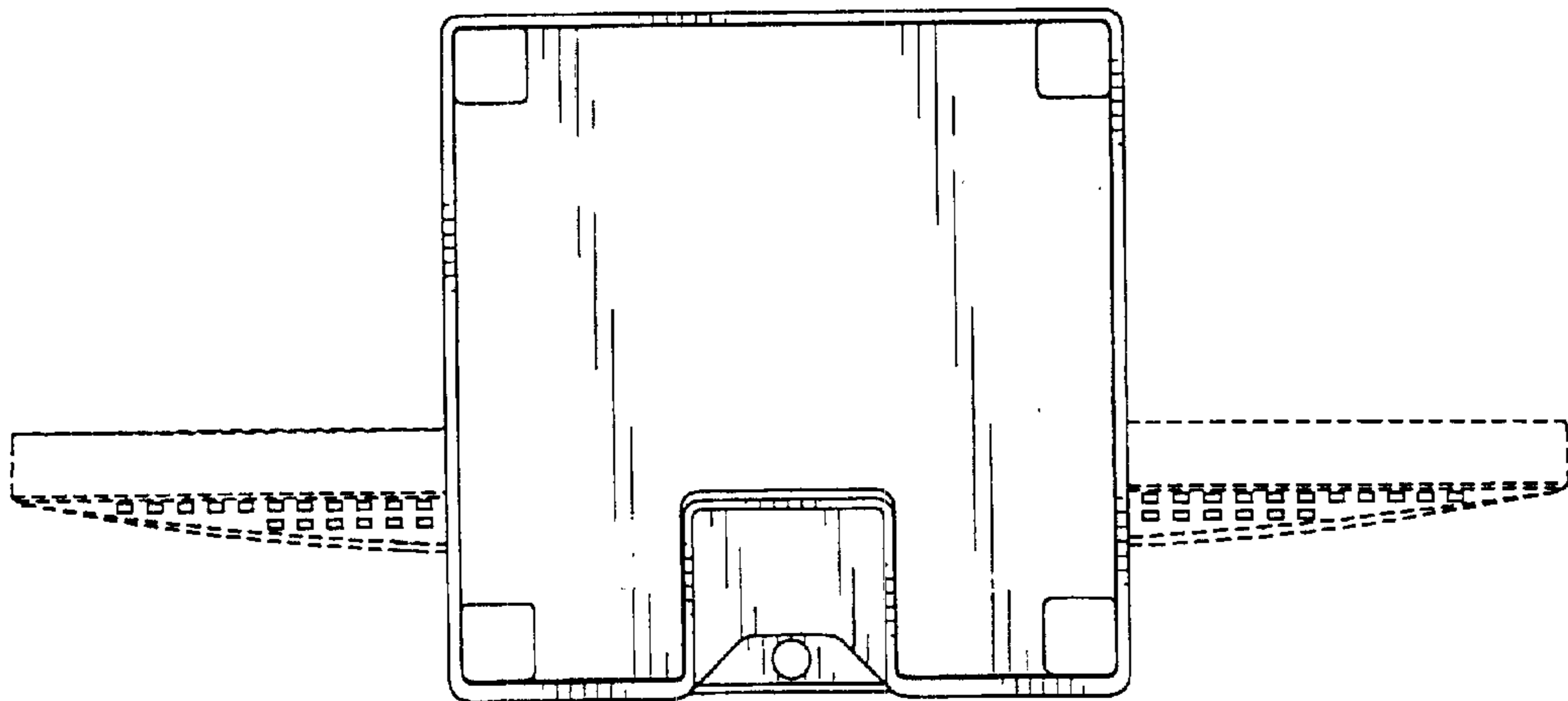


FIG. 8



UNITED STATES PATENT AND TRADEMARK OFFICE
CERTIFICATE OF CORRECTION

PATENT NO. : Des. 459,729 S
DATED : July 2, 2002
INVENTOR(S) : Teiyu Goto

Page 1 of 1

It is certified that error appears in the above-identified patent and that said Letters Patent is hereby corrected as shown below:

Title Page,

Item [73], Assignee, should read -- **Sony Computer Entertainment Inc., Tokyo (JP)** --

Signed and Sealed this

Twenty-seventh Day of May, 2003

A handwritten signature in black ink, appearing to read "James E. Rogan", written over a horizontal line.

JAMES E. ROGAN
Director of the United States Patent and Trademark Office