



US00D459728S

(12) **United States Design Patent**  
**Roberts et al.**

(10) **Patent No.:** **US D459,728 S**

(45) **Date of Patent:** **\*\* Jul. 2, 2002**

(54) **OPTICAL READER DEVICE**

(75) Inventors: **Clayton Roberts**, Tully; **Melvin D. McCall**, Homer; **Scott W. Osiecki**, Skaneateles, all of NY (US); **Gregg Harvey**, Louisville, CO (US); **Craig Whitaker**, Fairfield, OH (US)

(73) Assignee: **Hand Held Products, Inc.**, Skaneateles Falls, NY (US)

(\*\*) Term: **14 Years**

(21) Appl. No.: **29/141,728**

(22) Filed: **May 11, 2001**

**Related U.S. Application Data**

(63) Continuation of application No. 09/658,811, filed on Sep. 11, 2000, and application No. 09/704,017, filed on Nov. 1, 2000, which is a continuation of application No. 09/111,583, filed on Jul. 8, 1998, now Pat. No. 6,164,544, said application No. 09/658,811, is a continuation of application No. 09/111,476, filed on Jul. 8, 1998, now Pat. No. 6,119,939.

(51) **LOC (7) Cl.** ..... **14-02**

(52) **U.S. Cl.** ..... **D14/428**

(58) **Field of Search** ..... D14/420, 426-431; 235/462.01, 454, 470, 468, 472.01, 455, 472, 440; 382/312-315, 318, 319, 321; 250/203.1, 216; D26/37, 45, 50

(56) **References Cited**

**U.S. PATENT DOCUMENTS**

D362,435 S	*	9/1995	Charych et al. ....	D14/428
D400,199 S	*	10/1998	Fitch et al. ....	D14/428
D414,171 S	*	9/1999	Swift et al. ....	D14/428
D446,524 S	*	8/2001	Bontly et al. ....	D14/426

\* cited by examiner

*Primary Examiner*—Kay H. Chin

(74) *Attorney, Agent, or Firm*—Wall Marjama & Bilinski LLP

(57) **CLAIM**

The ornamental design for an optical reader device, as shown and described.

**DESCRIPTION**

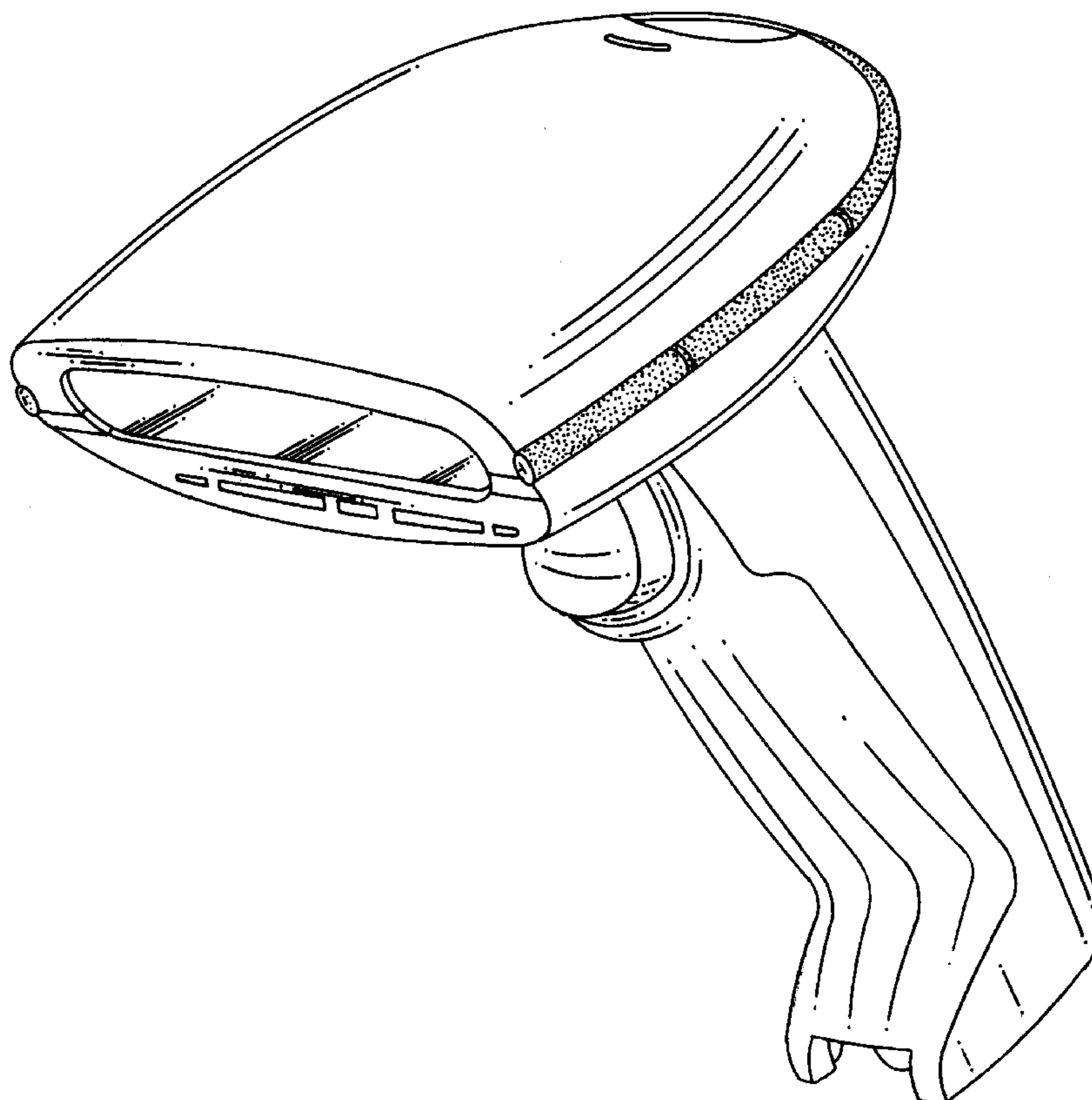
FIG. 1 is a perspective view of an optical reader device according to the invention;

FIG. 2 is a side elevational view of the optical reader device shown in FIG. 1;

FIG. 3 is a top view of an optical reader device shown in FIG. 1; and,

FIG. 4 is a front view of the optical reader device shown in FIG. 1.

**1 Claim, 3 Drawing Sheets**



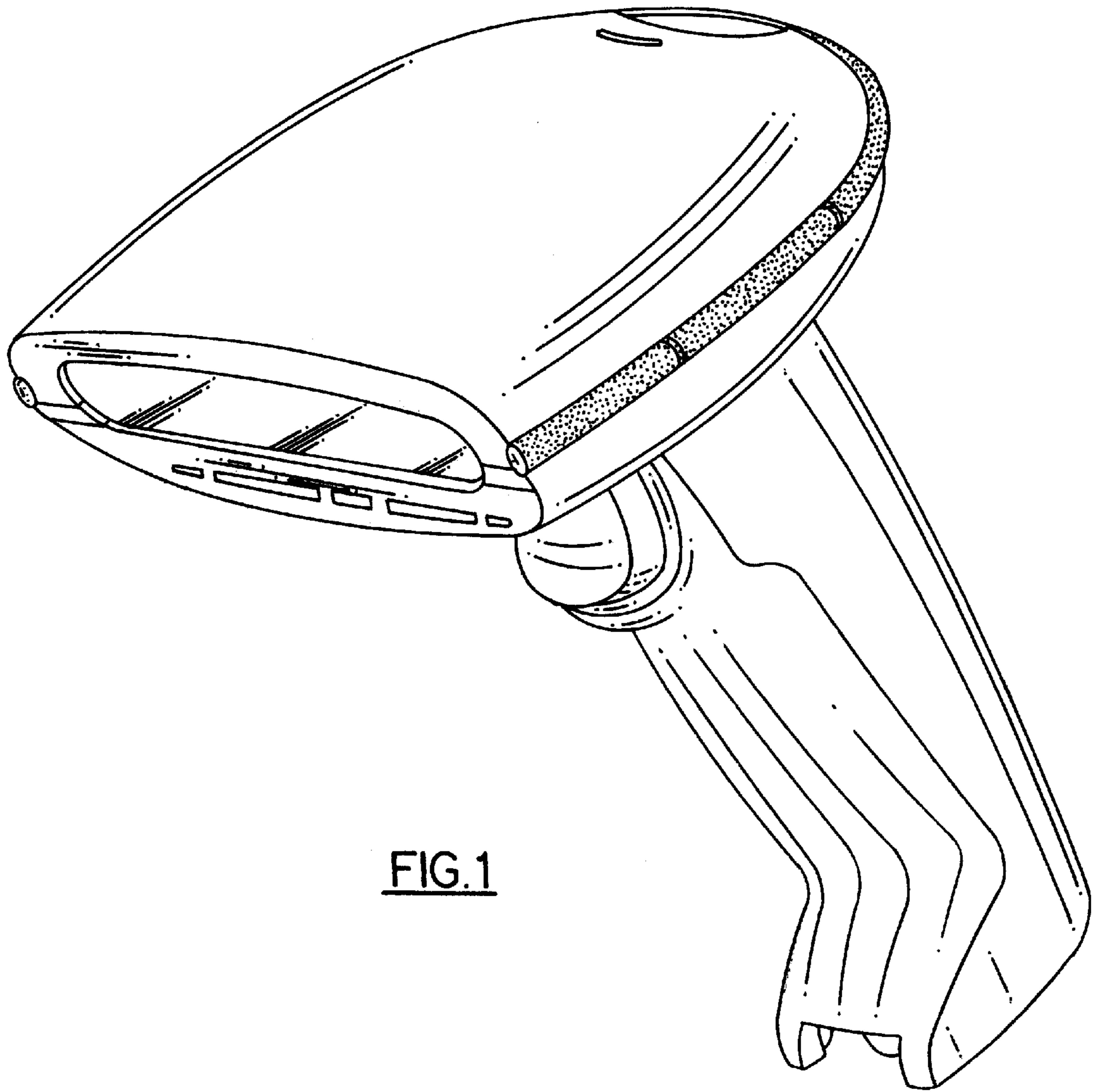


FIG. 1

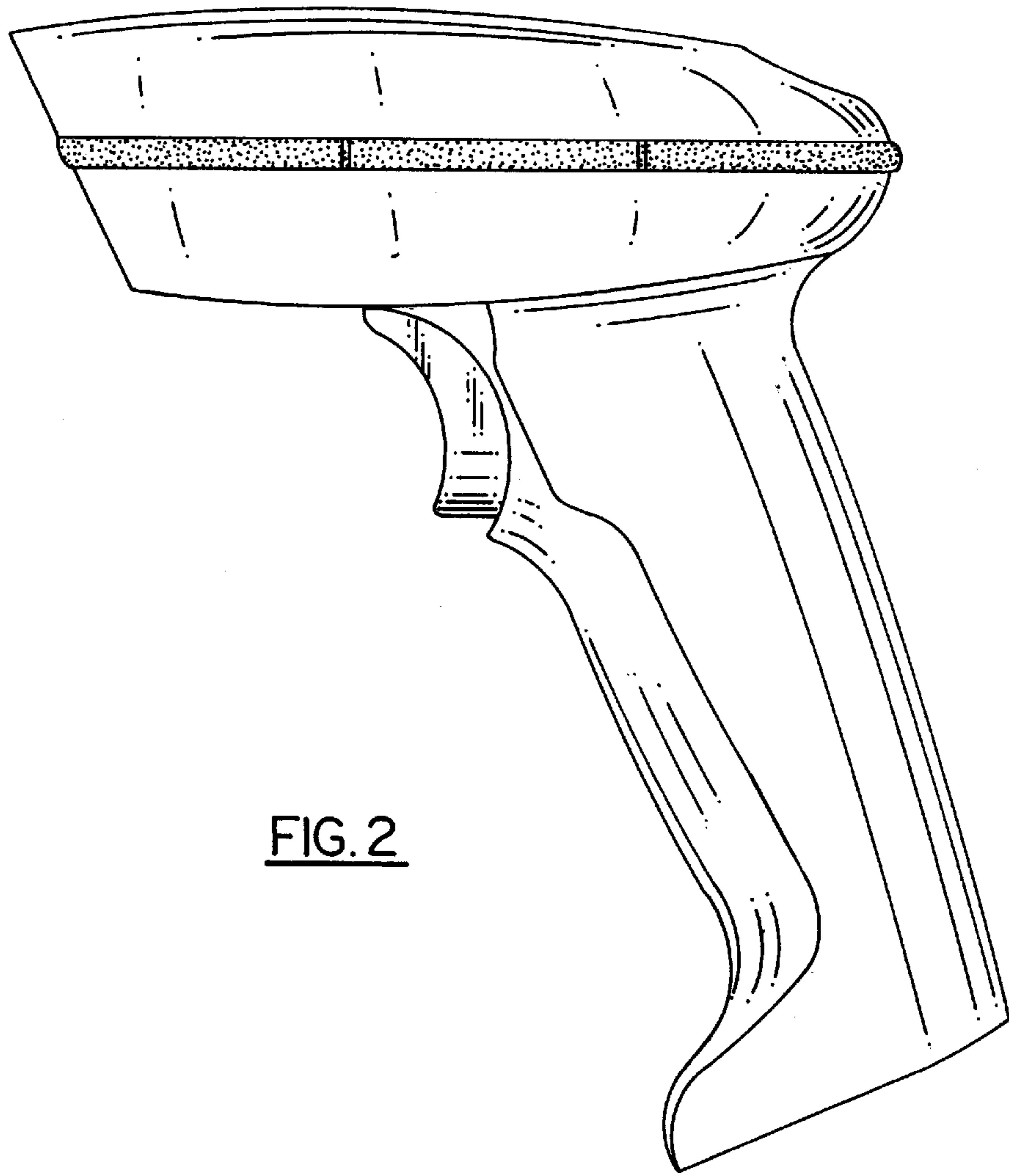


FIG. 2

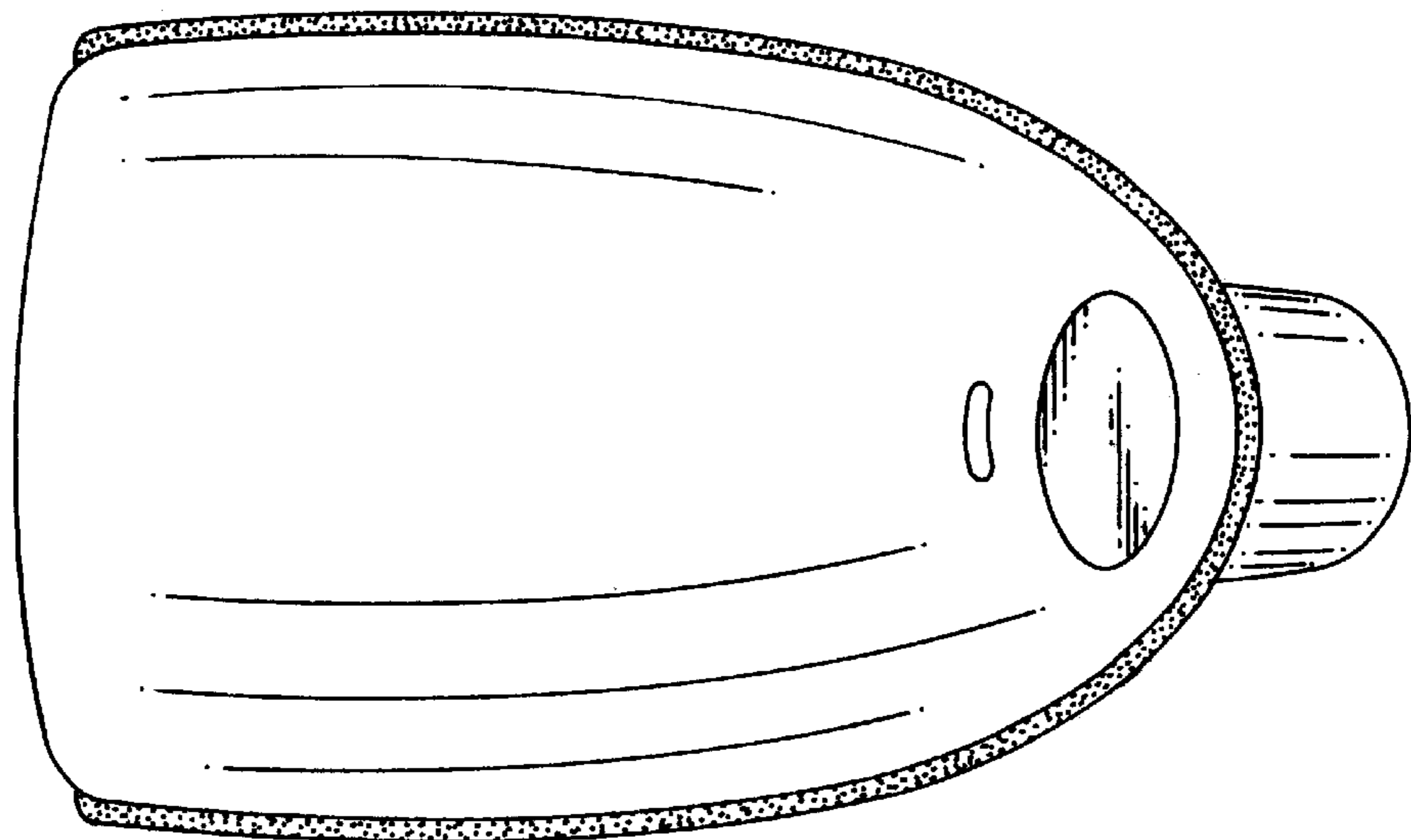


FIG. 3

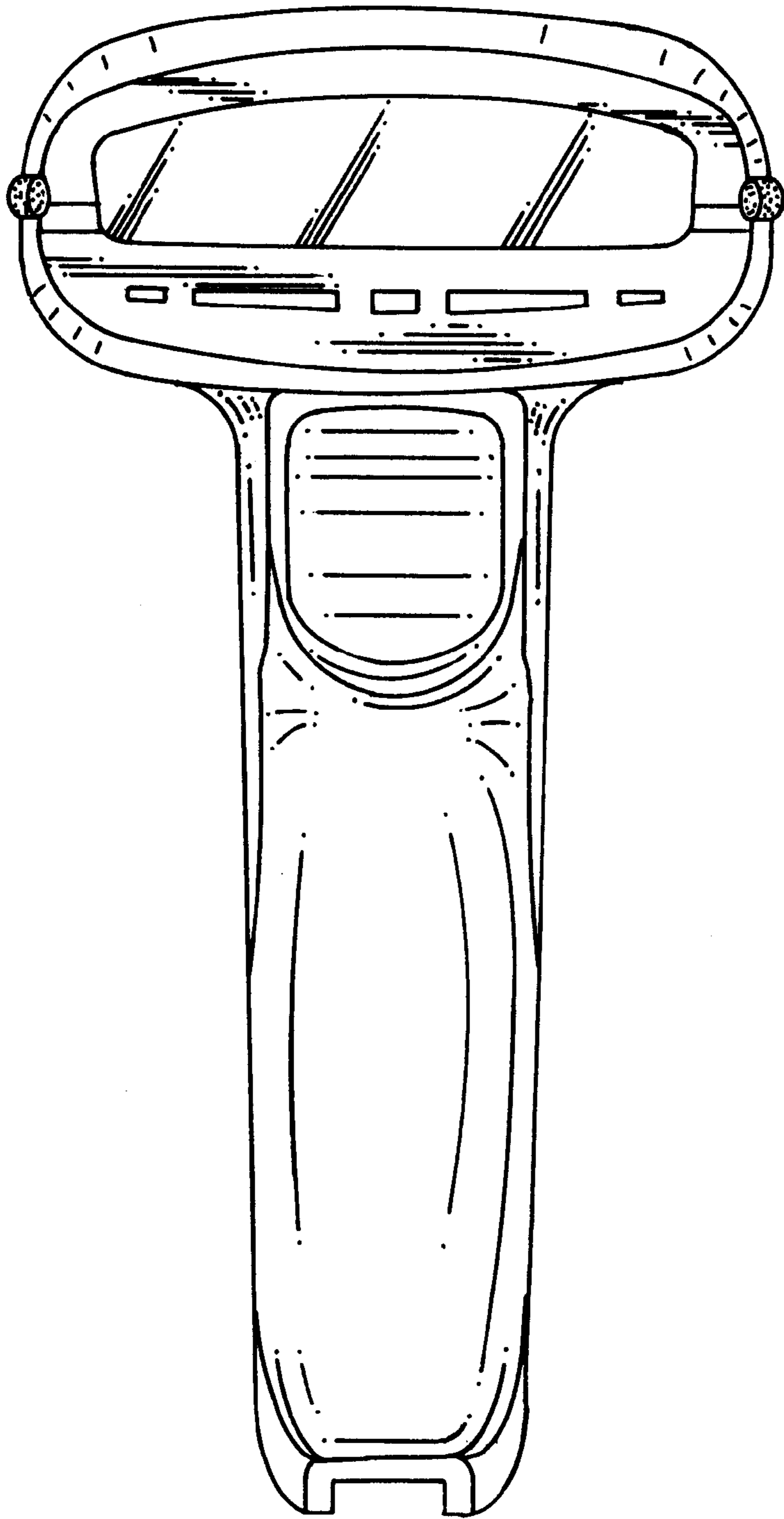


FIG. 4