



US00D459725S

(12) **United States Design Patent**  
**Lee et al.**

(10) **Patent No.:** **US D459,725 S**

(45) **Date of Patent:** **\*\* Jul. 2, 2002**

(54) **WIRELESS OPTICAL RECEIVER**

D437,596 S \* 2/2001 Matsui et al. .... D14/358  
D449,301 S \* 10/2001 Stephens et al. .... D14/358

(75) Inventors: **Zu-Nan Lee; Huei-Mon Guo; De-Hau Liu**, all of San-Chung (TW)

\* cited by examiner

(73) Assignee: **Kye Systems Corp.**, Taipei Hsien (TW)

*Primary Examiner*—Kay H. Chin

(\*\*) Term: **14 Years**

(74) *Attorney, Agent, or Firm*—Powell Goldstein Frazer & Murphy LLP

(21) Appl. No.: **29/147,866**

(57) **CLAIM**

(22) Filed: **Sep. 7, 2001**

The ornamental design for wireless optical receiver, as shown and described.

(51) **LOC (7) Cl.** ..... **14-02**

**DESCRIPTION**

(52) **U.S. Cl.** ..... **D14/358**

(58) **Field of Search** ..... D14/358, 432,  
D14/433, 299, 402–410; D13/123; 359/152,  
118, 389

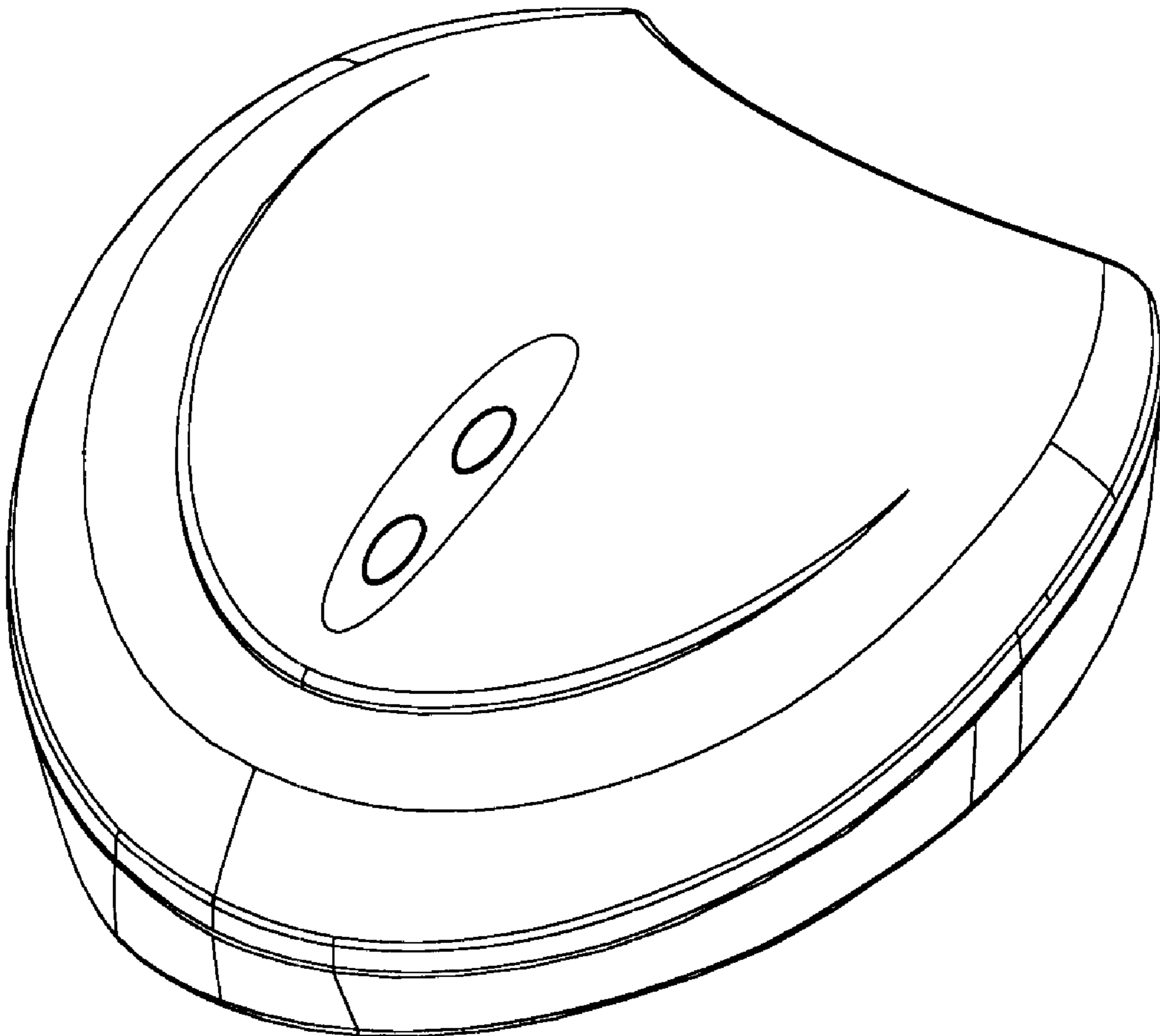
FIG. 1 is a front elevational view of a wireless optical receiver showing our new design;  
FIG. 2 is a rear elevational view thereof;  
FIG. 3 is a left elevational view thereof;  
FIG. 4 is a right elevational view thereof;  
FIG. 5 is a top plan view thereof;  
FIG. 6 is a bottom plan view thereof; and,  
FIG. 7 is a perspective view thereof.

(56) **References Cited**

**U.S. PATENT DOCUMENTS**

D375,297 S \* 11/1996 Casarez et al. .... D14/358  
D396,852 S \* 8/1998 Chao ..... D14/358

**1 Claim, 4 Drawing Sheets**



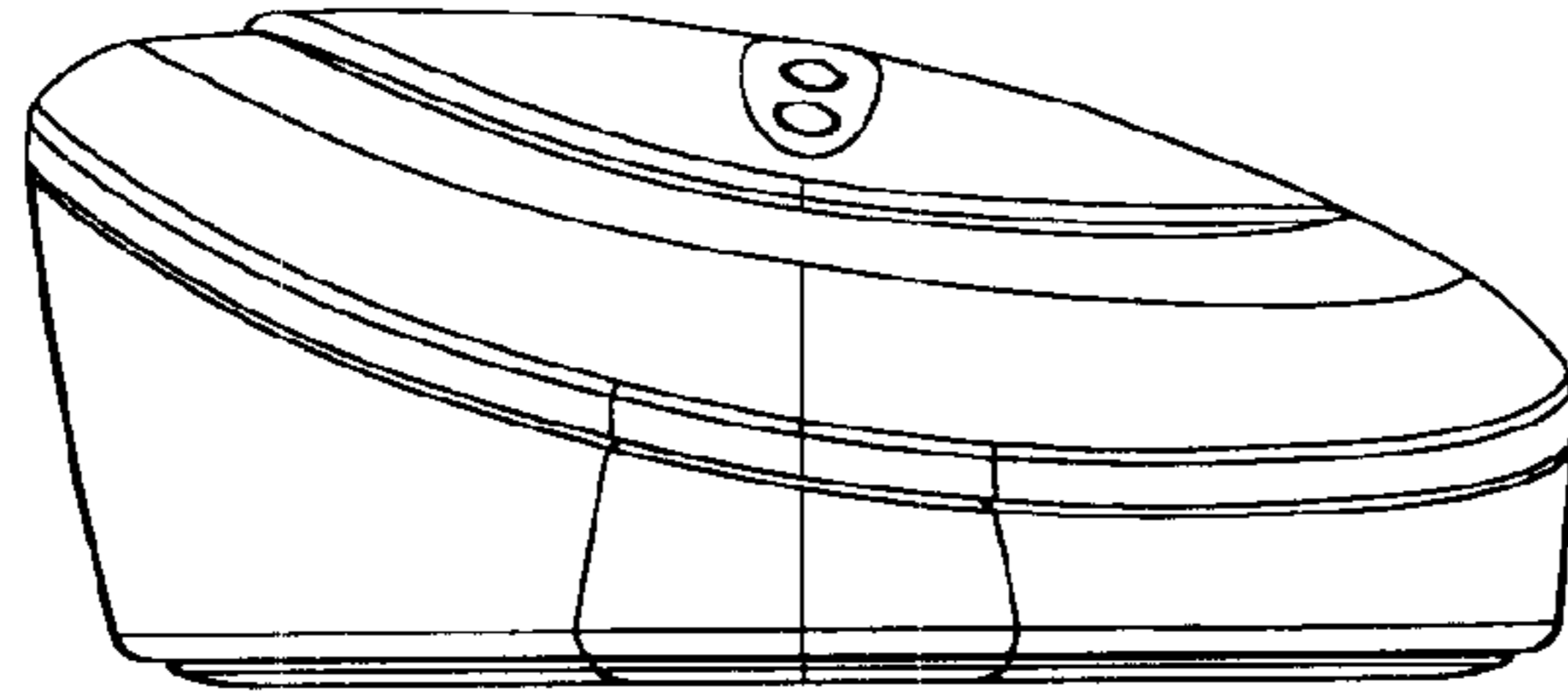


FIG. 1

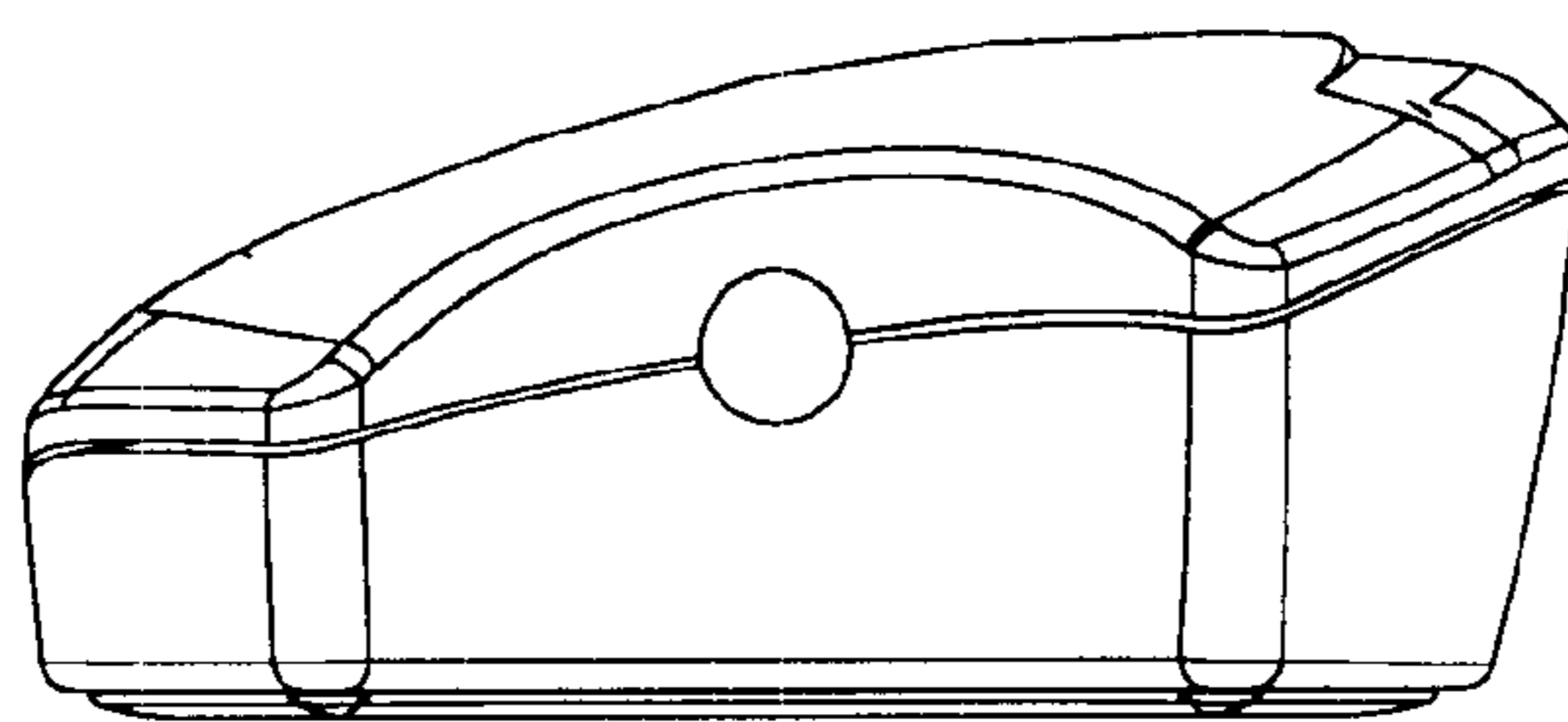


FIG. 2

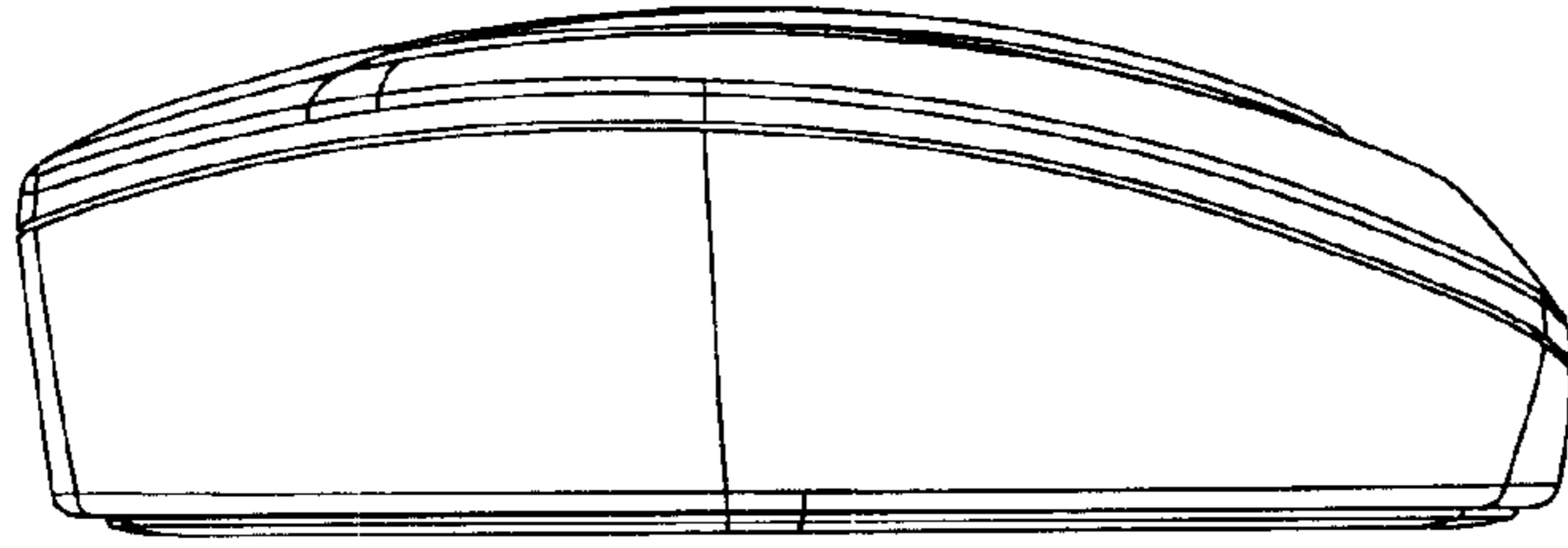


FIG. 3

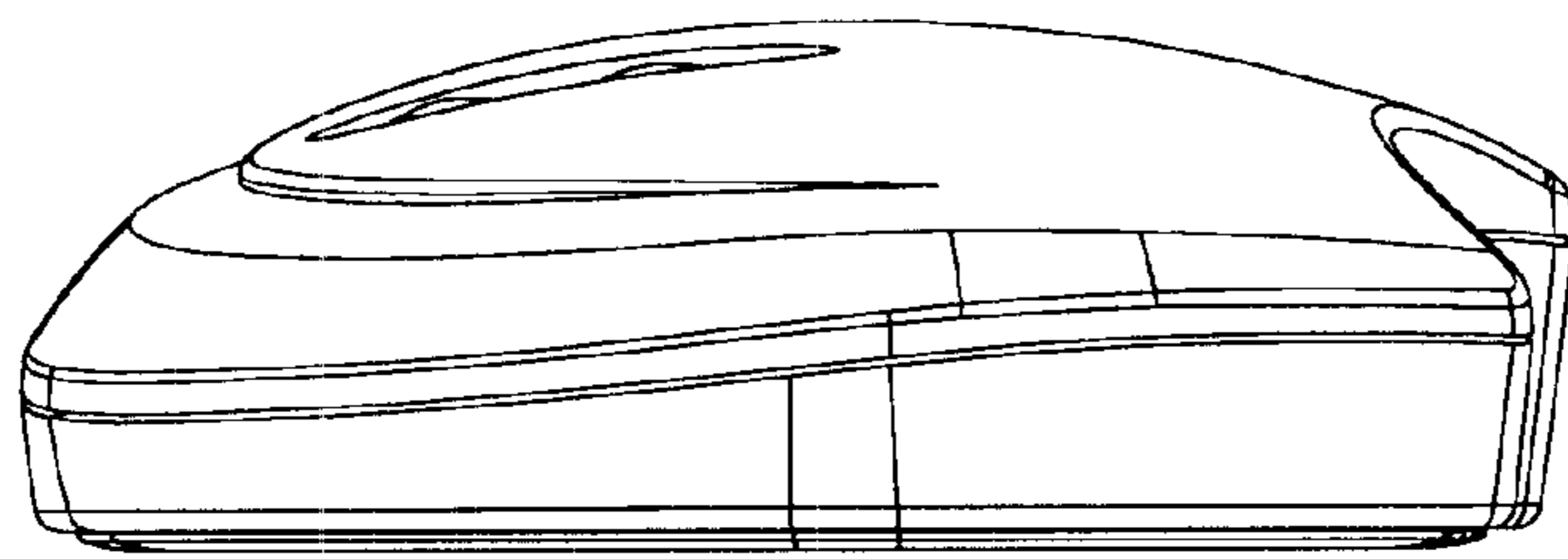


FIG. 4

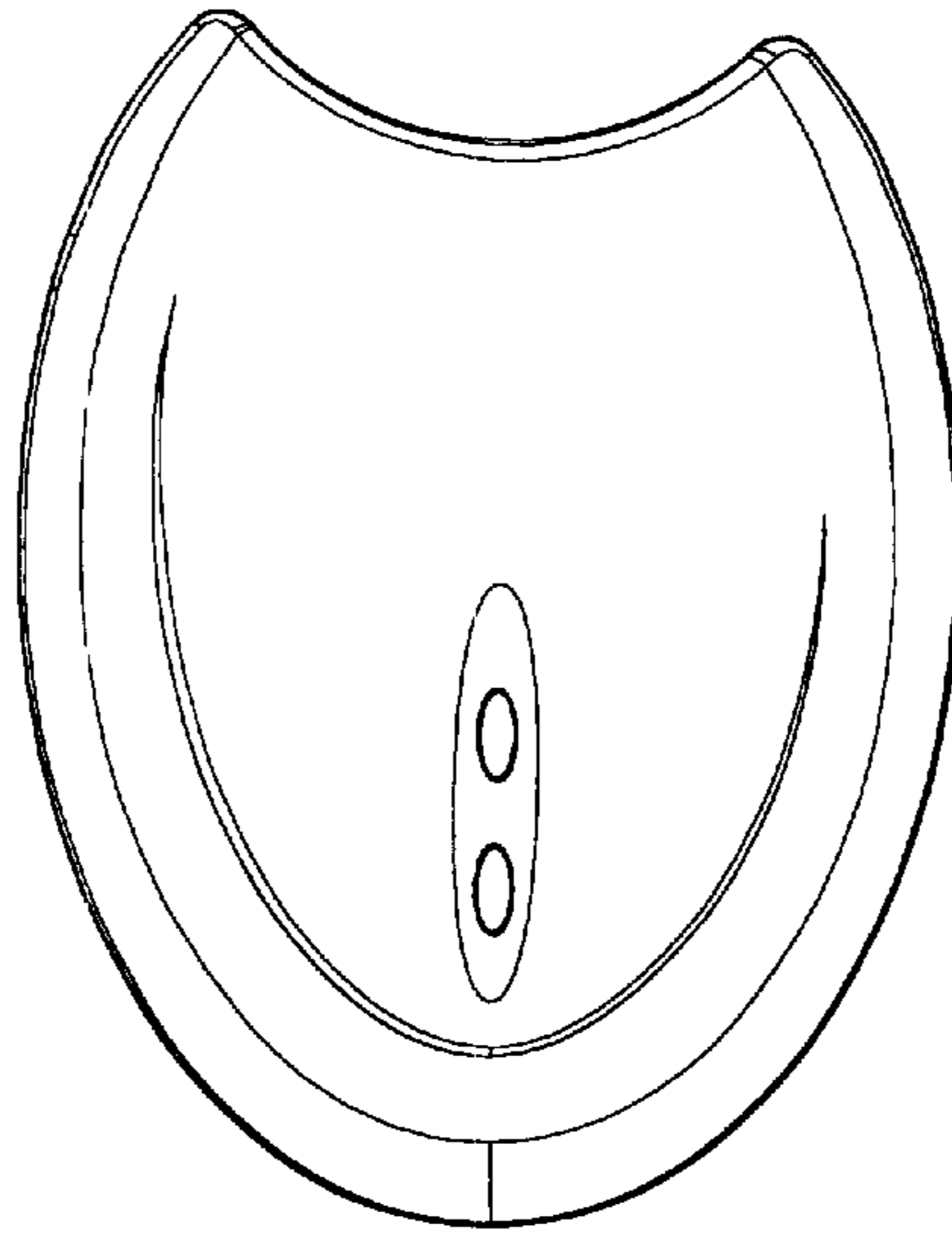


FIG. 5

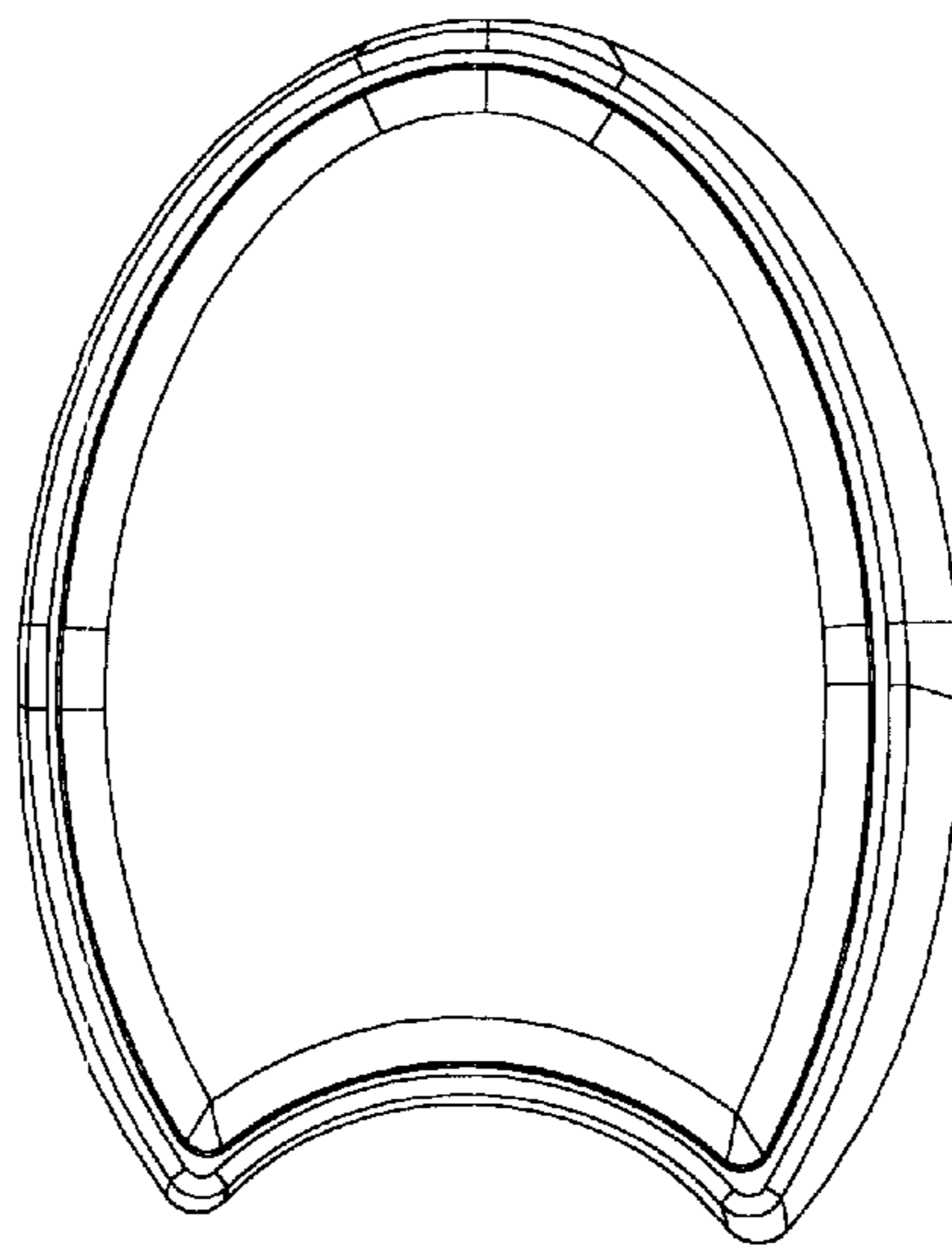


FIG. 6

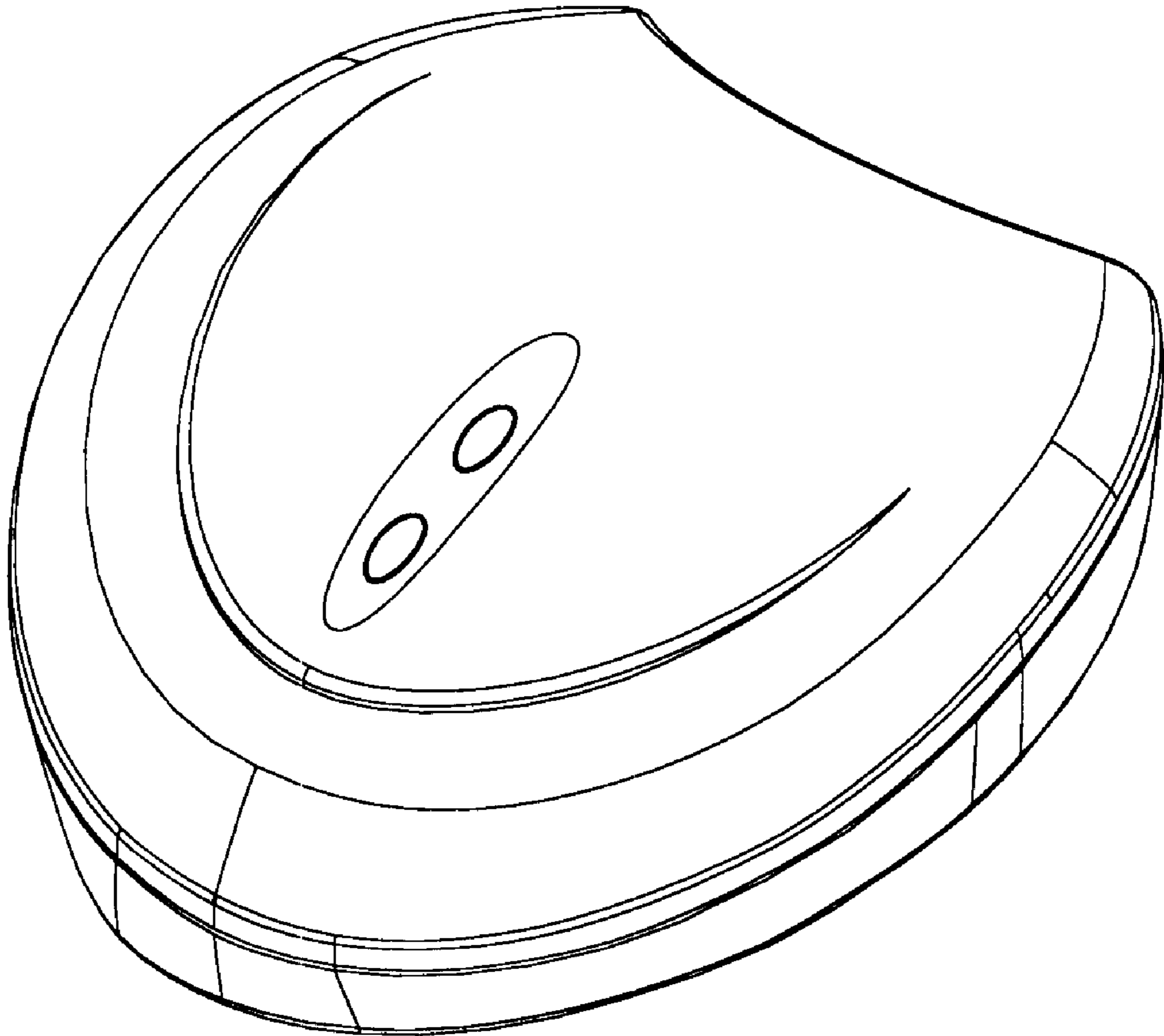


FIG. 7