



US00D459724S

(12) **United States Design Patent**
Goto

(10) **Patent No.:** **US D459,724 S**

(45) **Date of Patent:** **** Jul. 2, 2002**

(54) **INTERFACE UNIT FOR ELECTRONIC
COMPUTER**

(75) **Inventor:** **Teiyu Goto, Tokyo (JP)**

(73) **Assignee:** **Sony Computer Entertainment Inc.,
Tokyo (JP)**

(**) **Term:** **14 Years**

(21) **Appl. No.:** **29/139,262**

(22) **Filed:** **Mar. 28, 2001**

(30) **Foreign Application Priority Data**

Nov. 10, 2000 (JP) 2000-036034

(51) **LOC (7) Cl.** **14-02**

(52) **U.S. Cl.** **D14/357**

(58) **Field of Search** D14/356, 357,
D14/388, 367; D13/184, 199, 162; 360/99.01-99.12;
361/690-696, 728-736; 379/142.15

(56) **References Cited**

U.S. PATENT DOCUMENTS

D289,294 S * 4/1987 Kline et al. D14/357
D389,150 S * 1/1998 Tanaka D14/367

5,940,485 A * 8/1999 Sapra et al. 379/142.15

* cited by examiner

Primary Examiner—Freda Nunn

(74) *Attorney, Agent, or Firm*—Rader, Fishman & Grauer,
PLLC

(57) **CLAIM**

The ornamental design for an interface unit for electronic
computer, as shown and described.

DESCRIPTION

FIG. 1 is a front, right side perspective view of an interface
unit for electronic computer showing my new design;
FIG. 2 is a front, left side perspective view thereof;
FIG. 3 is a rear perspective view thereof;
FIG. 4 is a partially enlarged sectional view thereof taken
along line 4—4 of FIG. 3;
FIG. 5 is a front elevational view of the embodiment of FIG.
1;
FIG. 6 is a top plan view thereof;
FIG. 7 is a right side elevational view thereof;
FIG. 8 is a rear elevational view thereof;
FIG. 9 is a bottom plan view thereof; and,
FIG. 10 is a left side elevational view thereof.

1 Claim, 10 Drawing Sheets

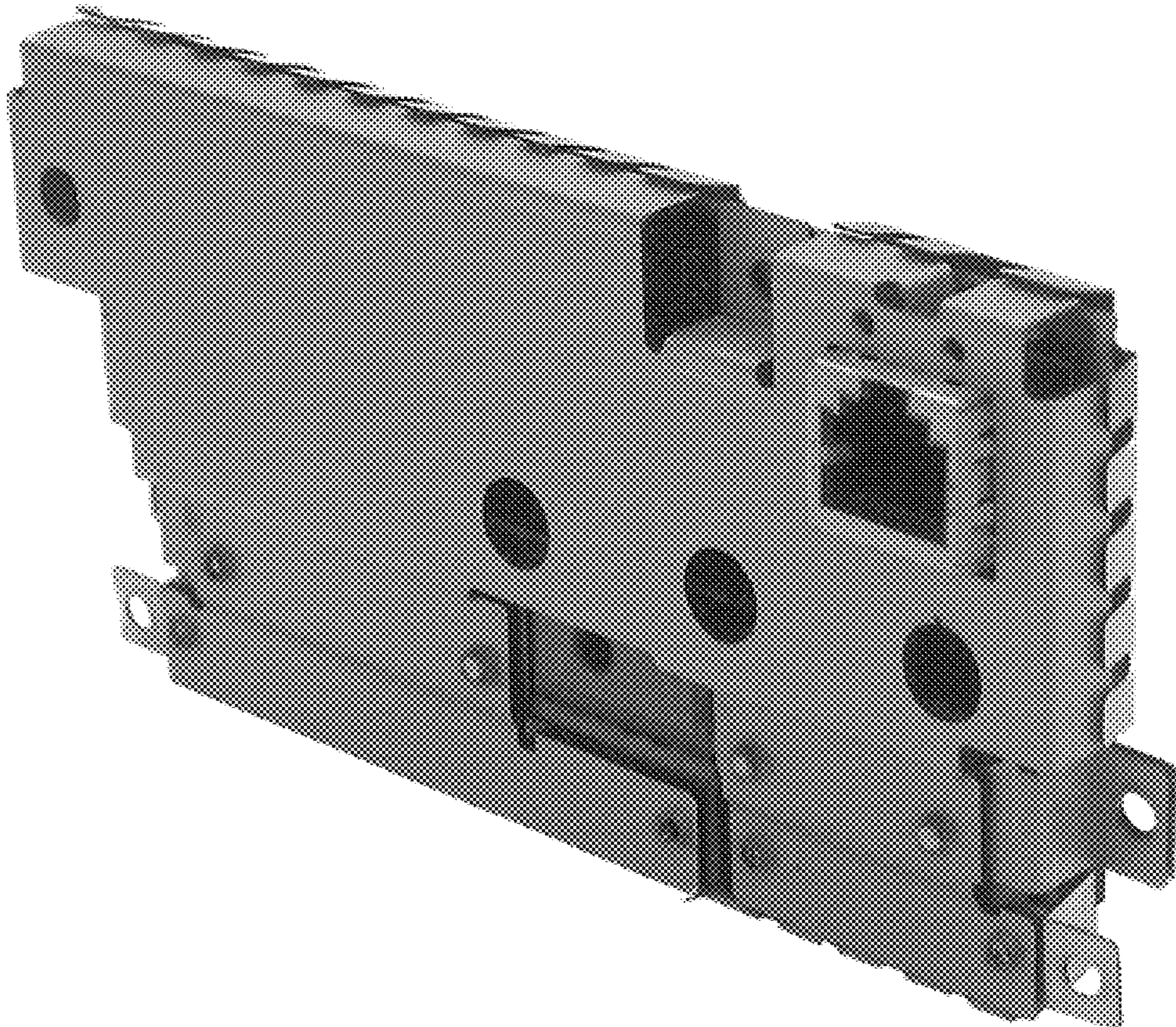


FIG. 1

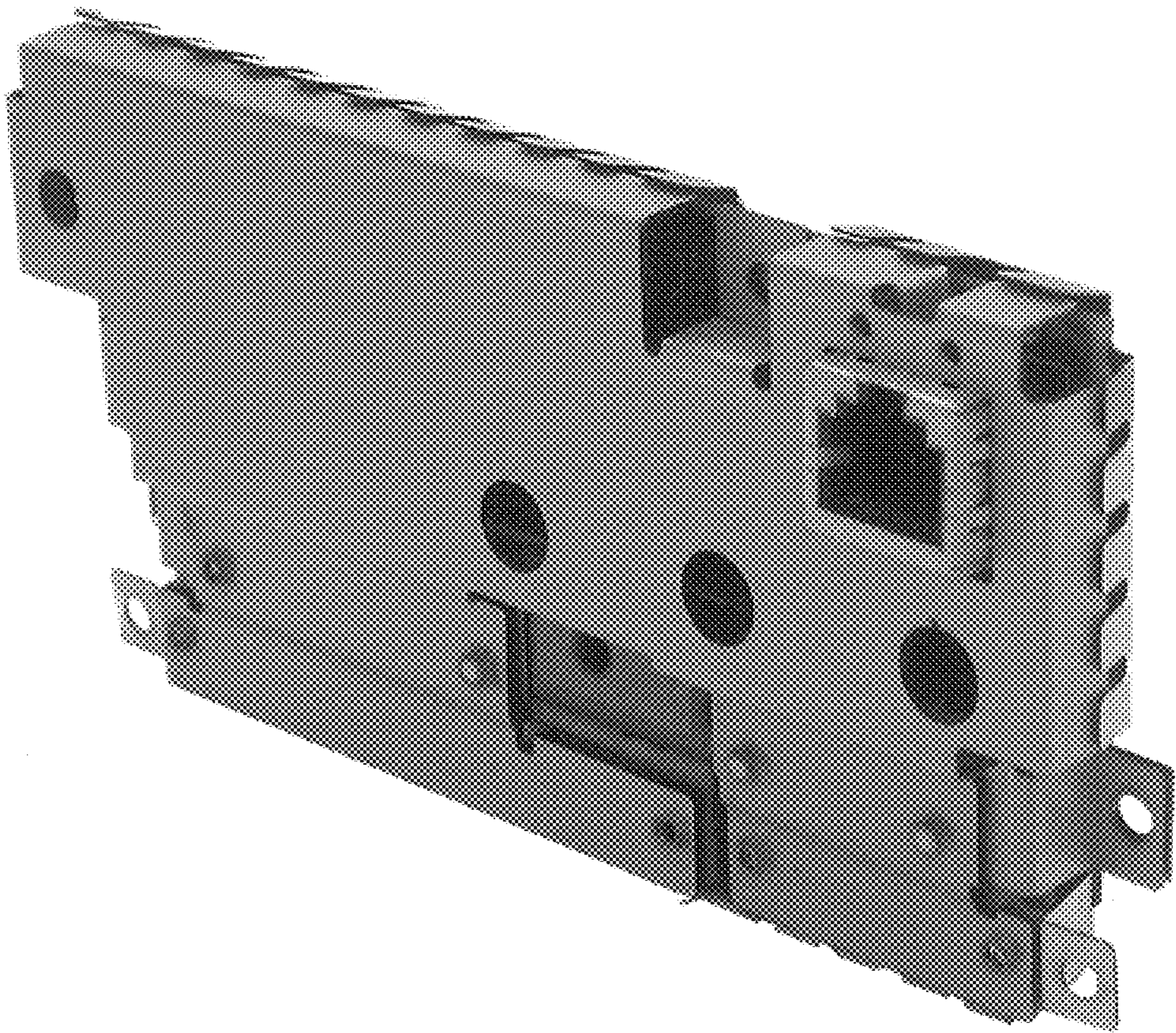


FIG. 2

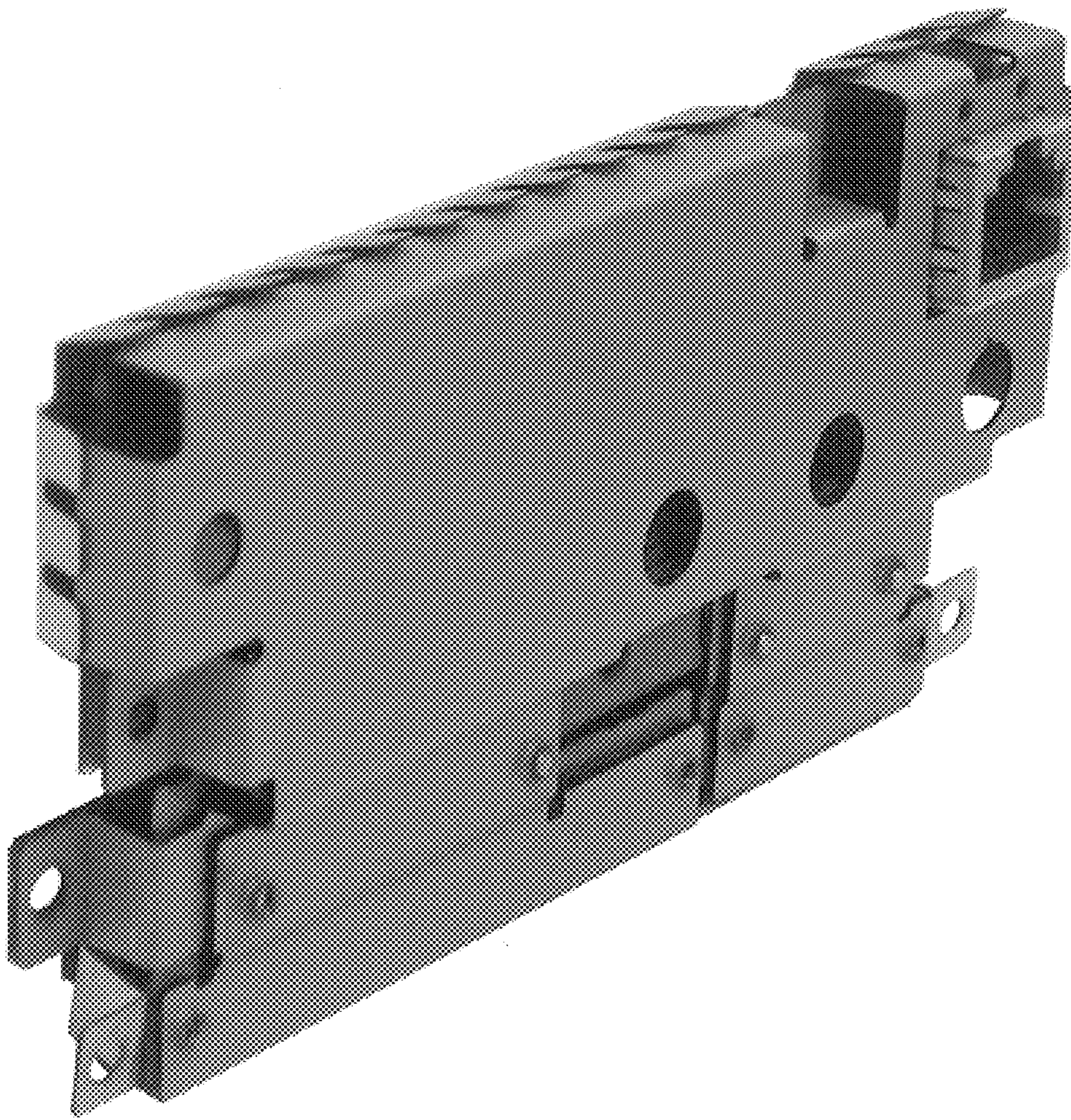


FIG. 3

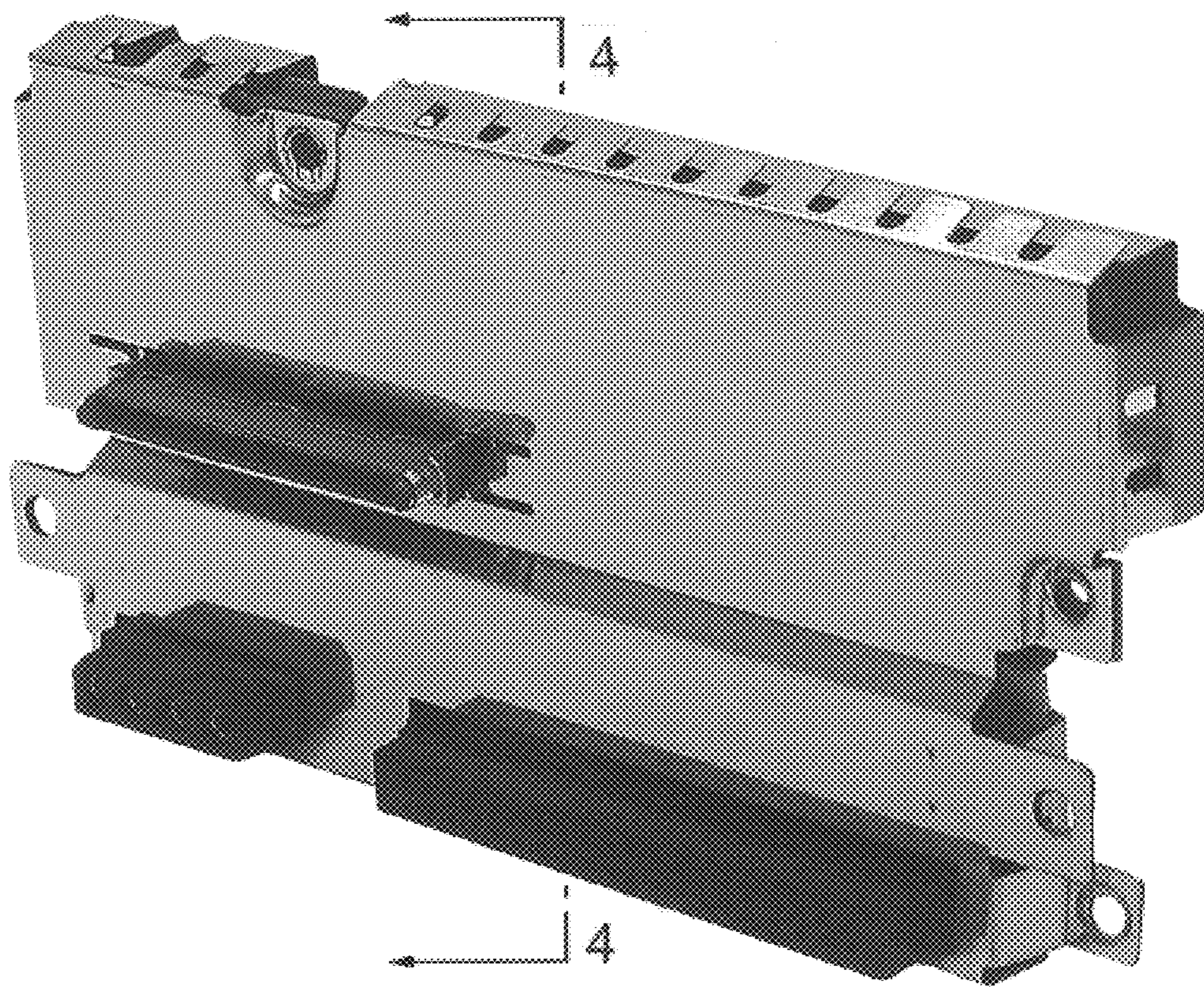


FIG. 4

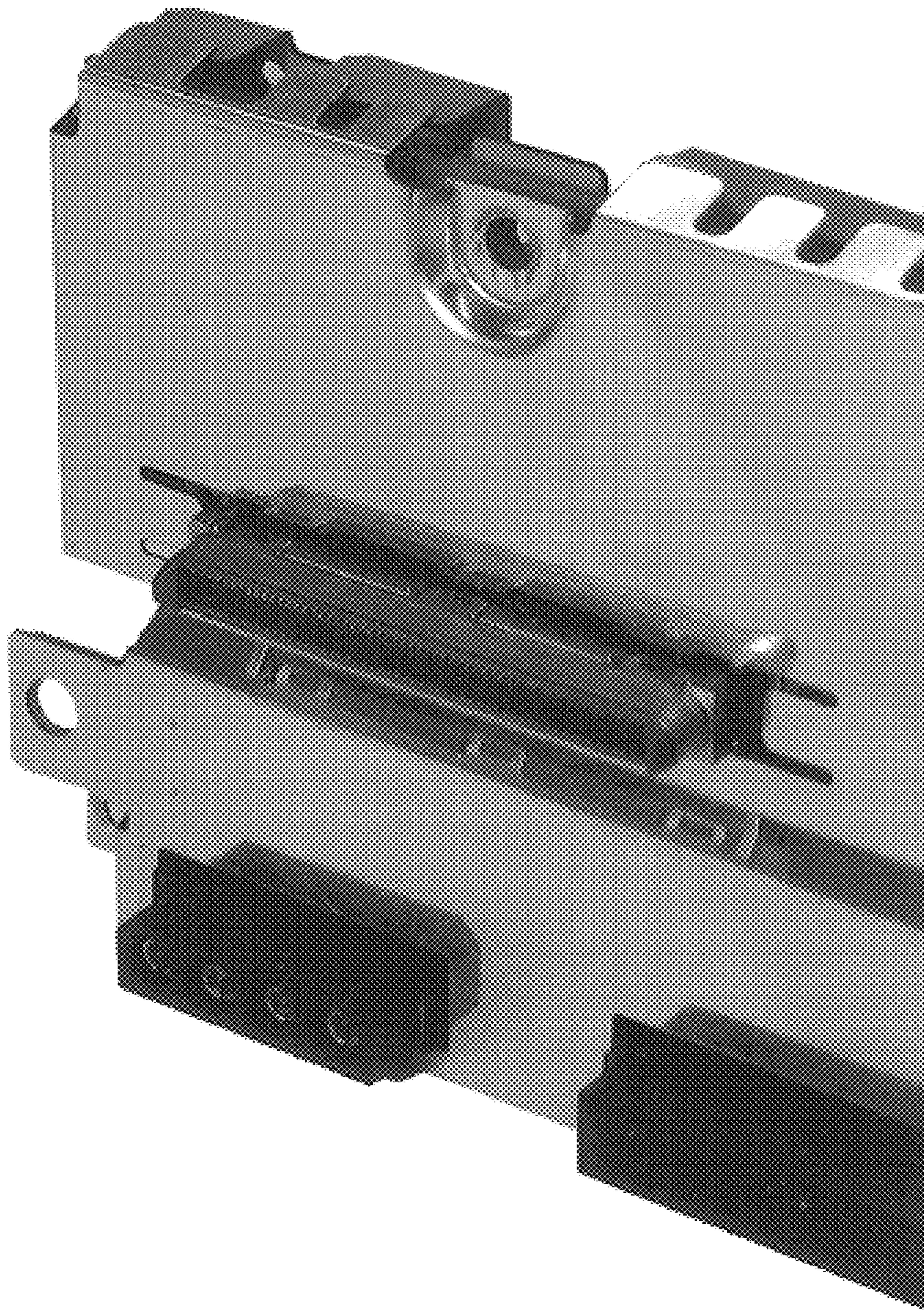


FIG. 5

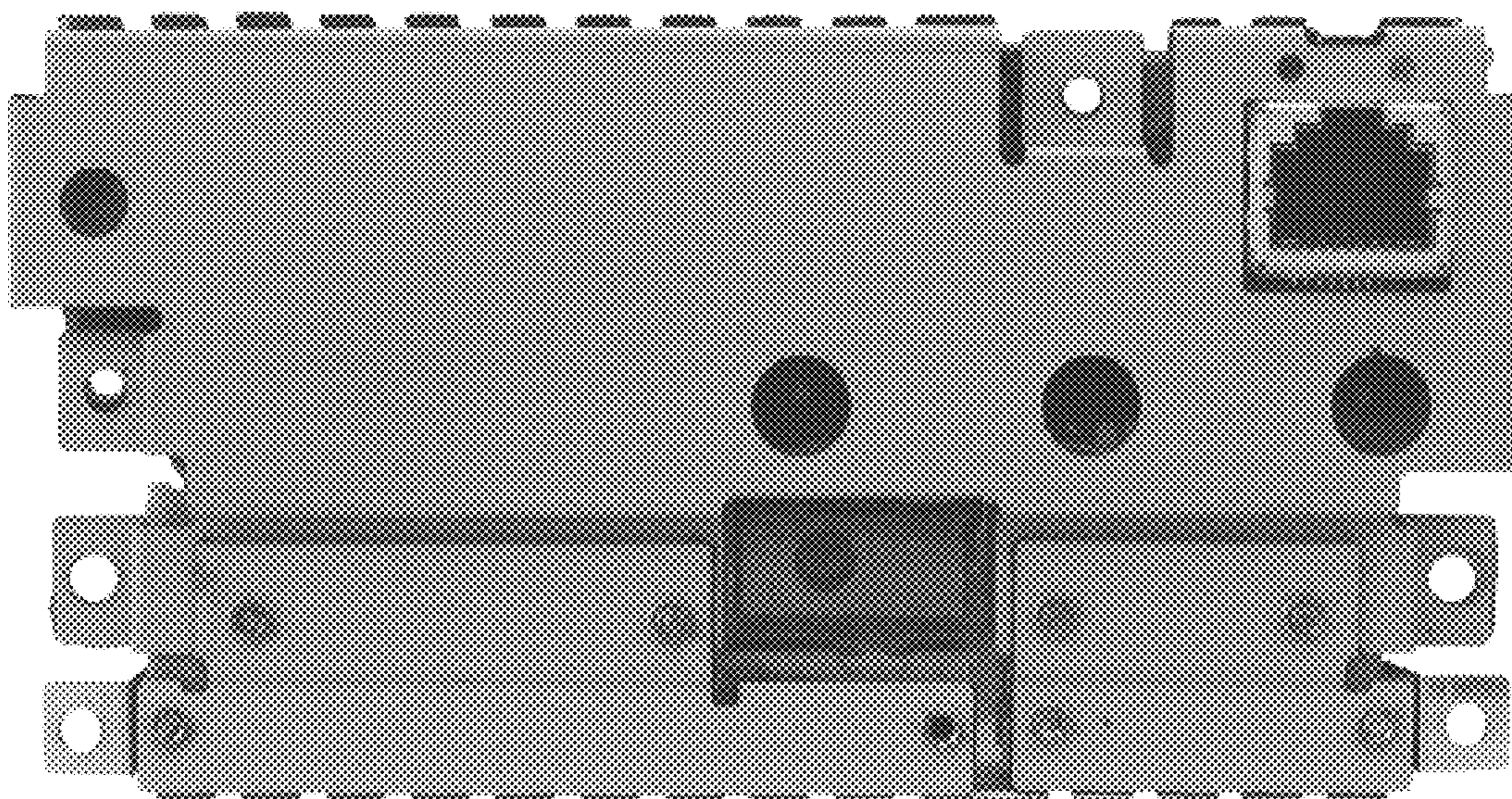


FIG. 6

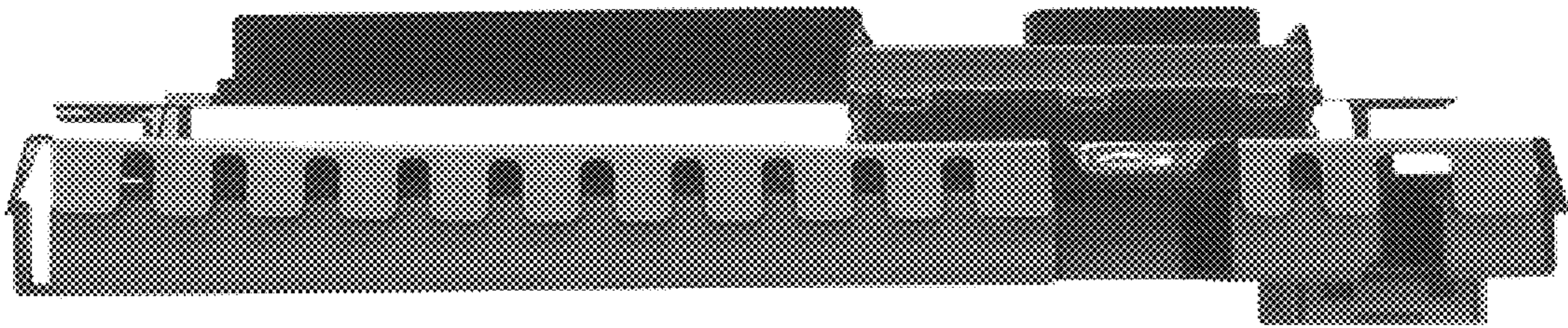


FIG. 7

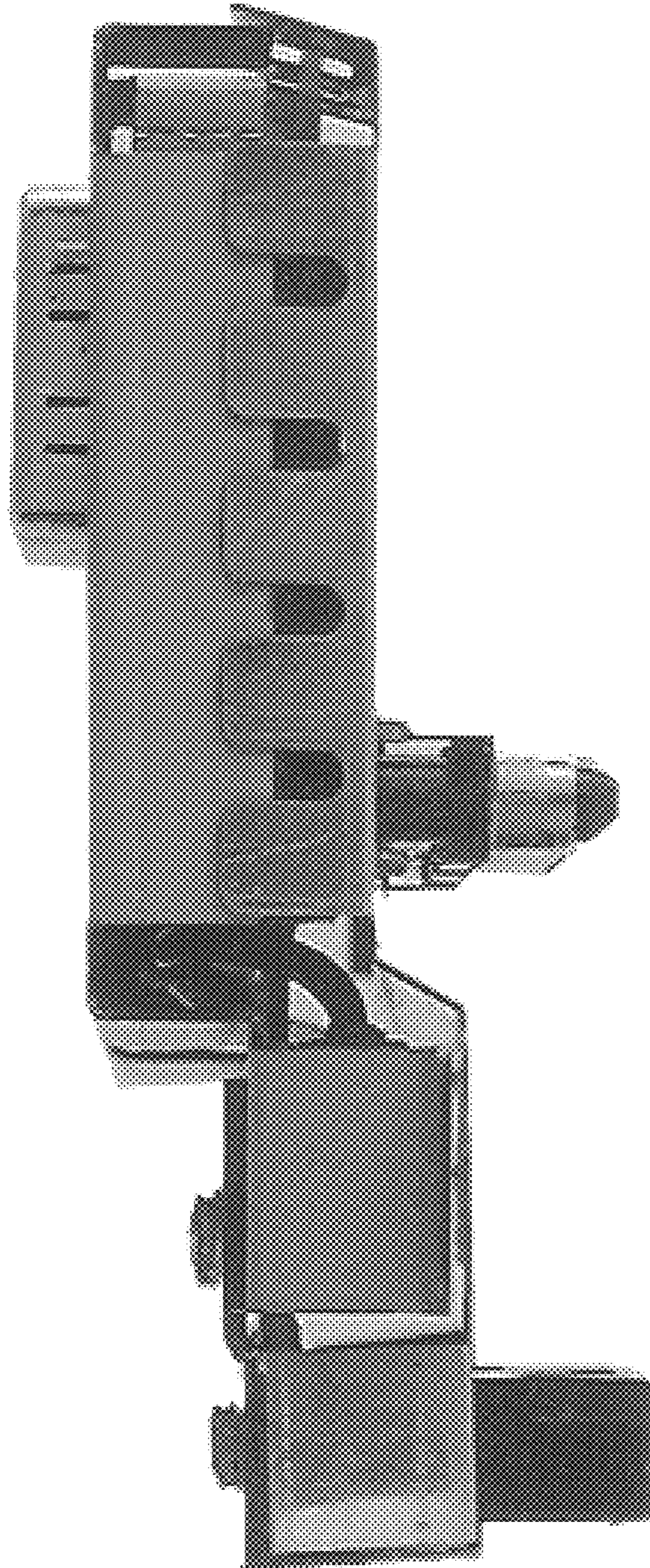


FIG. 8

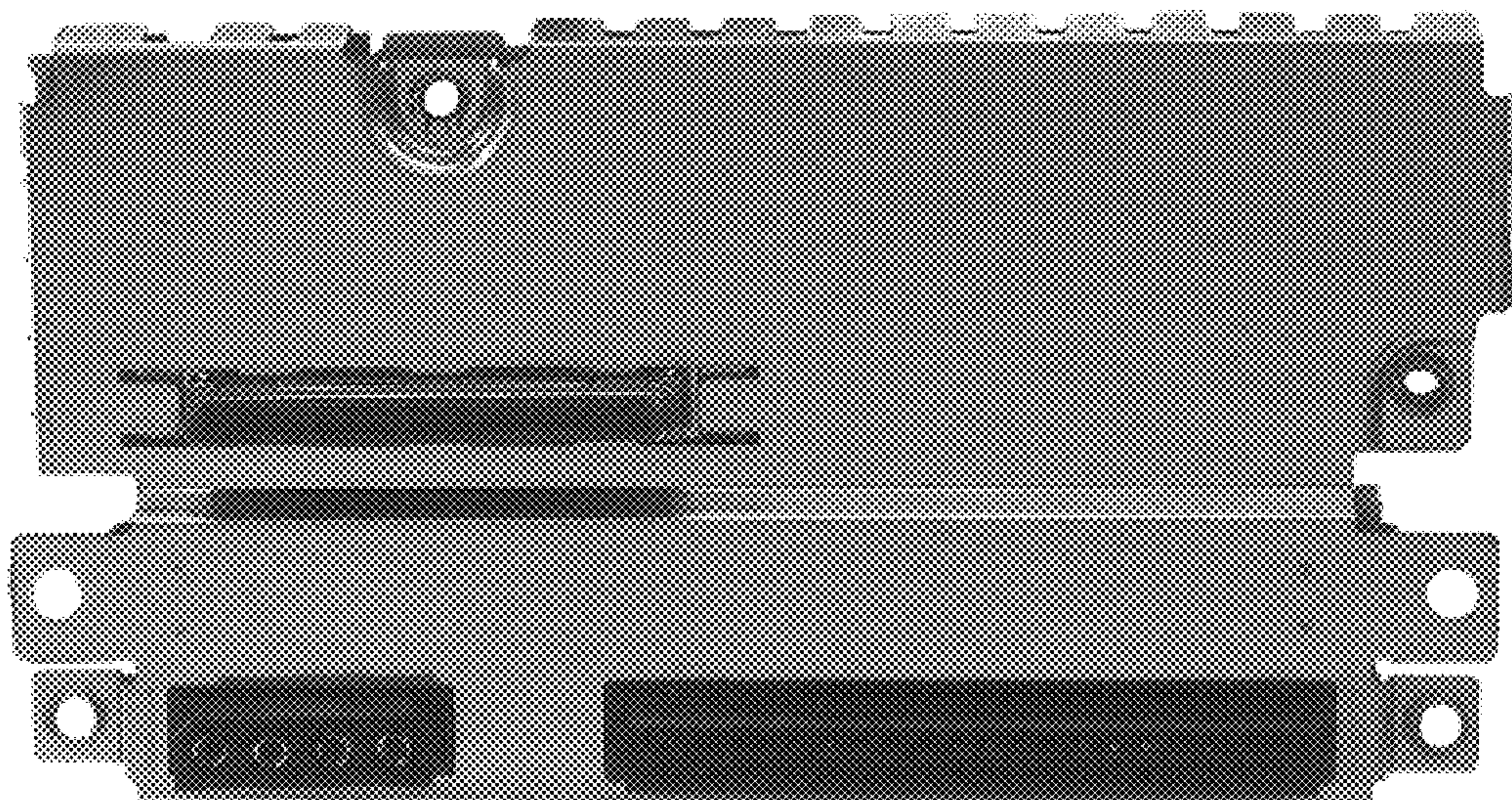


FIG. 9

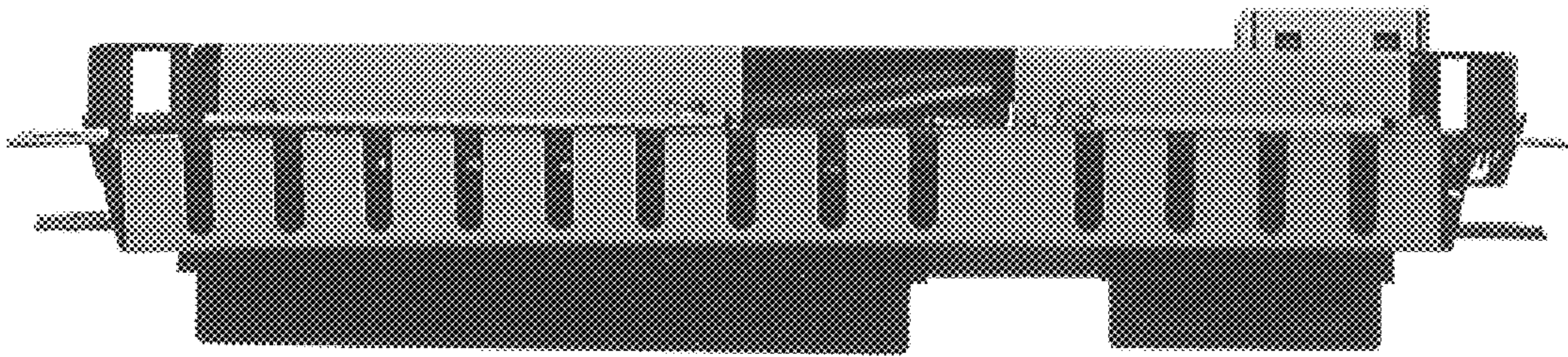


FIG. 10

