



US00D459720S

(12) **United States Design Patent**
Corander

(10) **Patent No.:** **US D459,720 S**

(45) **Date of Patent:** **** Jul. 2, 2002**

(54) **FRONT PANEL AREA FOR A SET-TOP-BOX**

(75) **Inventor:** **Michael Corander, Motala (SE)**

(73) **Assignee:** **Nokia Multimedia Terminals Oy, Motala (SE)**

(**) **Term:** **14 Years**

(21) **Appl. No.:** **29/127,439**

(22) **Filed:** **Aug. 4, 2000**

(30) **Foreign Application Priority Data**

Feb. 9, 2000 (GB) 2090206

(51) **LOC (7) Cl.** **14-01**

(52) **U.S. Cl.** **D14/257**

(58) **Field of Search** D14/125-126,
D14/135-136, 155-158, 160-162, 239,
257-260, 164, 167-168; 312/7.1; 348/10,
11, 706; 455/6.1, 6.2

(56) **References Cited**

U.S. PATENT DOCUMENTS

D376,587 S * 12/1996 Nakada D14/368

5,650,891 A * 7/1997 Thayne et al. 369/77.2 X

D391,957 S * 3/1998 Ito et al. D14/156

D418,518 S * 1/2000 Storti et al. D14/257

D426,823 S * 6/2000 Miyazaki D14/156

* cited by examiner

Primary Examiner—Nanda Bondade

(74) *Attorney, Agent, or Firm*—Steven A. Shaw

(57) **CLAIM**

The ornamental design for a front panel area for a set-top-box, as shown and described.

DESCRIPTION

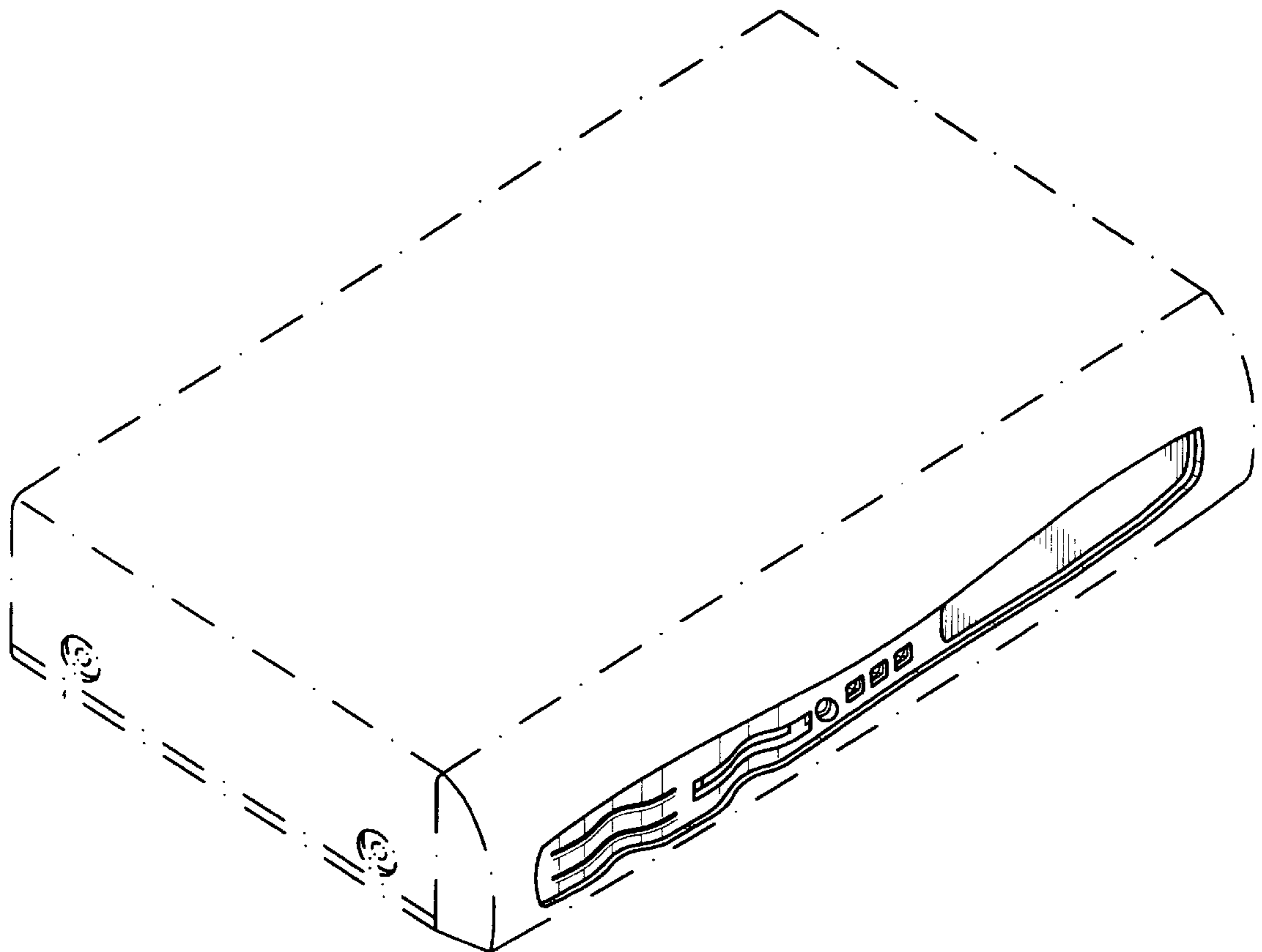
FIG. 1 is a perspective front view of the front panel area for a set-top-box;

FIG. 2 is a front view thereof; and,

FIG. 3 is a top view thereof.

The portion of the set-top-box shown in broken lines is for illustrative purposes only and forms no part of the claimed design.

1 Claim, 2 Drawing Sheets



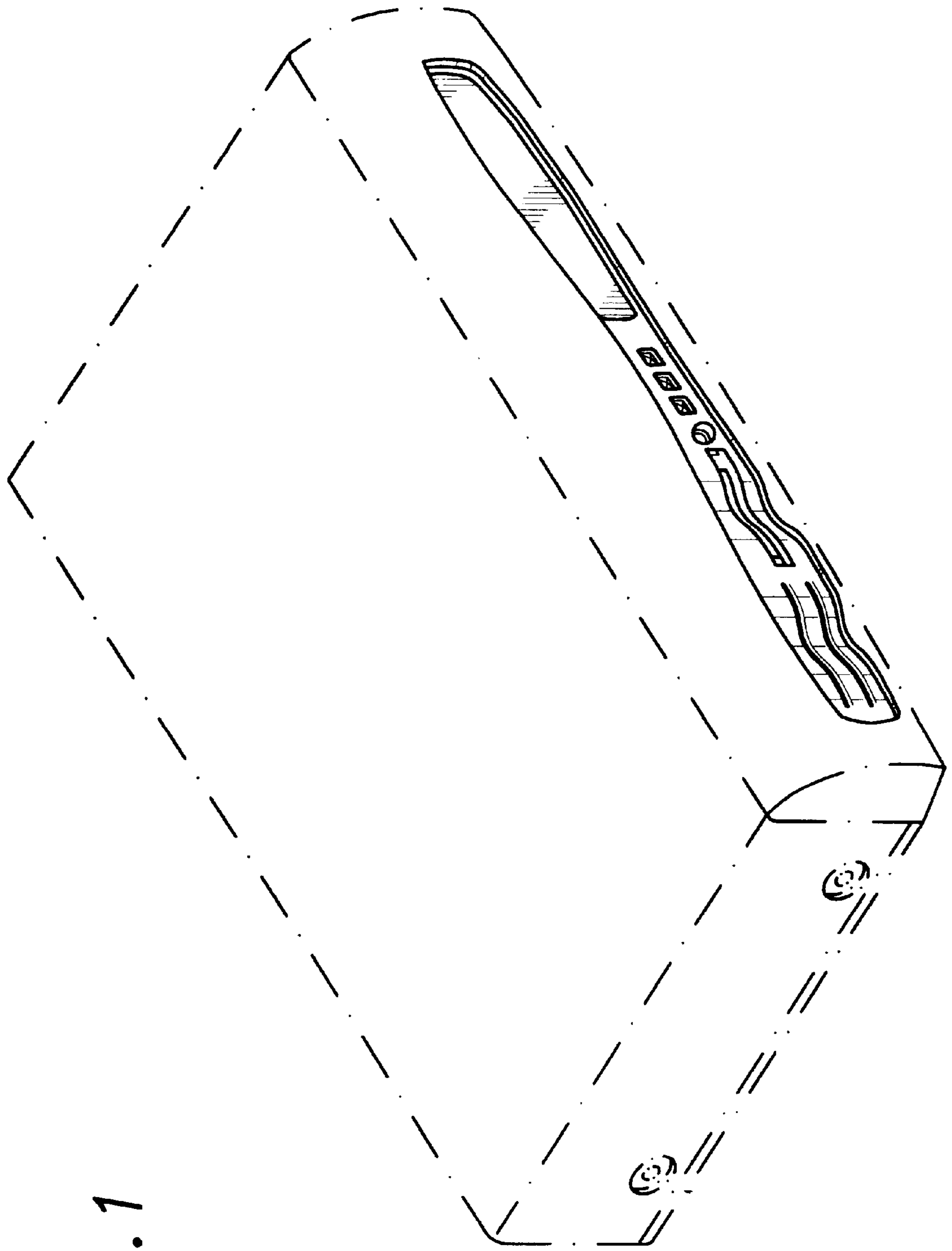


FIG. 1

FIG. 2

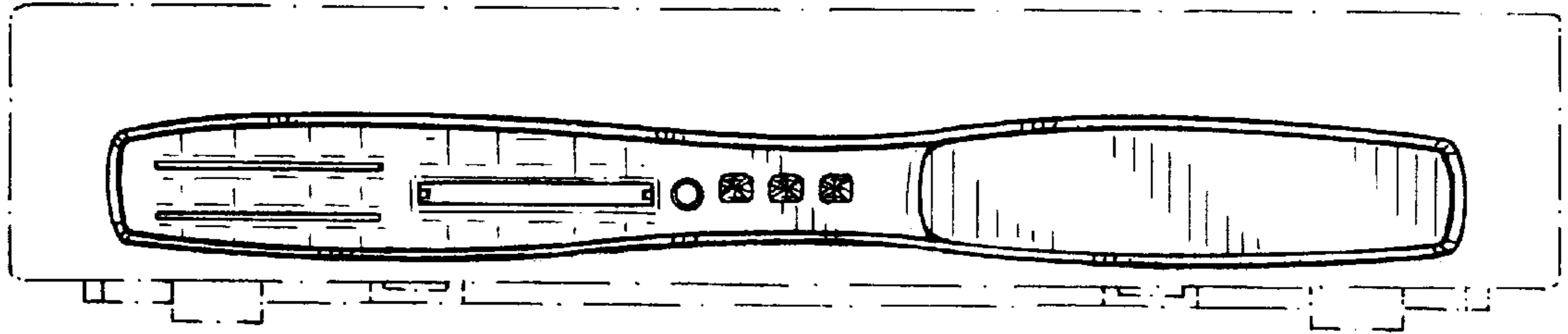


FIG. 3

