



US00D459718S

(12) **United States Design Patent**
Ma et al.

(10) **Patent No.:** **US D459,718 S**

(45) **Date of Patent:** **** Jul. 2, 2002**

(54) **SPEAKER MICROPHONE HOUSING**

(75) Inventors: **Judy Jeonghye Ma**, Buffalo Grove, IL (US); **Harold L. Wikel**, Muskego, WI (US); **Anthony Chmielewski**, Crystal Lake, IL (US)

(73) Assignee: **Motorola, Inc.**, Schaumburg, IL (US)

(**) Term: **14 Years**

(21) Appl. No.: **29/141,832**

(22) Filed: **May 14, 2001**

(51) **LOC (7) Cl.** **14-01**

(52) **U.S. Cl.** **D14/225**

(58) **Field of Search** D14/225, 226, D14/227, 228, 229; 381/122, 161, 168, 169, 91, 108; 379/431, 432

(56) **References Cited**

U.S. PATENT DOCUMENTS

D234,957 S	*	4/1975	Huntington et al.	D14/225
D264,335 S	*	5/1982	Huntington	D14/225
D307,907 S	*	5/1990	Siddoway et al.	D14/225
D346,804 S	*	5/1994	Tokiyama	D14/226
D360,208 S	*	7/1995	Richards	D14/204
D388,094 S	*	12/1997	Tokiyama et al.	D14/226
D416,912 S	*	11/1999	Hsieh	D14/225
D448,019 S	*	9/2001	Cebe et al.	D14/225

* cited by examiner

Primary Examiner—Paula A. Mortimer

(74) *Attorney, Agent, or Firm*—Terri S. Hughes

(57) **CLAIM**

The ornamental design for a speaker microphone housing, as shown and described.

DESCRIPTION

FIG. 1 is a front, right, top perspective view of the speaker microphone housing showing our new design;

FIG. 2 is a left view thereof;

FIG. 3 is a front view thereof;

FIG. 4 is a bottom view thereof;

FIG. 5 is a top view thereof;

FIG. 6 is a right view thereof;

FIG. 7 is a rear view thereof;

FIG. 8 is a front, right, top perspective view of the speaker microphone housing showing an alternative embodiment of our new design;

FIG. 9 is a left view thereof;

FIG. 10 is a front view thereof;

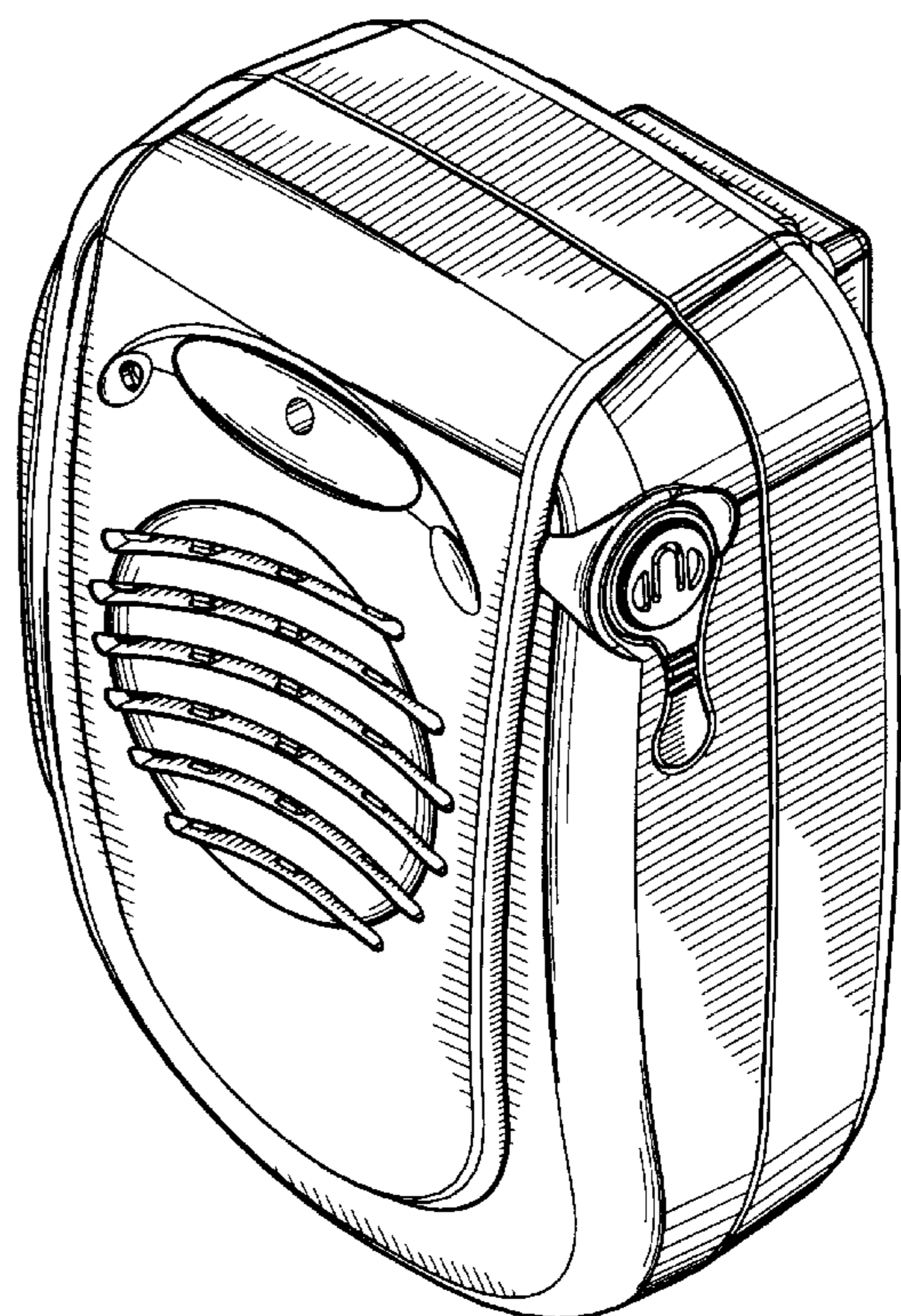
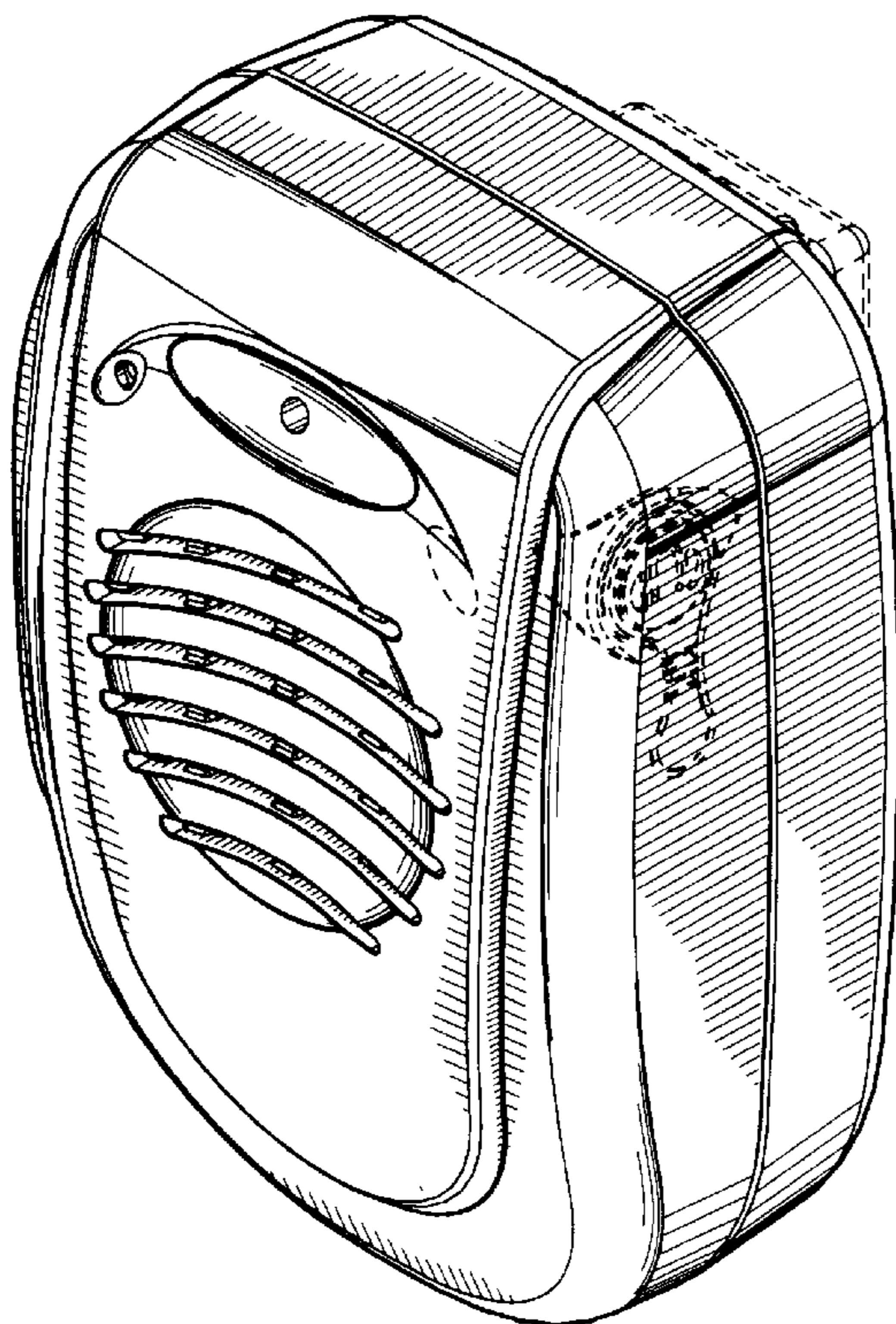
FIG. 11 is a bottom view thereof;

FIG. 12 is a top view thereof;

FIG. 13 is a right view thereof; and,

FIG. 14 is a rear view thereof.

1 Claim, 6 Drawing Sheets



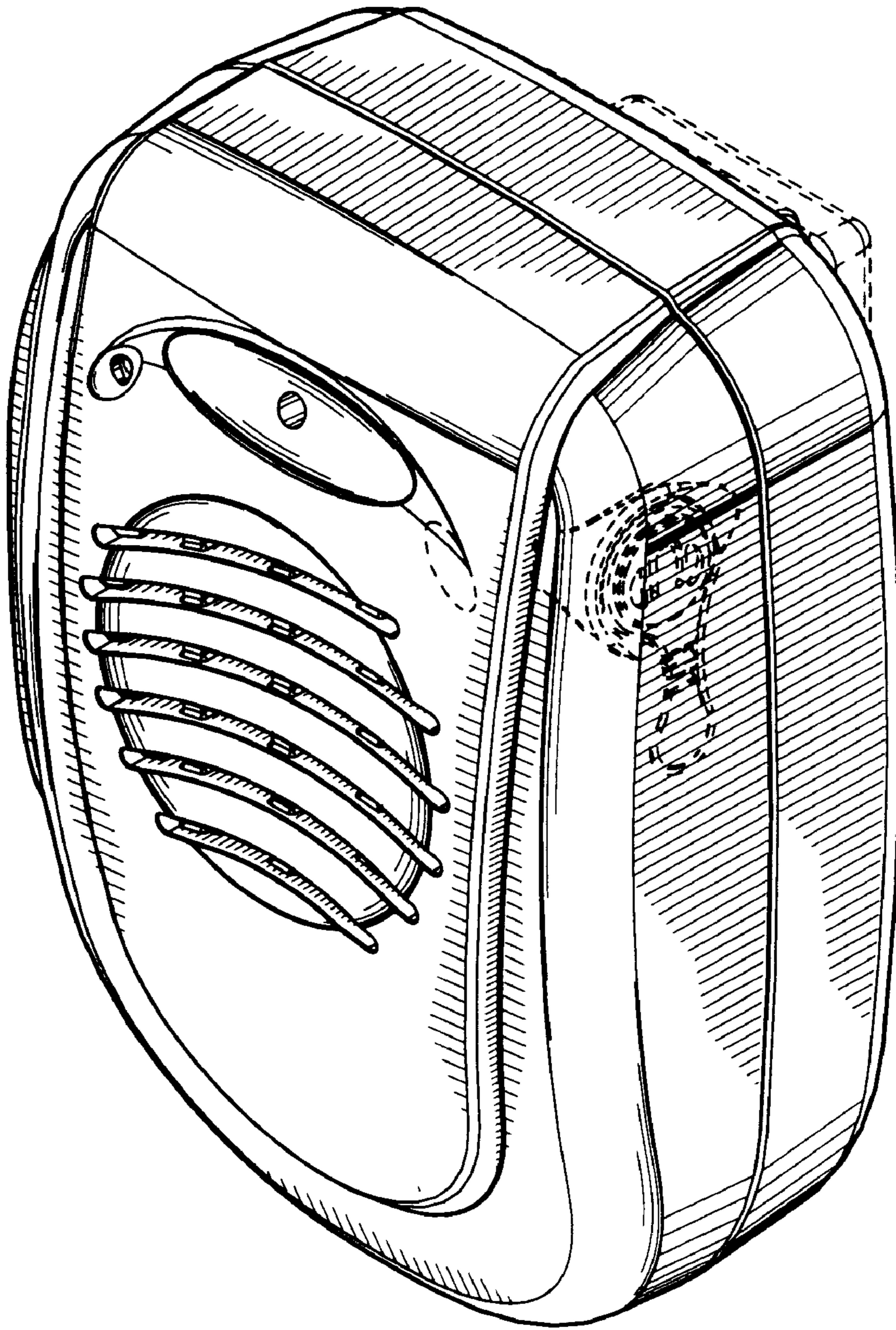


FIG. 1

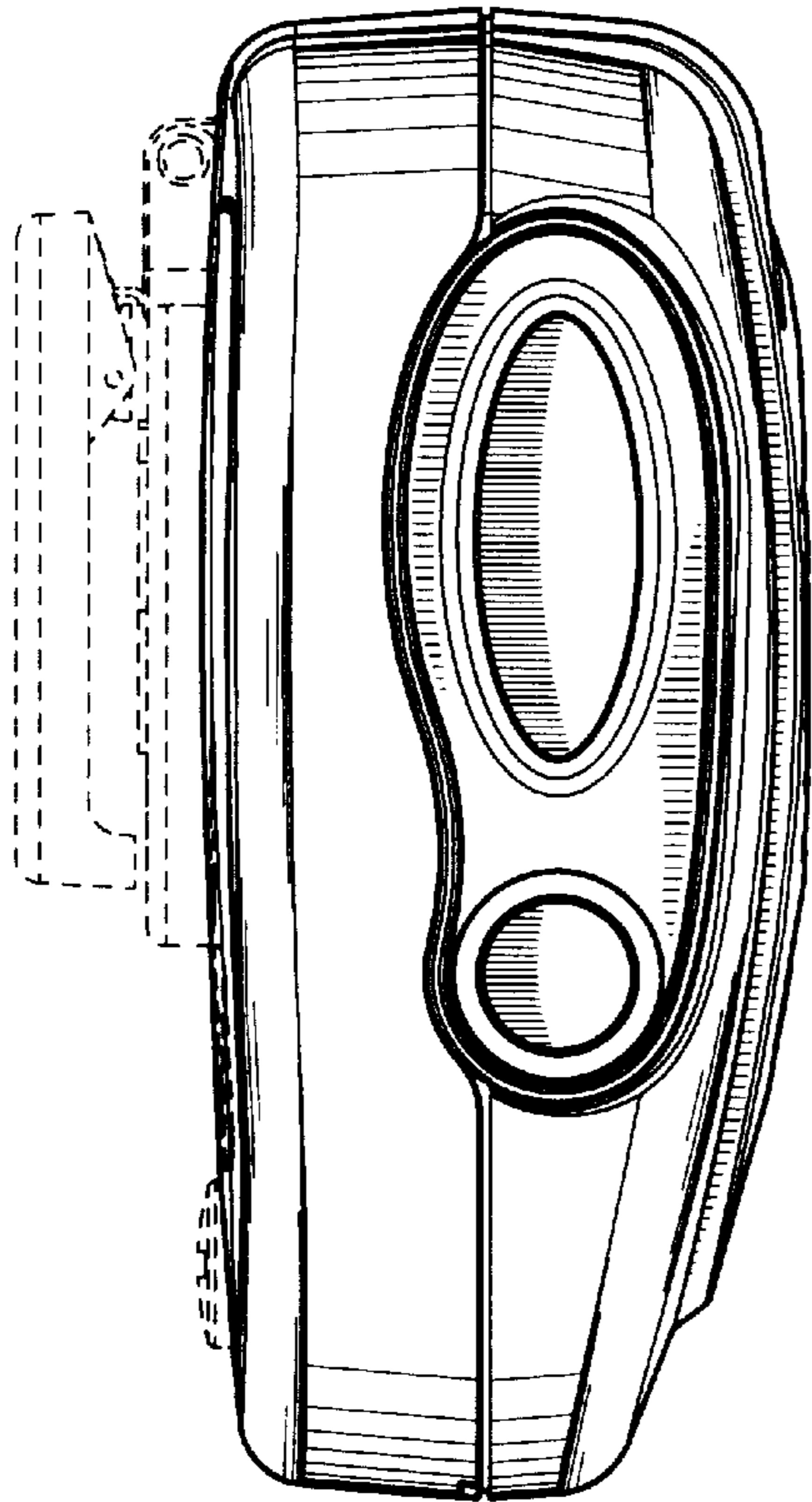


FIG. 2

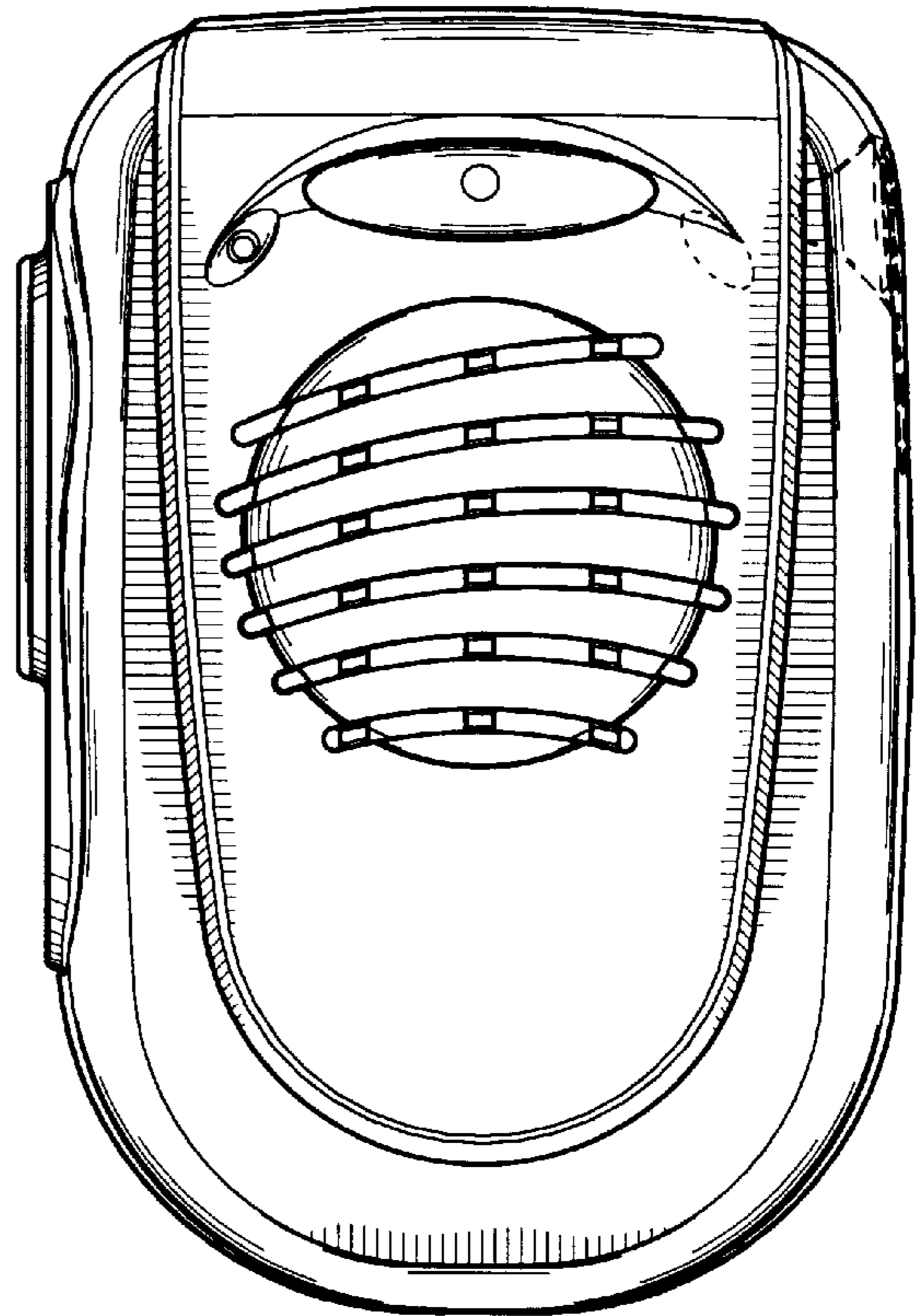


FIG. 3

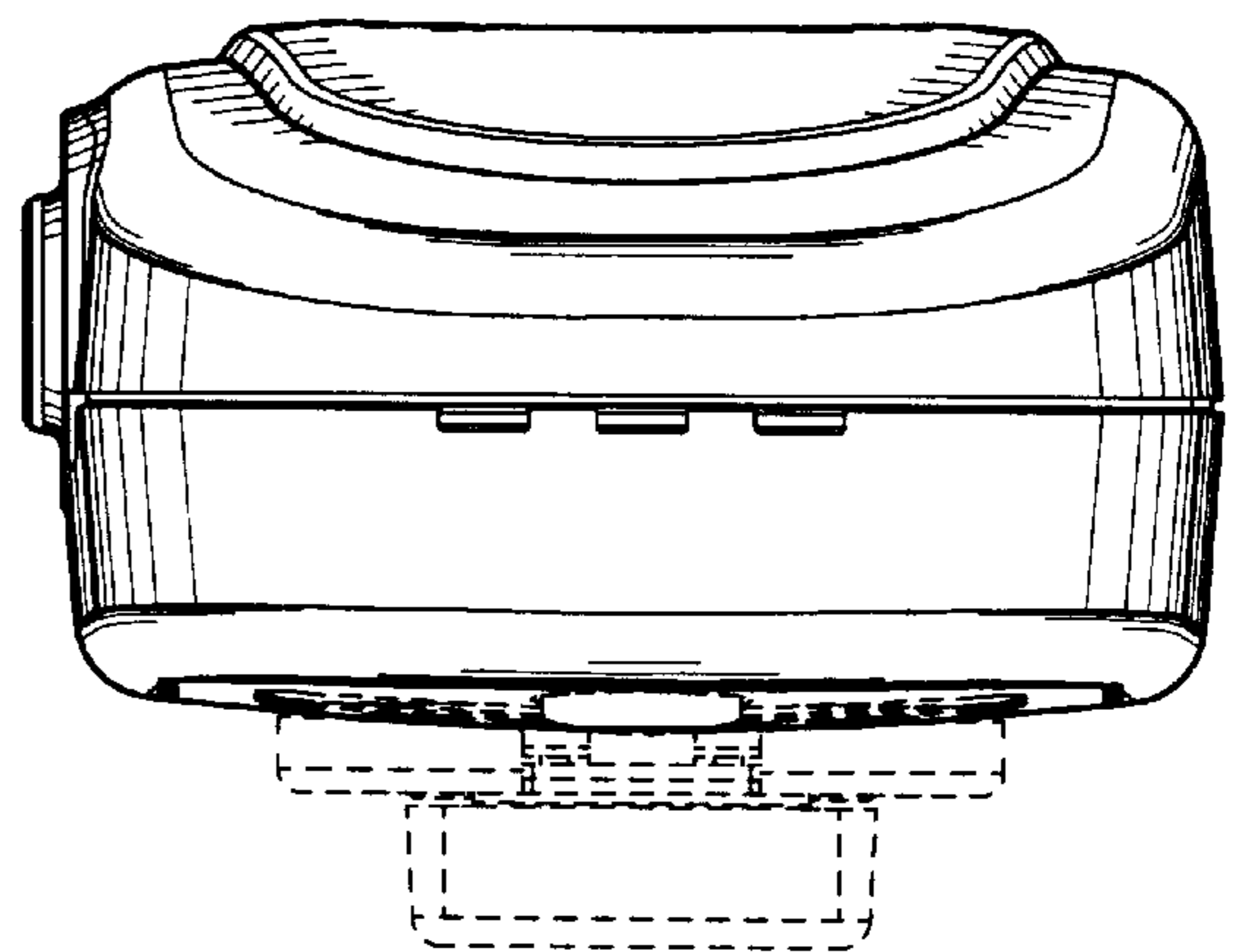


FIG. 4

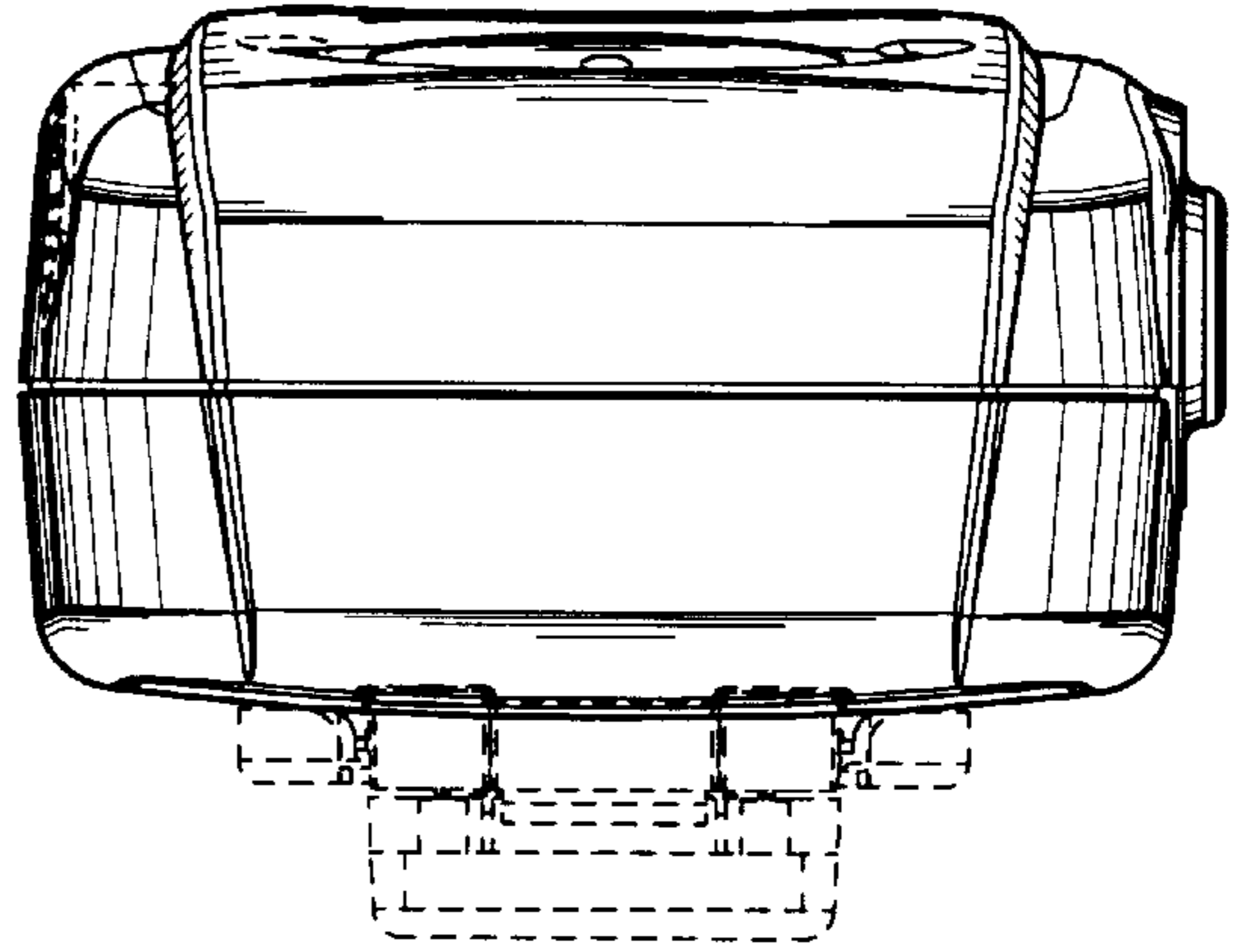


FIG. 5

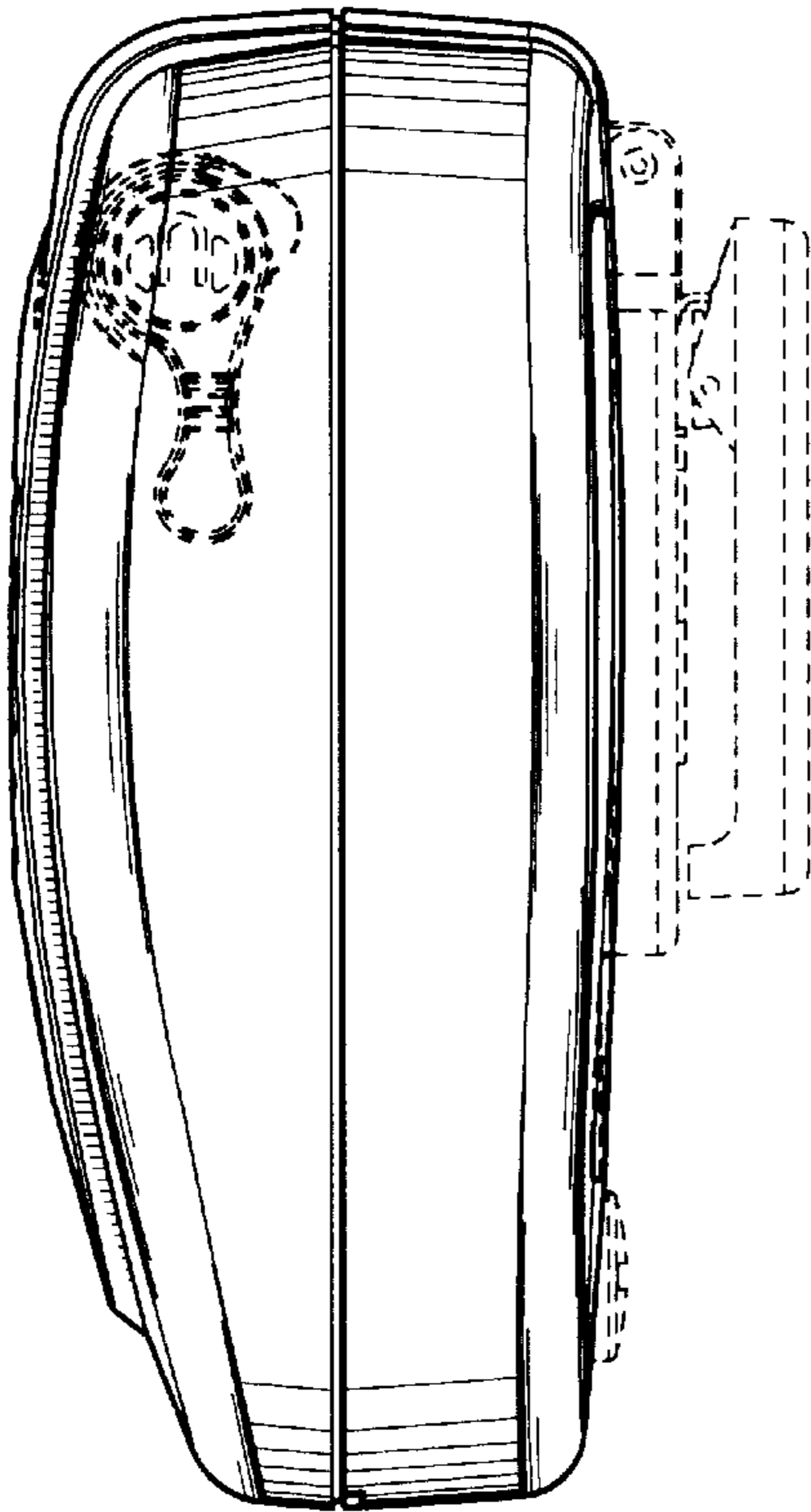


FIG. 6

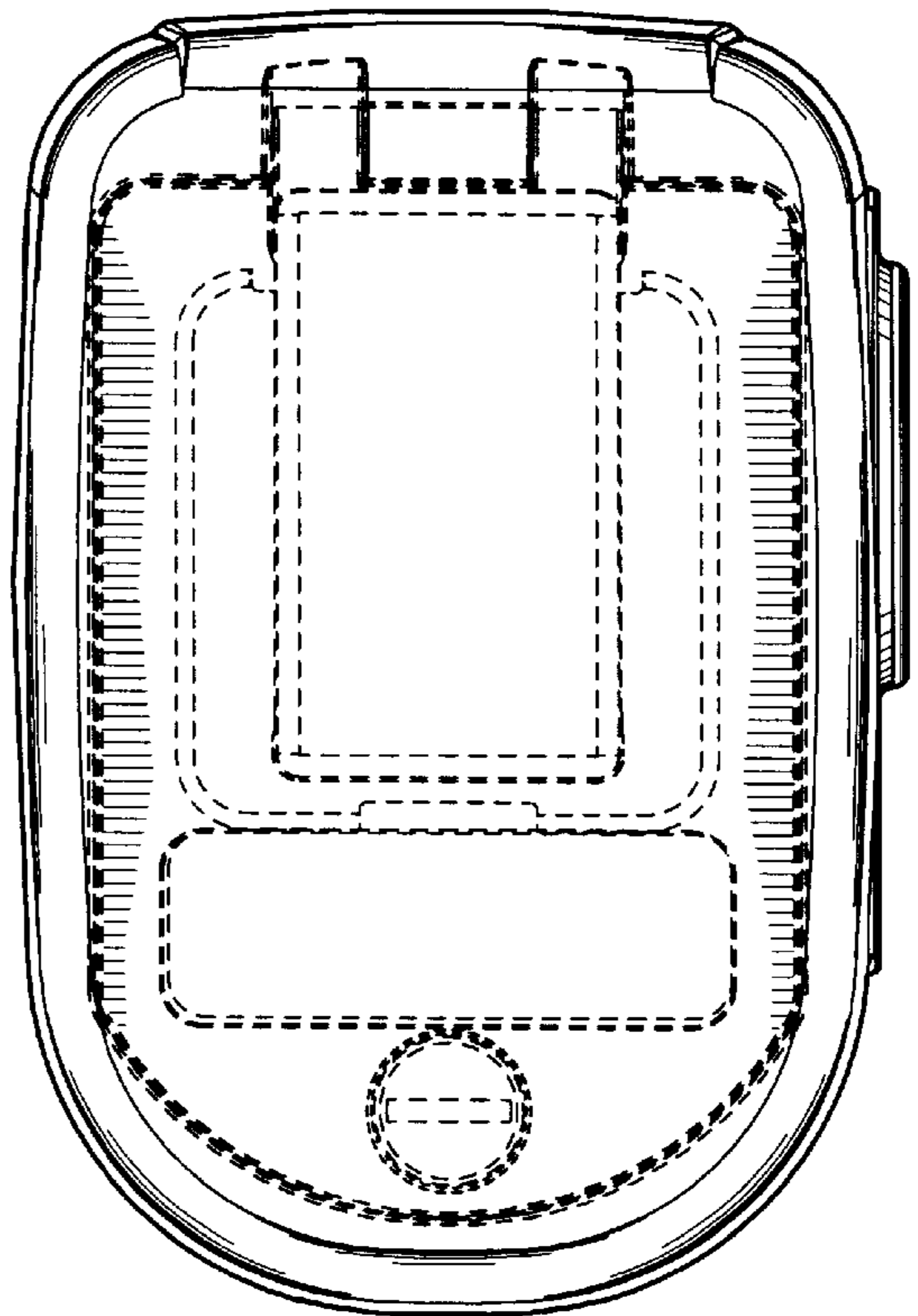


FIG. 7

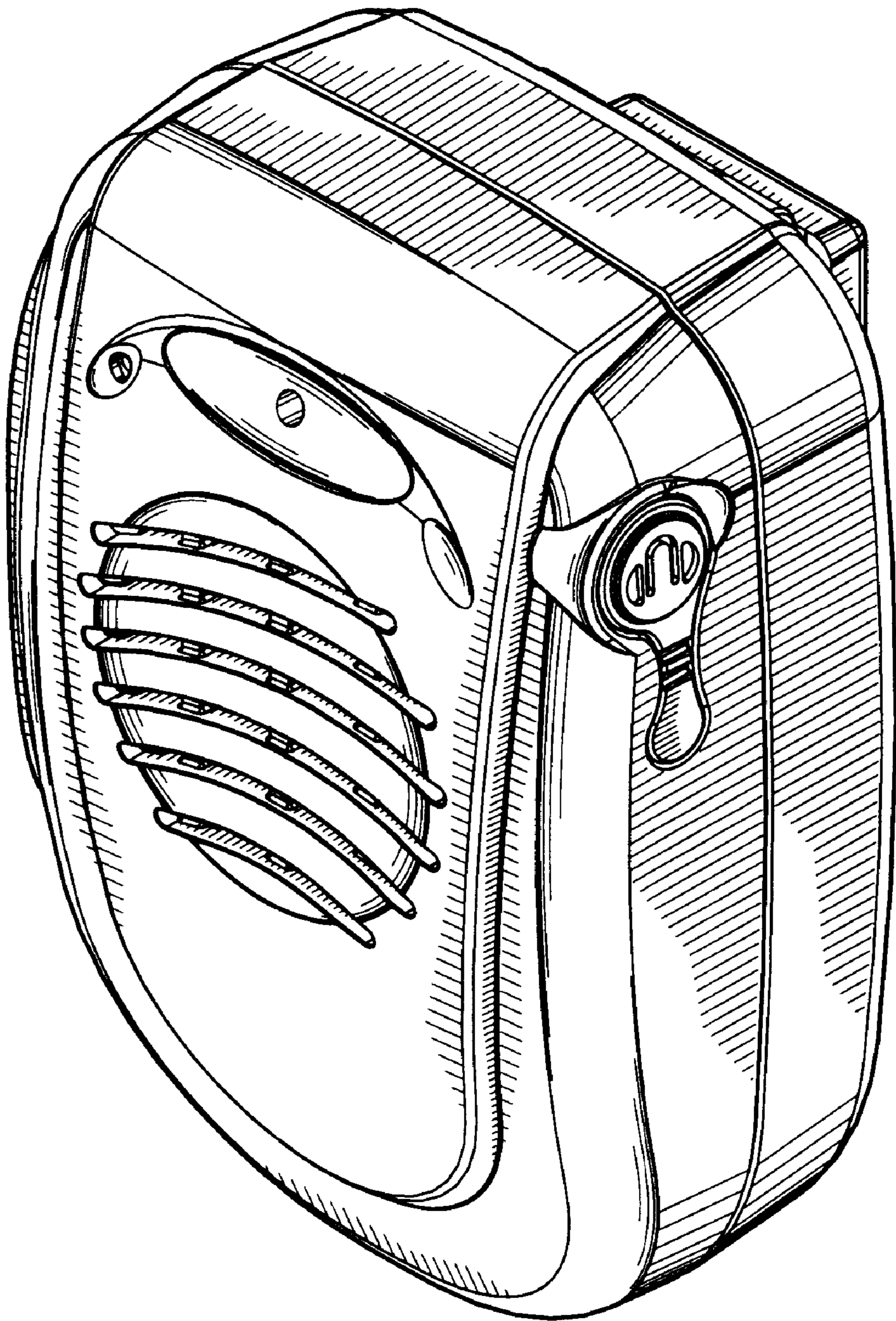


FIG. 8

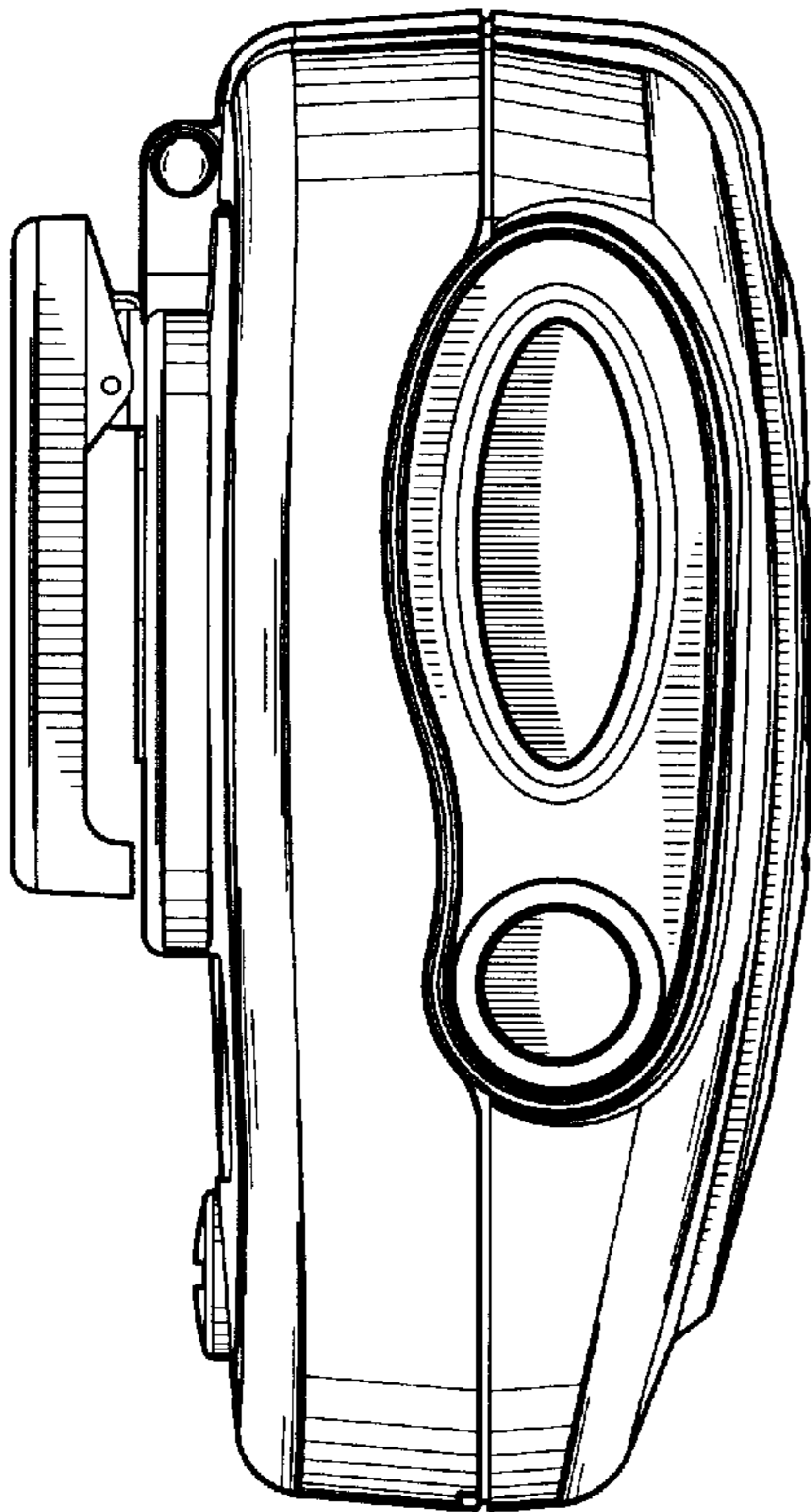


FIG. 9

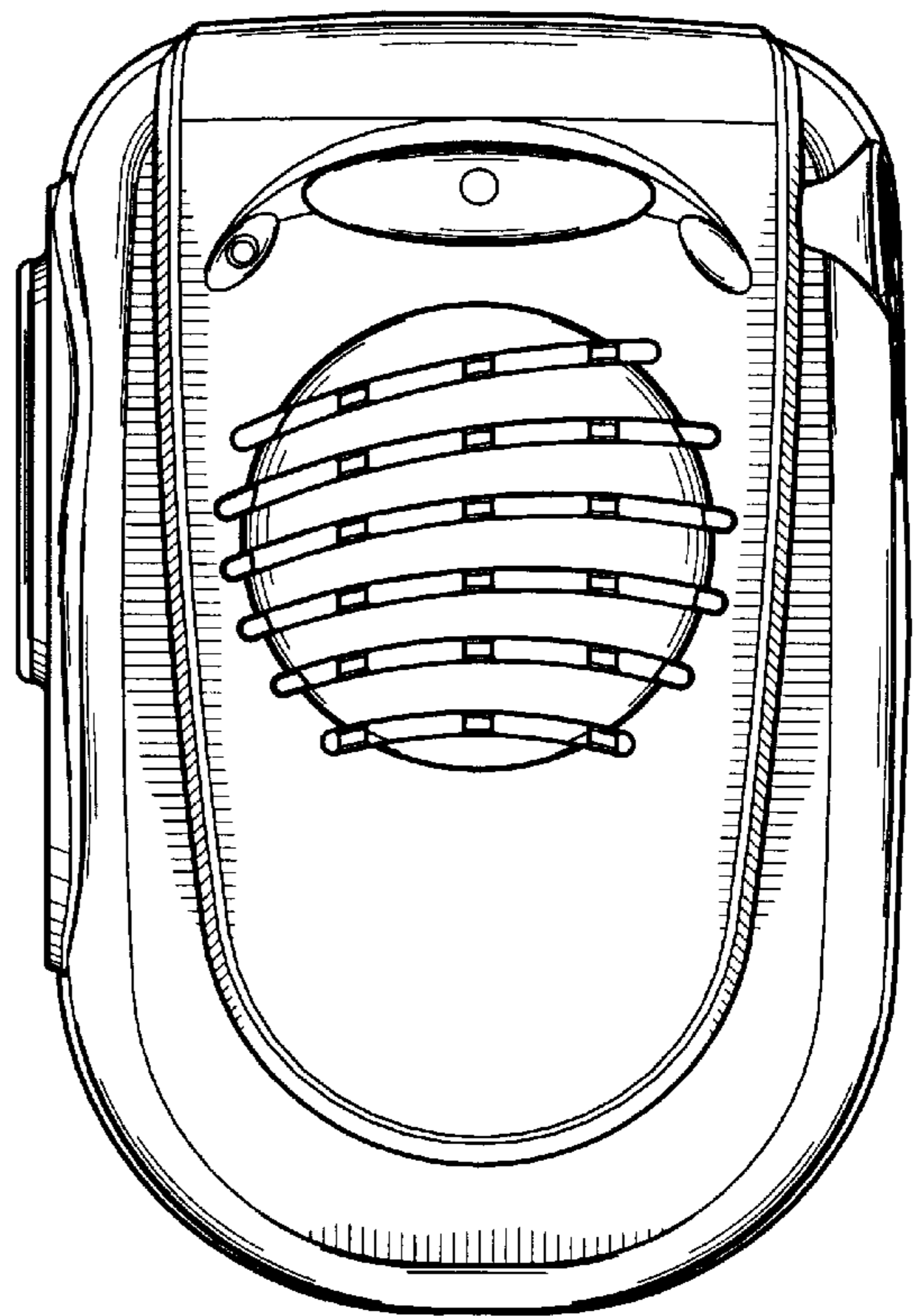


FIG. 10

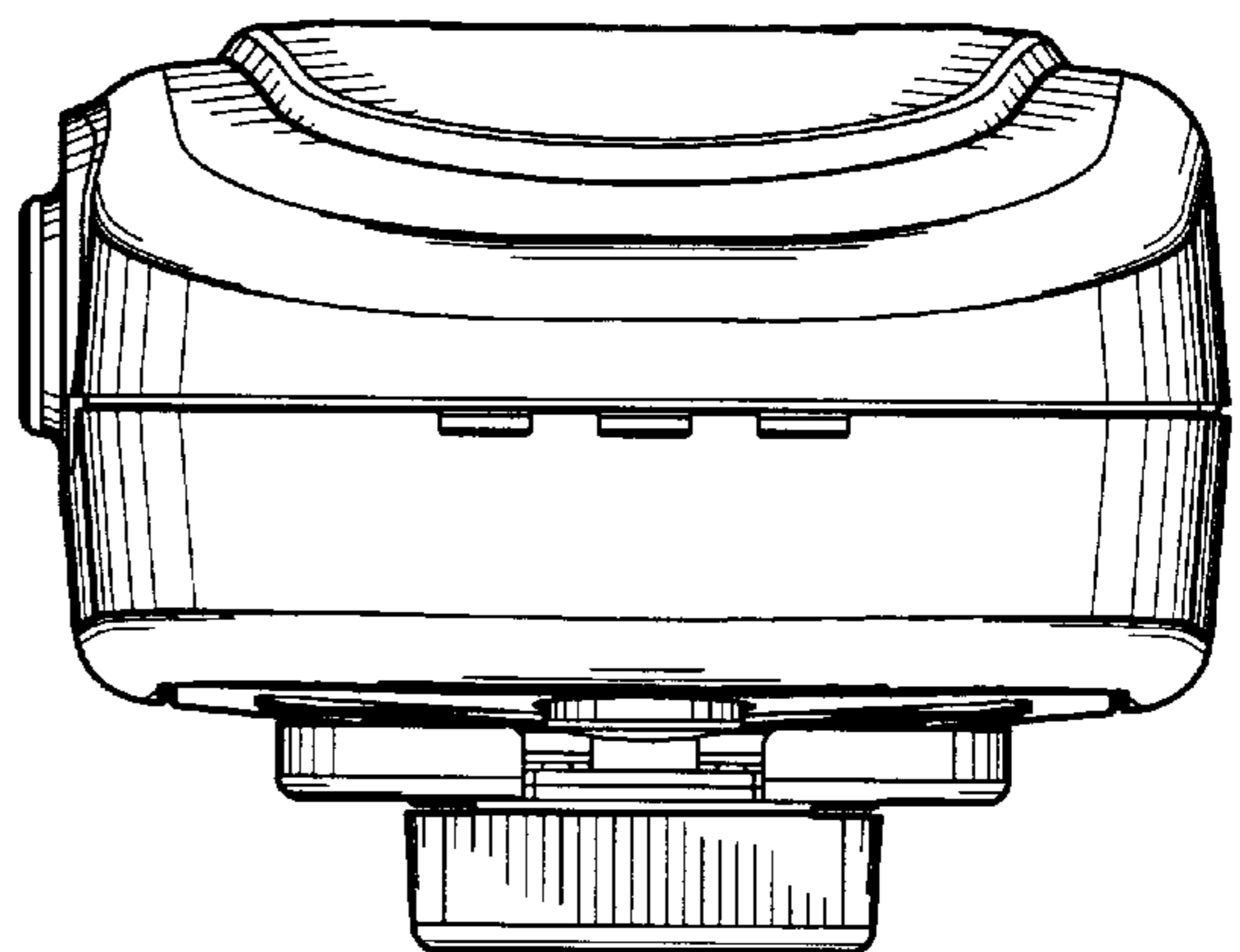


FIG. 11

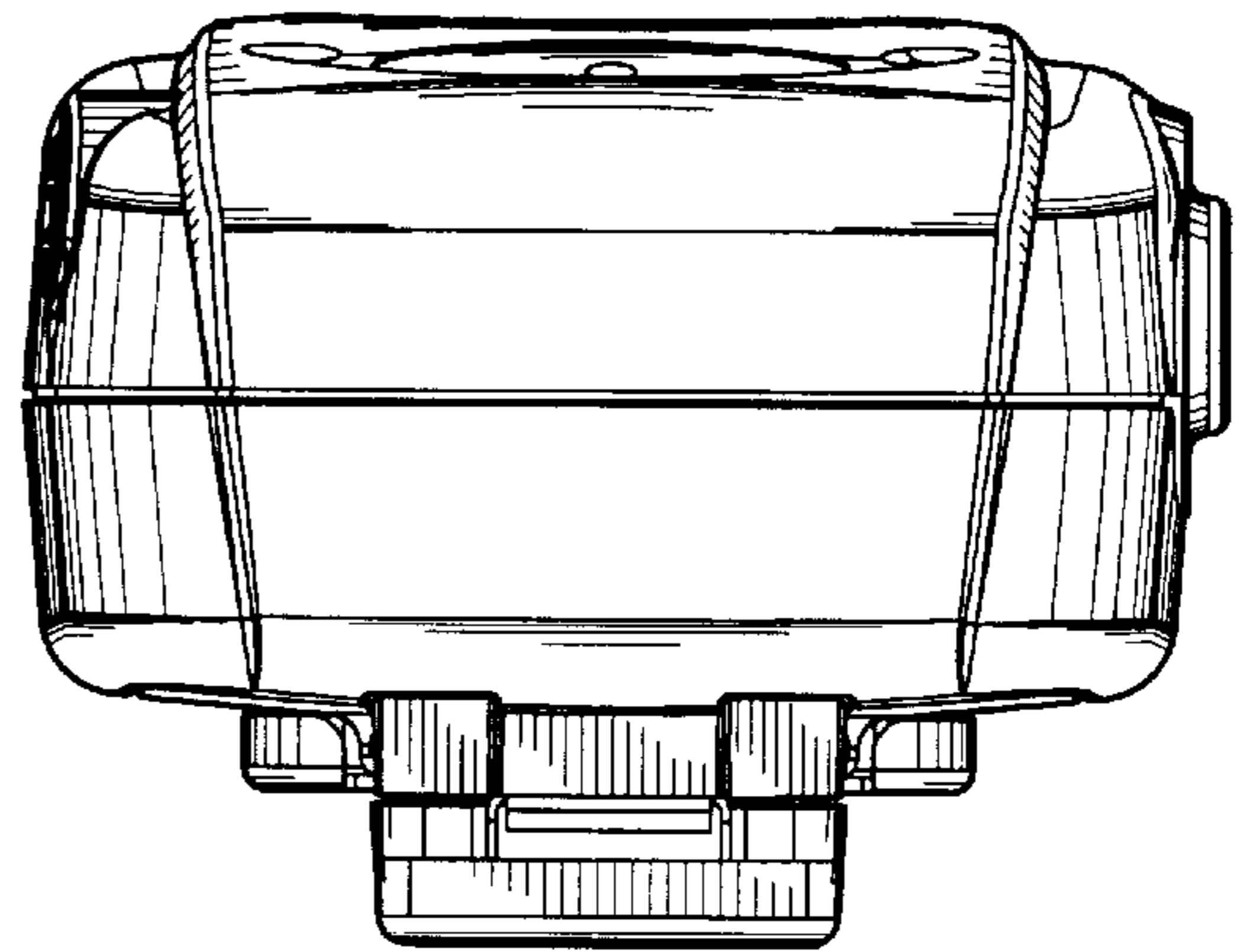


FIG. 12

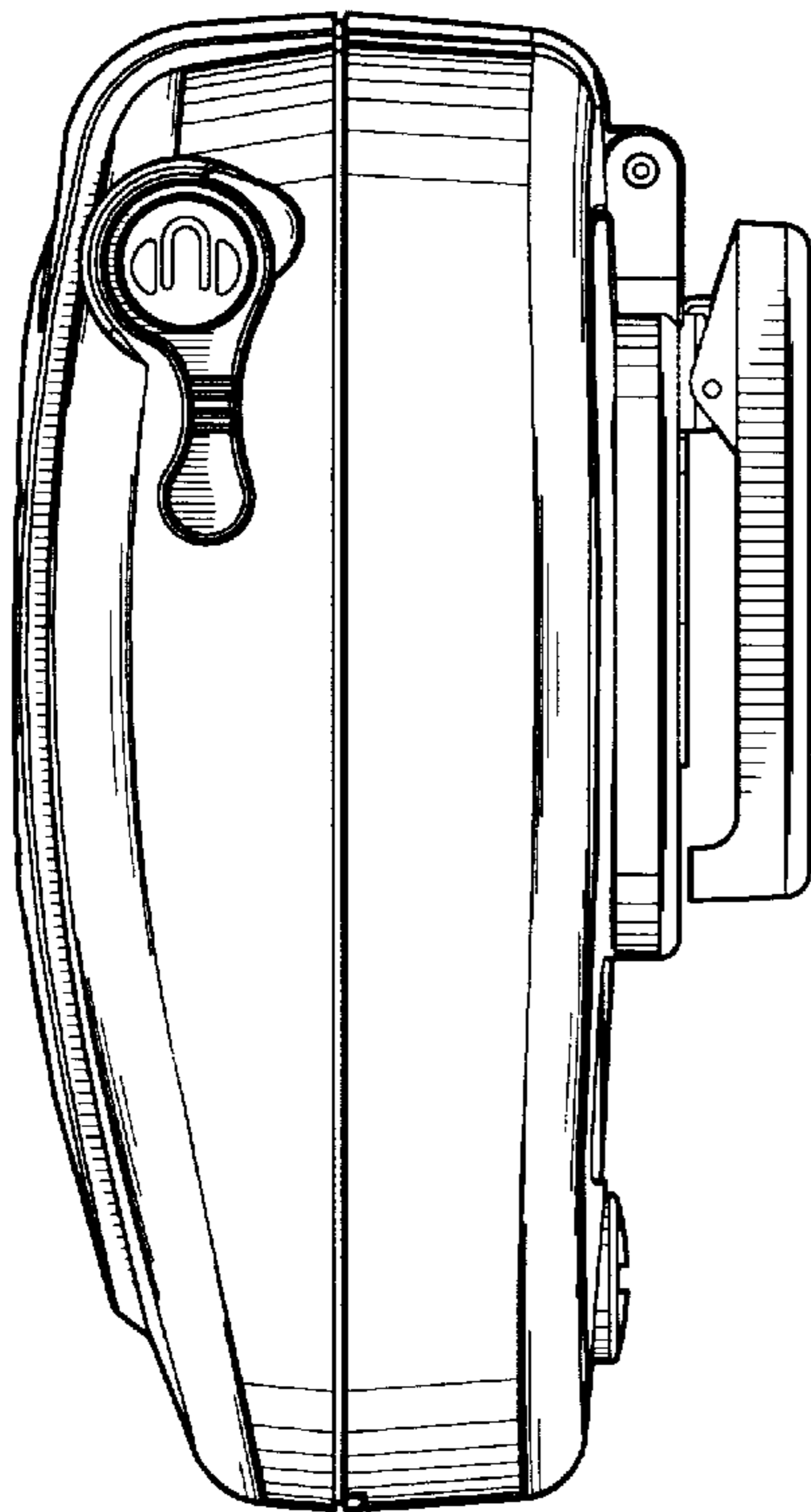


FIG. 13

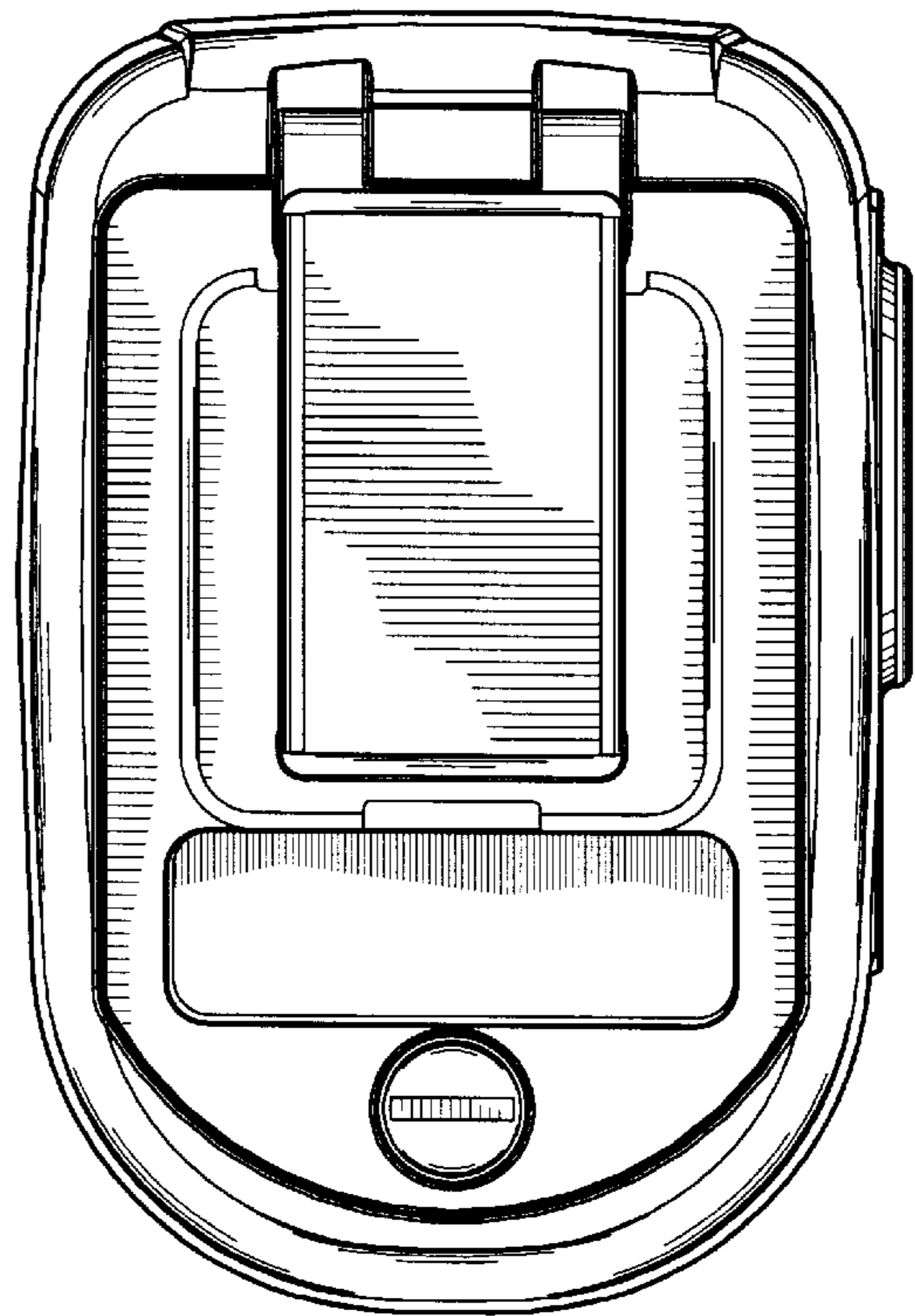


FIG. 14