



US00D459715S

(12) **United States Design Patent**  
**Tejima**

(10) **Patent No.:** **US D459,715 S**

(45) **Date of Patent:** **\*\* Jul. 2, 2002**

(54) **RECEIVER**

(75) Inventor: **Keisuke Tejima**, Tokyo (JP)

(73) Assignee: **Sony Corporation**, Tokyo (JP)

(\*\*) Term: **14 Years**

(21) Appl. No.: **29/143,002**

(22) Filed: **Jun. 7, 2001**

(51) **LOC (7) Cl.** ..... **14-03**

(52) **U.S. Cl.** ..... **D14/188**

(58) **Field of Search** ..... D14/135-136,  
D14/156-157, 160-165, 167-168, 188,  
193-198, 257; 455/344, 347-351; 369/75.1,  
75.2, 77.1, 77.2

(56) **References Cited**

**U.S. PATENT DOCUMENTS**

D391,258 S	*	2/1998	Ito et al. ....	D14/188
5,848,042 A	*	12/1998	Takahashi et al. ....	369/75.1
D414,769 S		10/1999	Shintani et al.	
D416,554 S	*	11/1999	Sakamoto et al. ....	D14/136
D420,661 S		2/2000	Shintani et al.	
D427,992 S		7/2000	Takahashi et al.	
D428,611 S		7/2000	Takahashi et al.	
D431,033 S		9/2000	Takahashi et al.	
D435,031 S	*	12/2000	Uchiyama .....	D14/156

**OTHER PUBLICATIONS**

Catalogue, "Technics SU-A808," [http://www.panasonic.co.jp/technics/product\\_catalogue/su-a808.htm](http://www.panasonic.co.jp/technics/product_catalogue/su-a808.htm), p. 1, Panasonic Corporation (Dec., 2000).

Catalogue, "ProductCatalogue," [http://www.panasonic.co.jp/technics/product\\_catalogue/product\\_catalogue\\_list.htm](http://www.panasonic.co.jp/technics/product_catalogue/product_catalogue_list.htm), p. 1, Panasonic Corporation (Sep. 2000).

Catalogue, "Sony 95," p. 152, Sony Corporation (Jul. 2000).

\* cited by examiner

*Primary Examiner*—Nanda Bondade

(74) *Attorney, Agent, or Firm*—Rader, Fishman & Grauer, PLLC

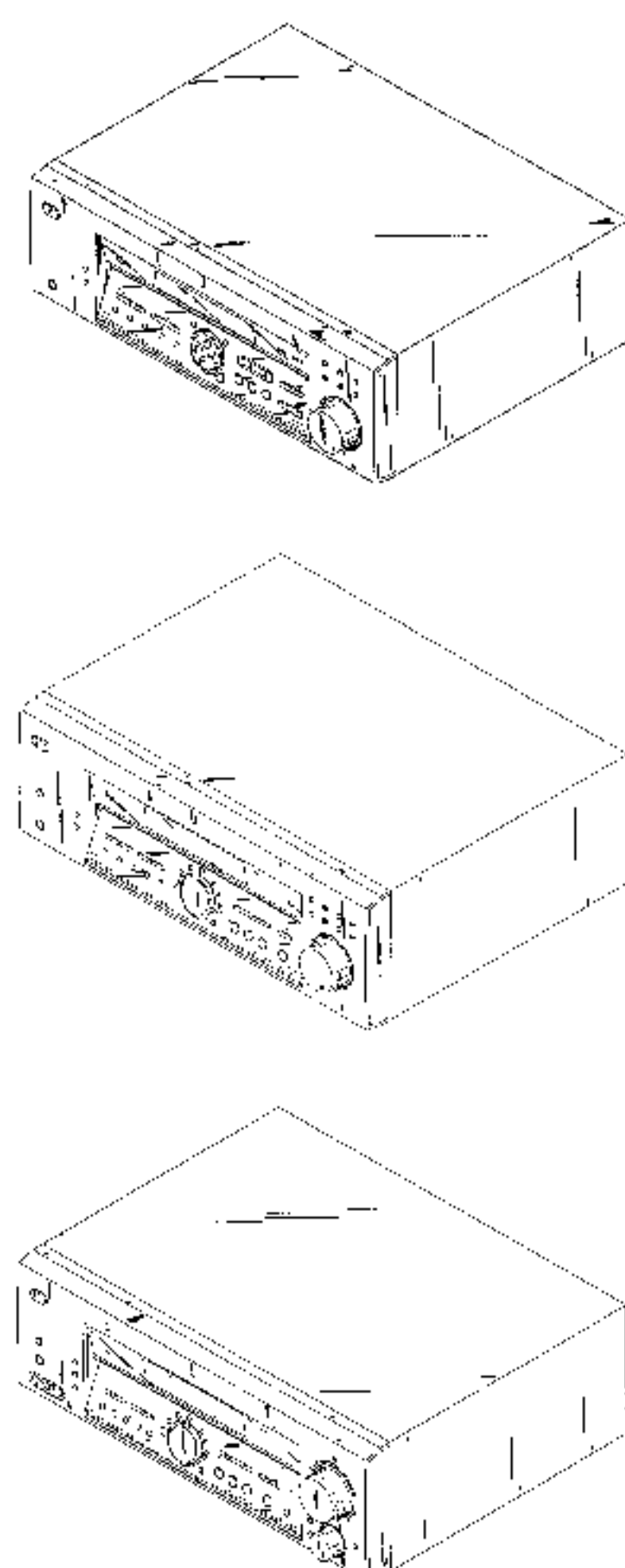
(57) **CLAIM**

The ornamental design for a receiver, as shown and described.

**DESCRIPTION**

FIG. 1 is a perspective view of a receiver showing my new design;  
 FIG. 2 is a front elevational view thereof;  
 FIG. 3 is a rear elevational view thereof;  
 FIG. 4 is a left side elevational view thereof;  
 FIG. 5 is a right side elevational view thereof;  
 FIG. 6 is a top plan view thereof; and  
 FIG. 7 is a bottom plan view thereof.  
 FIG. 8 is a perspective view of another embodiment of a receiver showing my new design; and  
 FIG. 9 is a front elevational view thereof. The rest of views thereof is the same as those of the embodiment of FIG. 1.  
 FIG. 10 is a perspective view of a third embodiment of a receiver showing my new design;  
 FIG. 11 is a front elevational view thereof;  
 FIG. 12 is a rear elevational view thereof;  
 FIG. 13 is a left side elevational view thereof;  
 FIG. 14 is a right side elevational view thereof;  
 FIG. 15 is a top plan view thereof; and  
 FIG. 16 is a bottom plan view thereof.  
 FIG. 17 is a perspective view of a fourth embodiment of a receiver showing my new design; and  
 FIG. 18 is a front elevational view thereof. The rest of views thereof is the same as those of the embodiment of FIG. 10.  
 FIG. 19 is a perspective view of a fifth embodiment of a receiver showing my new design;  
 FIG. 20 is a front elevational view thereof;  
 FIG. 21 is a rear elevational view thereof;  
 FIG. 22 is a left side elevational view thereof;  
 FIG. 23 is a right side elevational view thereof;  
 FIG. 24 is a top plan view thereof; and  
 FIG. 25 is a bottom plan view thereof.  
 FIG. 26 is a perspective view of sixth embodiment of a receiver showing my new design; and,  
 FIG. 27 is a front elevational view thereof. The rest of views thereof is the same as those of the embodiment of FIG. 19.

**1 Claim, 18 Drawing Sheets**



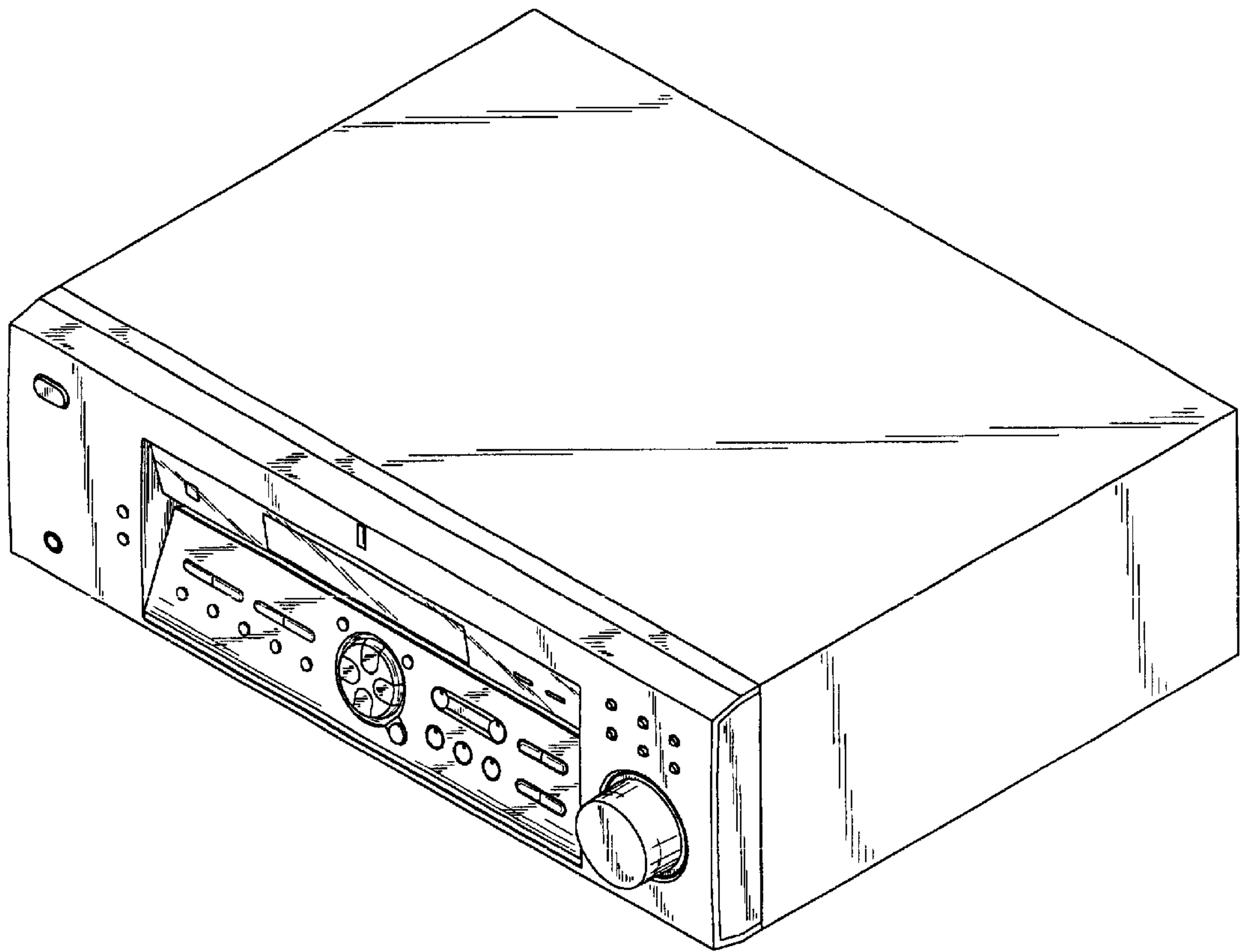


Fig. 1

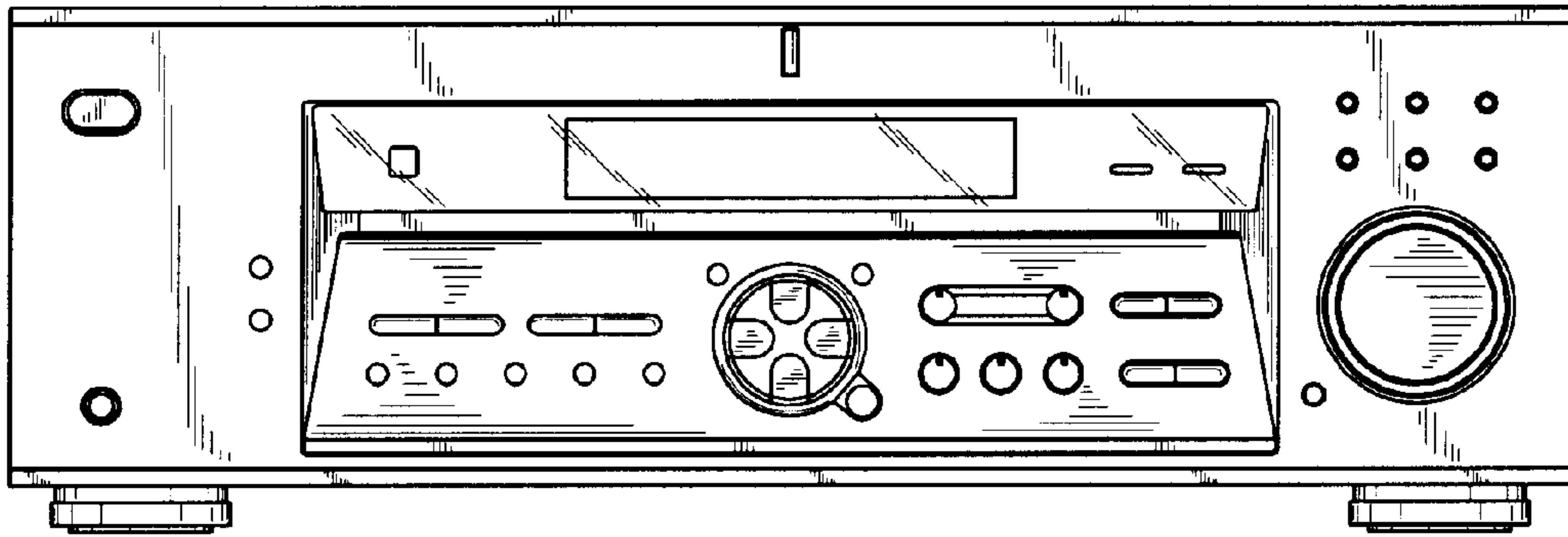


Fig. 2

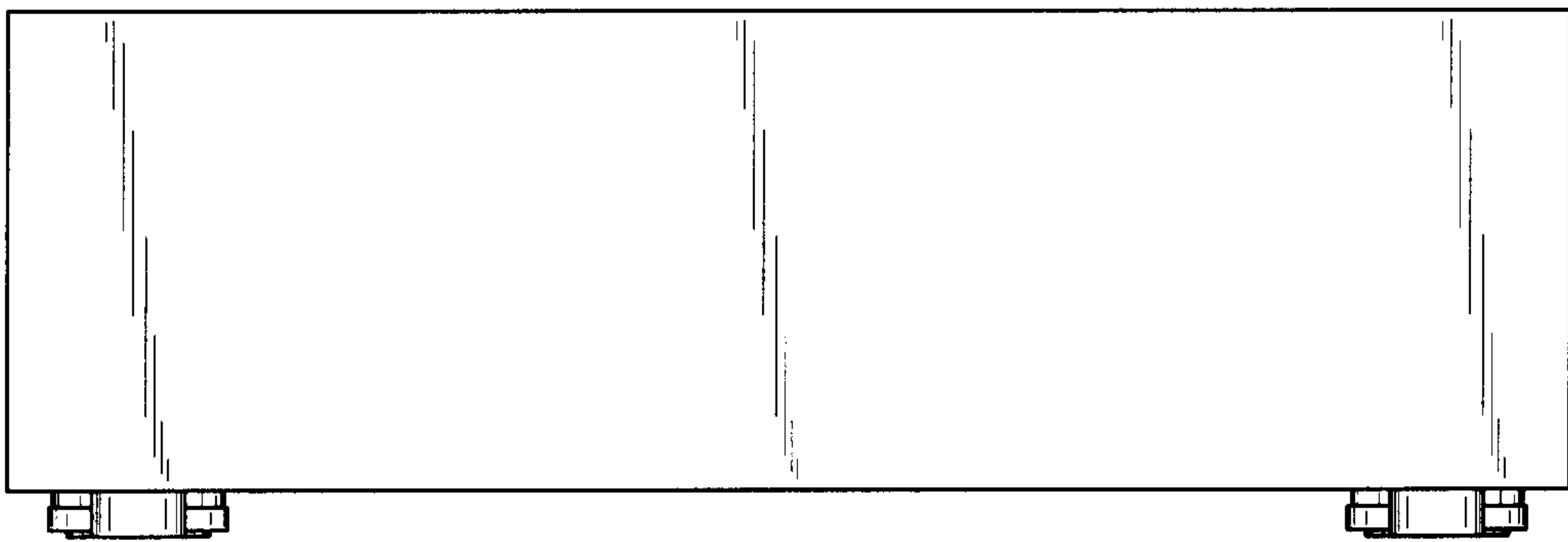
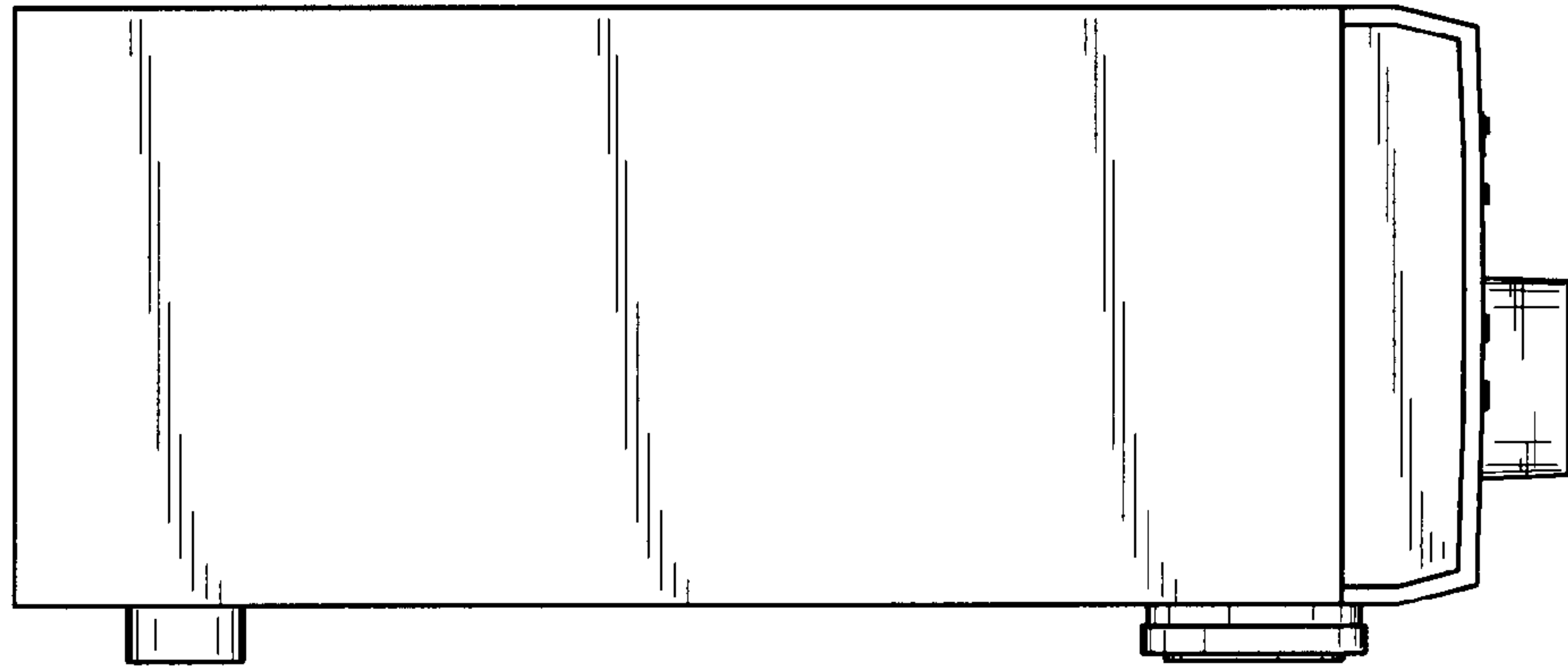
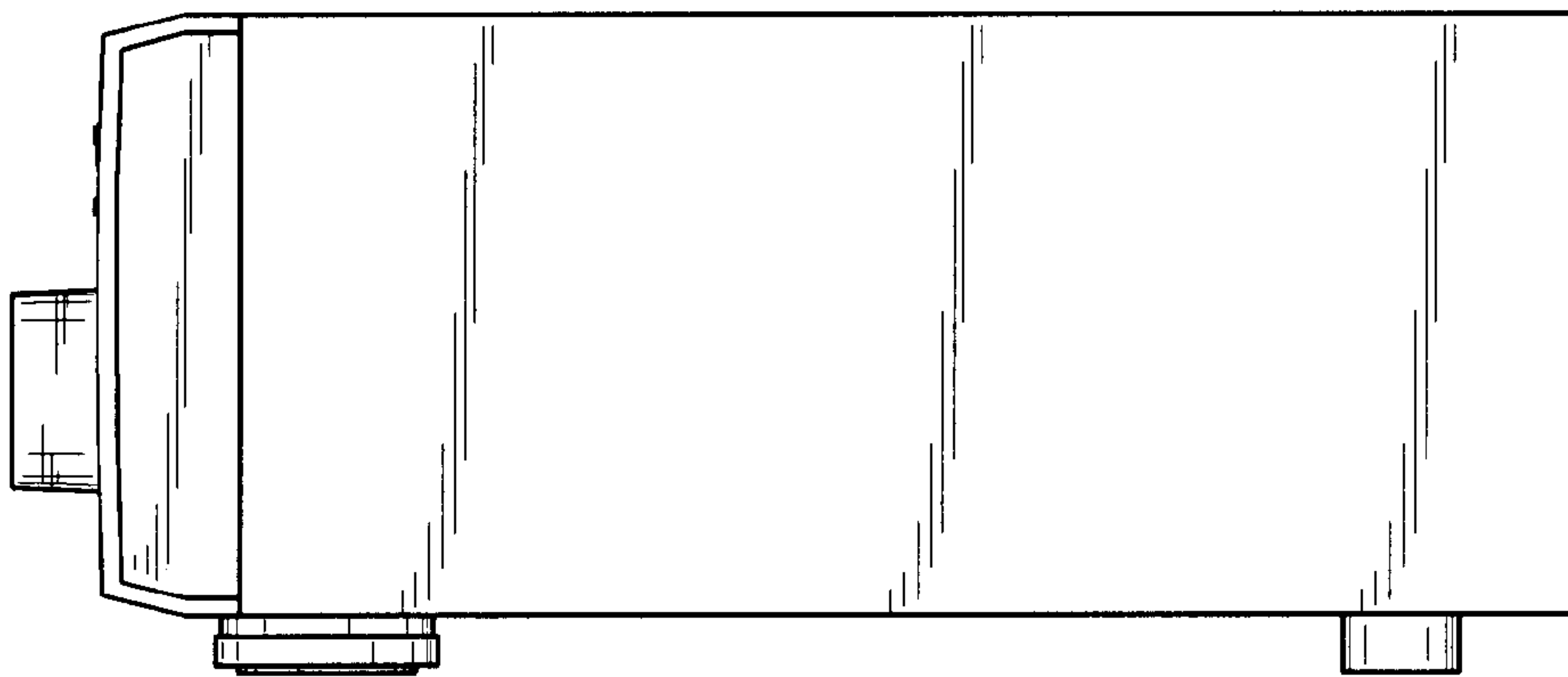


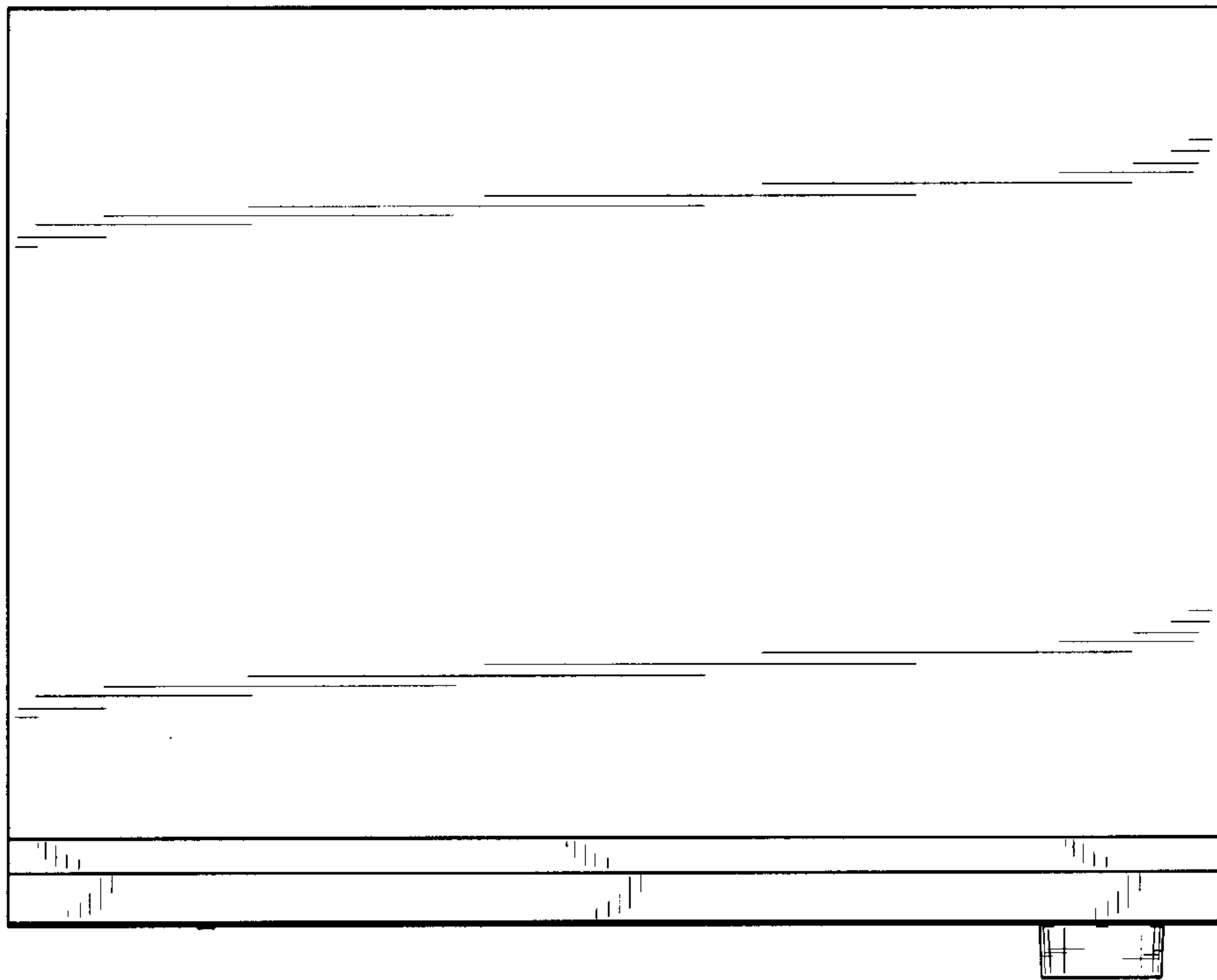
Fig. 3



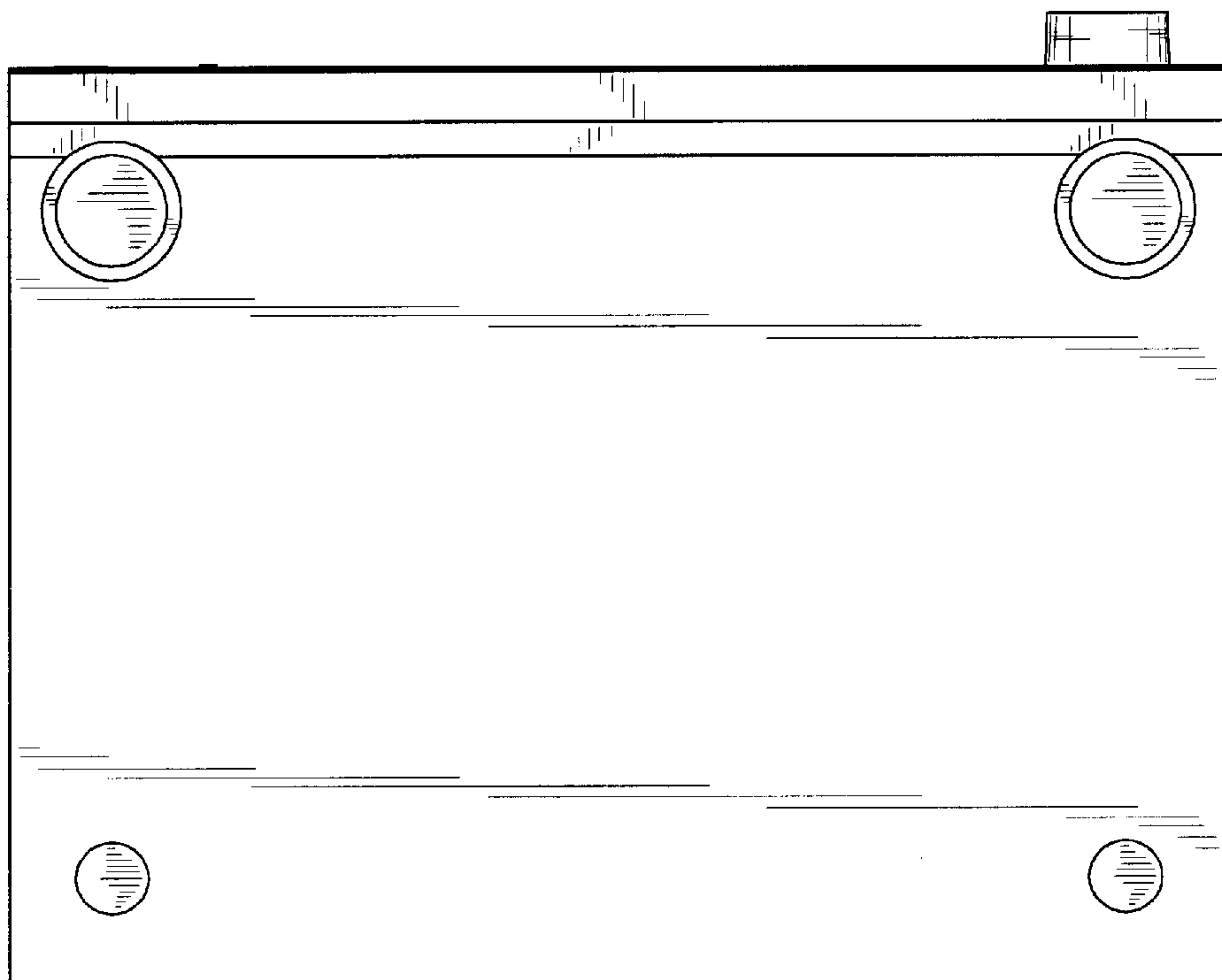
**Fig. 4**



**Fig. 5**



**Fig. 6**



**Fig. 7**

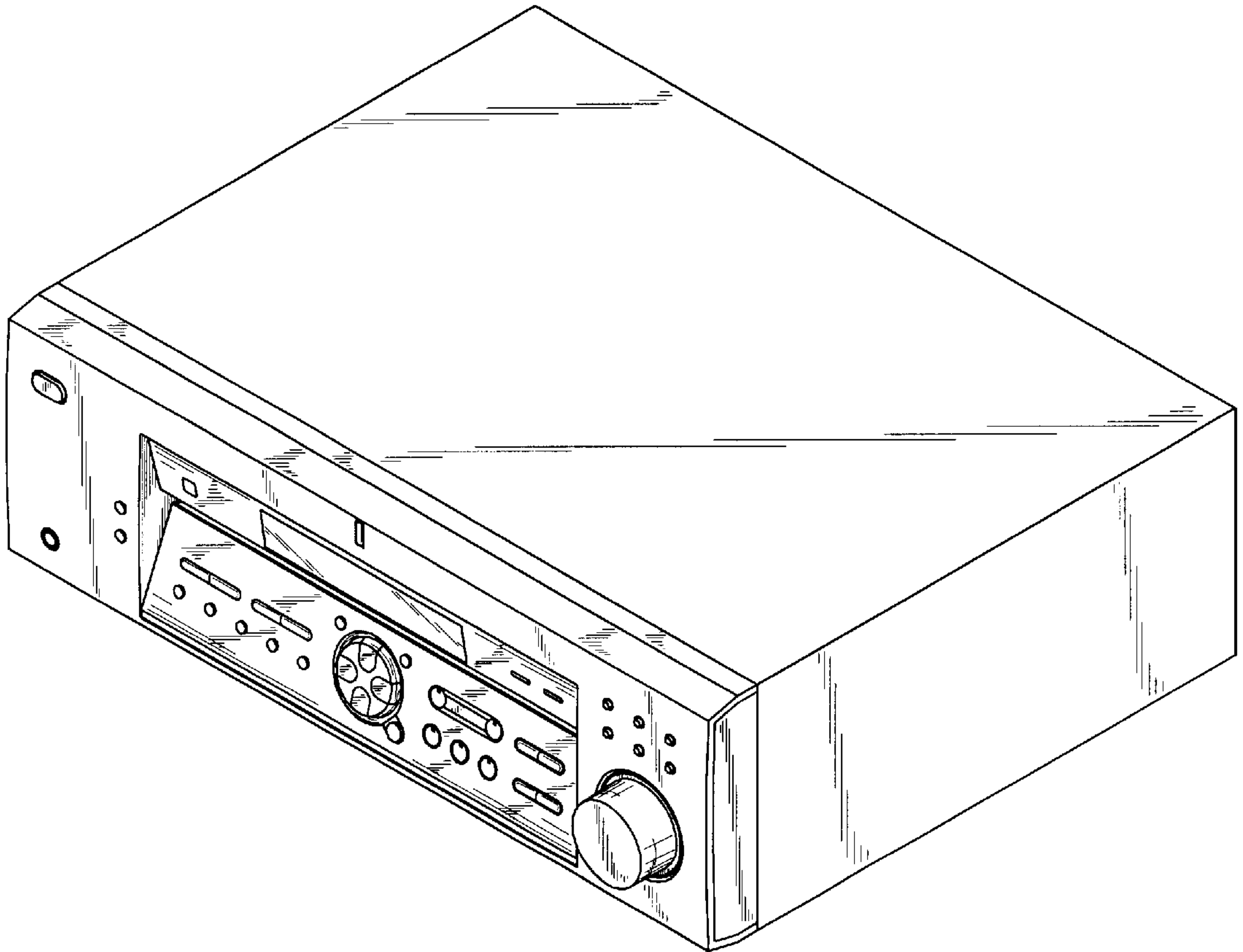
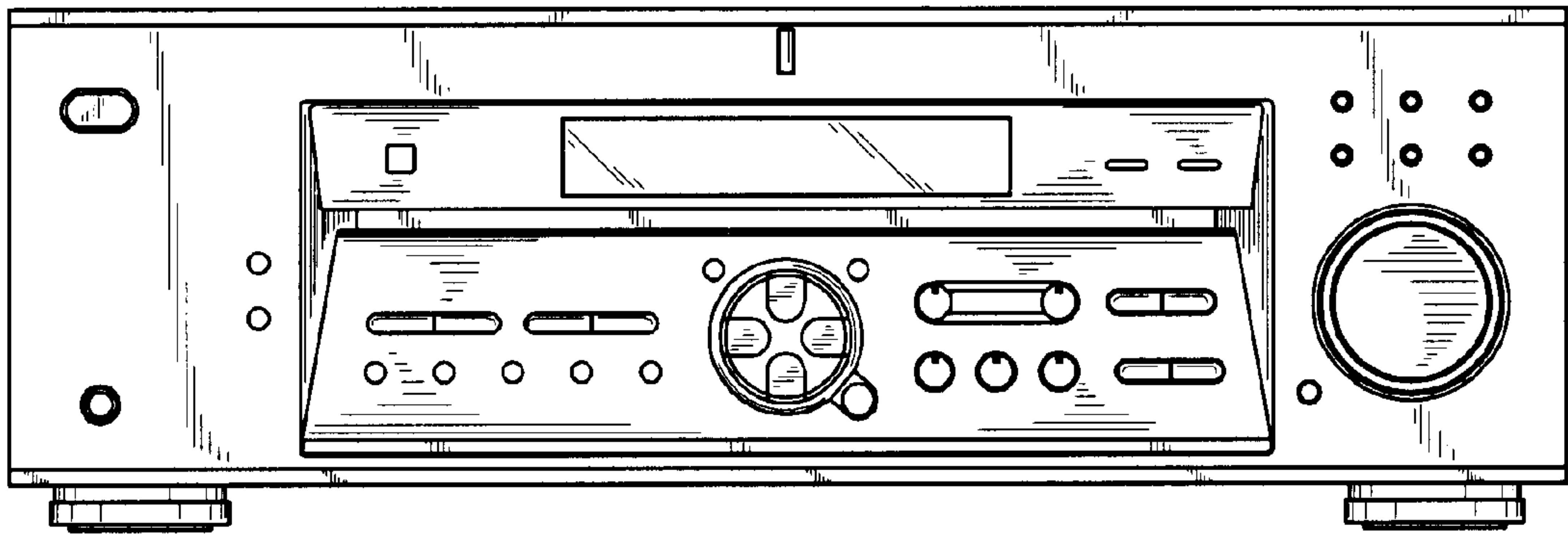
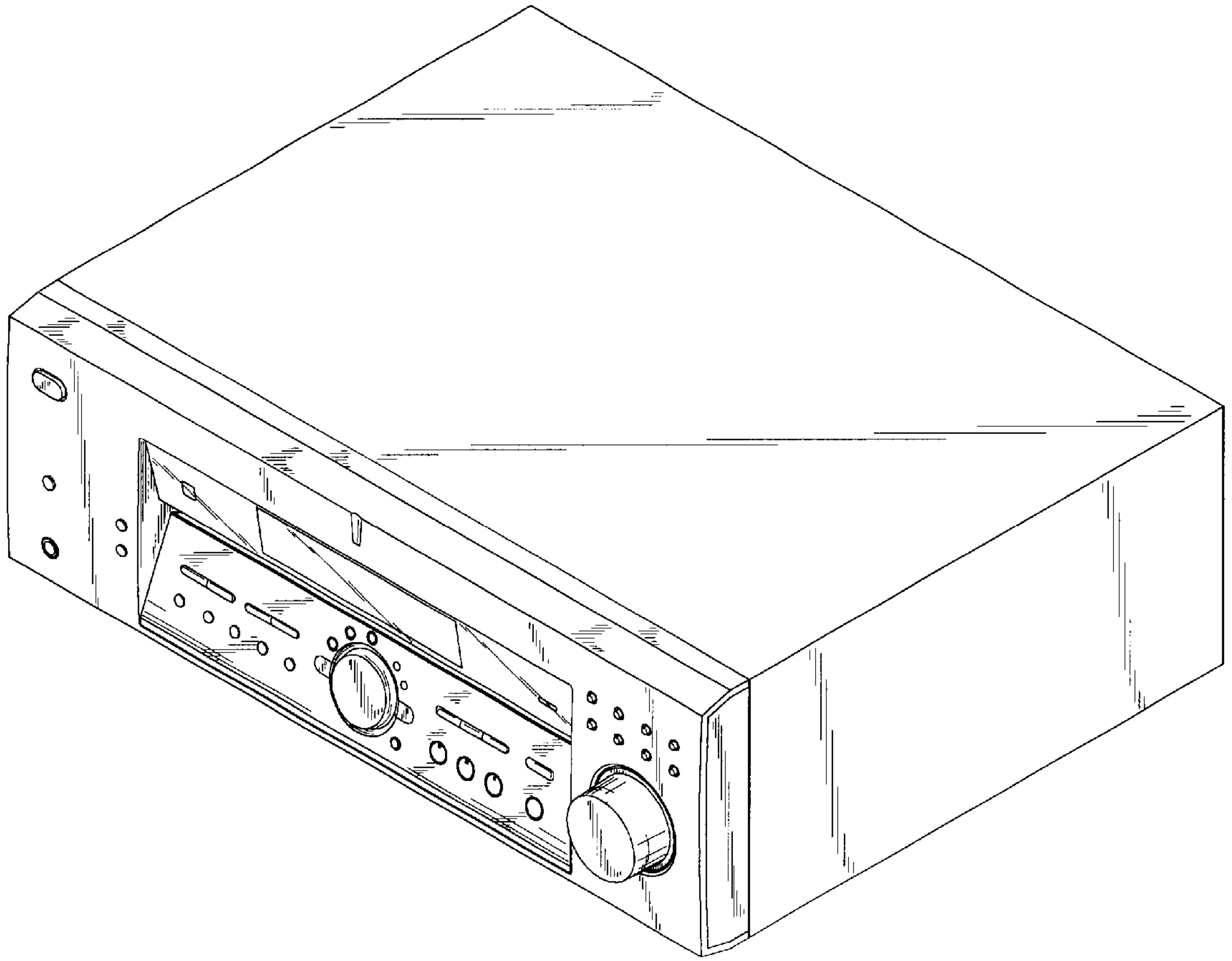


Fig. 8



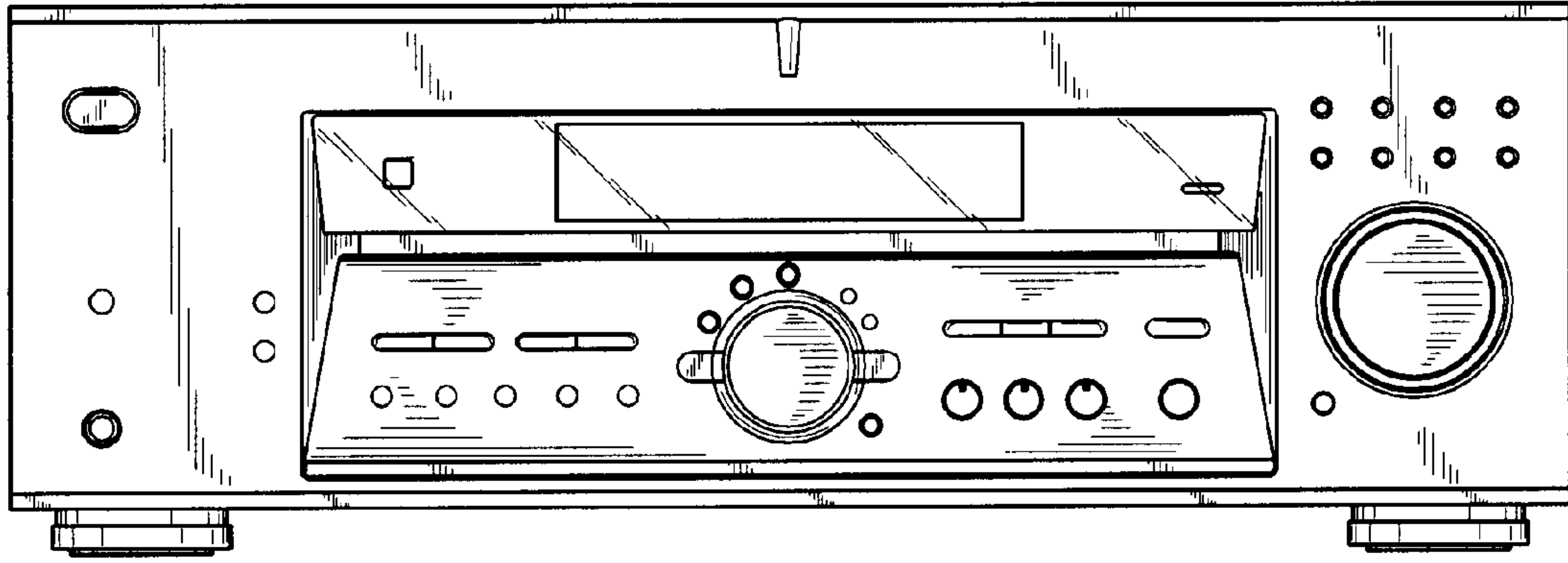
**Fig. 9**



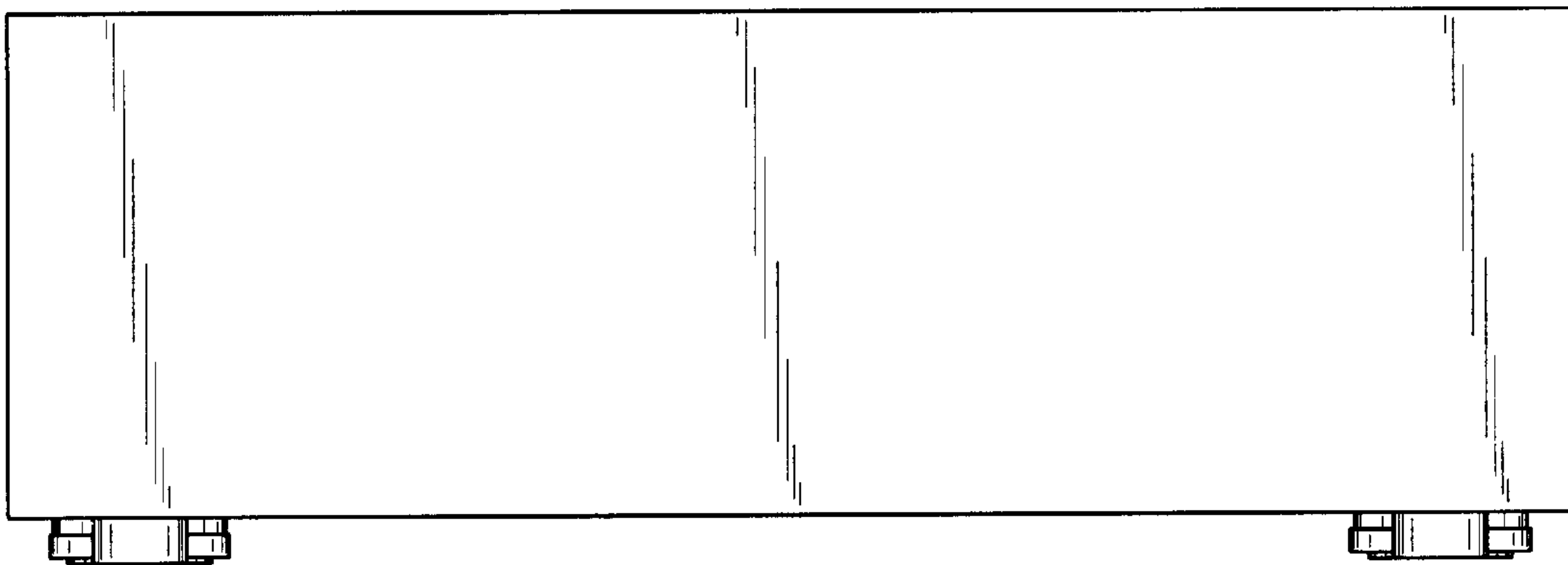


**Fig. 10**

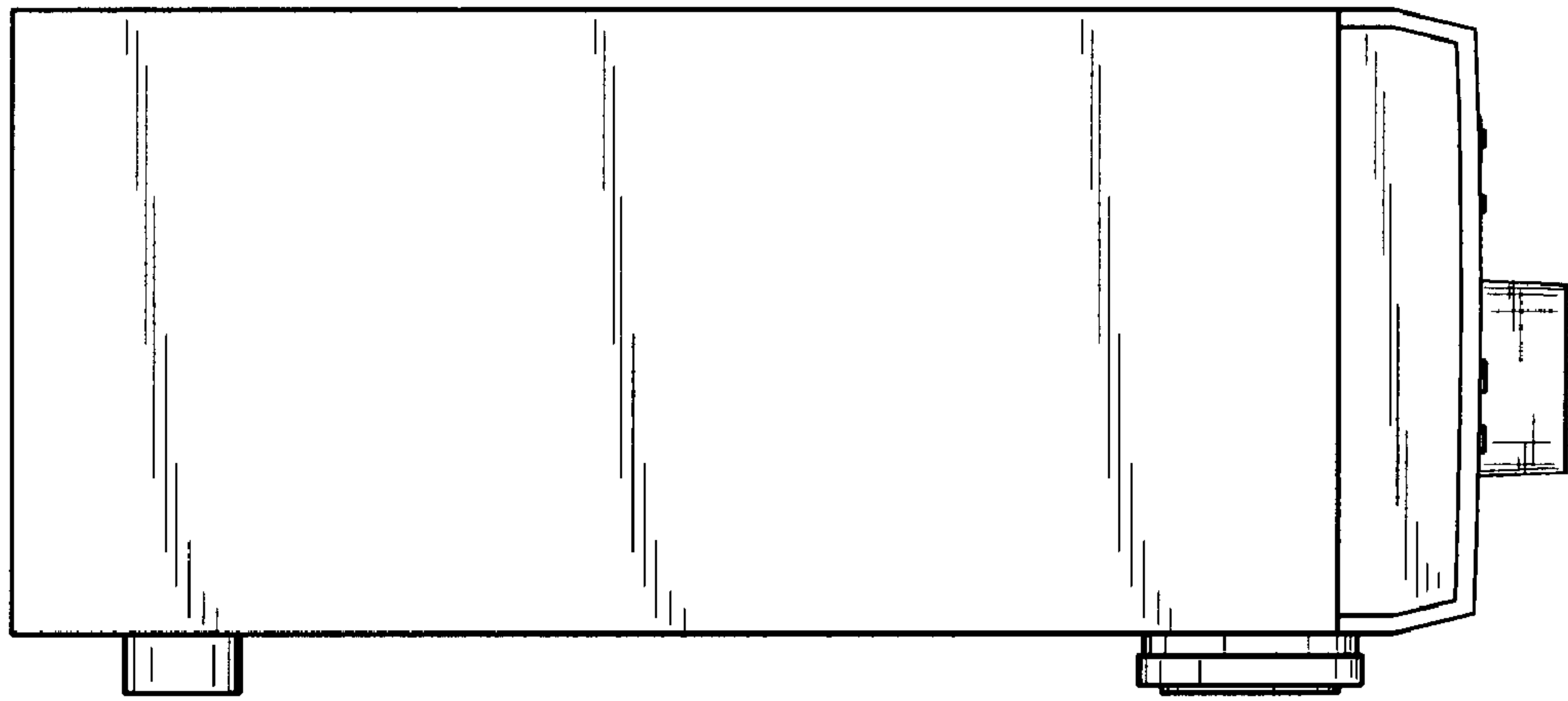




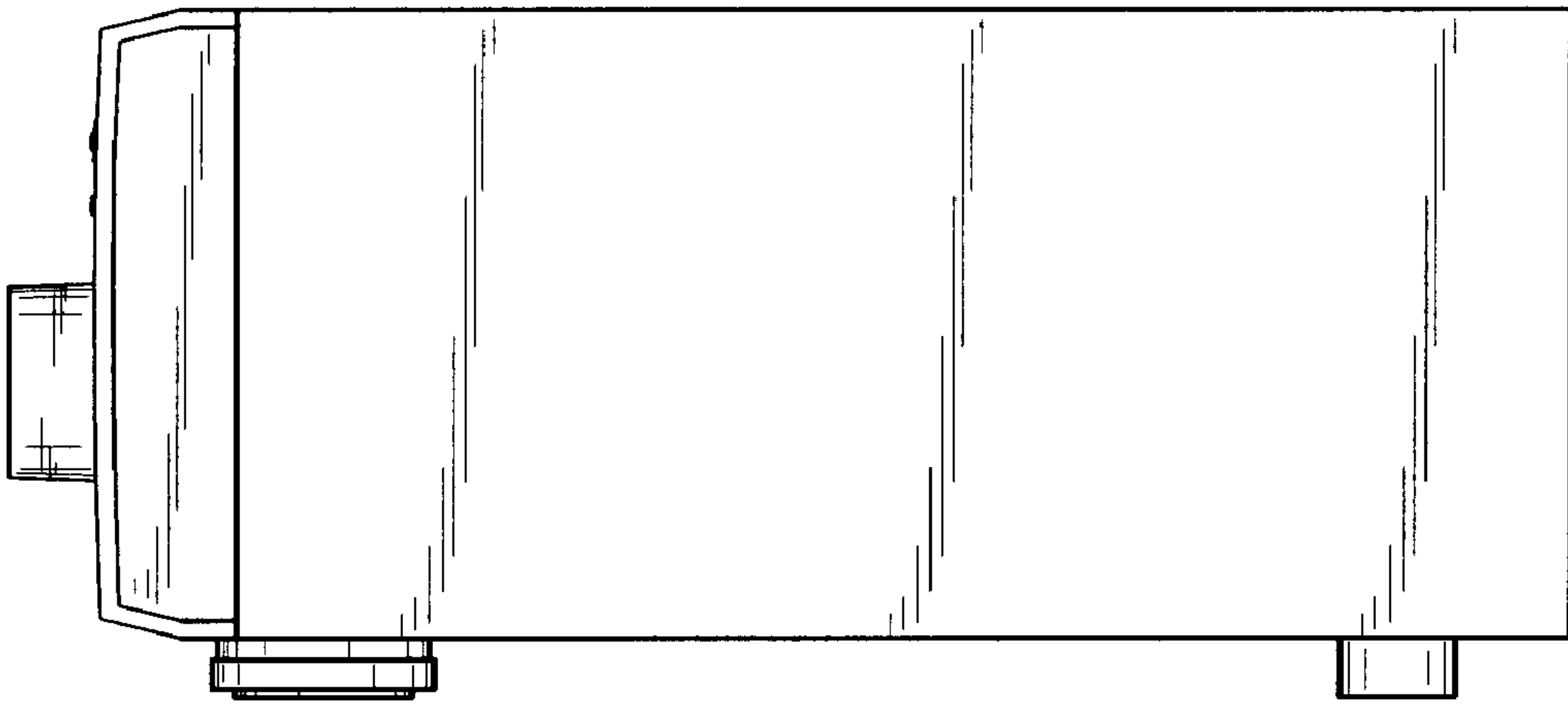
**Fig. 11**



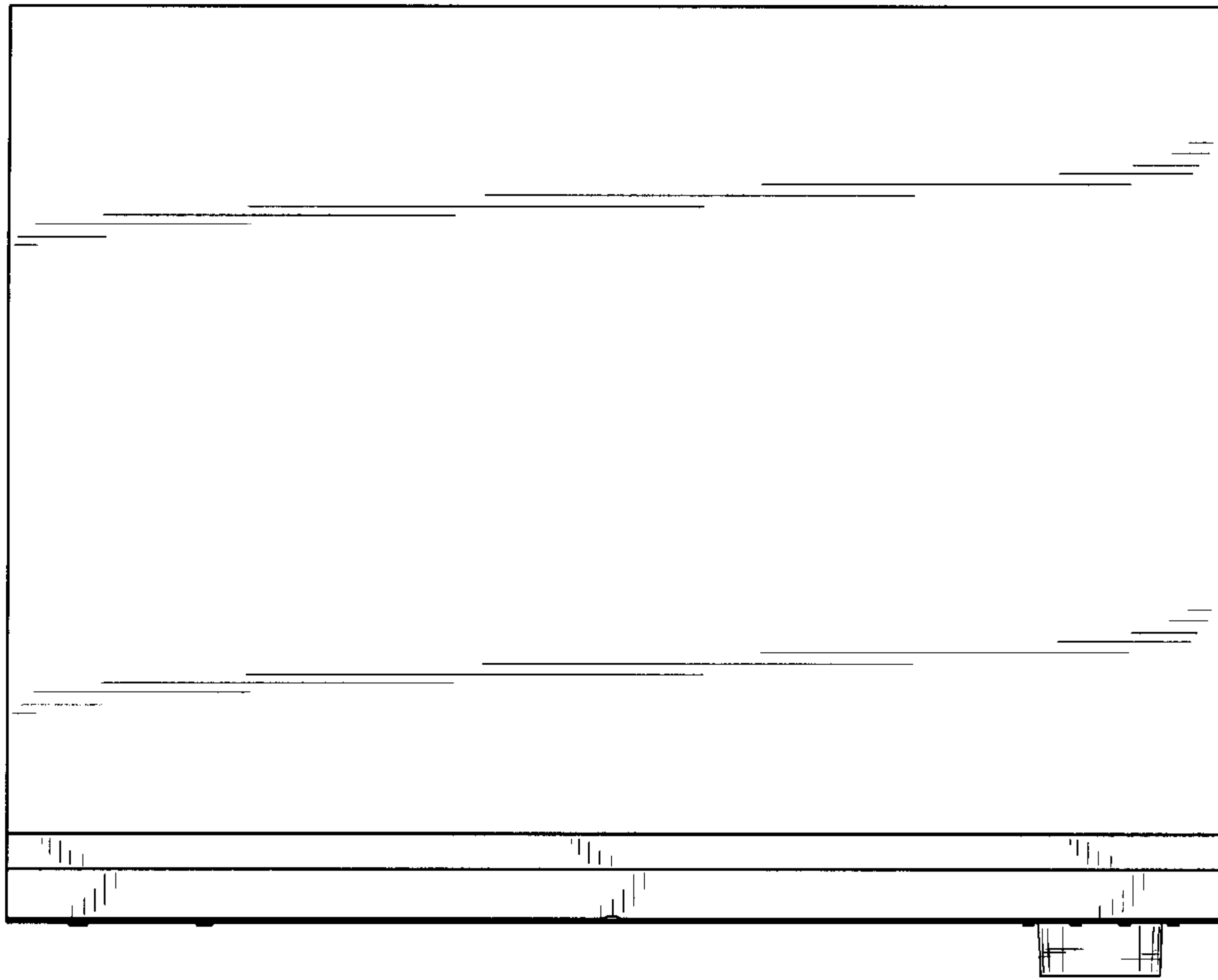
**Fig. 12**



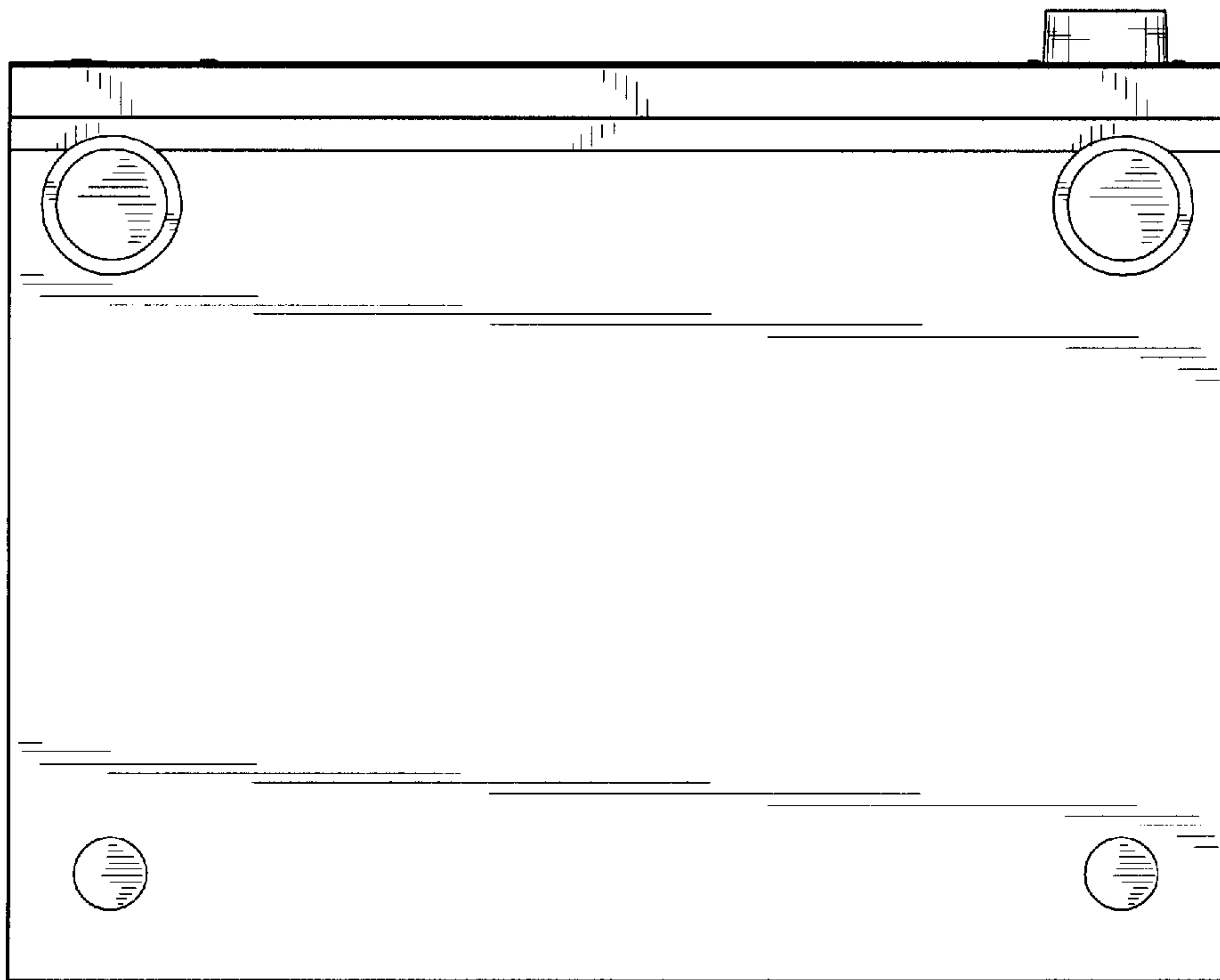
**Fig. 13**



**Fig. 14**



**Fig. 15**



**Fig. 16**

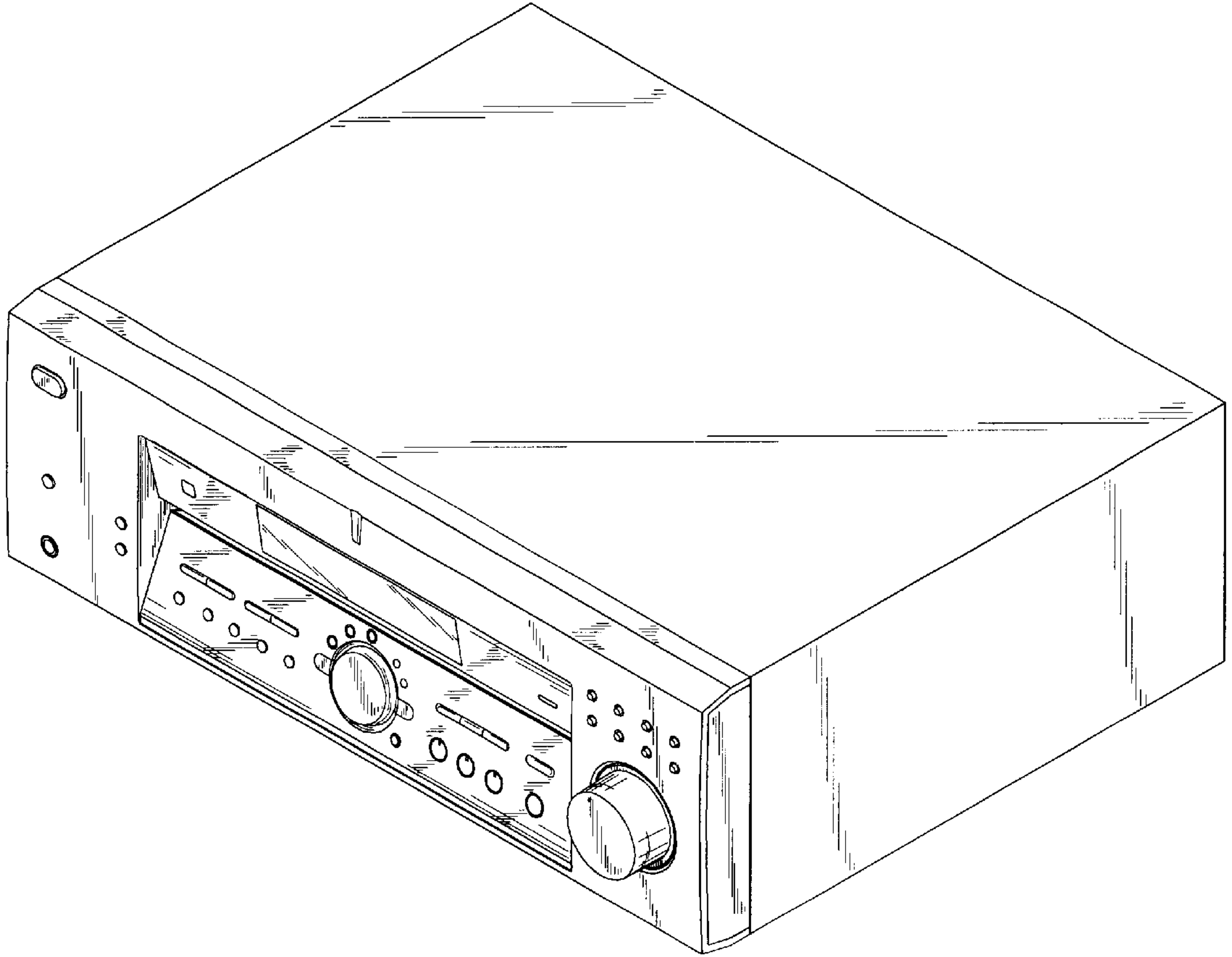
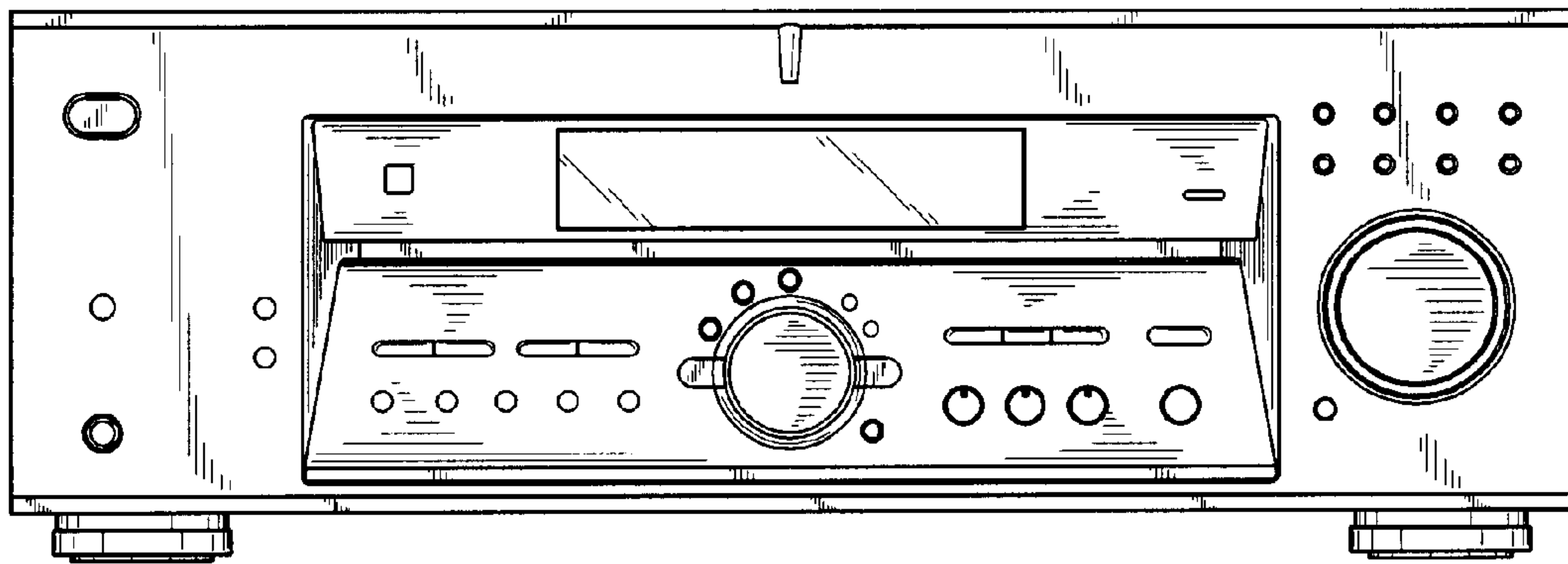


Fig. 17



**Fig. 18**

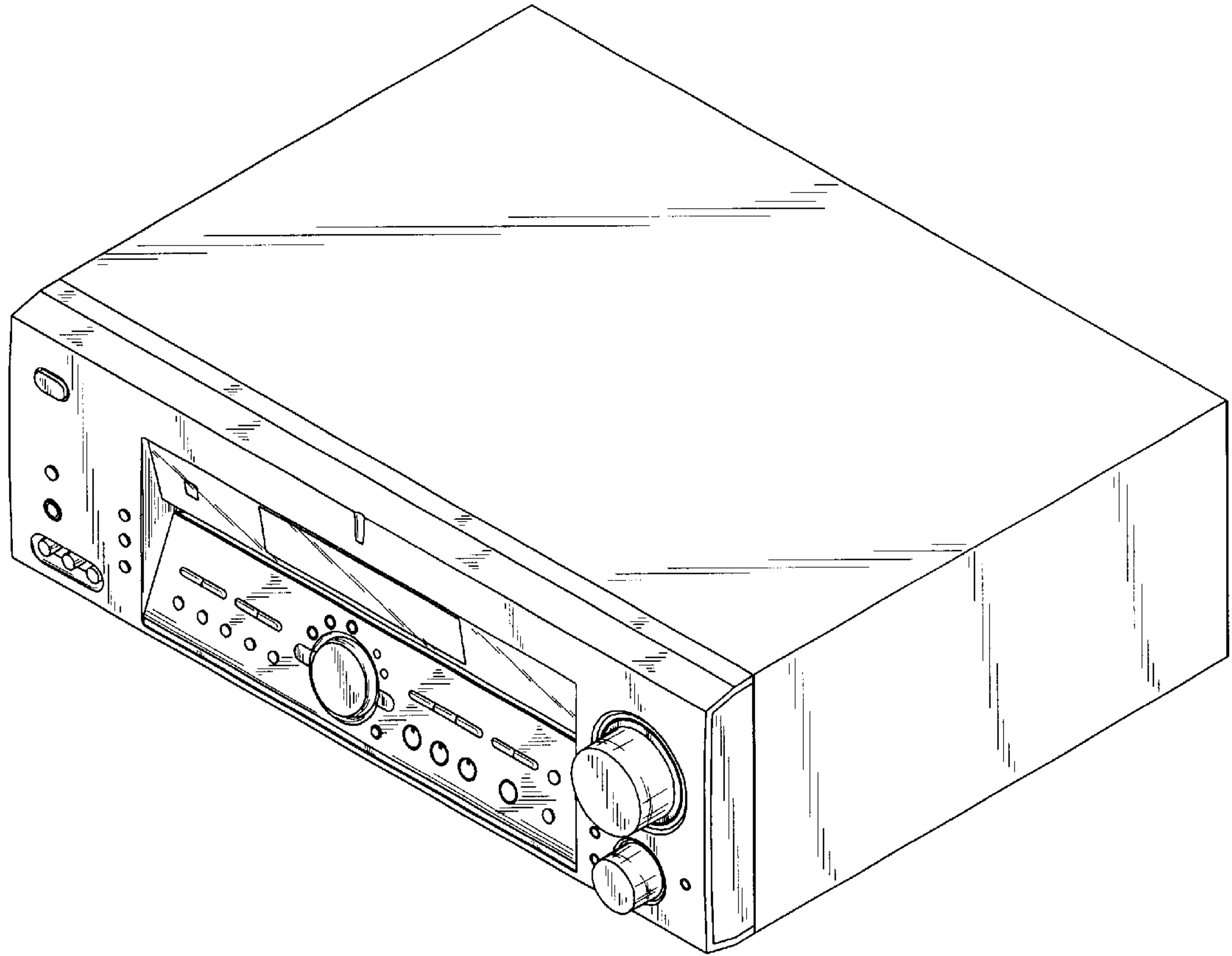
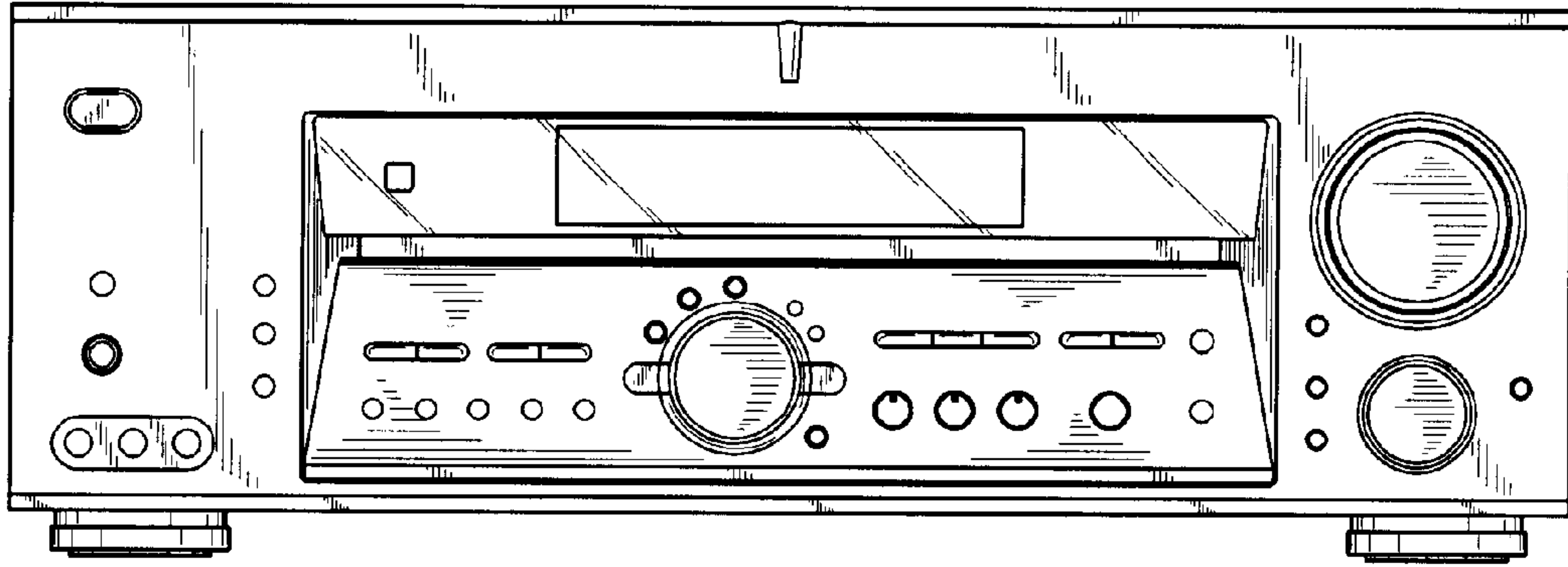
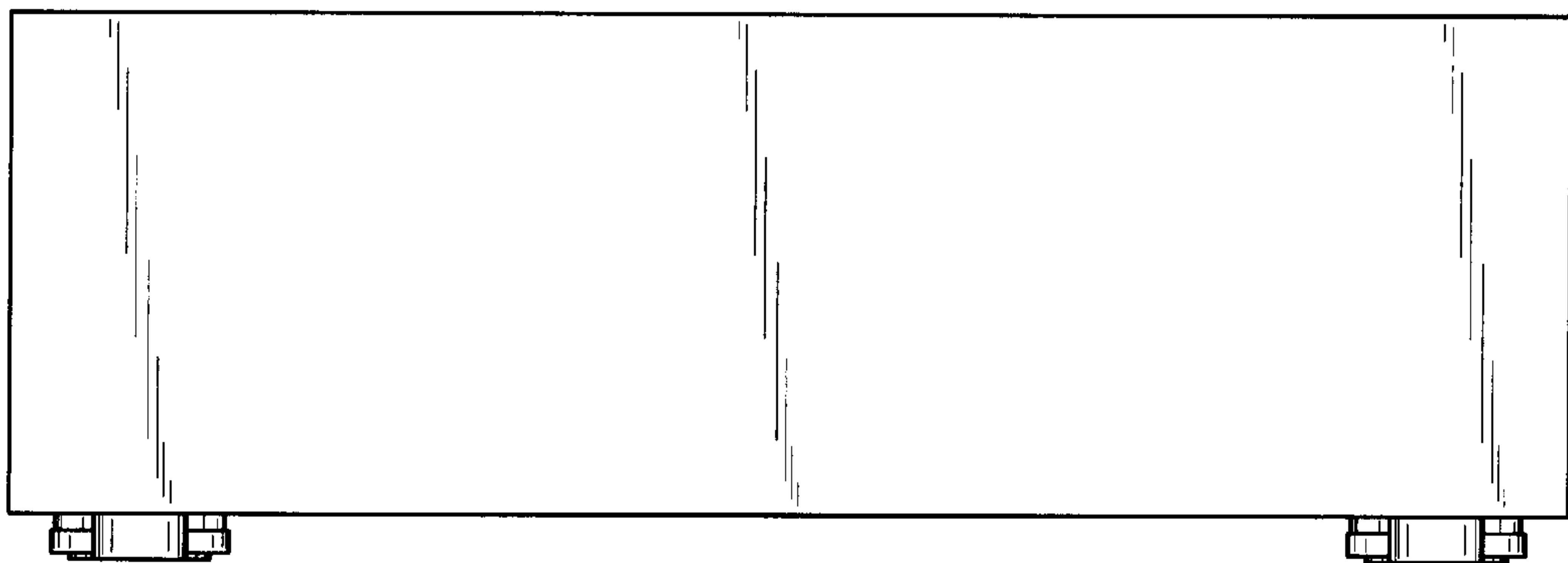


Fig. 19

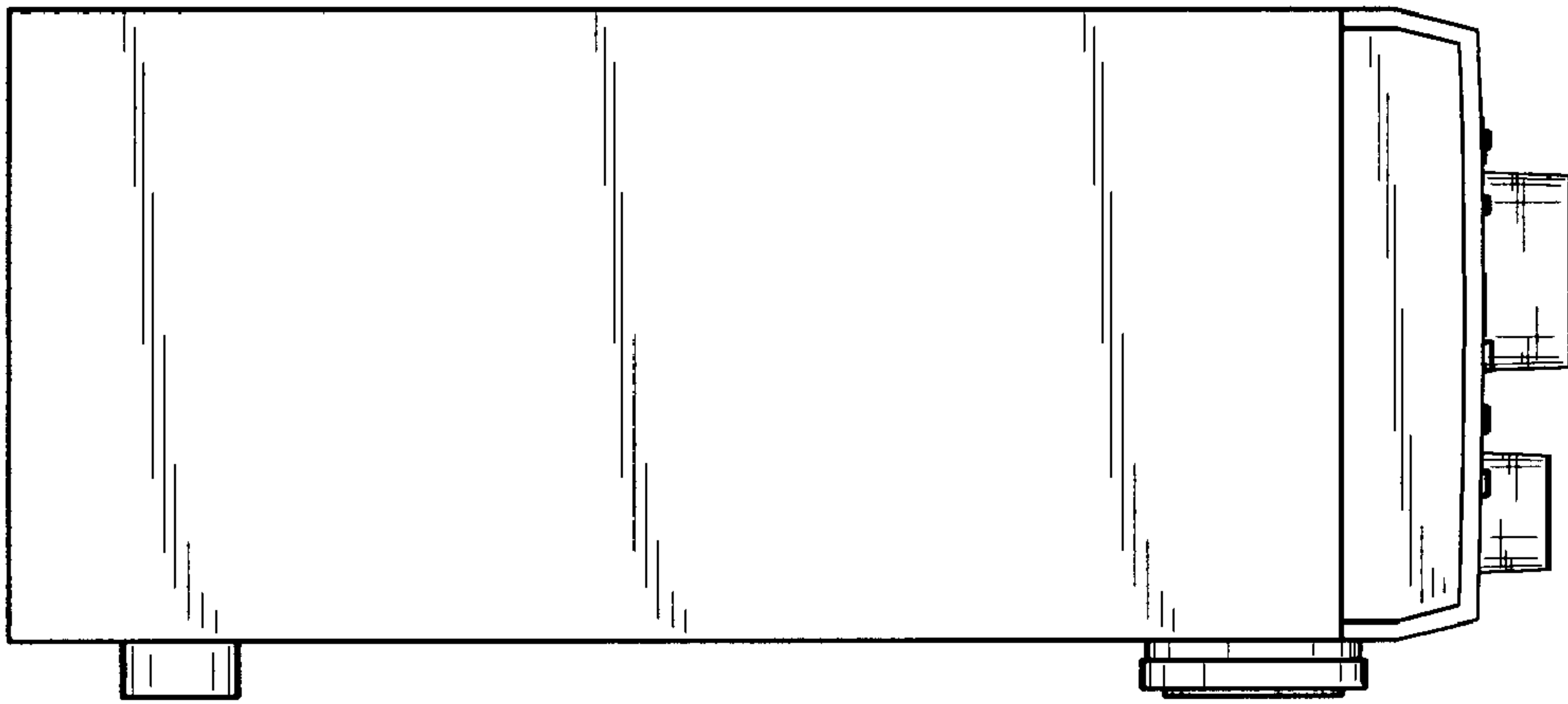


**Fig. 20**

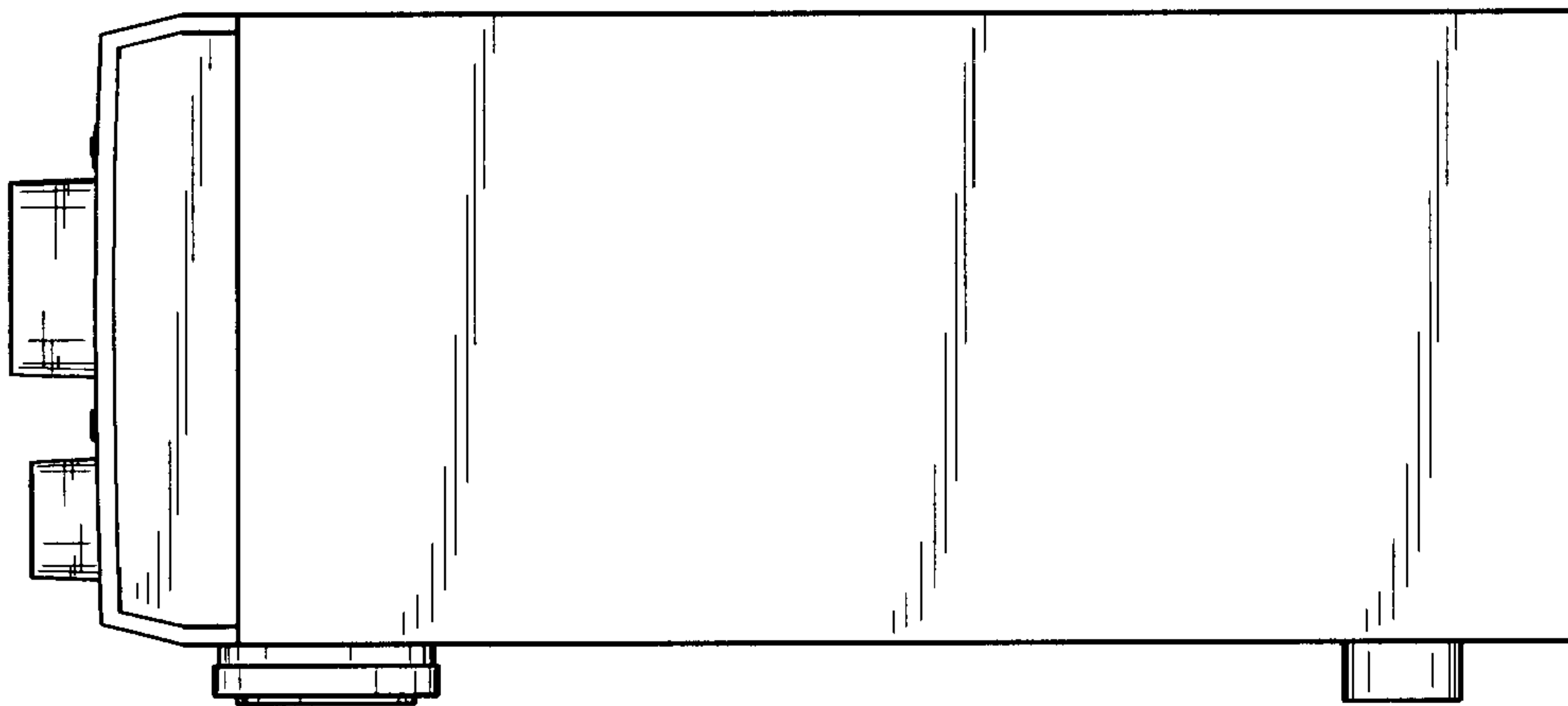


**Fig. 21**

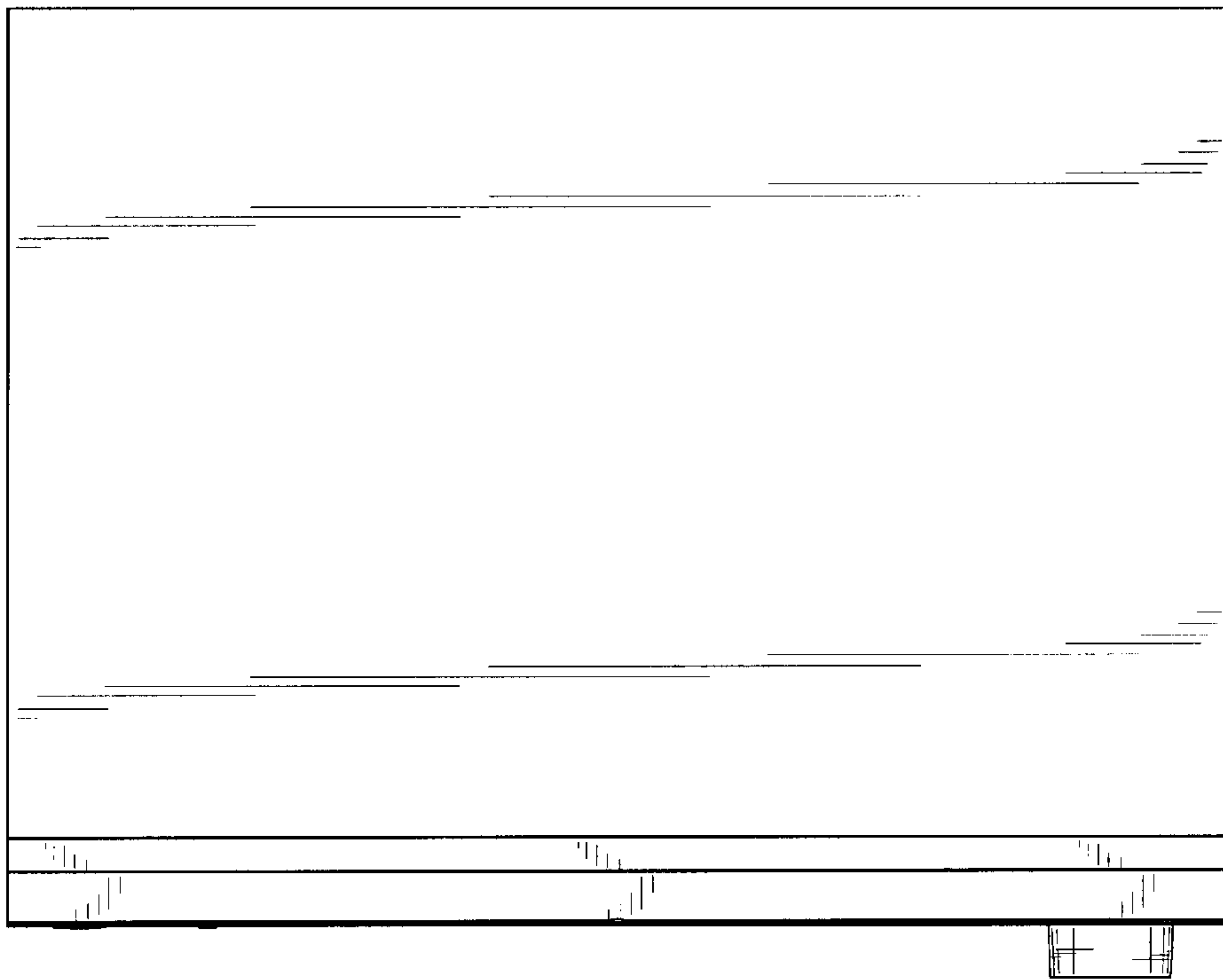




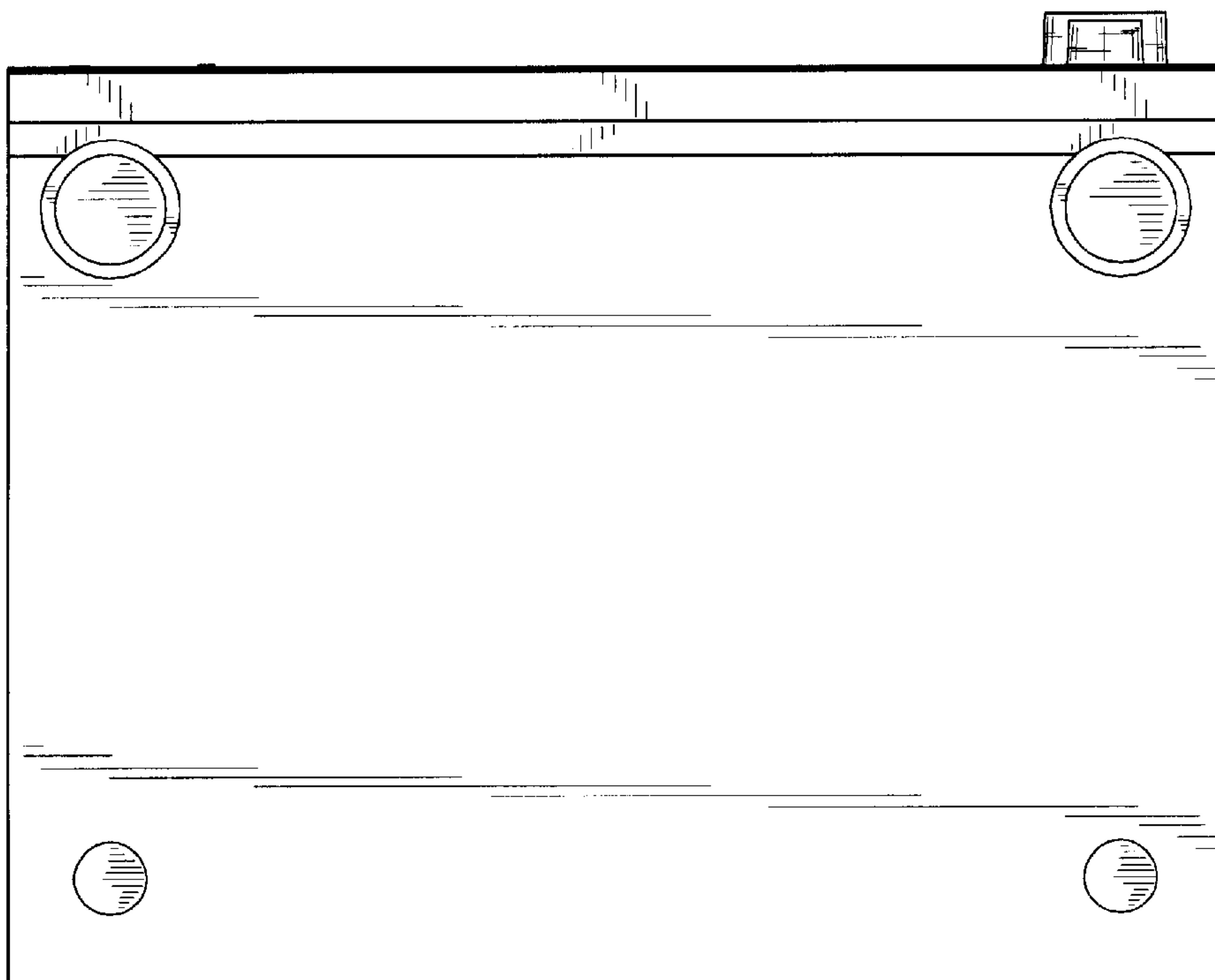
**Fig. 22**



**Fig. 23**



**Fig. 24**



**Fig. 25**

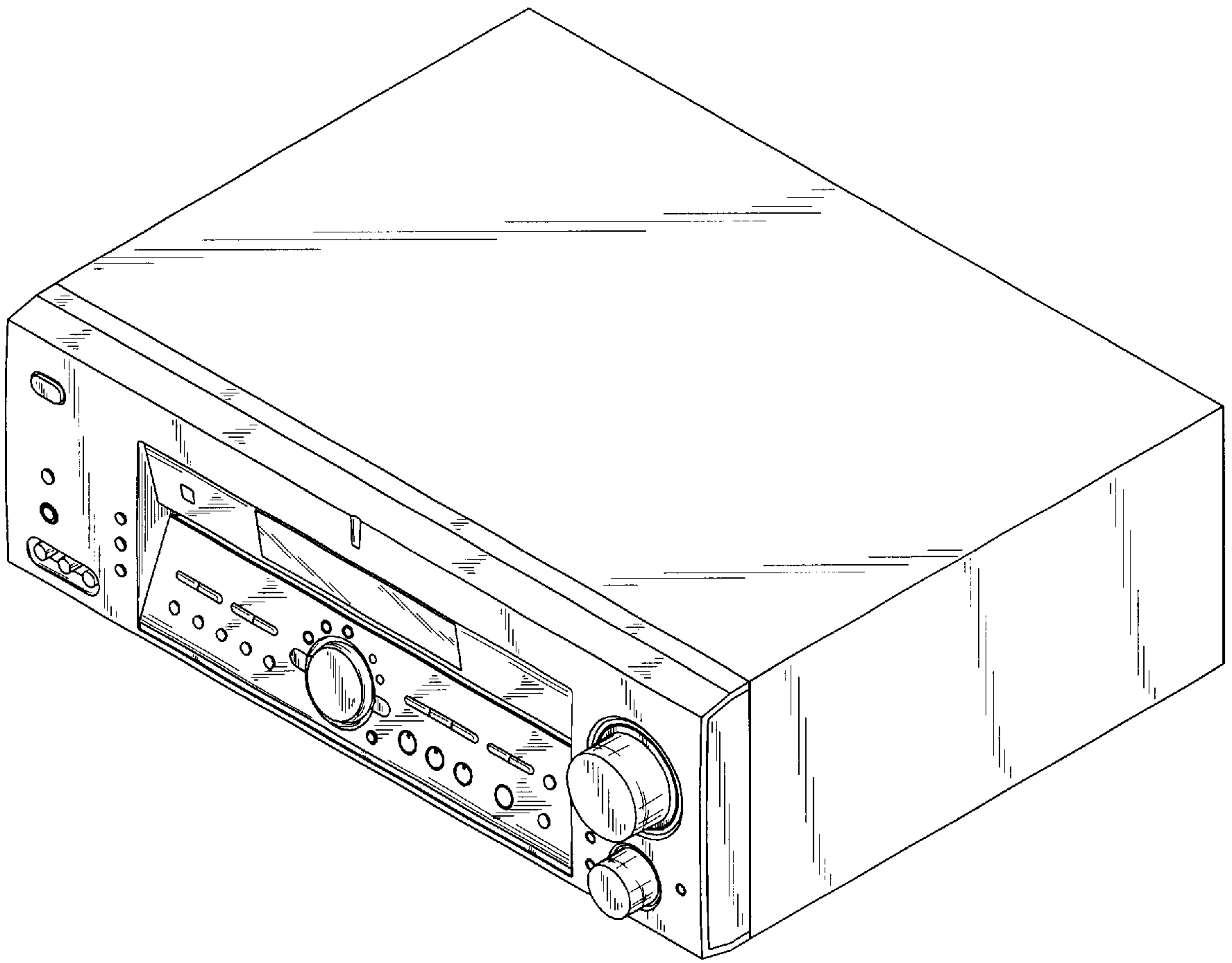
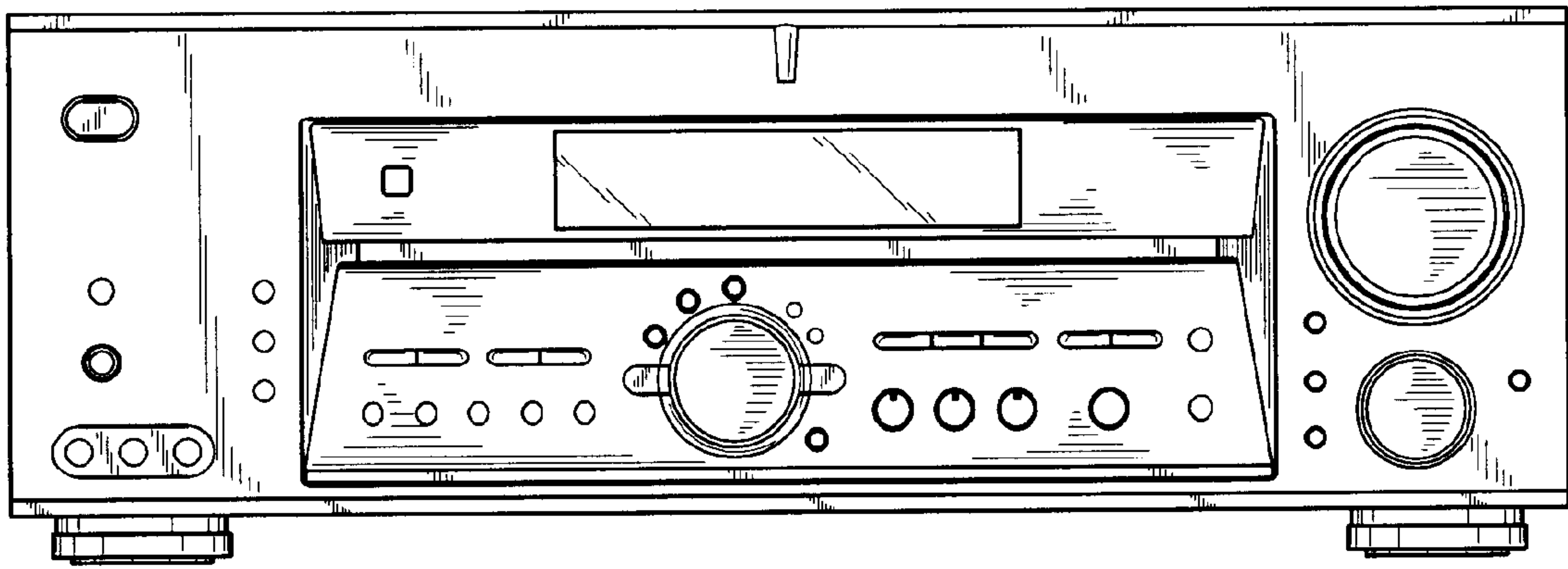


Fig. 26



**Fig. 27**