



US00D459703S

(12) **United States Design Patent**
Aldridge

(10) **Patent No.:** **US D459,703 S**

(45) **Date of Patent:** **** Jul. 2, 2002**

(54) **CABLE CONNECTOR**

(75) **Inventor:** **Ian Edward Aldridge, Hampshire (GB)**

(73) **Assignee:** **Contour Electronics Limited, Hampshire (GB)**

(**) **Term:** **14 Years**

(21) **Appl. No.:** **29/144,481**

(22) **Filed:** **Jul. 3, 2001**

(51) **LOC (7) Cl.** **13-03**

(52) **U.S. Cl.** **D13/147**

(58) **Field of Search** **D13/147, 154;**
439/362, 359, 610

(56) **References Cited**

U.S. PATENT DOCUMENTS

4,456,319 A	*	6/1984	Ricos	439/359
D297,530 S	*	9/1988	Cooper	D13/147
D298,121 S	*	10/1988	Furuhashi	D13/146
D317,149 S	*	5/1991	Phelps et al.	D13/147

D318,265 S	*	7/1991	Esslinger	D13/147
D416,543 S	*	11/1999	Tsai	D13/153
D435,519 S	*	12/2000	Lee	D13/147
6,341,986 B1	*	1/2002	Ko	439/610

* cited by examiner

Primary Examiner—Joel Sincavage

(74) *Attorney, Agent, or Firm*—George R. McGuire; Hancock & Estabrook, LLP

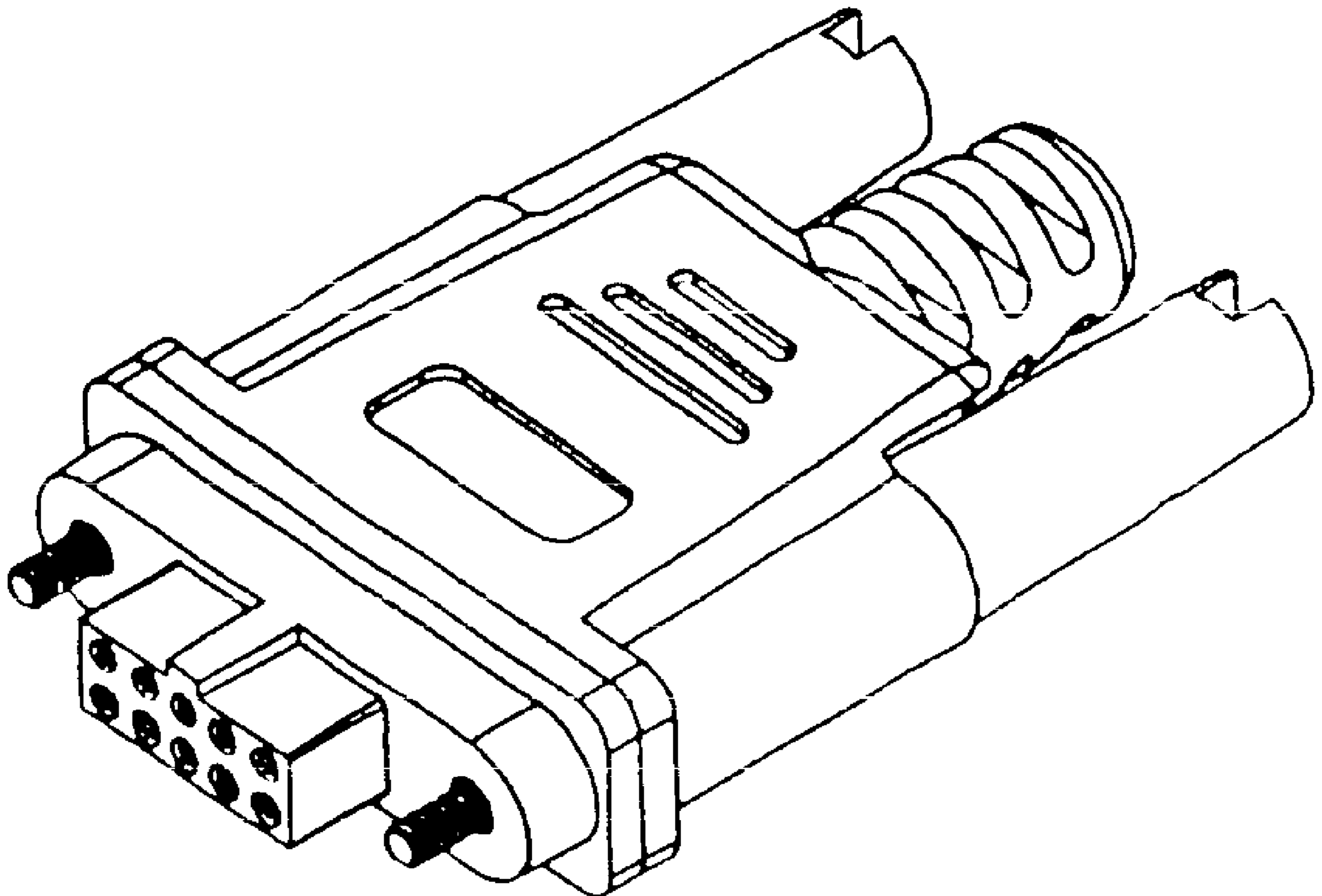
(57) **CLAIM**

The ornamental design for a cable connector, as shown and described.

DESCRIPTION

FIG. 1 is a front perspective view from above and one side of a cable connector showing my new design; FIG. 2 is a front view thereof; FIG. 3 is an underneath plan view thereof; FIG. 4 is a rear view thereof; FIG. 5 is a view from the other side thereof; and, FIG. 6 is a view from one side.

1 Claim, 1 Drawing Sheet



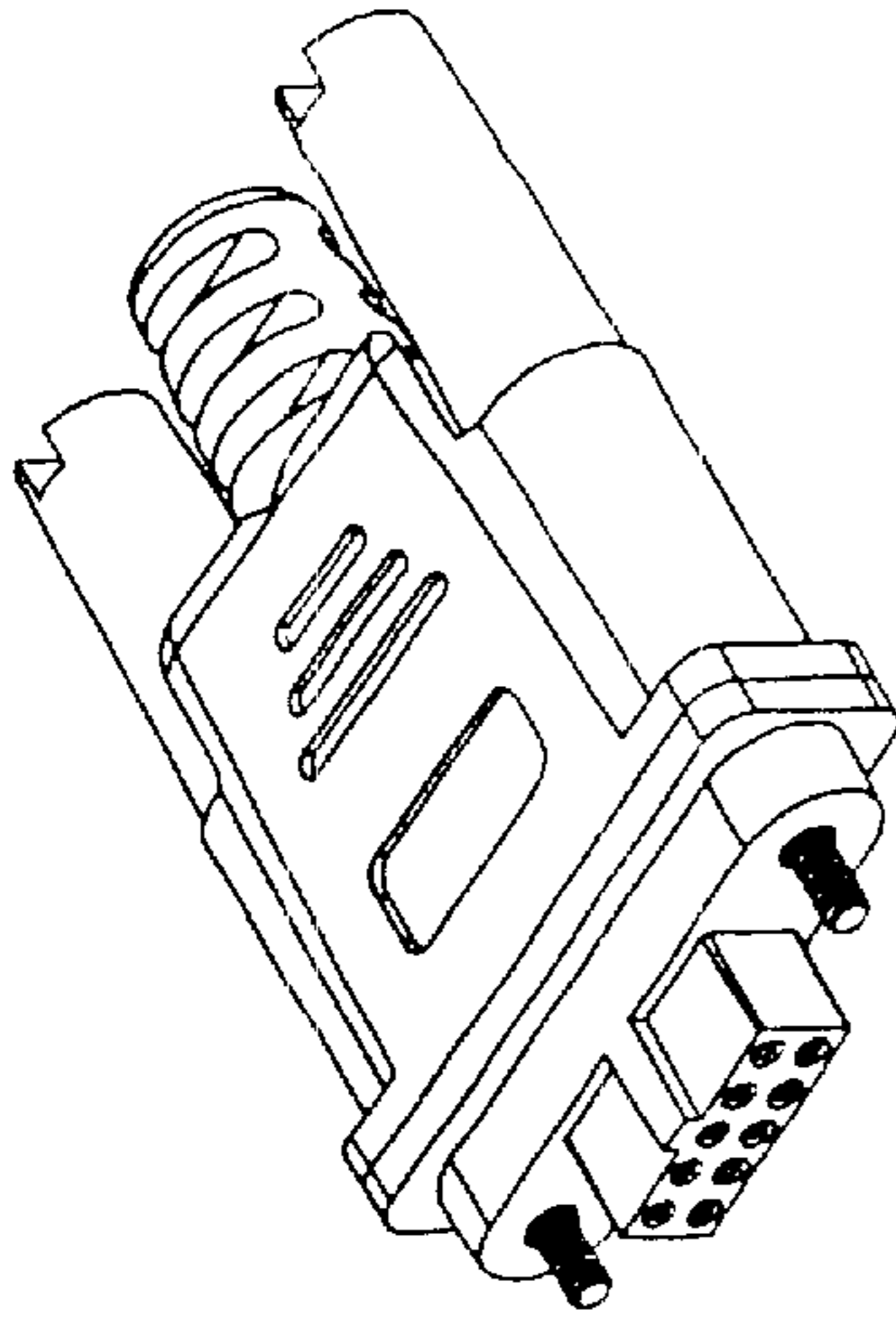


FIG. 1

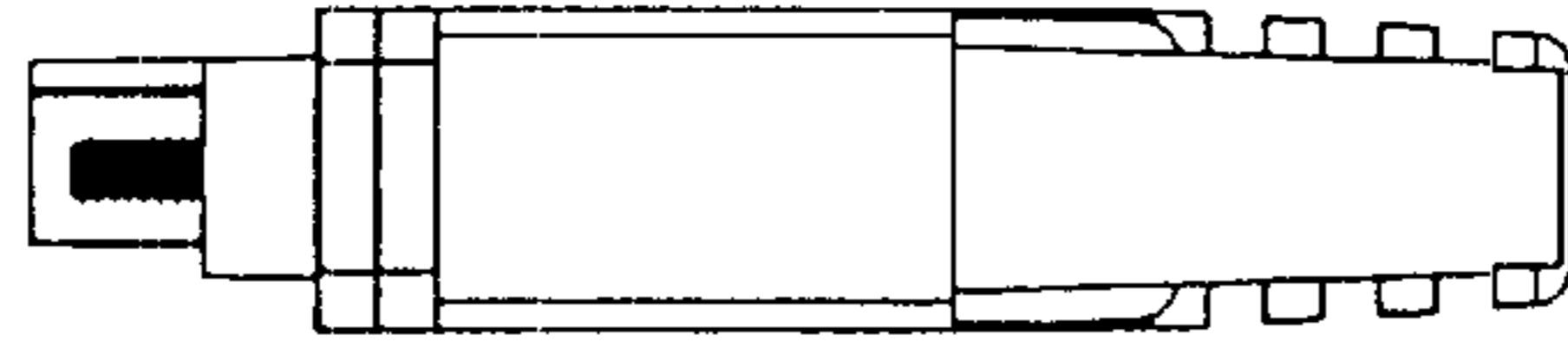


FIG. 6

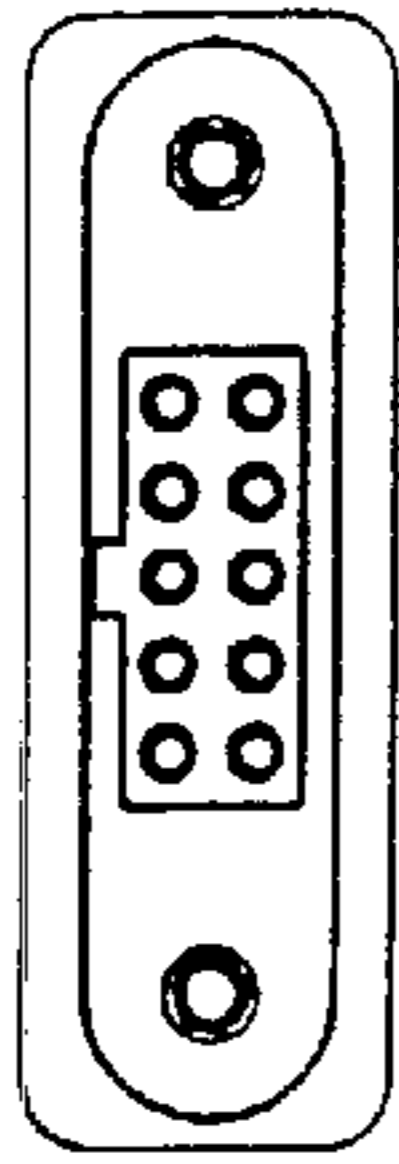


FIG. 2

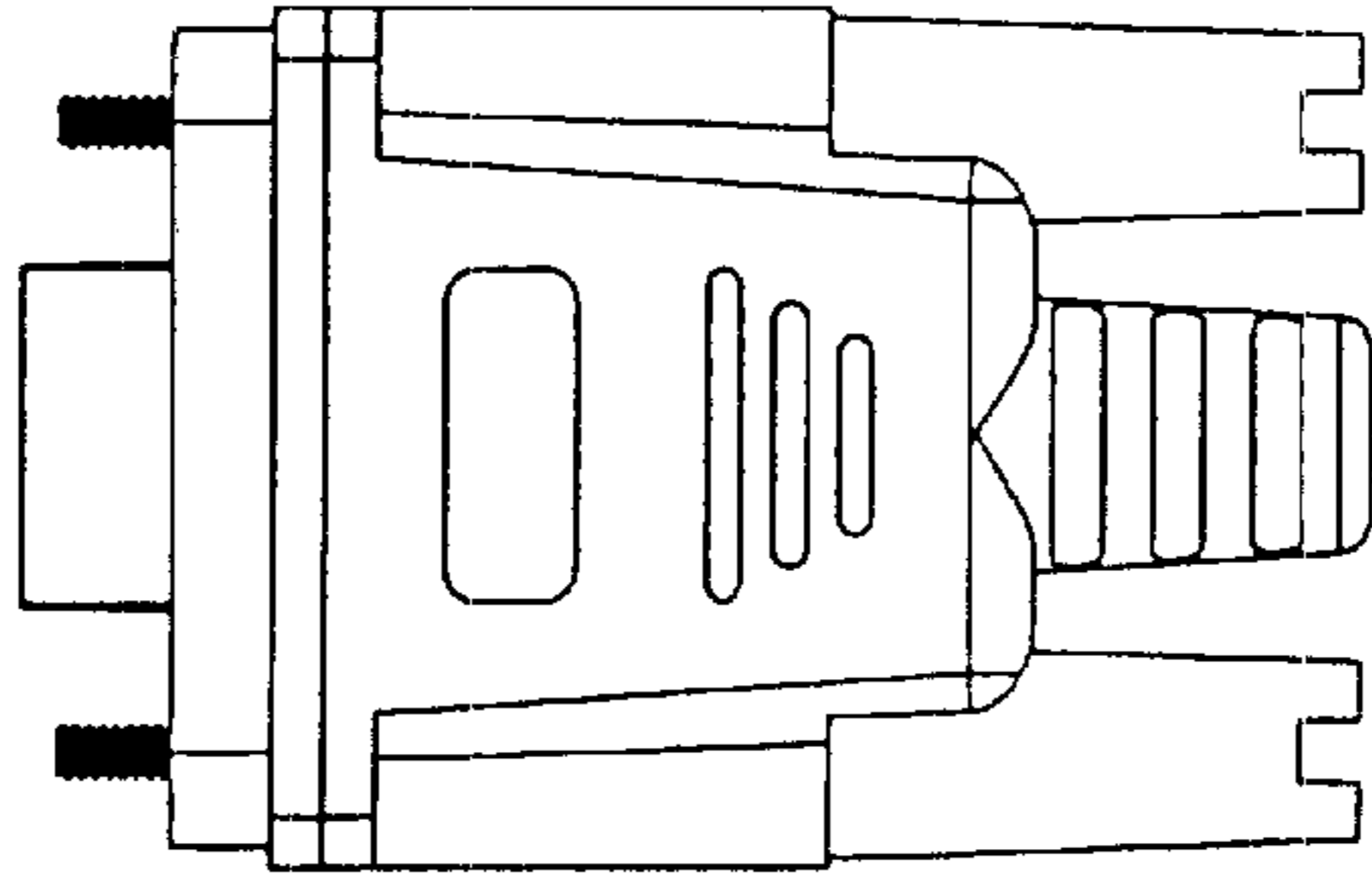


FIG. 3

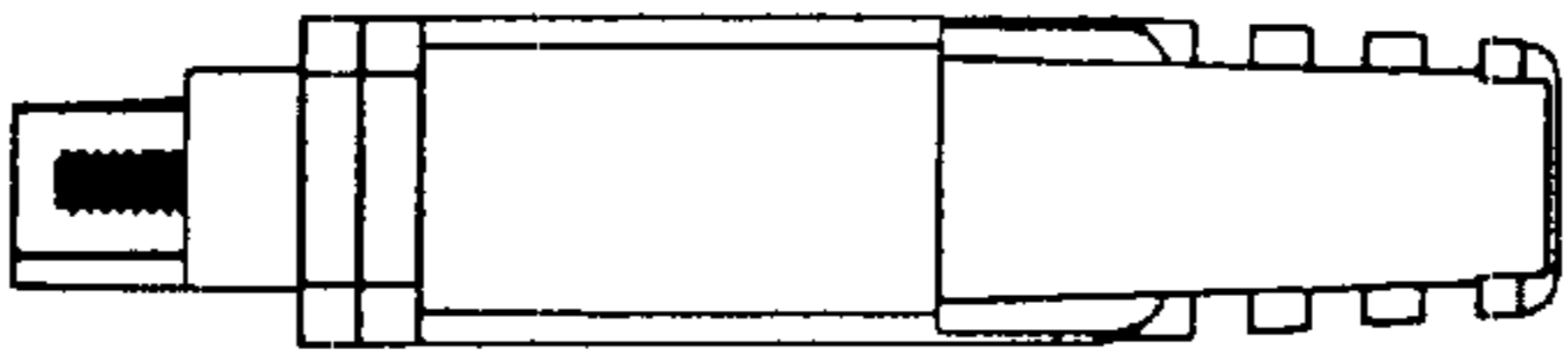


FIG. 5

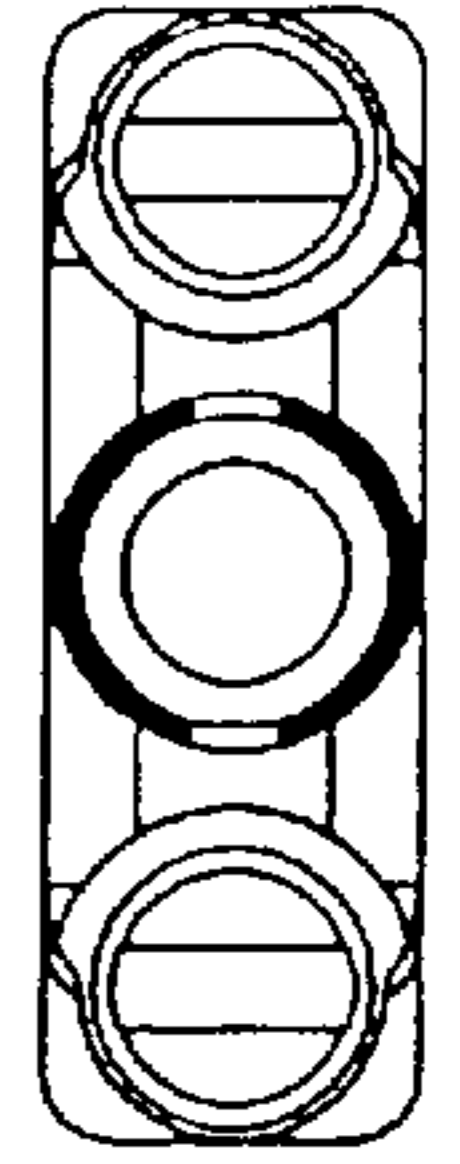


FIG. 4