



US00D459702S

(12) **United States Design Patent**
Watanabe

(10) **Patent No.:** **US D459,702 S**

(45) **Date of Patent:** **** Jul. 2, 2002**

(54) **ELECTRICAL CONNECTOR**

(75) Inventor: **Masashi Watanabe, Akishima (JP)**

(73) Assignee: **Japan Aviation Electronics Industry, Limited, Tokyo (JP)**

(**) Term: **14 Years**

(21) Appl. No.: **29/144,130**

(22) Filed: **Jun. 26, 2001**

(30) **Foreign Application Priority Data**

Jan. 12, 2001 (JP) 2001-003582

(51) **LOC (7) Cl.** **13-03**

(52) **U.S. Cl.** **D13/147**

(58) **Field of Search** D13/147; 439/153,
439/155, 157, 160, 372, 310

(56) **References Cited**

U.S. PATENT DOCUMENTS

- 5,474,461 A * 12/1995 Saito et al. 439/157
- 5,476,391 A * 12/1995 Katsuma 439/157
- 5,609,494 A * 3/1997 Yamaguchi et al. 439/157
- 5,616,038 A * 4/1997 Okamoto et al. 439/157
- 5,904,583 A * 5/1999 Katsuma et al. 439/157
- 6,019,618 A * 2/2000 Nakata 439/157

- 6,045,384 A * 4/2000 Norizuki et al. 439/310
- 6,099,330 A * 8/2000 Gundermann et al. 439/157
- 6,241,540 B1 * 6/2001 Tokuya 439/157
- 6,296,510 B1 * 10/2001 Daniels et al. 439/372
- 2001/0046798 A1 * 11/2001 Noro et al. 439/157

* cited by examiner

Primary Examiner—Joel Sincavage

(74) *Attorney, Agent, or Firm*—Michael Best & Friedrich LLC; Laff, Whitesel & Saret, Ltd.; J. Warren Whitesel

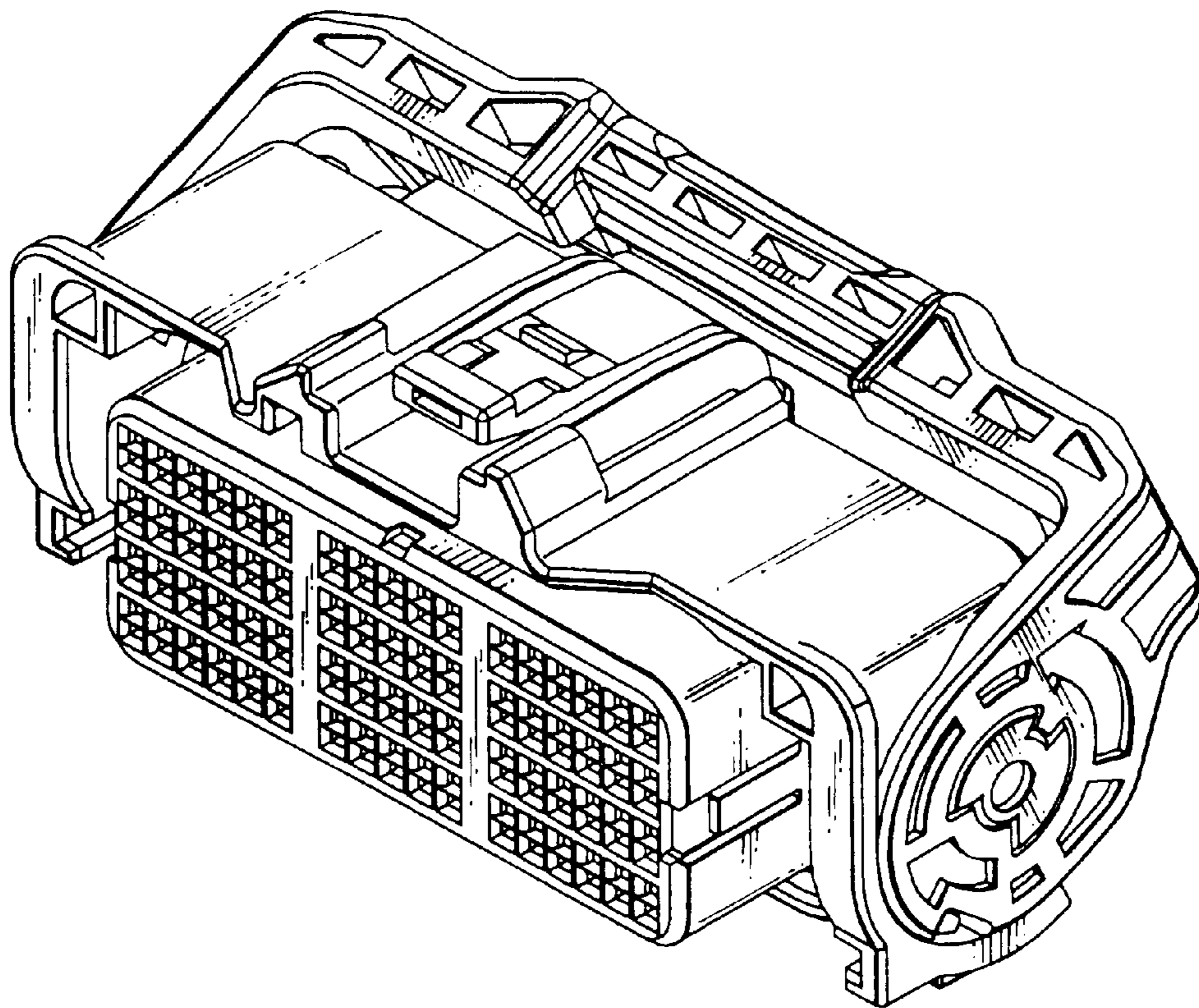
(57) **CLAIM**

The ornamental design for an electrical connector, as shown and described.

DESCRIPTION

FIG. 1 is a front elevational view of an electrical connector; FIG. 2 is a rear elevational view thereof; FIG. 3 is a right side elevational view thereof; FIG. 4 is a top plan view thereof; FIG. 5 is a bottom plan view thereof; and, FIG. 6 is an enlarged cross-sectional view thereof along a line 6—6 in FIG. 1; and, FIG. 7 is a front, top, and right side perspective view thereof. A left side elevational view of the electrical connector is omitted because it is presented symmetrical to the right side elevational view of FIG. 3.

1 Claim, 4 Drawing Sheets



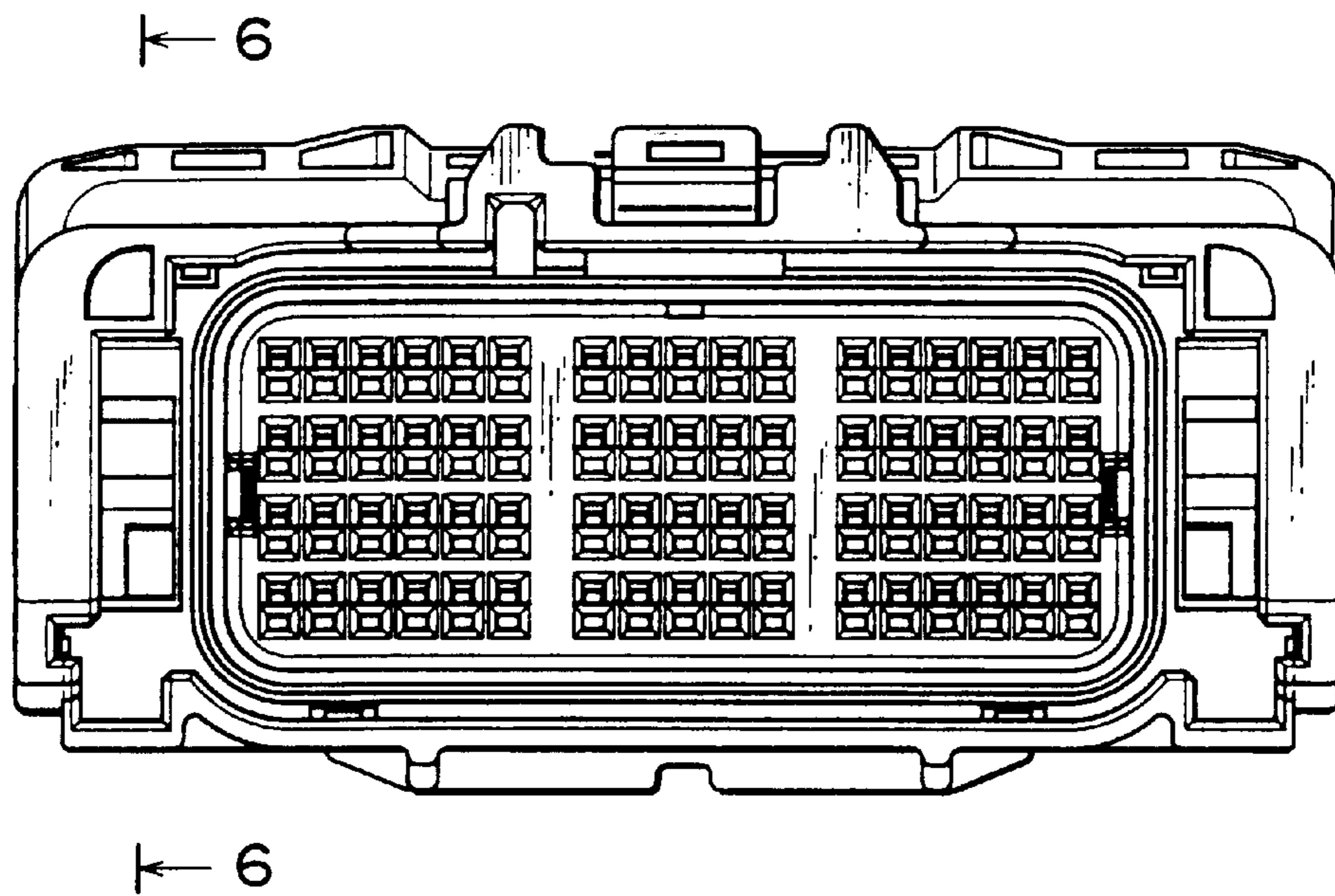


FIG. 1

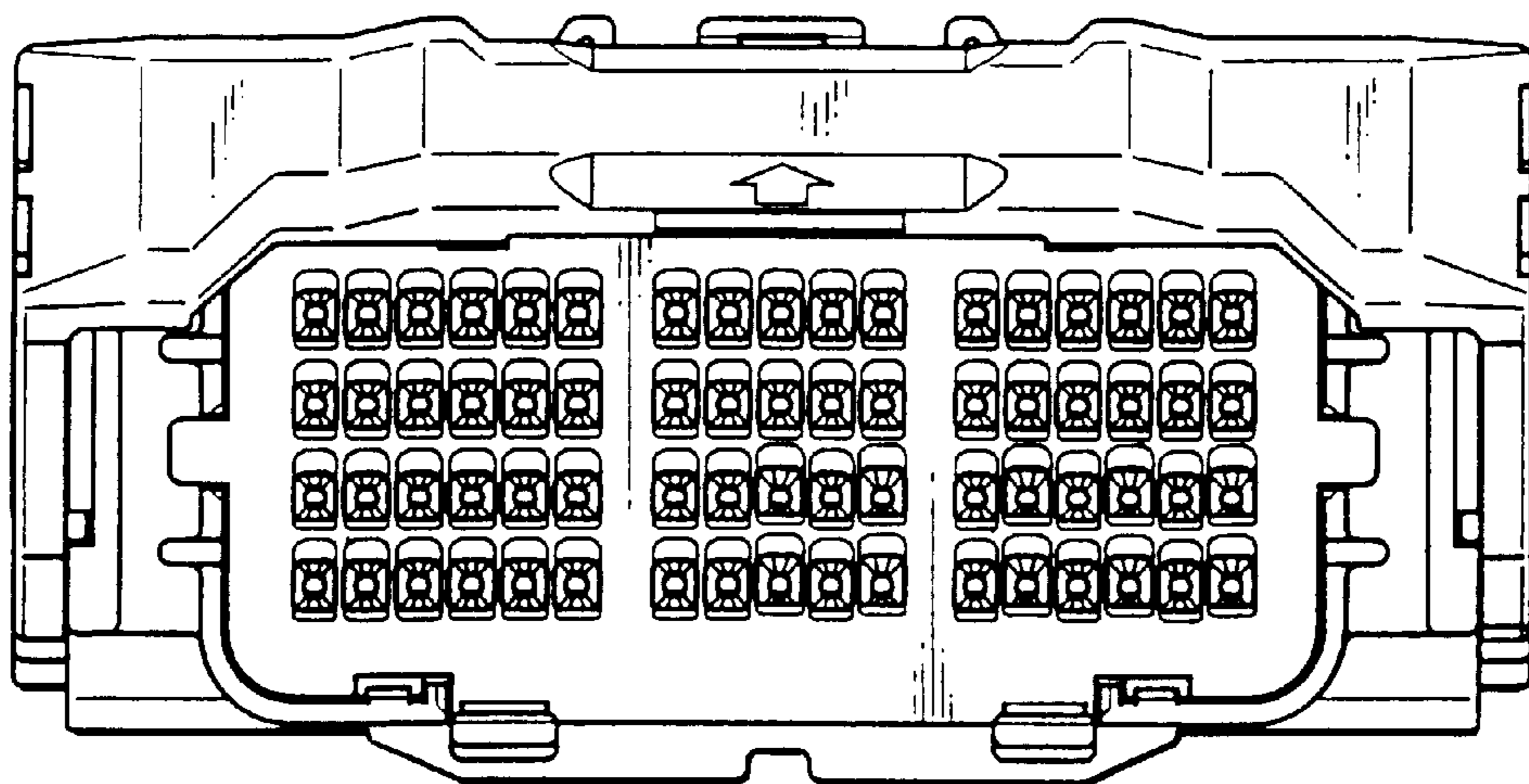


FIG. 2

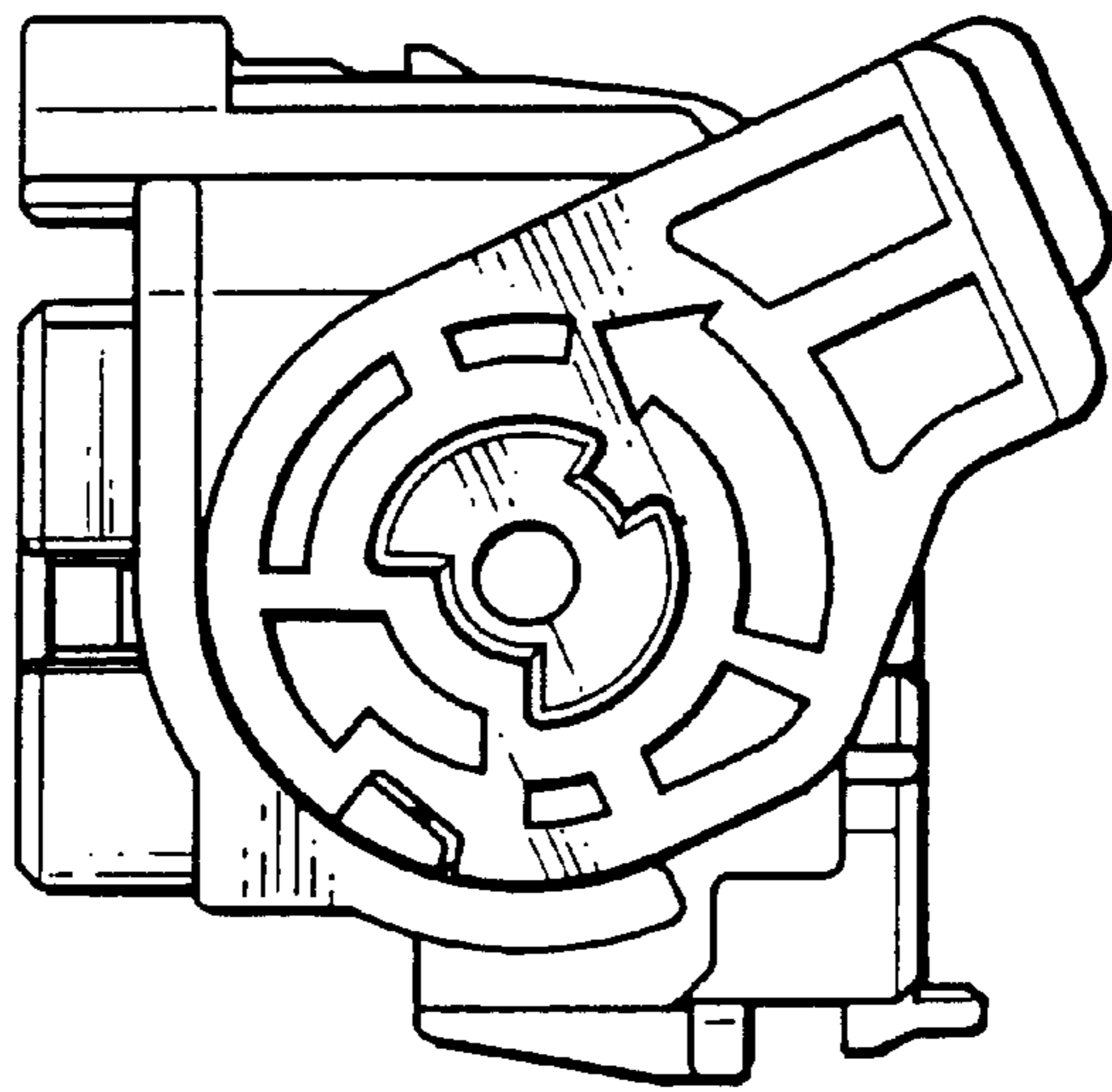


FIG. 3

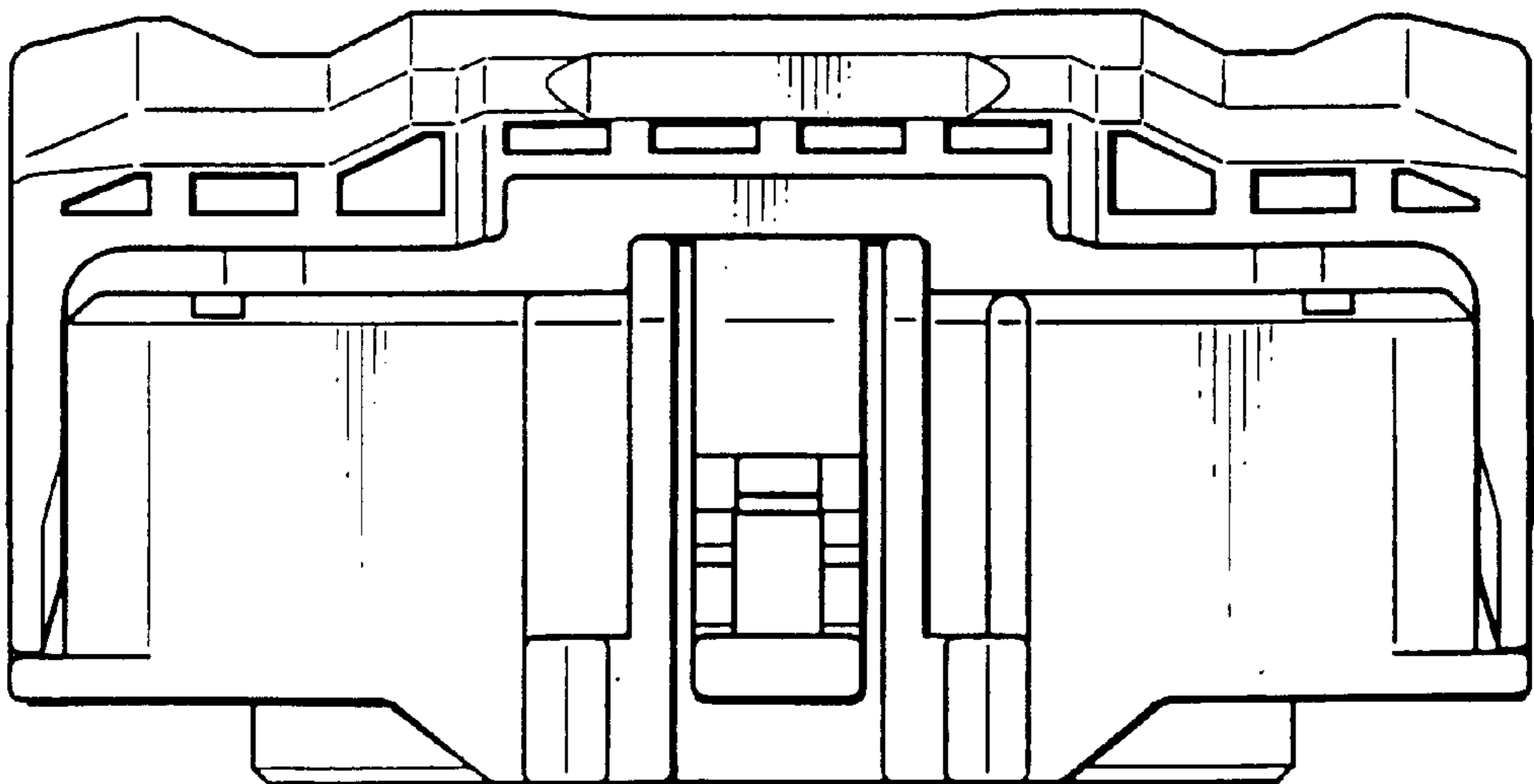


FIG. 4

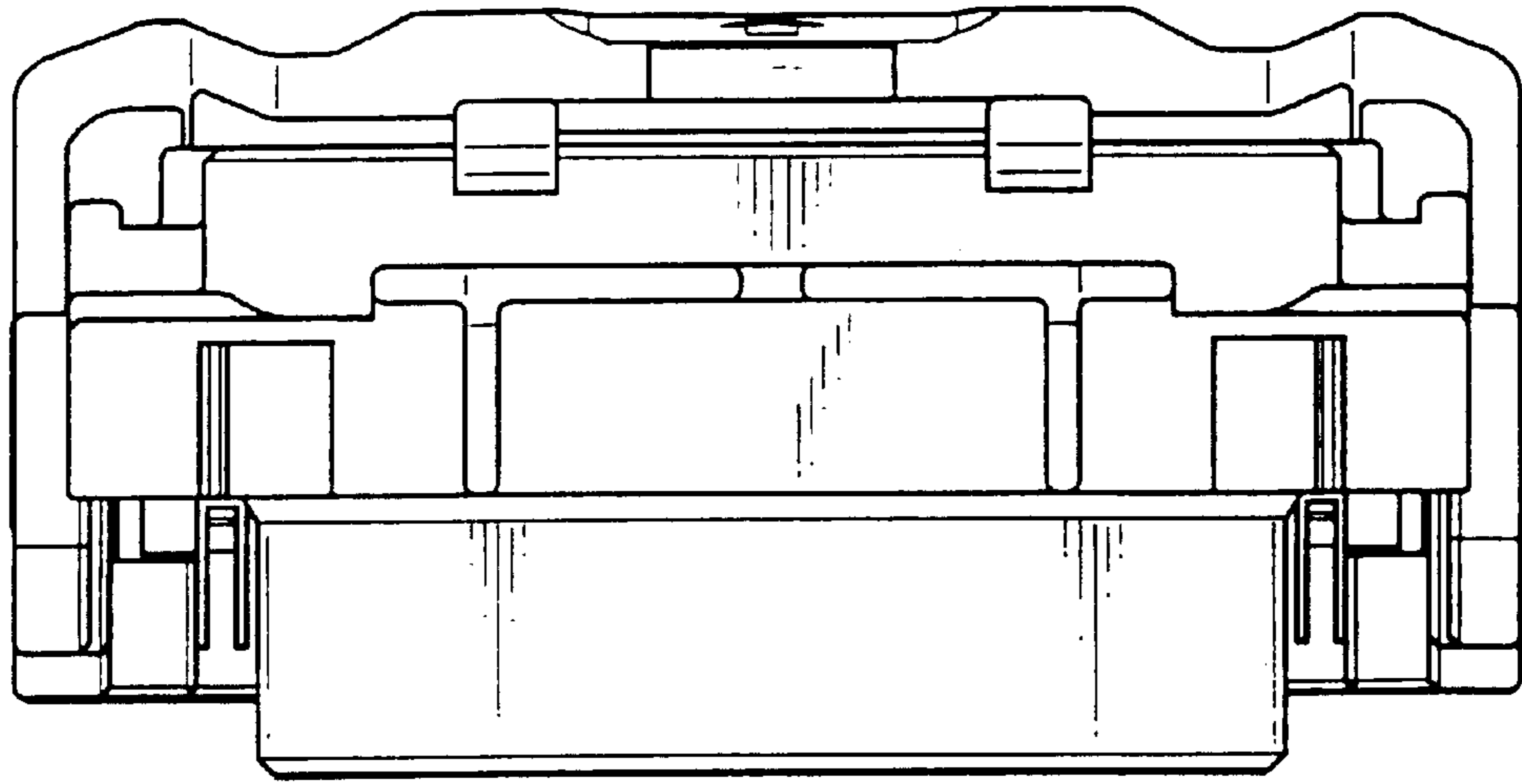


FIG. 5

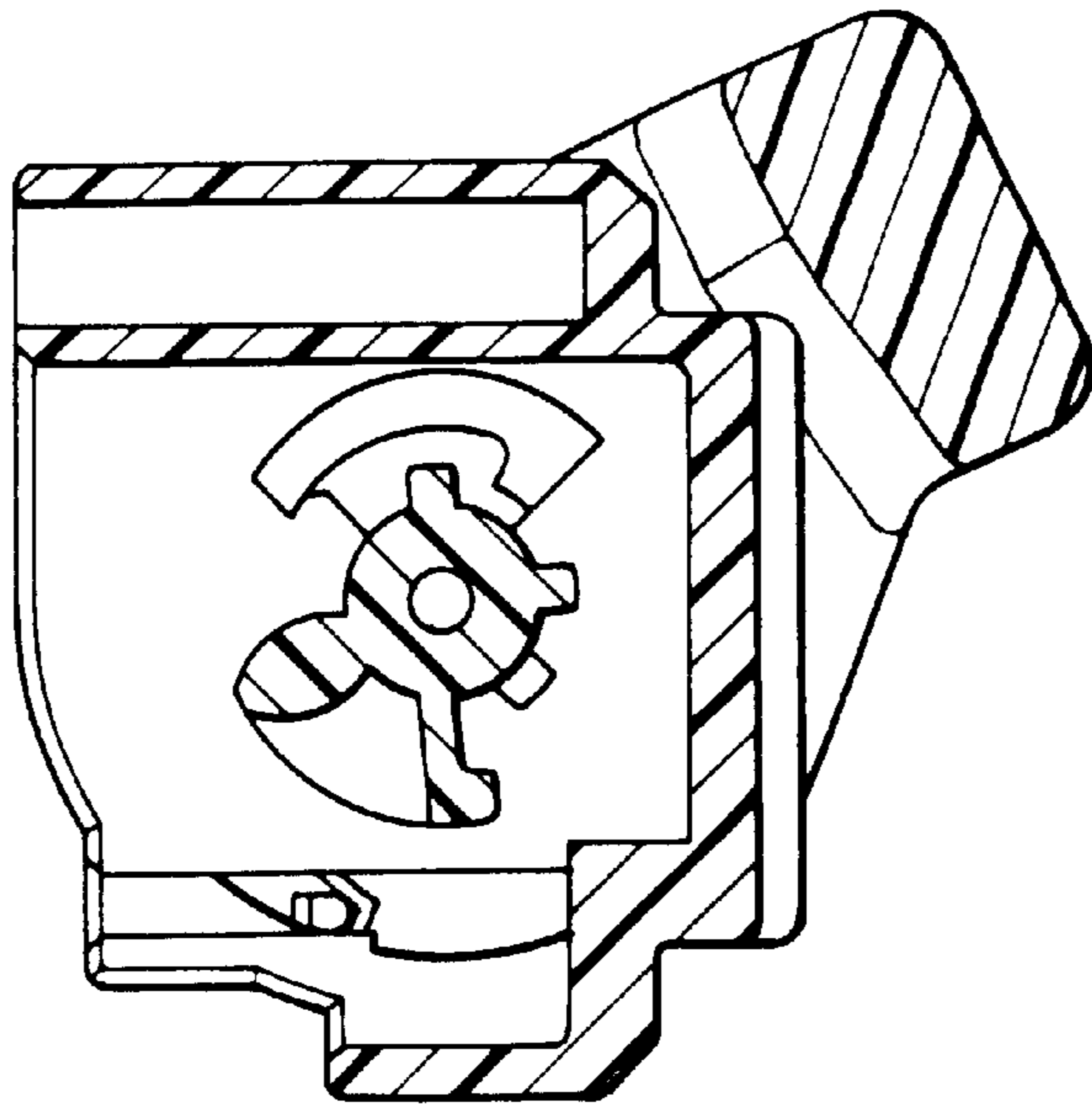


FIG. 6

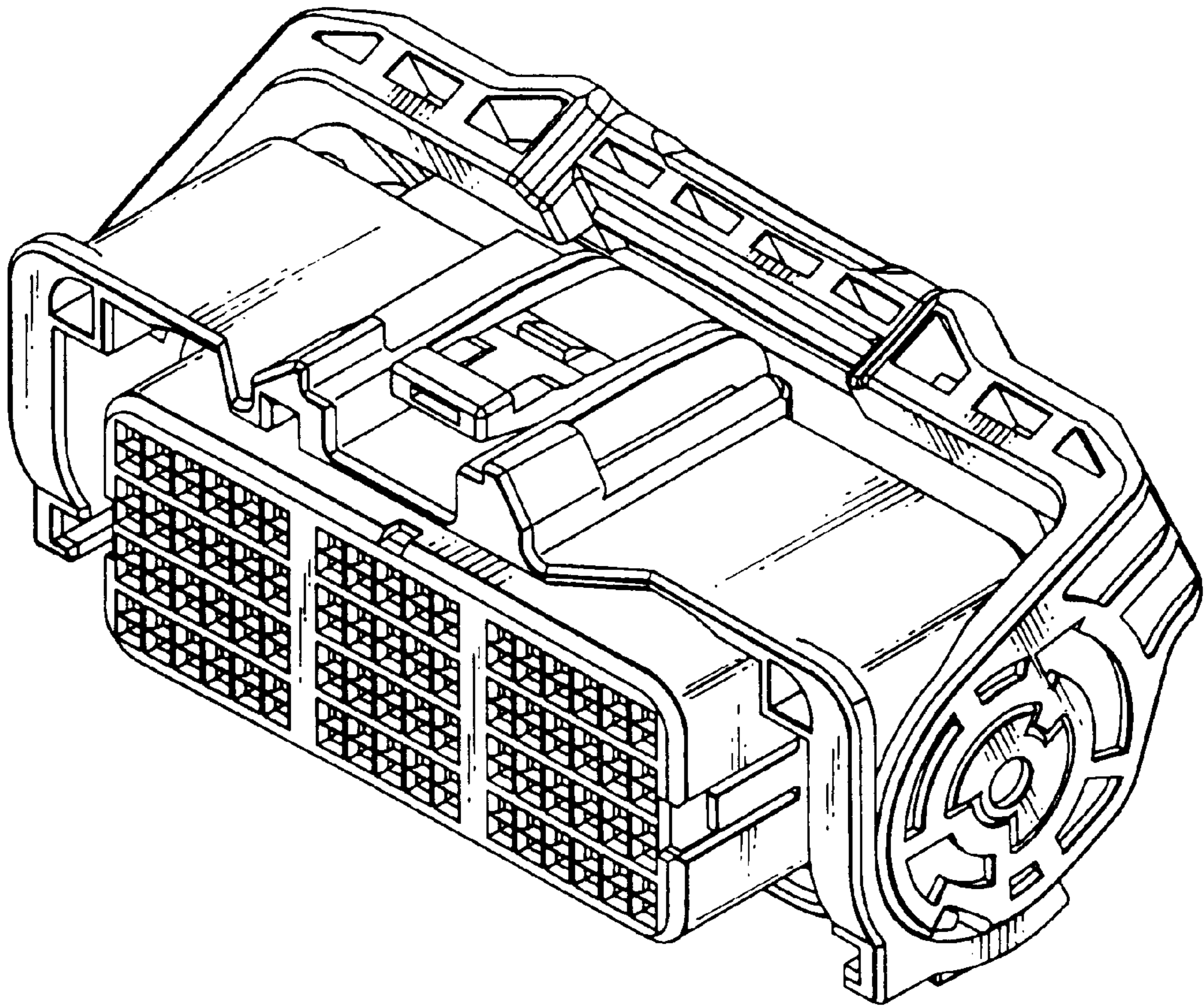


FIG. 7