



US00D459699S

(12) **United States Design Patent**
Ko

(10) **Patent No.:** **US D459,699 S**

(45) **Date of Patent:** **** Jul. 2, 2002**

(54) **ELECTRICAL CONNECTOR**

(75) **Inventor:** **David Tso-Chin Ko**, Thousand Oaks,
CA (US)

(73) **Assignee:** **Hon Hai Precision Ind. Co., Ltd.**,
Taipei Hsien (TW)

(**) **Term:** **14 Years**

(21) **Appl. No.:** **29/128,962**

(22) **Filed:** **Sep. 1, 2000**

(51) **LOC (7) Cl.** **13-03**

(52) **U.S. Cl.** **D13/147**

(58) **Field of Search** D13/147; 439/680,
439/681, 682, 660, 677

(56) **References Cited**

U.S. PATENT DOCUMENTS

- 1,235,069 A * 7/1917 Skinner 174/59
- 4,929,196 A * 5/1990 Ponn et al. 439/620
- D316,846 S * 5/1991 Moriai et al. D13/147

- 5,108,313 A * 4/1992 Adams 439/610
- D335,649 S * 5/1993 Ogawa D13/147
- 5,529,426 A * 6/1996 Masuda et al. 403/329
- D412,700 S * 8/1999 Gardner et al. D13/147
- D426,194 S * 6/2000 Ko et al. D13/147

* cited by examiner

Primary Examiner—Joel Sincavage

(74) *Attorney, Agent, or Firm*—Wei Te Chung

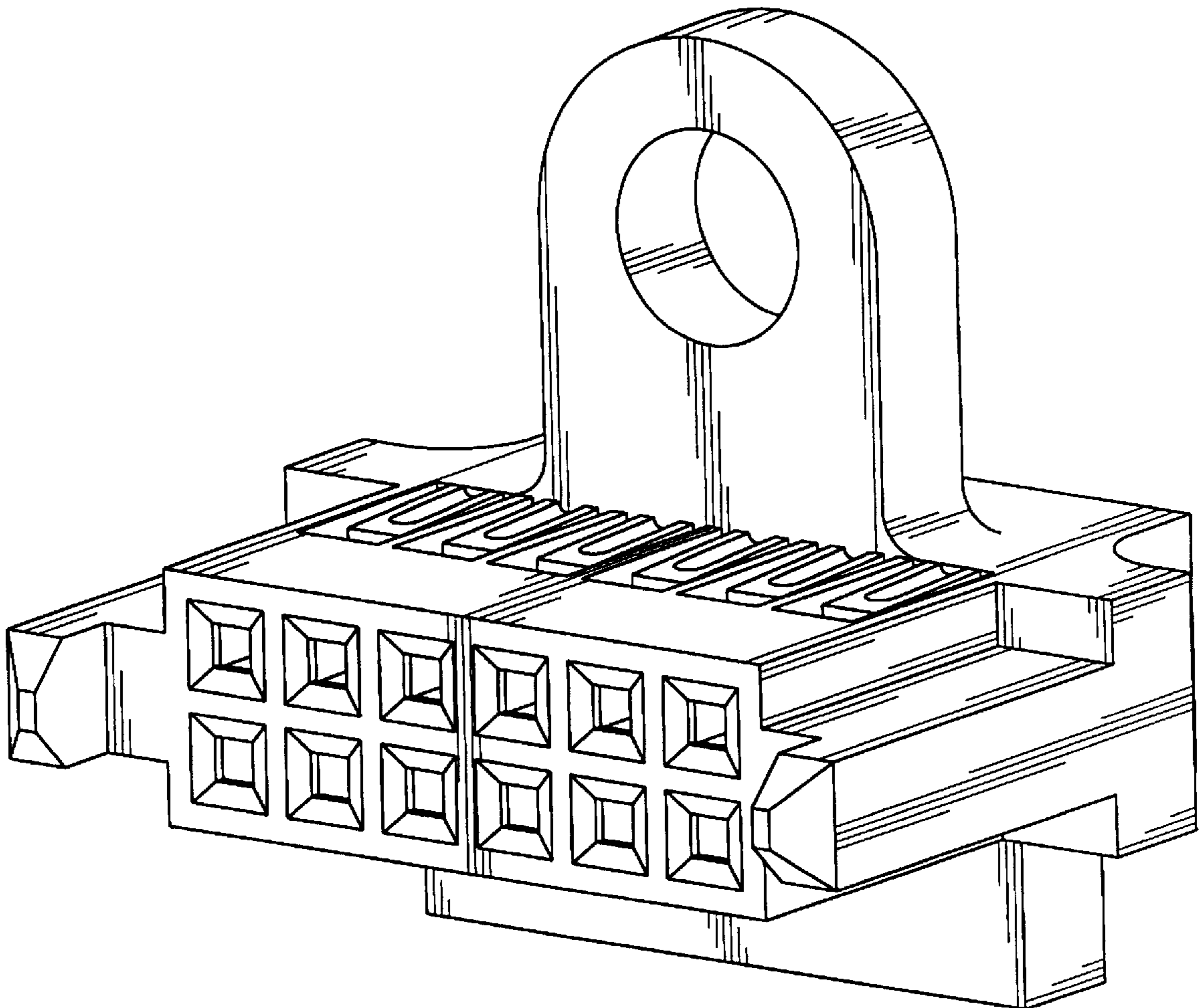
(57) **CLAIM**

The ornamental design for an electrical connector, as shown.

DESCRIPTION

FIG. 1 is a front, top and right side perspective view of an electrical connector showing my new design; FIG. 2 is a front elevational view thereof; FIG. 3 is a rear elevational view thereof; FIG. 4 is a left side elevational view thereof; FIG. 5 is a right side elevational view thereof; FIG. 6 is a top plan view thereof; and, FIG. 7 is a bottom plan view thereof.

1 Claim, 7 Drawing Sheets



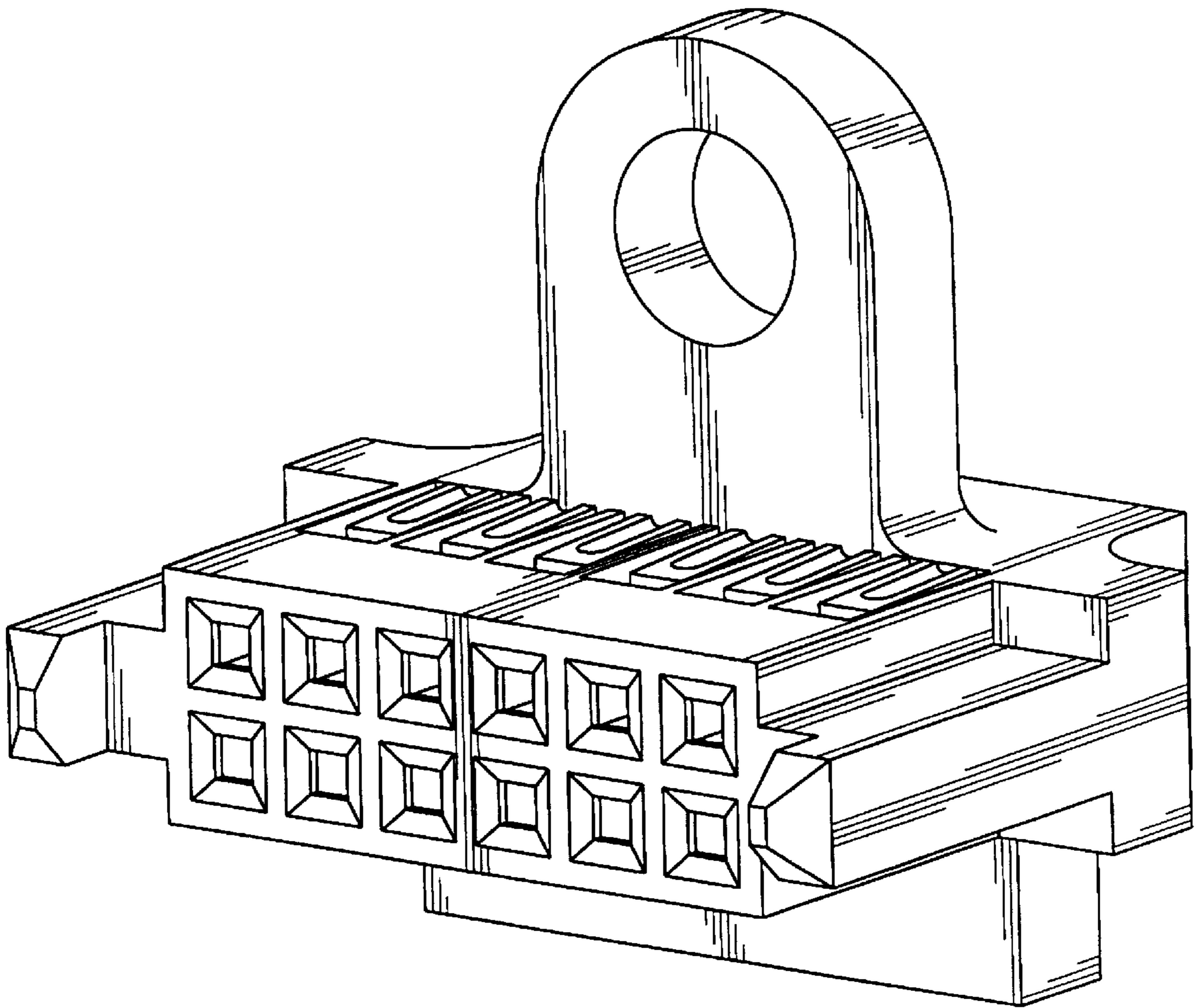


FIG. 1

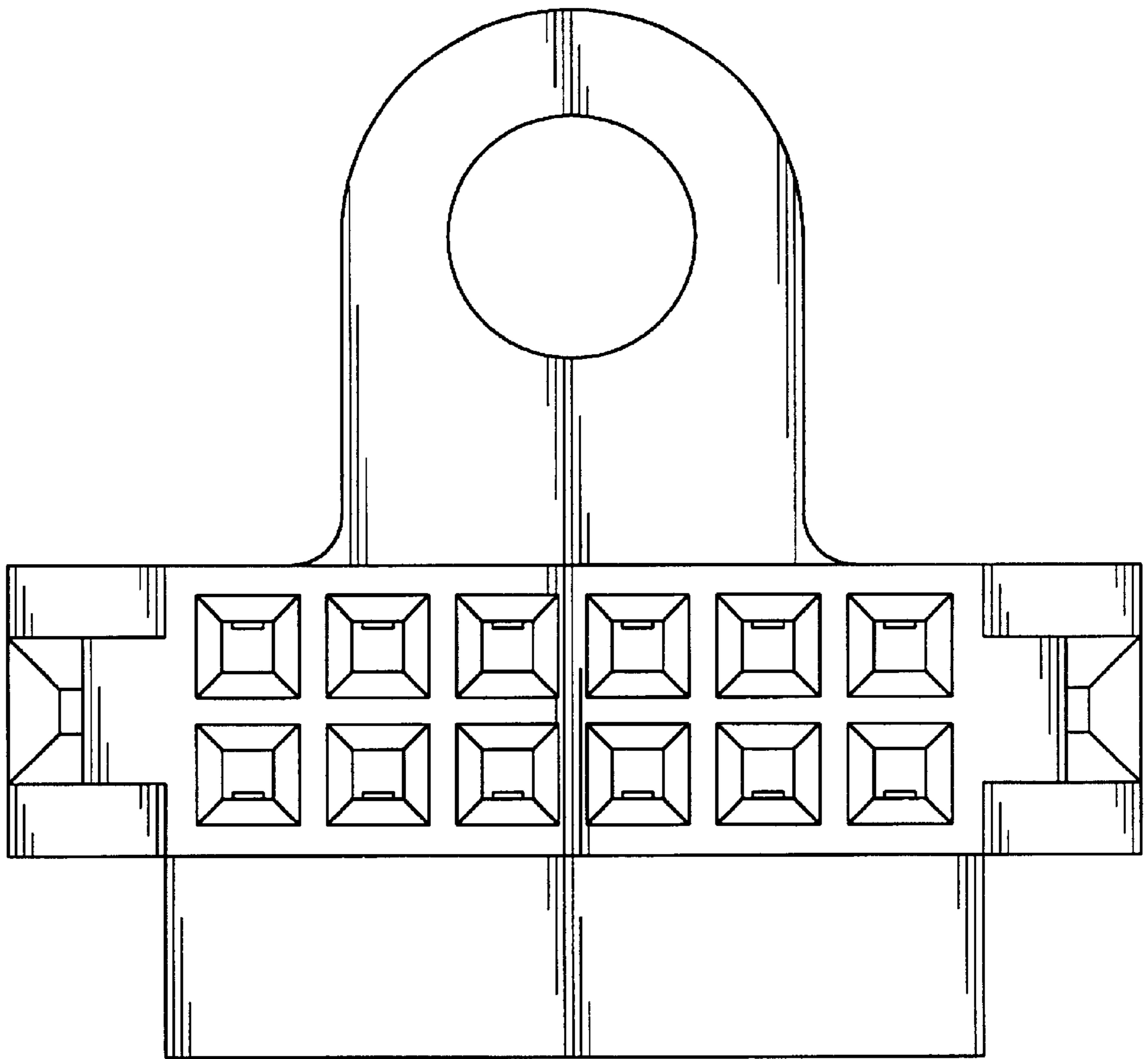


FIG. 2

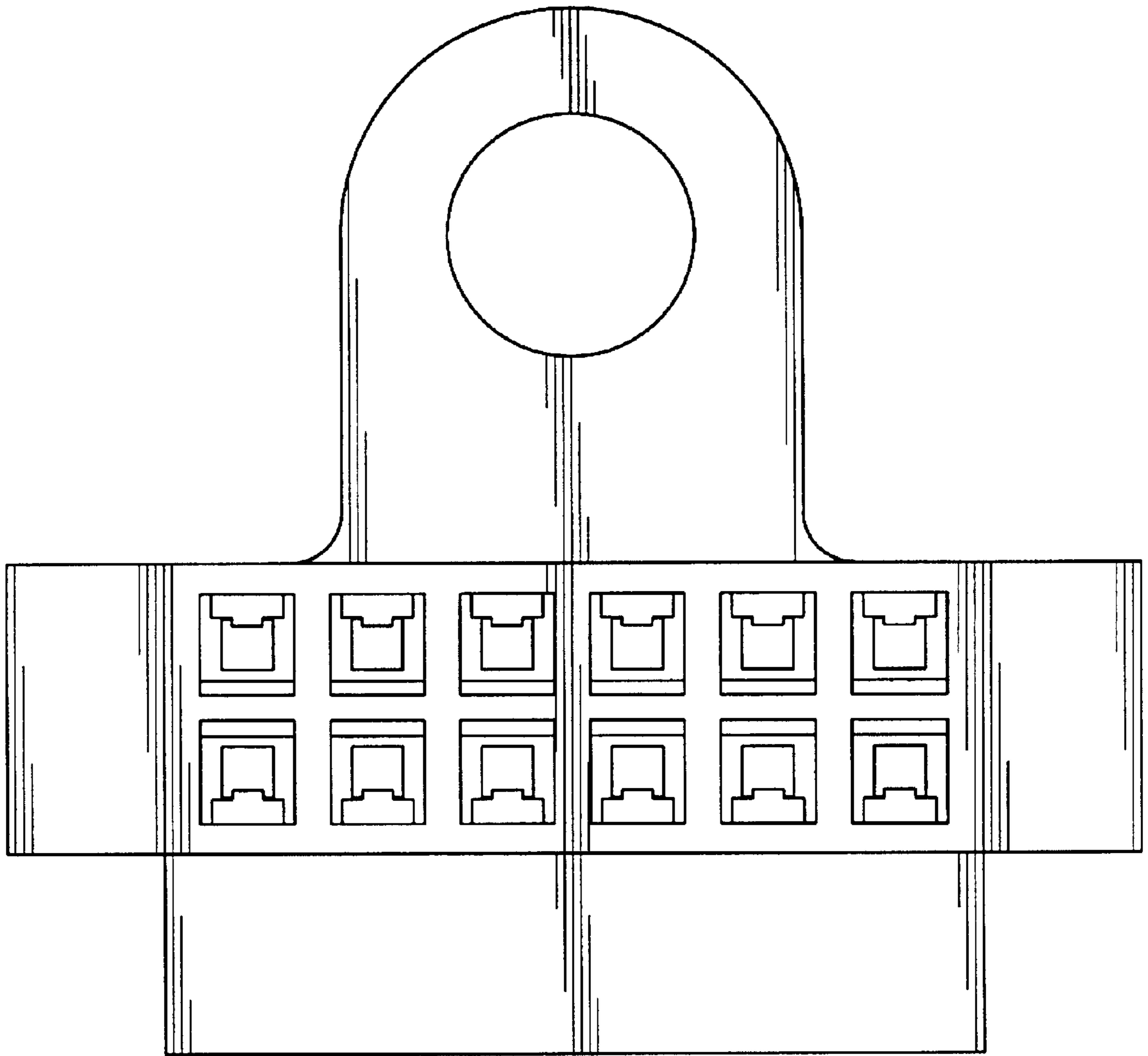


FIG. 3

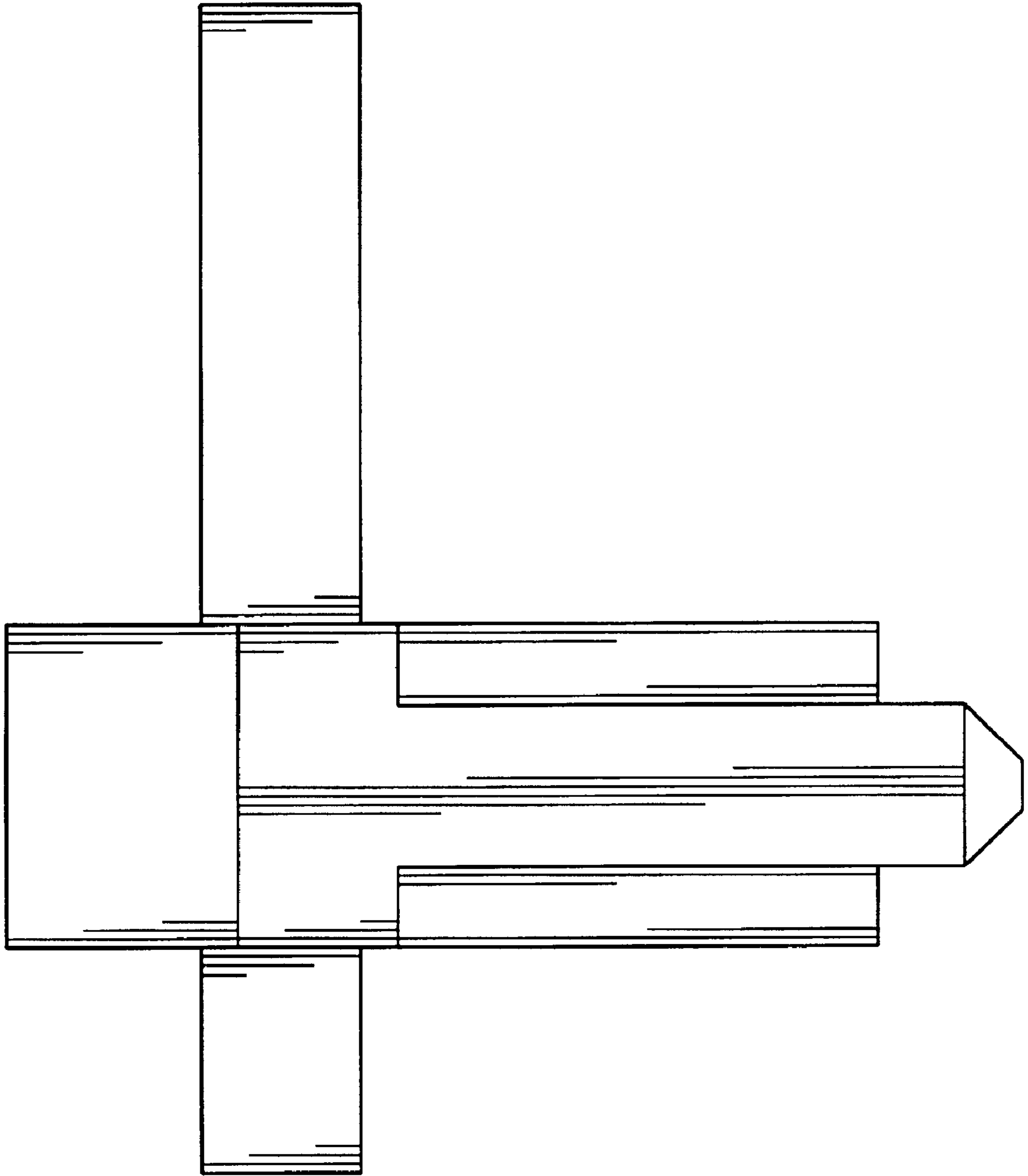


FIG. 4

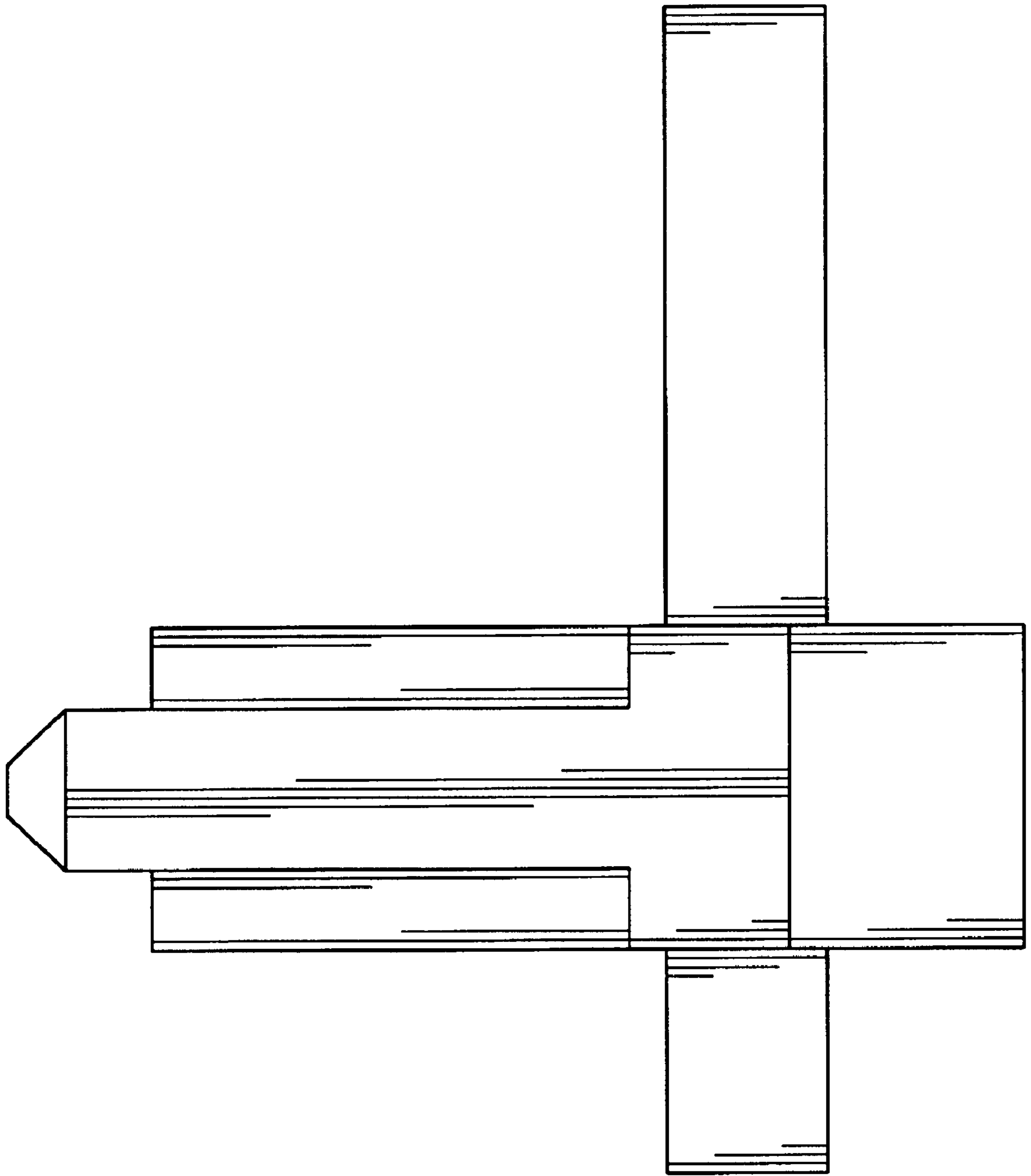


FIG. 5

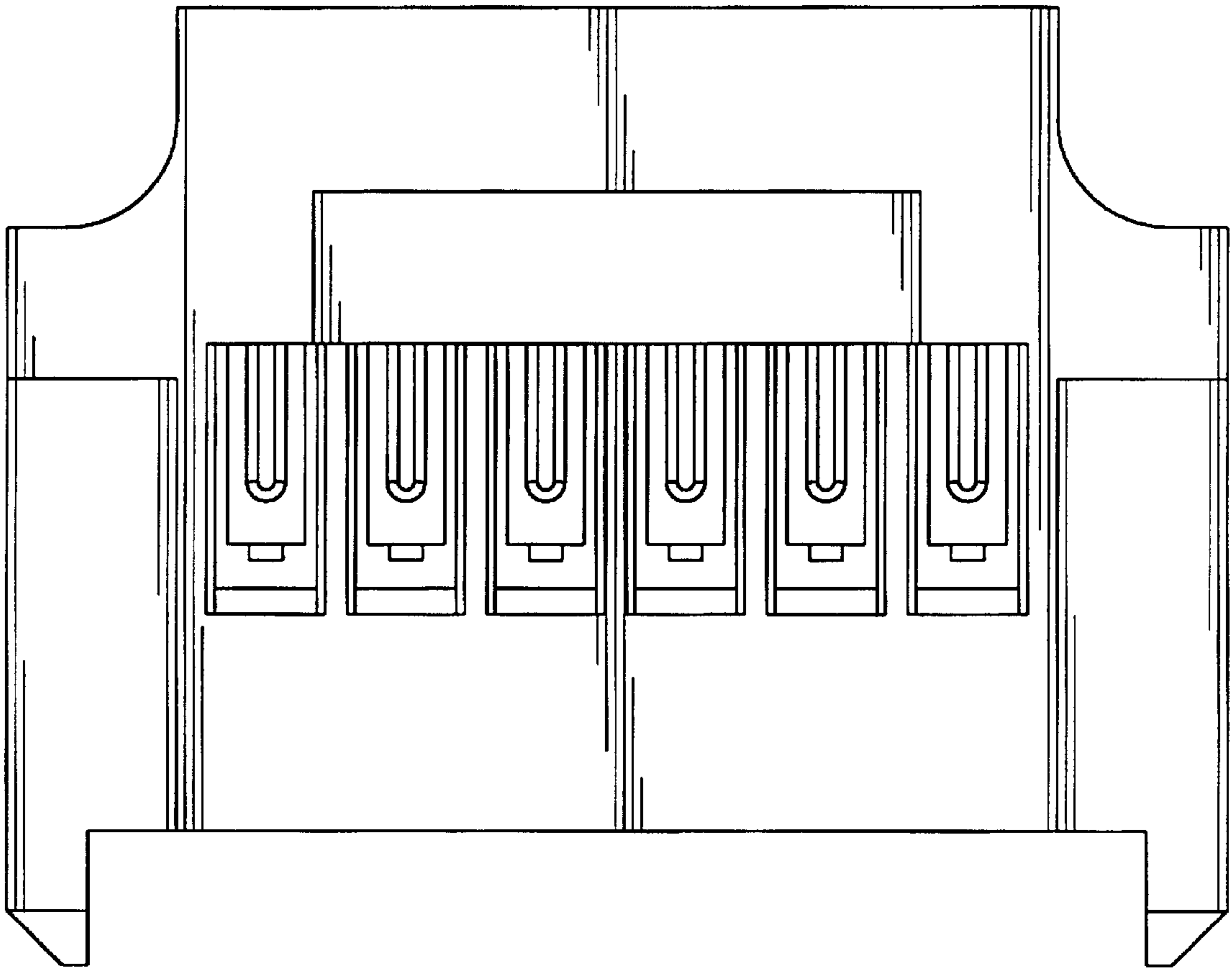


FIG. 6

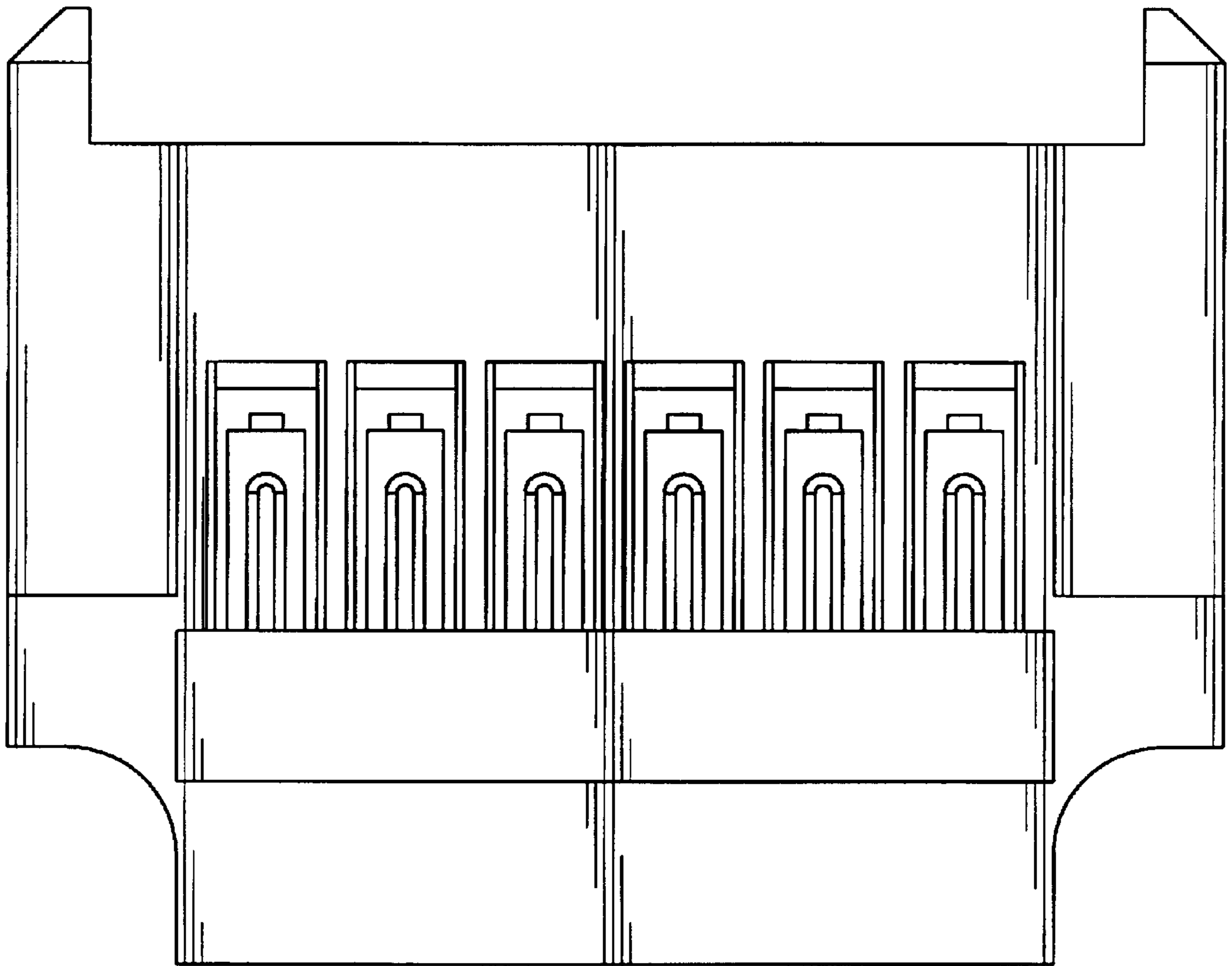


FIG. 7