



US00D459698S

(12) **United States Design Patent**
Fan Wong

(10) **Patent No.:** **US D459,698 S**

(45) **Date of Patent:** **** Jul. 2, 2002**

(54) **PLUG FOR A DECORATIVE LIGHT STRING**

6,042,418 A * 3/2000 Cummings 439/505
6,340,233 B1 * 1/2002 Shieh 362/102

(76) Inventor: **Tsui-Tuan Fan Wong**, 15th Fl.-D, No. 81, Sec. 1, Hsintai 5th Rd., Hsitzu City, Taipei Hsien (TW)

* cited by examiner

(**) Term: **14 Years**

Primary Examiner—Joel Sincavage
(74) *Attorney, Agent, or Firm*—Alan Kamrath; Rider, Bennett, Egan & Arundel, LLP

(21) Appl. No.: **29/137,354**

(57) **CLAIM**

(22) Filed: **Feb. 15, 2001**

The ornamental design for a plug for a decorative light string, as shown and described.

(51) **LOC (7) Cl.** **13-03**

(52) **U.S. Cl.** **D13/133**

(58) **Field of Search** D13/133, 138.1; 439/188, 502, 505, 484; 315/185 S; 362/123

DESCRIPTION

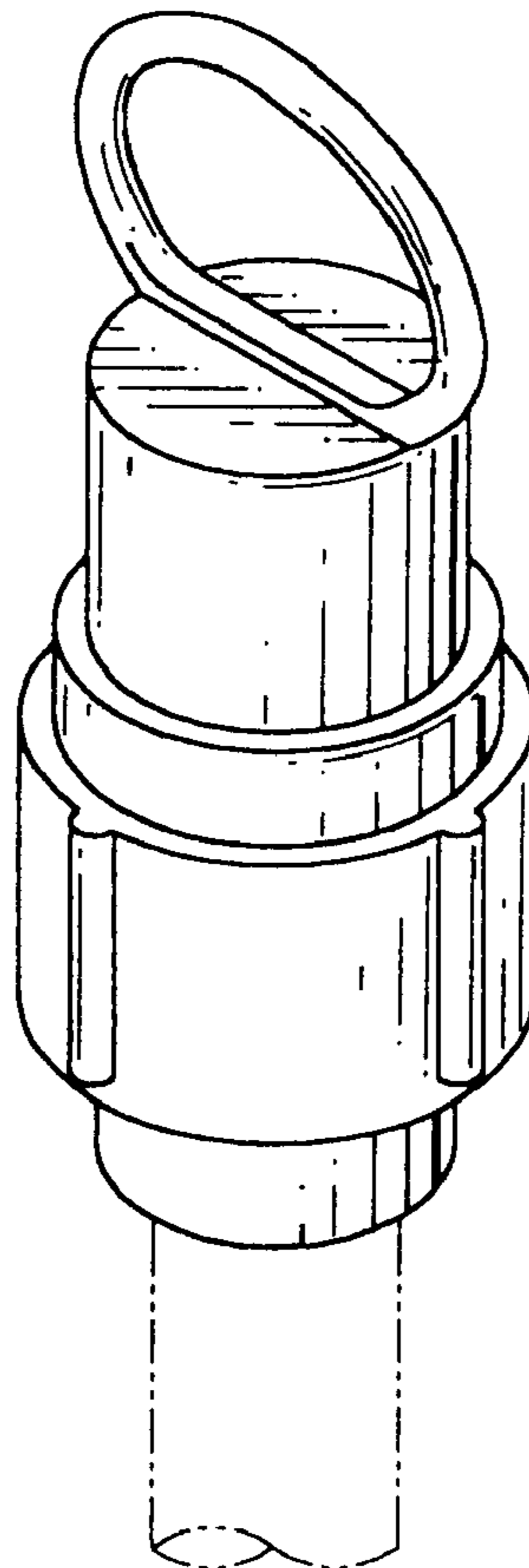
(56) **References Cited**

U.S. PATENT DOCUMENTS

2,030,115	A	*	2/1936	Muldoon	D13/138.1	X
D159,196	S	*	9/1950	Englar	D13/138.1	
4,227,228	A	*	10/1980	Cheng	361/104	
D287,241	S	*	12/1986	Mow	D13/133	
D337,989	S	*	8/1993	Lee	D13/133	
5,277,948	A	*	1/1994	Daun	315/185 S	X
5,281,158	A	*	1/1994	Lin	439/188	
D373,568	S	*	9/1996	Bloom et al.	D13/133	
5,834,901	A	*	11/1998	Shen	315/185 S	

FIG. 1 is a front-right-top perspective view of a plug for a decorative light string, showing my new design; FIG. 2 is a front elevational view thereof; FIG. 3 is a rear elevational view thereof; FIG. 4 is a left elevational view thereof; FIG. 5 is a right elevational view thereof; FIG. 6 is top plan view thereof; FIG. 7 is a bottom plan view thereof; and, FIG. 8 is a perspective view thereof, the element shown in broken lines is for illustrative purpose only and forms no part of the claimed design.

1 Claim, 3 Drawing Sheets



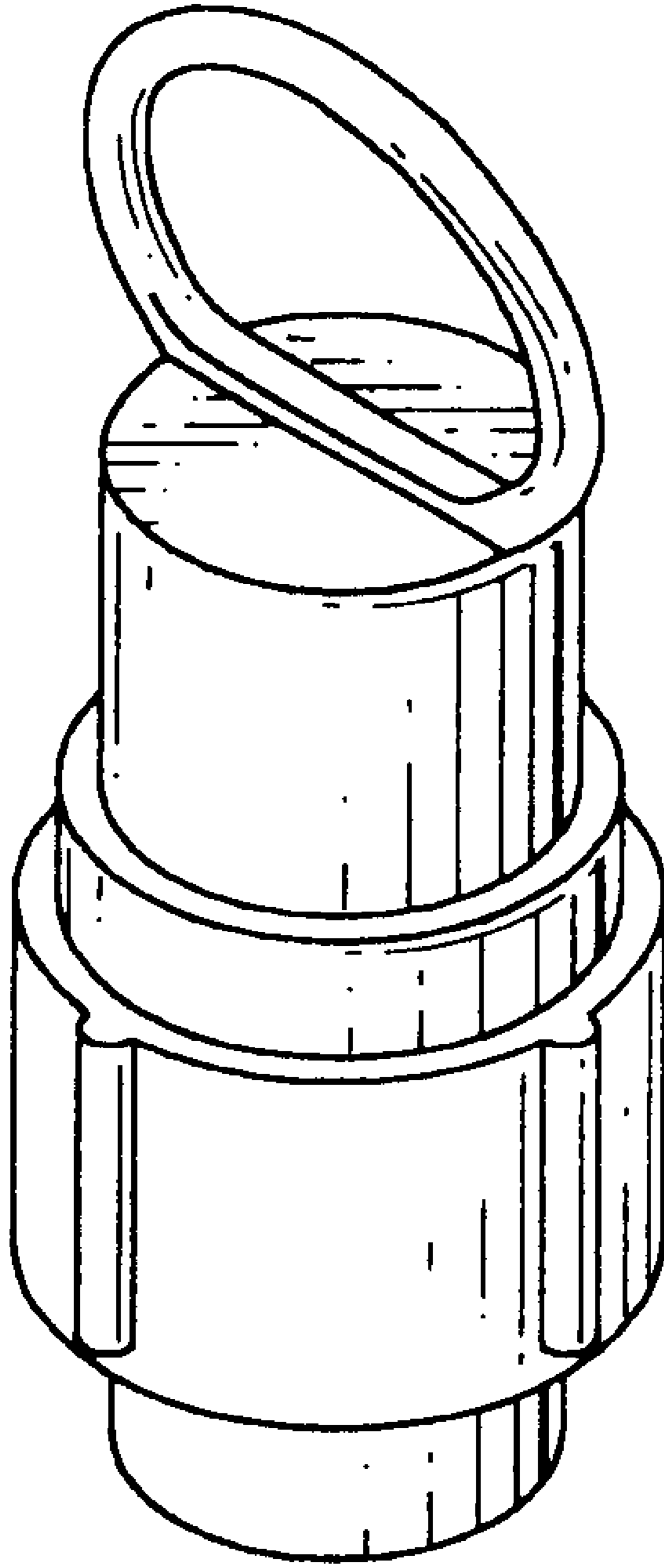


FIG. 1

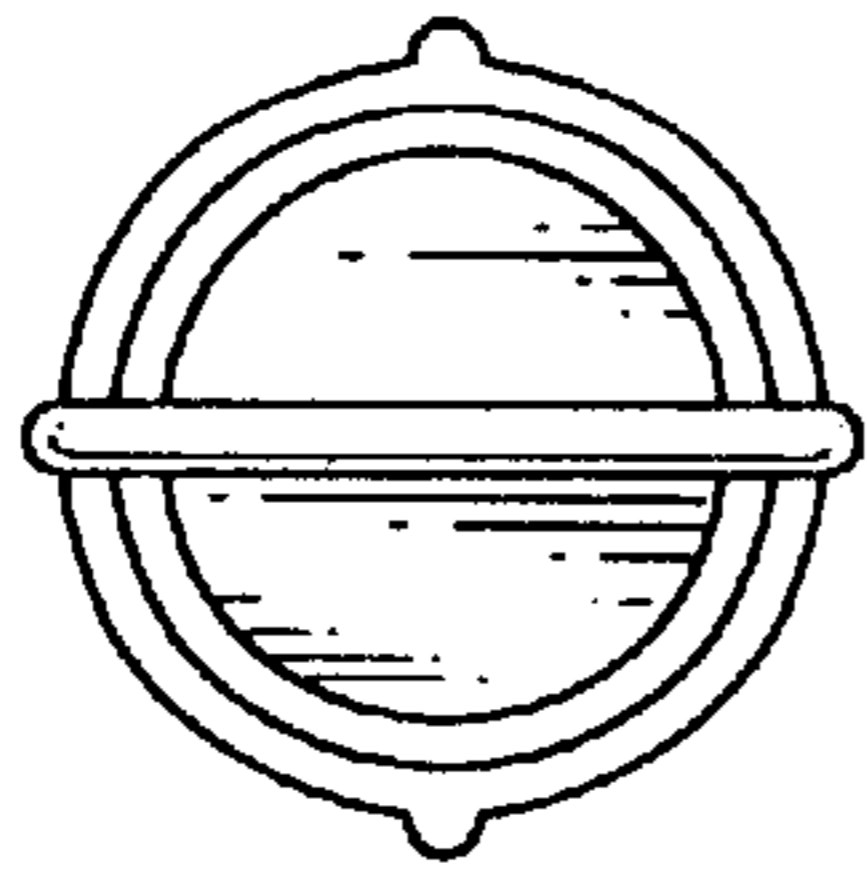


FIG. 6

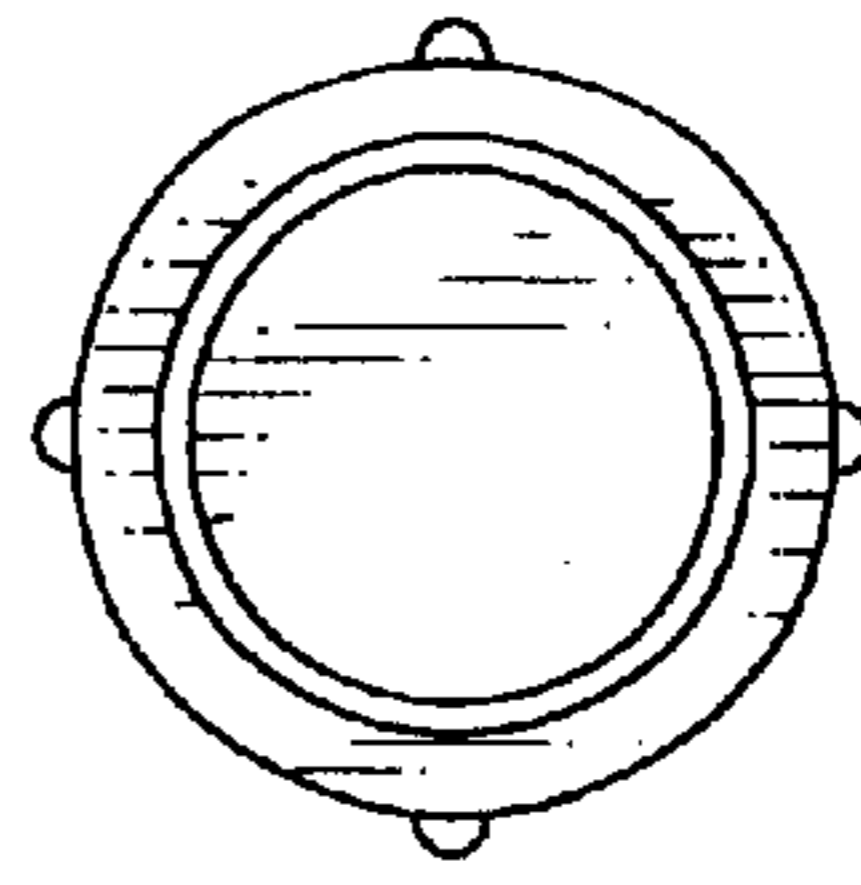


FIG. 7

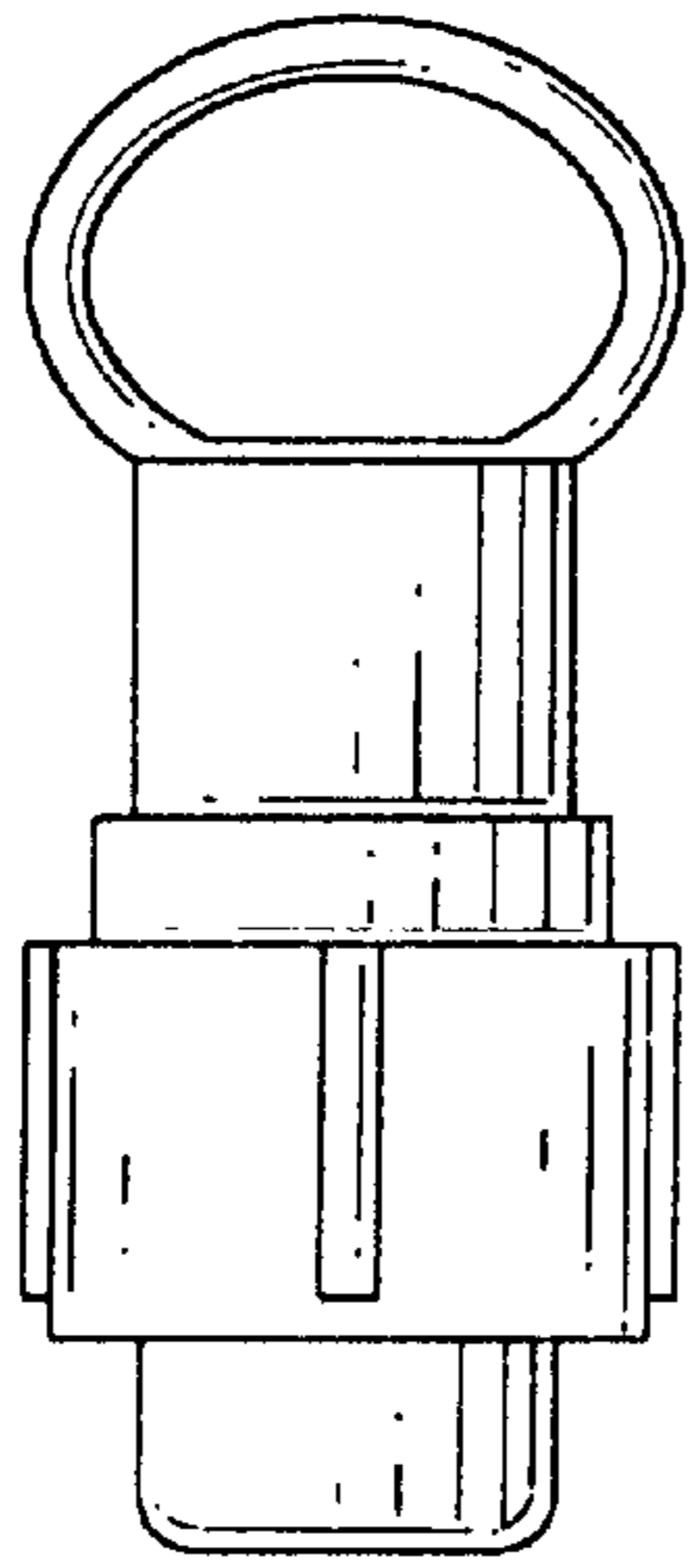


FIG. 2

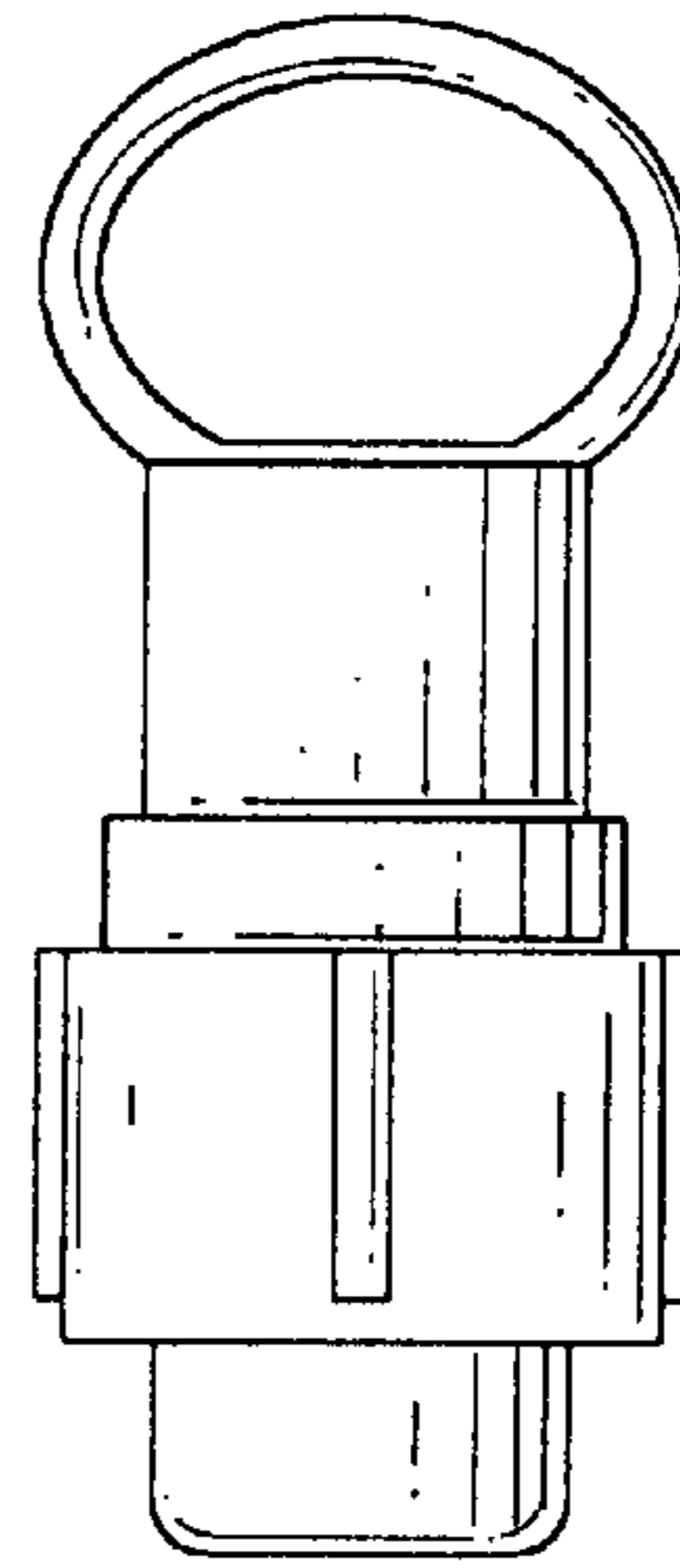


FIG. 3

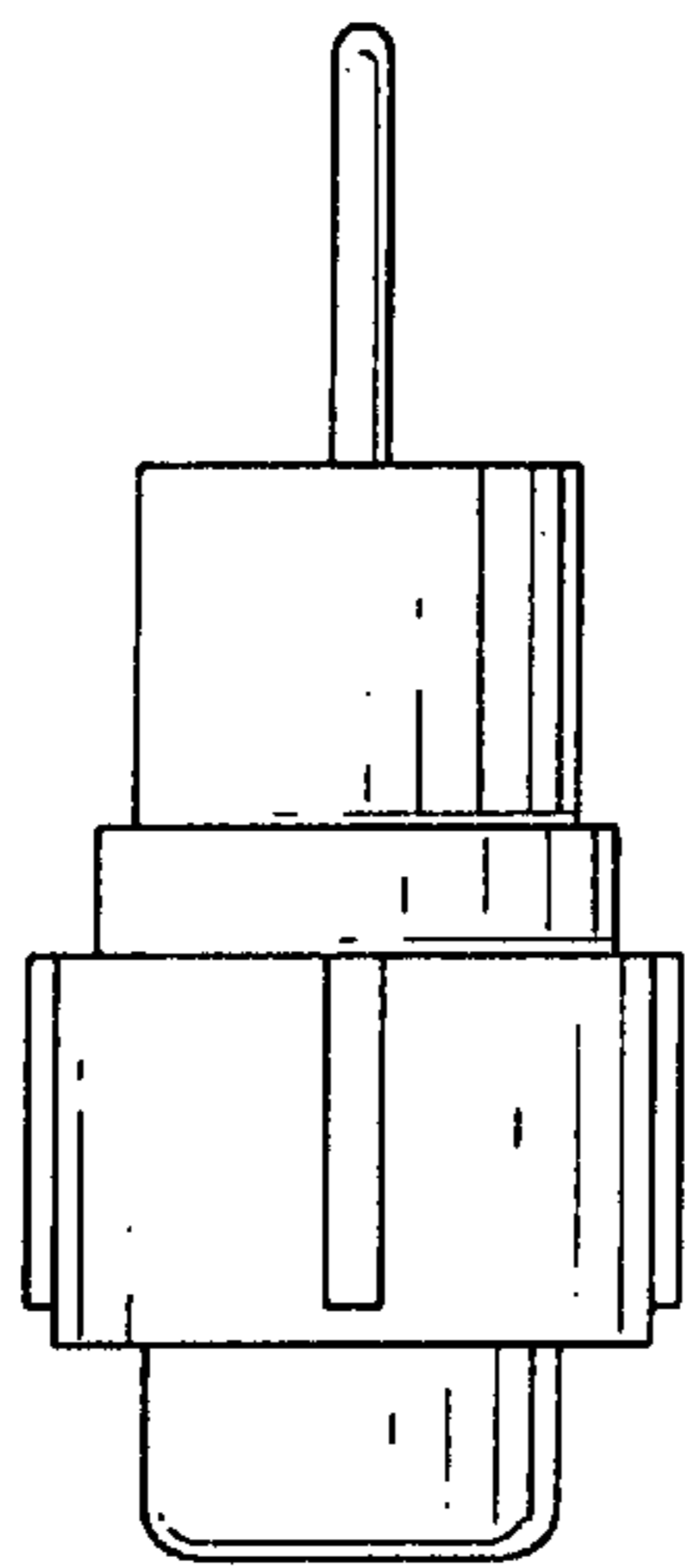


FIG. 4

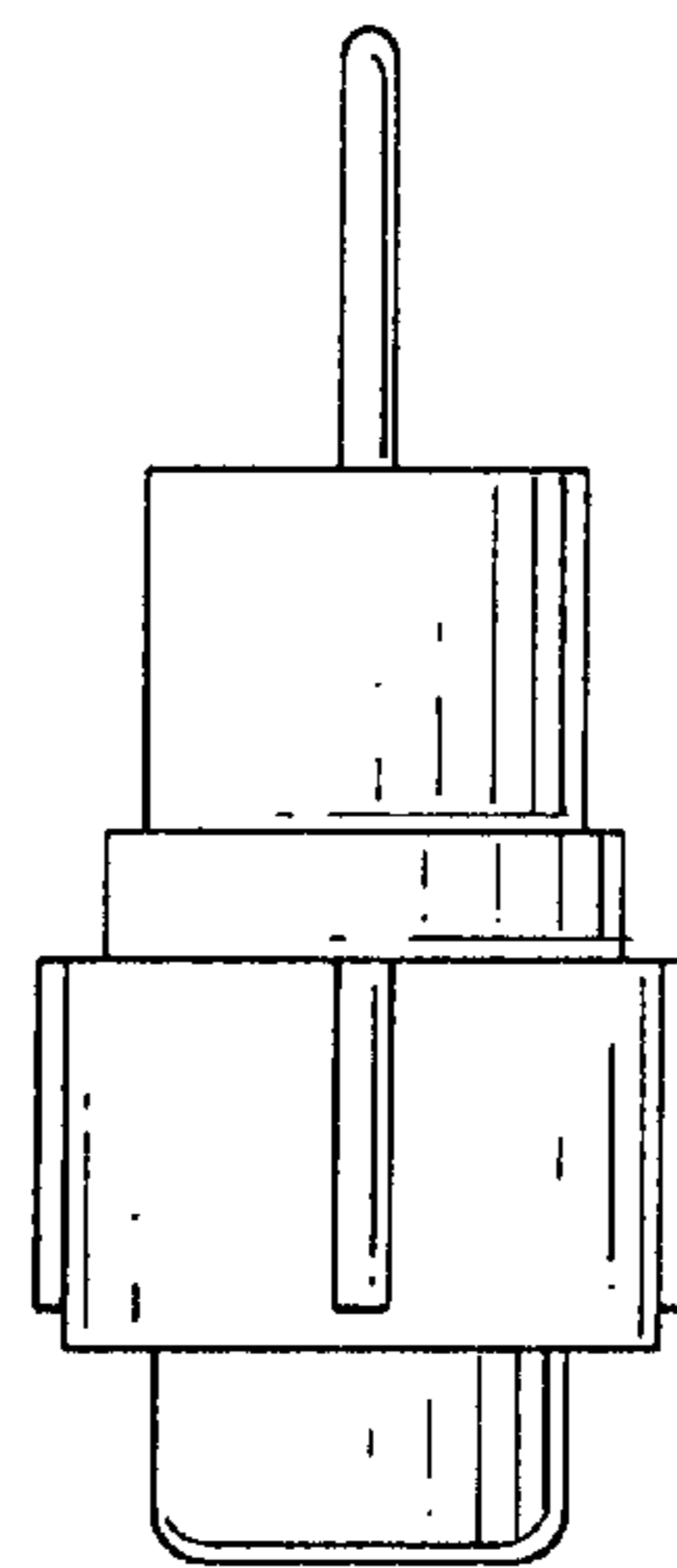


FIG. 5

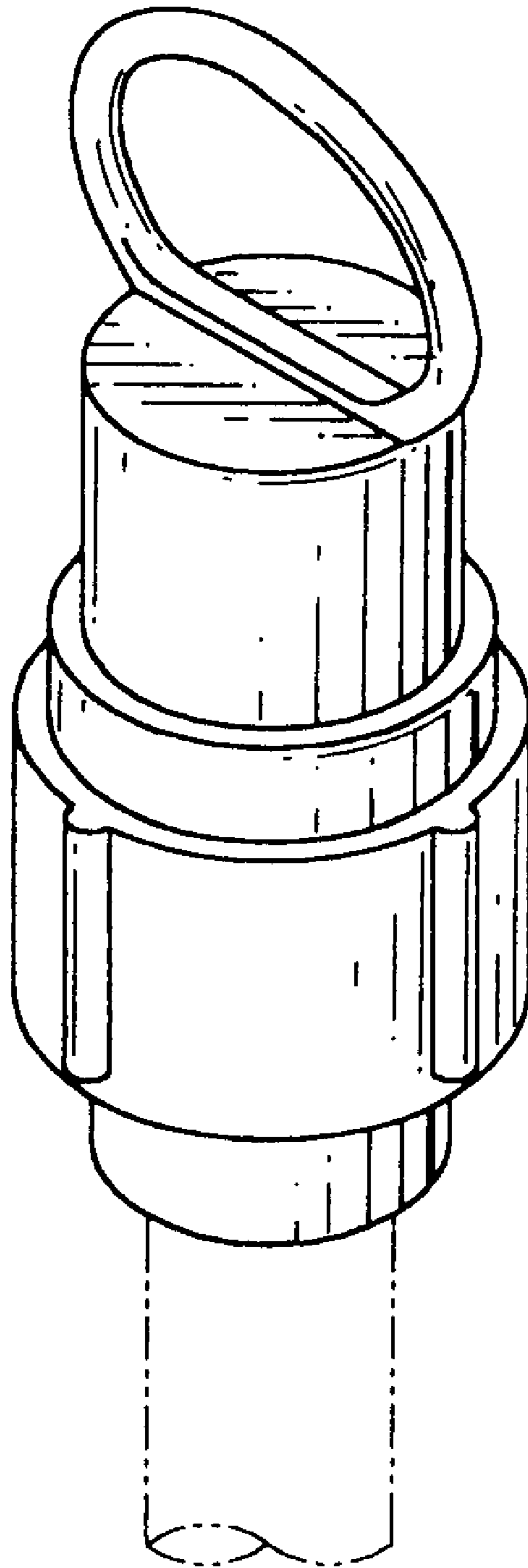


FIG.8