



US00D459694S

(12) **United States Design Patent**
Yuhanick et al.

(10) **Patent No.:** **US D459,694 S**

(45) **Date of Patent:** **** Jul. 2, 2002**

(54) **MOTORCYCLE CLUB CADDY**

D409,557 S * 5/1999 Armour D12/408

(76) Inventors: **Robert P. Yuhanick**, 789 Carriage Hill Dr.; **Charles S. McGhee**, 531 Aetna St., both of Salem, OH (US) 44460

* cited by examiner

Primary Examiner—Alan P. Douglas

Assistant Examiner—Linda Brooks

(**) Term: **14 Years**

(74) *Attorney, Agent, or Firm*—Frederic E. Naragon

(21) Appl. No.: **29/132,394**

(57) **CLAIM**

(22) Filed: **Nov. 9, 2000**

The ornamental design for a motorcycle club caddy, as shown and described.

(51) **LOC (7) Cl.** **12-16**

DESCRIPTION

(52) **U.S. Cl.** **D12/408**

(58) **Field of Search** D12/406-408;
224/405, 488, 489, 413, 490, 492, 511,
512, 513, 455, 514; D6/552; D34/15; 280/202,
292, 288.4, DIG. 6

FIG. 1 is a front view of the motorcycle club caddy.

FIG. 2 is a side view of the motorcycle club caddy.

FIG. 3 is a top view of the motorcycle club caddy; and,

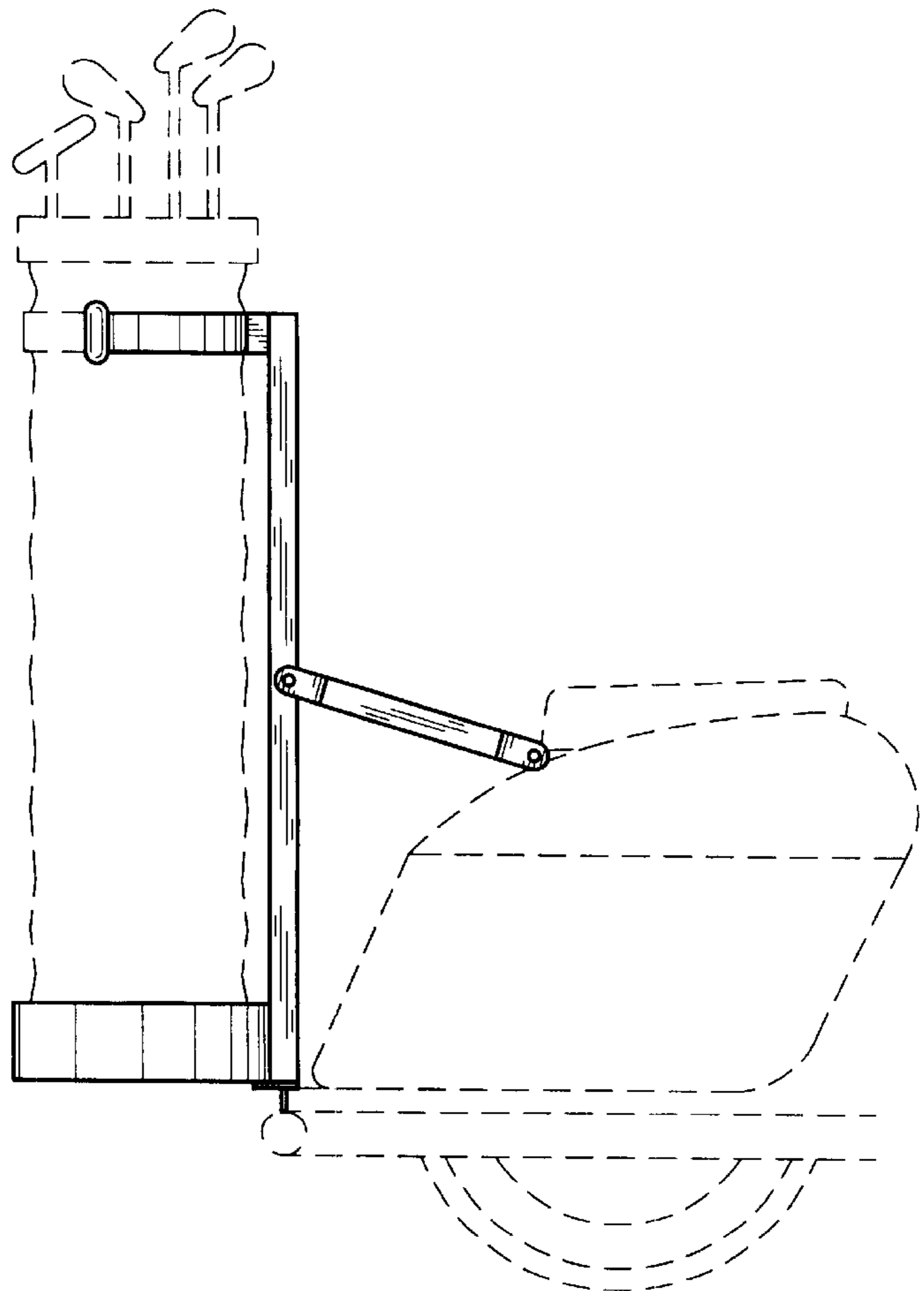
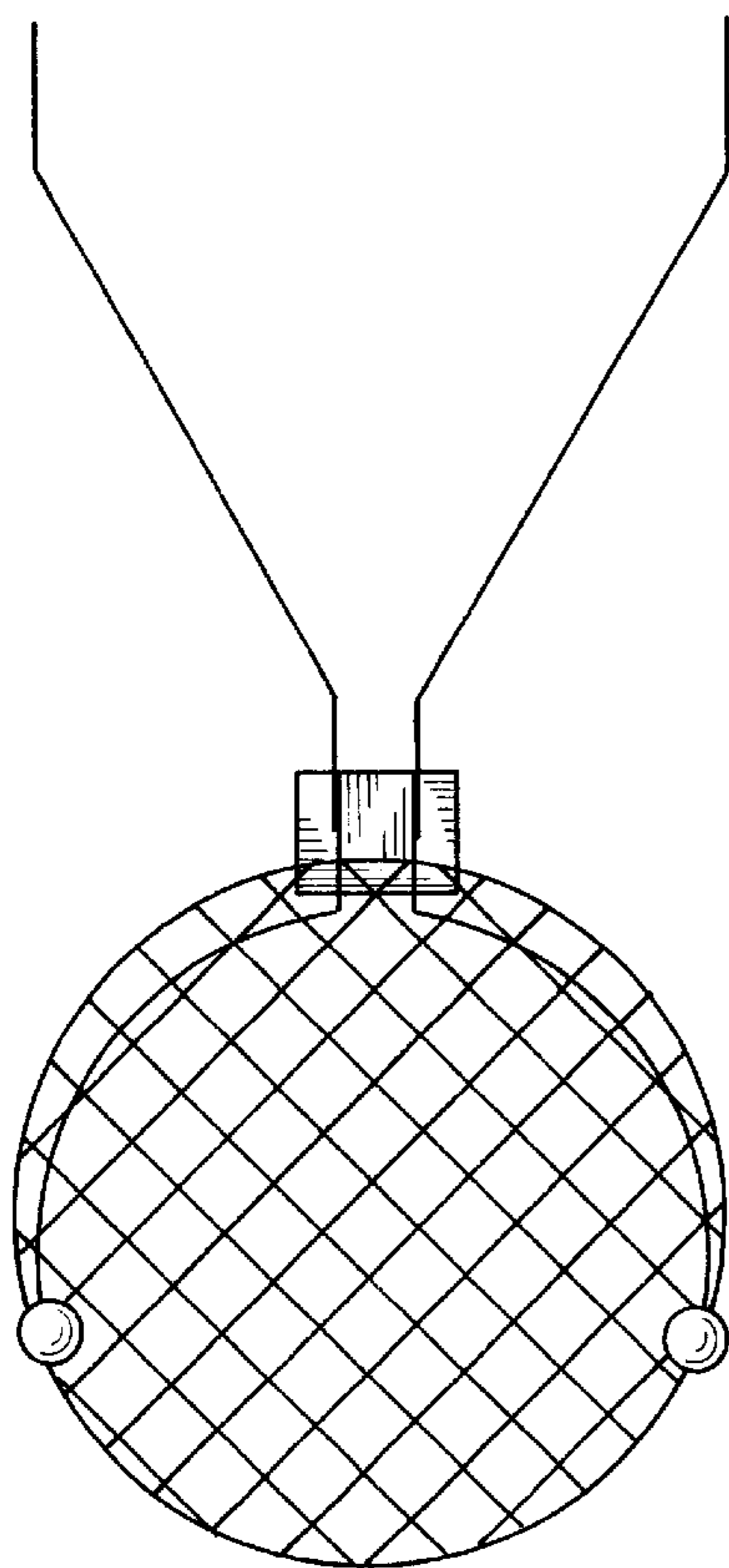
FIG. 4 is a side view of the motorcycle club caddy on a reduced scale while in use, with clubs and bag in position on the invention and attached to a motorcycle, which are shown in broken lines for purposes of illustration only and form no part of the claimed design.

(56) **References Cited**

U.S. PATENT DOCUMENTS

3,286,891 A * 11/1966 Jones, Jr. 224/455

1 Claim, 4 Drawing Sheets



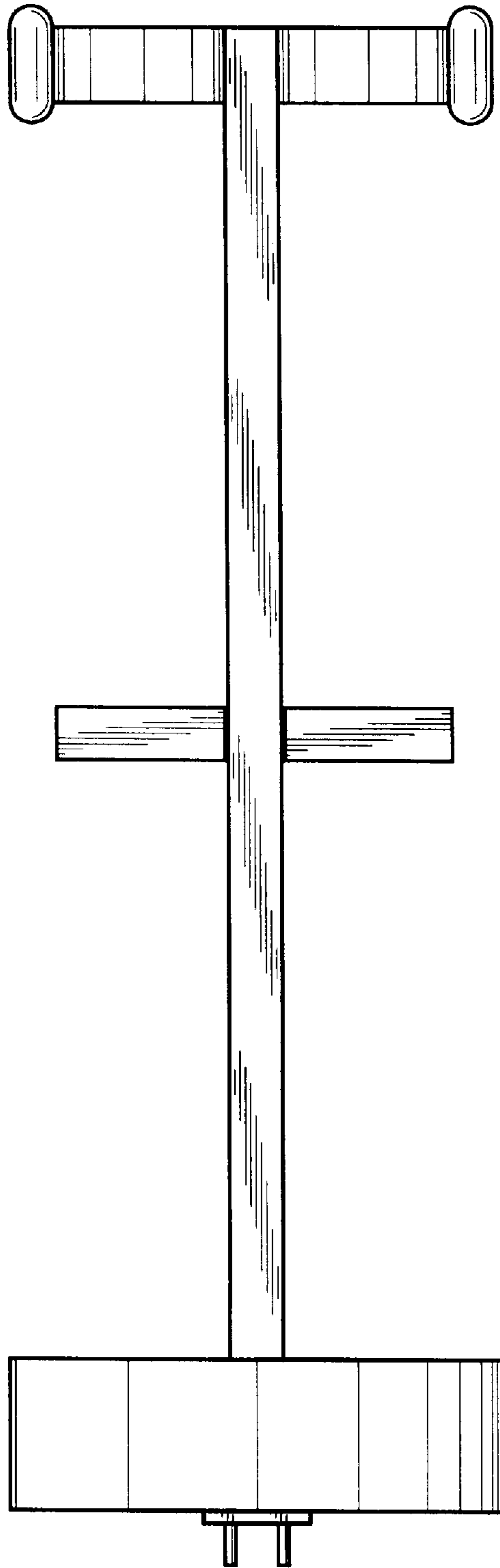


FIG. 1

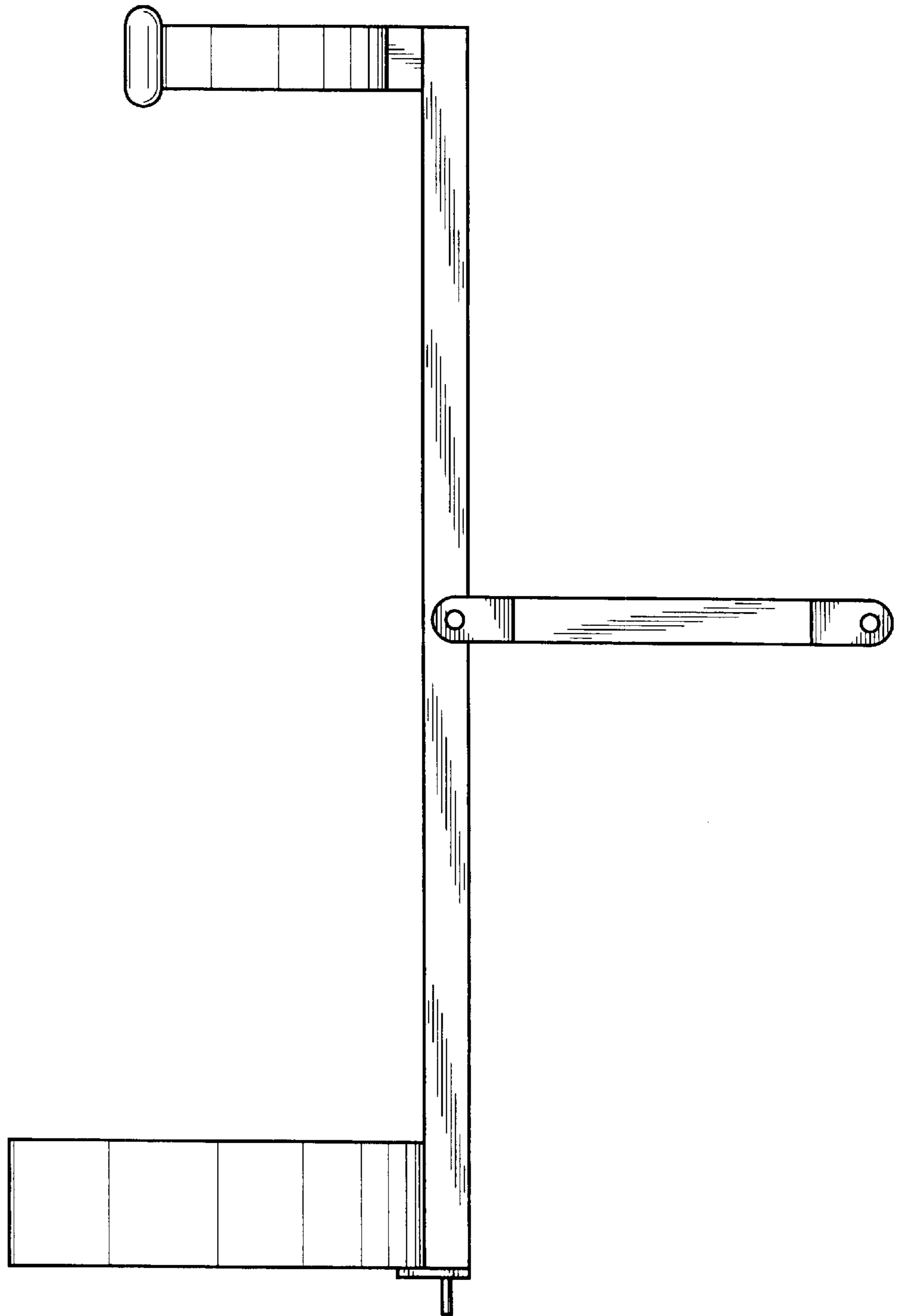


FIG. 2

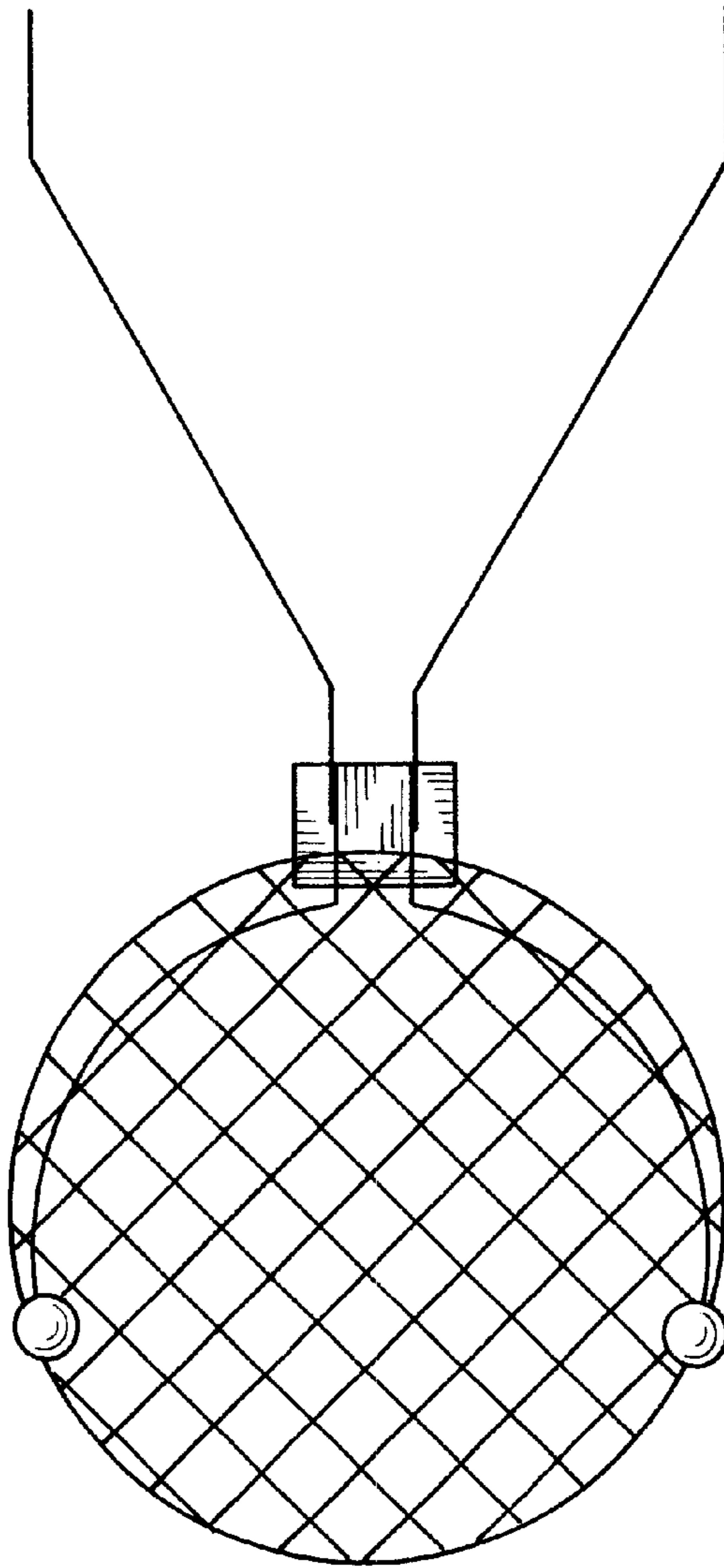


FIG. 3

FIG. 4

