



US00D459692S

(12) **United States Design Patent**  
**Vian**

(10) **Patent No.:** **US D459,692 S**

(45) **Date of Patent:** **\*\* Jul. 2, 2002**

(54) **VEHICLE WHEEL**

(75) Inventor: **Paolo Vian**, Verona (IT)

(73) Assignee: **Breed Automotive Technology, Inc.**,  
Lakeland, FL (US)

(\*\*) Term: **14 Years**

(21) Appl. No.: **29/154,417**

(22) Filed: **Jan. 25, 2002**

(30) **Foreign Application Priority Data**

Aug. 3, 2001 (IT) ..... MI0100580

(51) **LOC (7) Cl.** ..... **12-16**

(52) **U.S. Cl.** ..... **D12/211**

(58) **Field of Search** ..... D12/204-211;  
301/37.1, 64.1, 65

(56) **References Cited**

**U.S. PATENT DOCUMENTS**

D392,237 S \* 3/1998 Kelley ..... D12/209

D418,798 S	*	1/2000	Muzzarelli et al. ....	D12/211
D436,912 S	*	1/2001	Boyer .....	D12/211
D439,212 S	*	3/2001	Neeper .....	D12/211
D441,709 S	*	5/2001	Vian .....	D12/211
D444,118 S	*	6/2001	Chung .....	D12/211
D446,493 S	*	8/2001	Sulahian et al. ....	D12/211
D455,109 S	*	4/2002	Foose .....	D12/211

\* cited by examiner

*Primary Examiner*—Stacia Cadmus

(74) *Attorney, Agent, or Firm*—Lonnie Drayer

(57) **CLAIM**

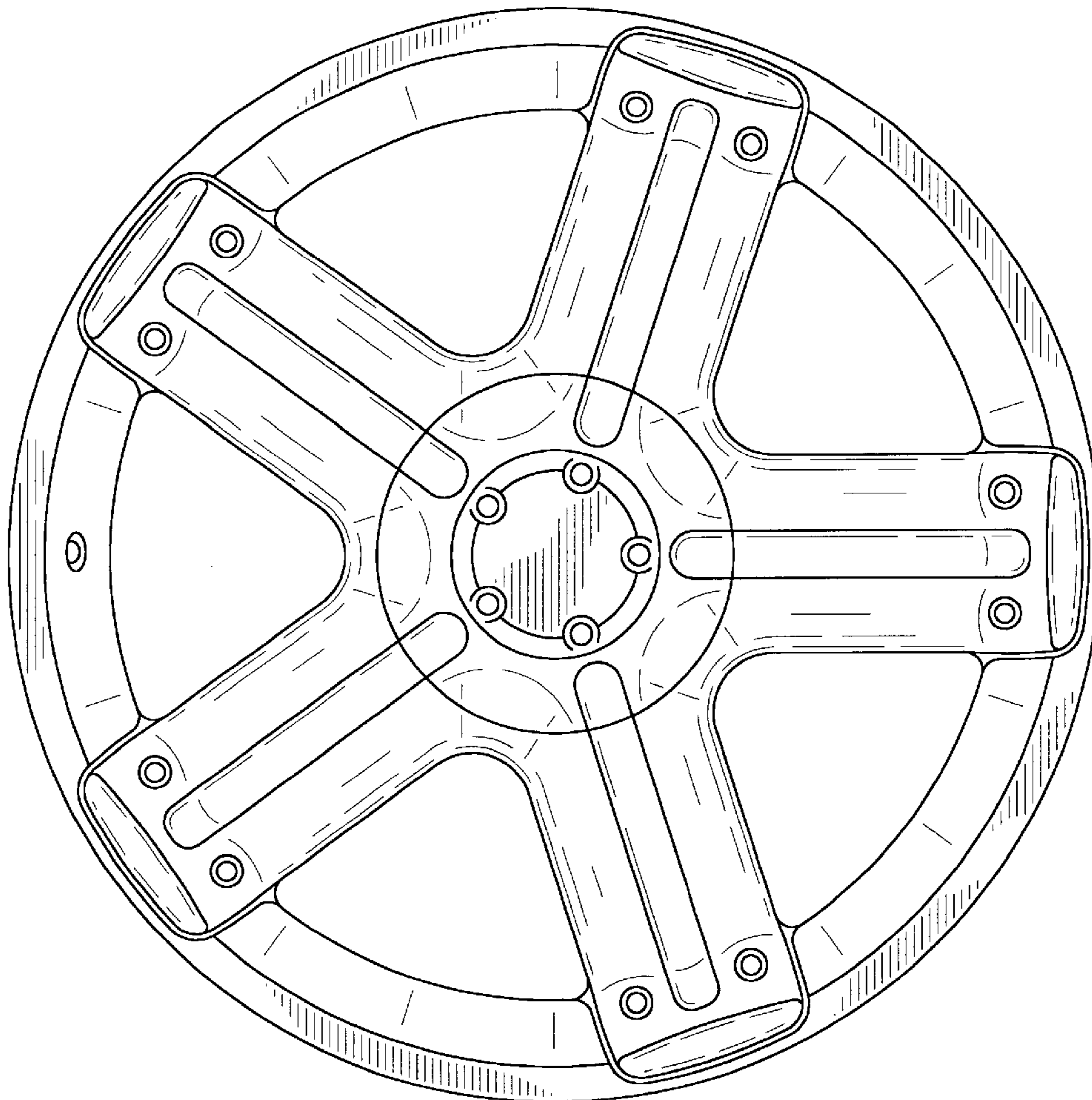
The ornamental design for a vehicle wheel, as shown and described.

**DESCRIPTION**

FIG. 1 is a front view of a vehicle wheel showing my new design; and,

FIG. 2 is a perspective view thereof.

**1 Claim, 2 Drawing Sheets**



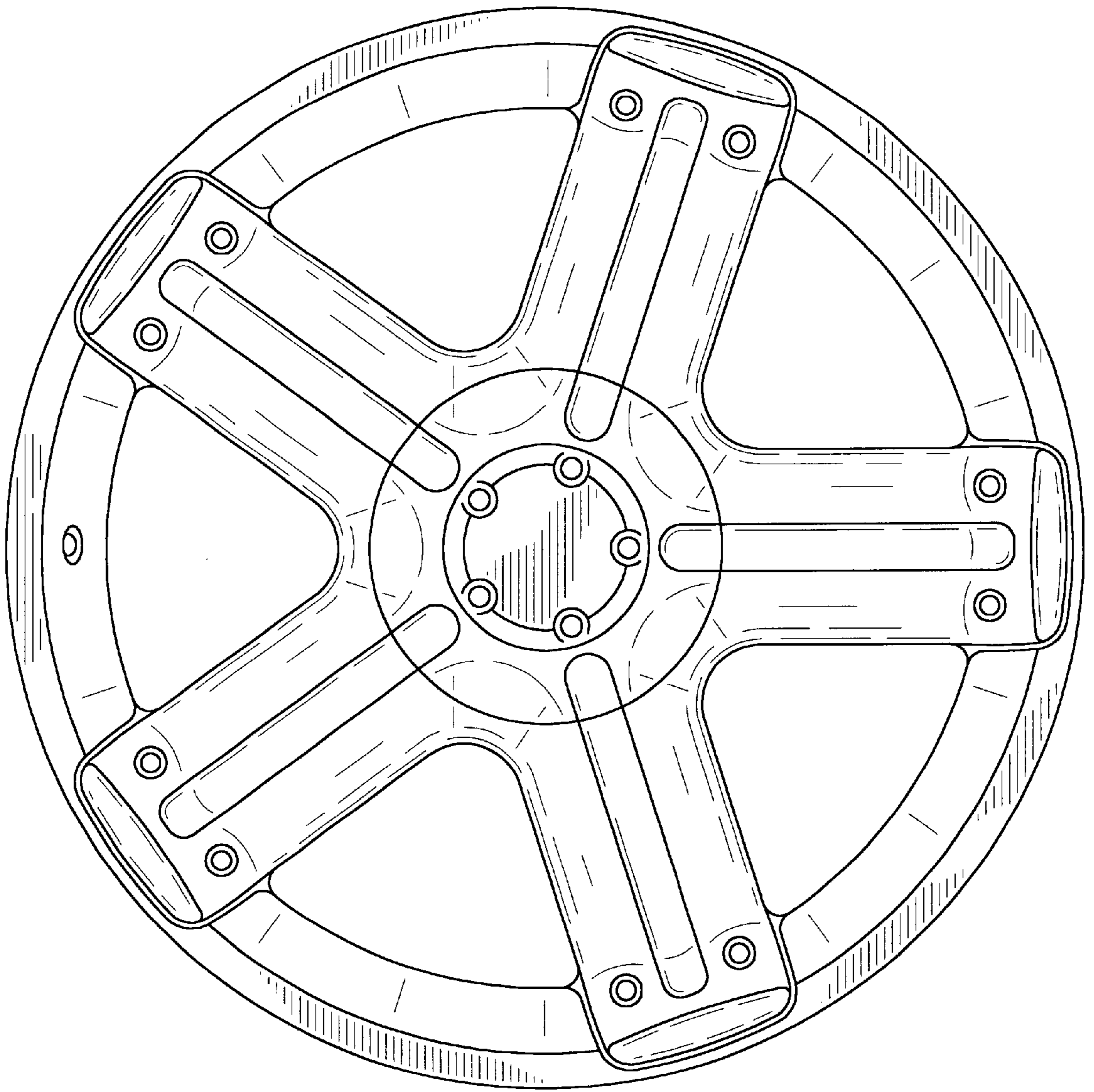


FIG-1

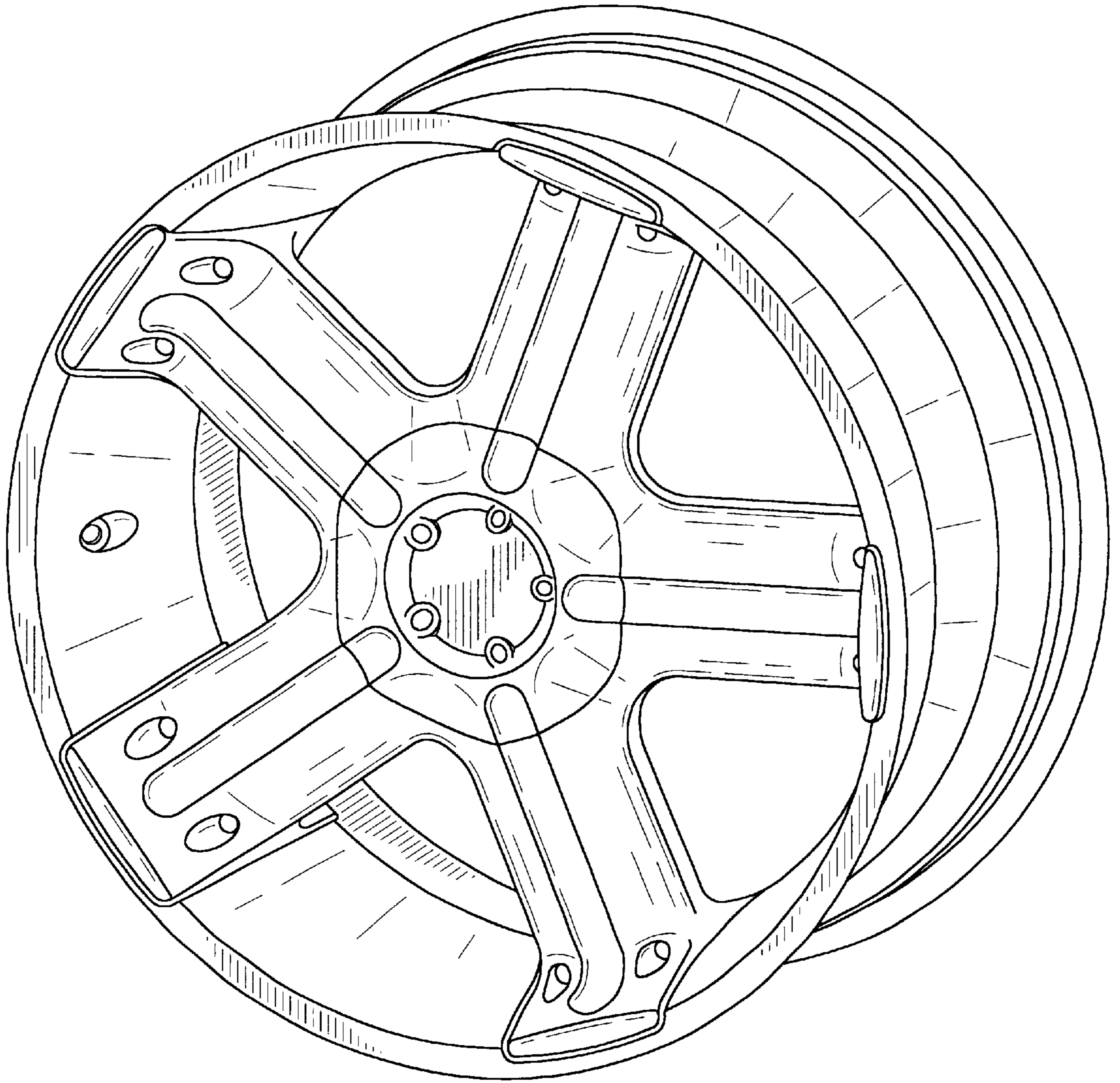


FIG-2