



US00D459689S

(12) **United States Design Patent**
Hieke

(10) **Patent No.:** **US D459,689 S**

(45) **Date of Patent:** **** Jul. 2, 2002**

(54) **FRONT FACE OF A VEHICLE WHEEL**

(75) **Inventor:** **Claus Hieke, Sindelfingen (DE)**

(73) **Assignee:** **DaimlerChrysler AG, Stuttgart (DE)**

(**) **Term:** **14 Years**

(21) **Appl. No.:** **29/135,020**

(22) **Filed:** **Jan. 5, 2001**

(30) **Foreign Application Priority Data**

Jul. 5, 2000 (DE) 400 06 243

(51) **LOC (7) Cl.** **12-16**

(52) **U.S. Cl.** **D12/211**

(58) **Field of Search** **D12/204-211;**
301/37.1, 64.1, 65

(56) **References Cited**

U.S. PATENT DOCUMENTS

D379,612 S	*	6/1997	Honarkhah	D12/209
D380,432 S	*	7/1997	Hettler	D12/209
D384,025 S	*	9/1997	Roesianto	D12/209
D384,320 S	*	9/1997	Bhambra	D12/209
D398,573 S	*	9/1998	Cattaneo	D12/211
D412,692 S	*	8/1999	Hussaini	D12/209
D413,851 S	*	9/1999	Donikoglu	D12/209
D414,738 S	*	10/1999	Escue	D12/209
D420,637 S	*	2/2000	Glade	D12/209
D421,417 S	*	3/2000	Weidhase	D12/209
D422,258 S	*	4/2000	Hale, Jr.	D12/211

D426,184 S	*	6/2000	Goplen	D12/209
D428,846 S	*	8/2000	Yoshida et al.	D12/211
D429,681 S	*	8/2000	Cullen	D12/211
D433,374 S	*	11/2000	Wang	D12/209
D433,659 S	*	11/2000	Frizzi	D12/211
D437,821 S	*	2/2001	Frohlich	D12/211
D449,028 S	*	10/2001	Weidhase	D12/209
D450,647 S	*	11/2001	Pfeiffer	D12/211
D451,463 S	*	12/2001	Murkett et al.	D12/209

* cited by examiner

Primary Examiner—Stacia Cadmus

(74) *Attorney, Agent, or Firm*—Crowell & Moring LLP

(57) **CLAIM**

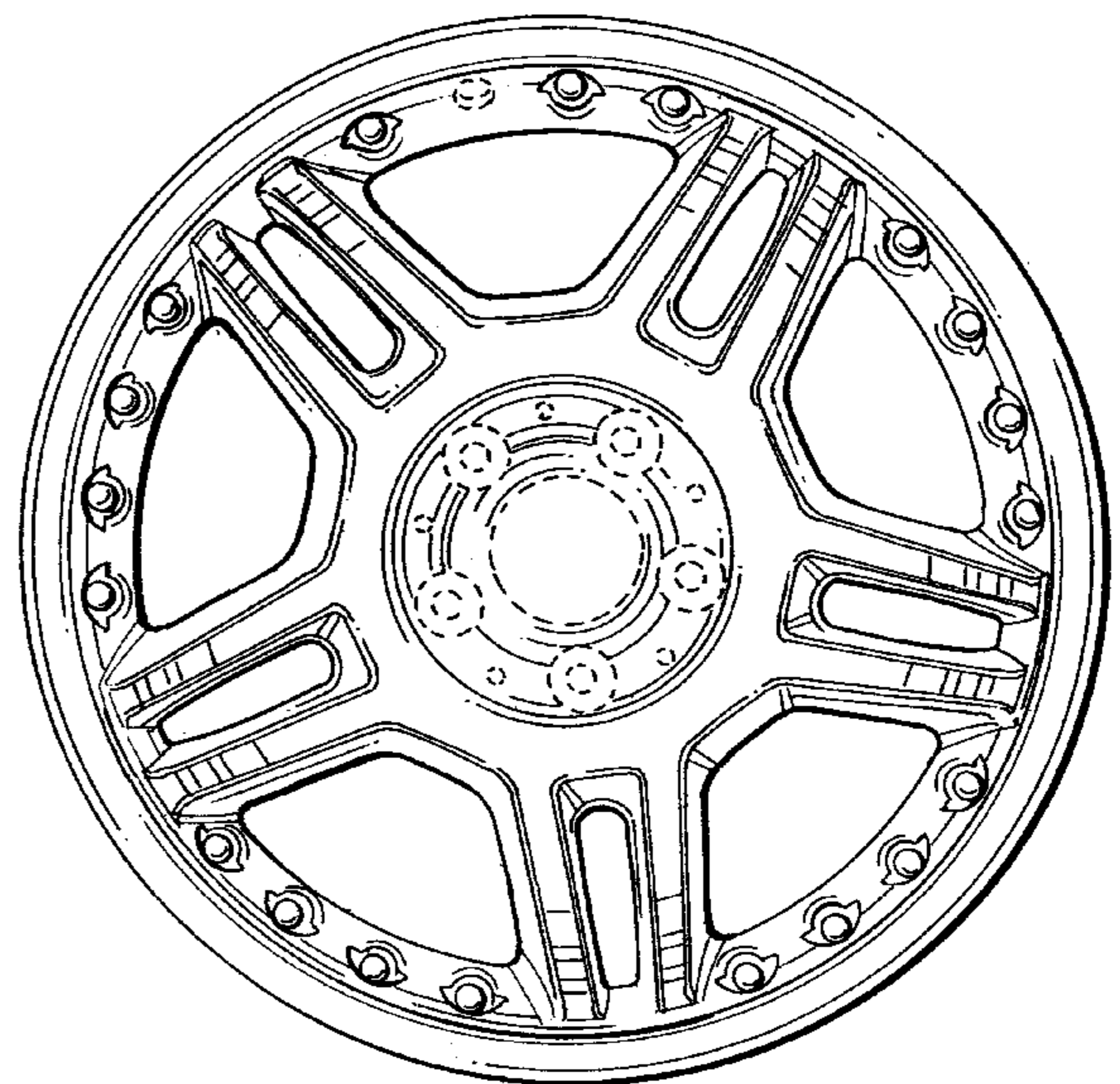
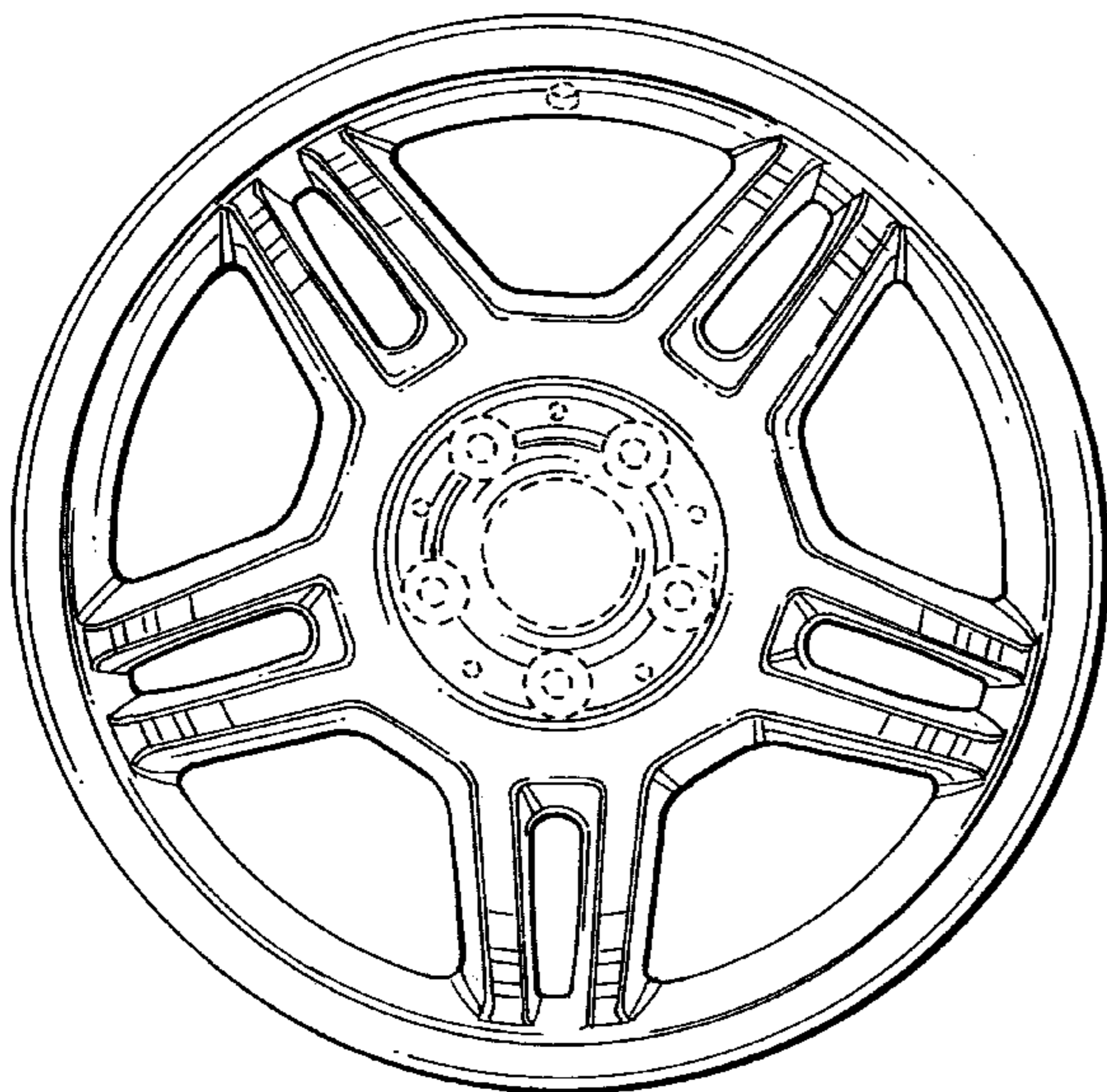
The ornamental design for a front face of a vehicle wheel, as shown and described.

DESCRIPTION

FIG. 1 is a front view of a first embodiment of a front face of a vehicle wheel according to my novel design; FIG. 2 is a perspective view of the first embodiment of the front face of a vehicle wheel according to my novel design; FIG. 3 is a front view of a second embodiment of the front face of a vehicle wheel according to my novel design; and, FIG. 4 is a perspective view of the second embodiment of the front face of a vehicle wheel according to my novel design.

The dash lines included depict environment and are not part of the claimed design.

1 Claim, 2 Drawing Sheets



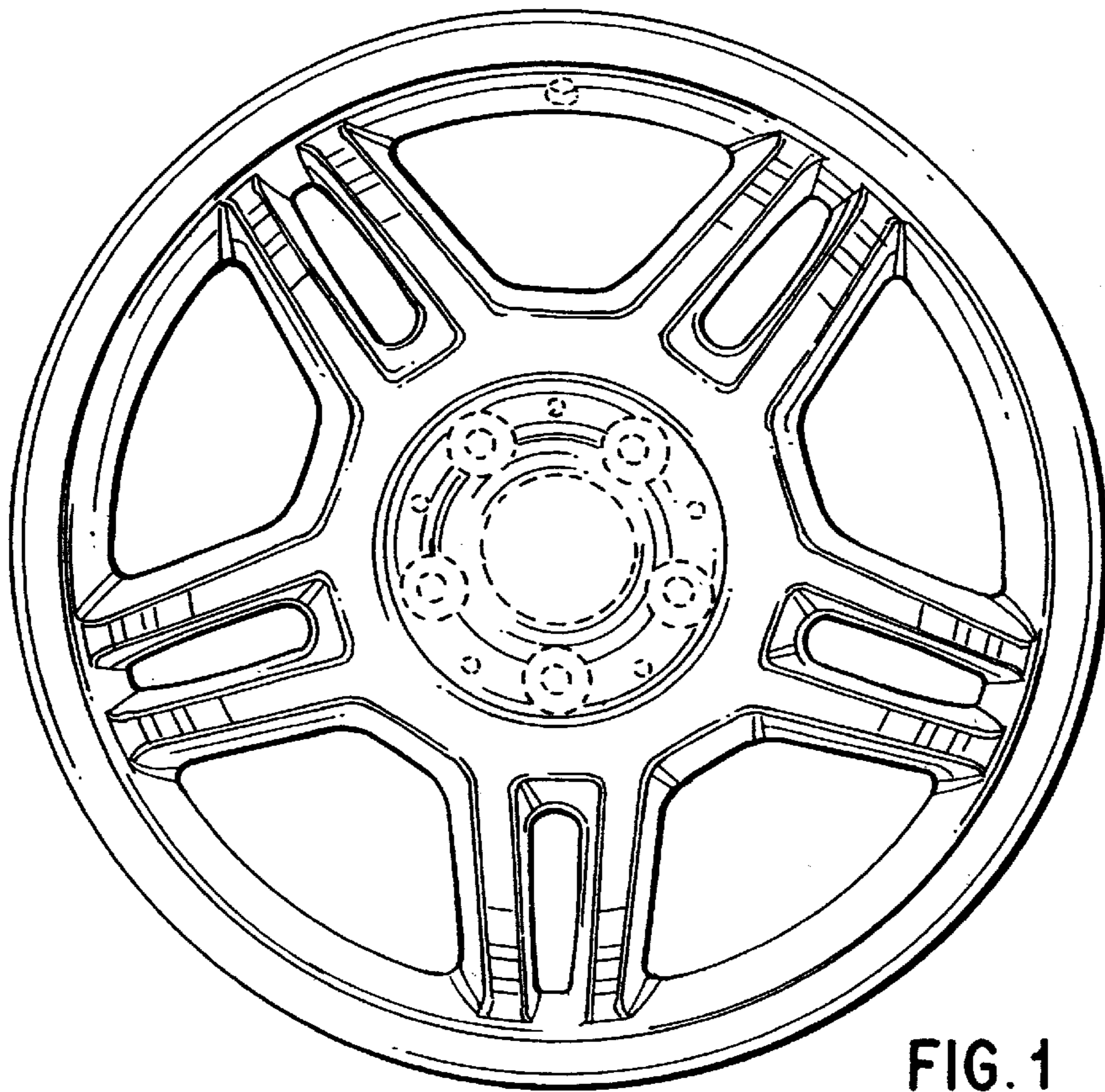


FIG. 1

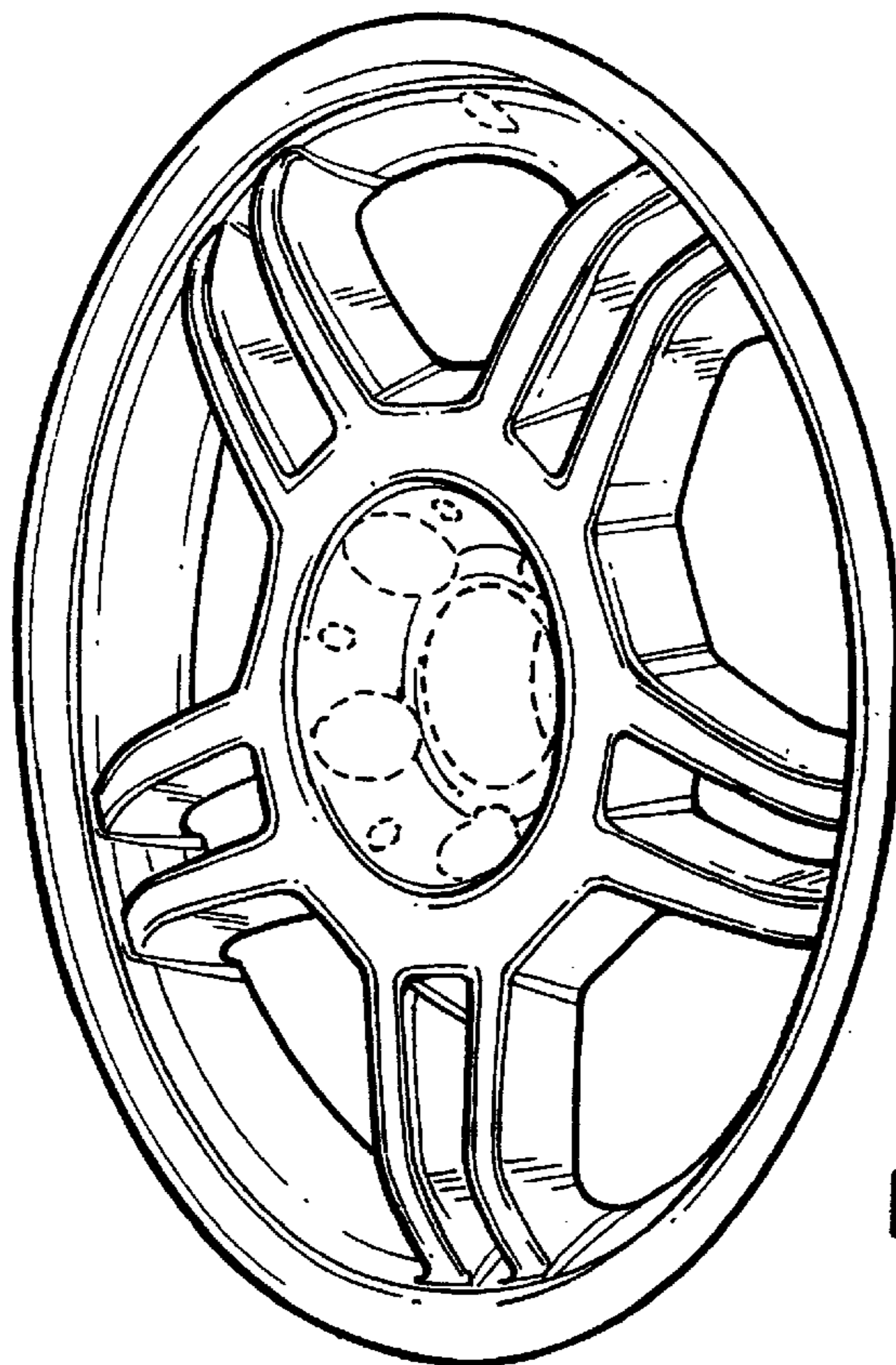


FIG. 2

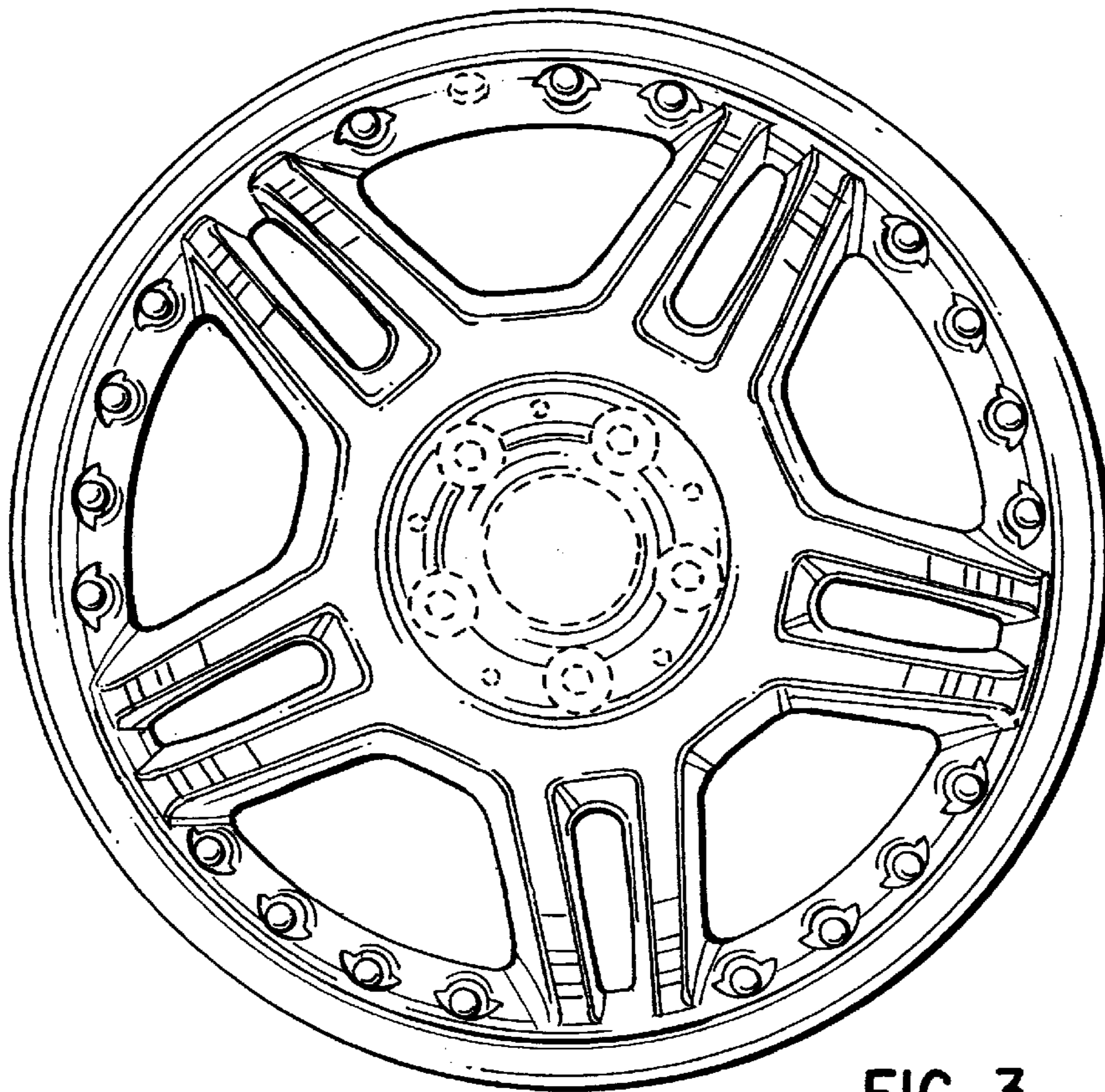


FIG. 3

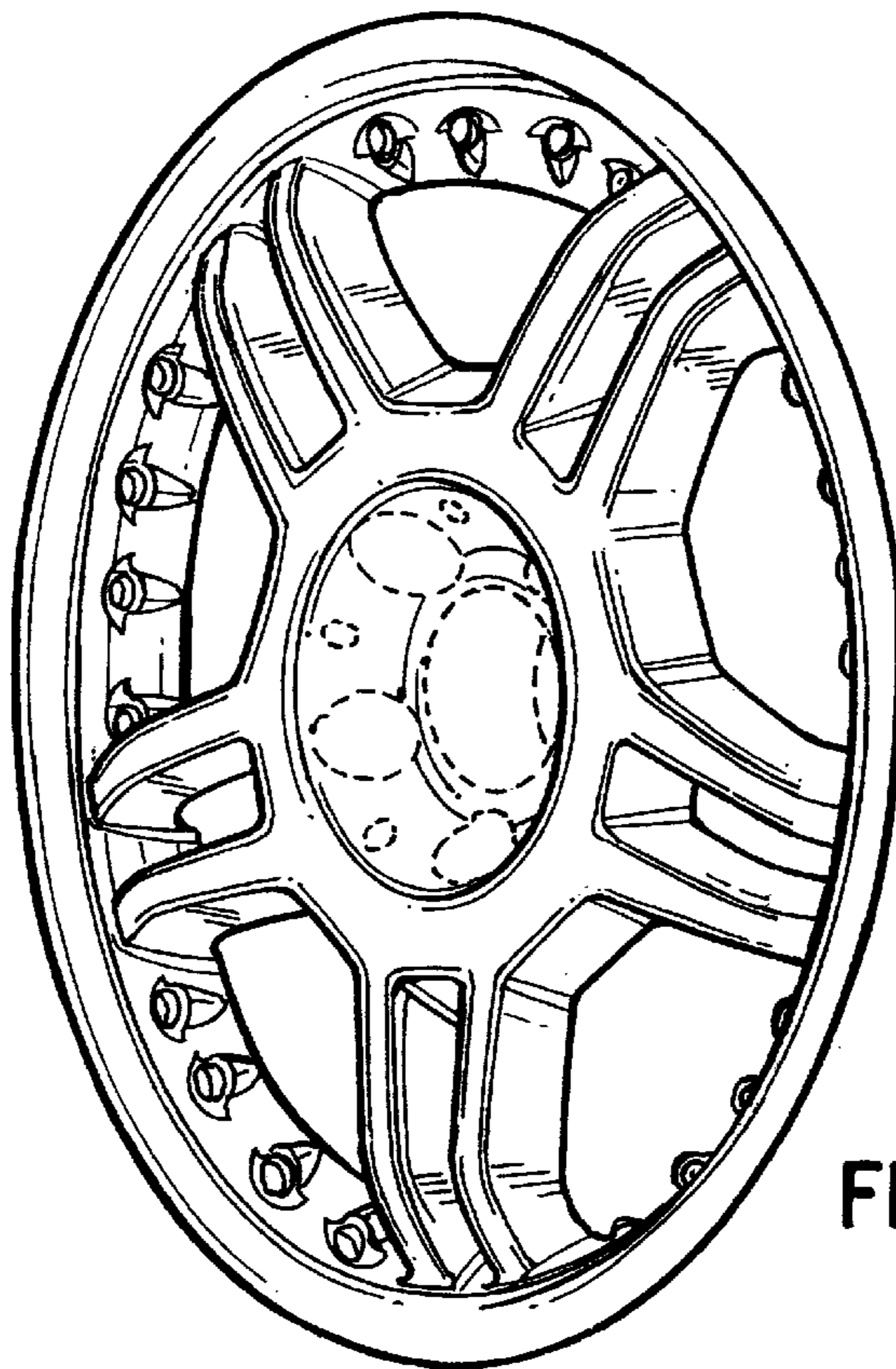


FIG. 4