



US00D459688S

(12) **United States Design Patent**
Wiesinger

(10) **Patent No.:** **US D459,688 S**

(45) **Date of Patent:** **** Jul. 2, 2002**

(54) **VEHICLE WHEEL**

D427,130 S * 6/2000 Johnson D12/211
D438,505 S * 3/2001 McMath D12/211

(75) Inventor: **Alois Wiesinger**, Buchloe (DE)

OTHER PUBLICATIONS

(73) Assignee: **ALPINA Burkard Bovensiepen GmbH + Co**, Buchloe (DE)

Copy of the catalogue Auto-Teile-Unger 18 pages, Jul. 2000.

(**) Term: **14 Years**

Copies of the registered designs in the German Patent Office (22 pages) (no date).

(21) Appl. No.: **29/122,958**

* cited by examiner

(22) Filed: **May 8, 2000**

Primary Examiner—Stacia Cadmus

(51) **LOC (7) Cl.** **12-16**

(74) *Attorney, Agent, or Firm*—Horst M. Kasper

(52) **U.S. Cl.** **D12/211**

(57) **CLAIM**

(58) **Field of Search** D12/204-211;
301/37.1, 64.1, 65

The ornamental design for a vehicle wheel, as shown and described.

(56) **References Cited**

DESCRIPTION

U.S. PATENT DOCUMENTS

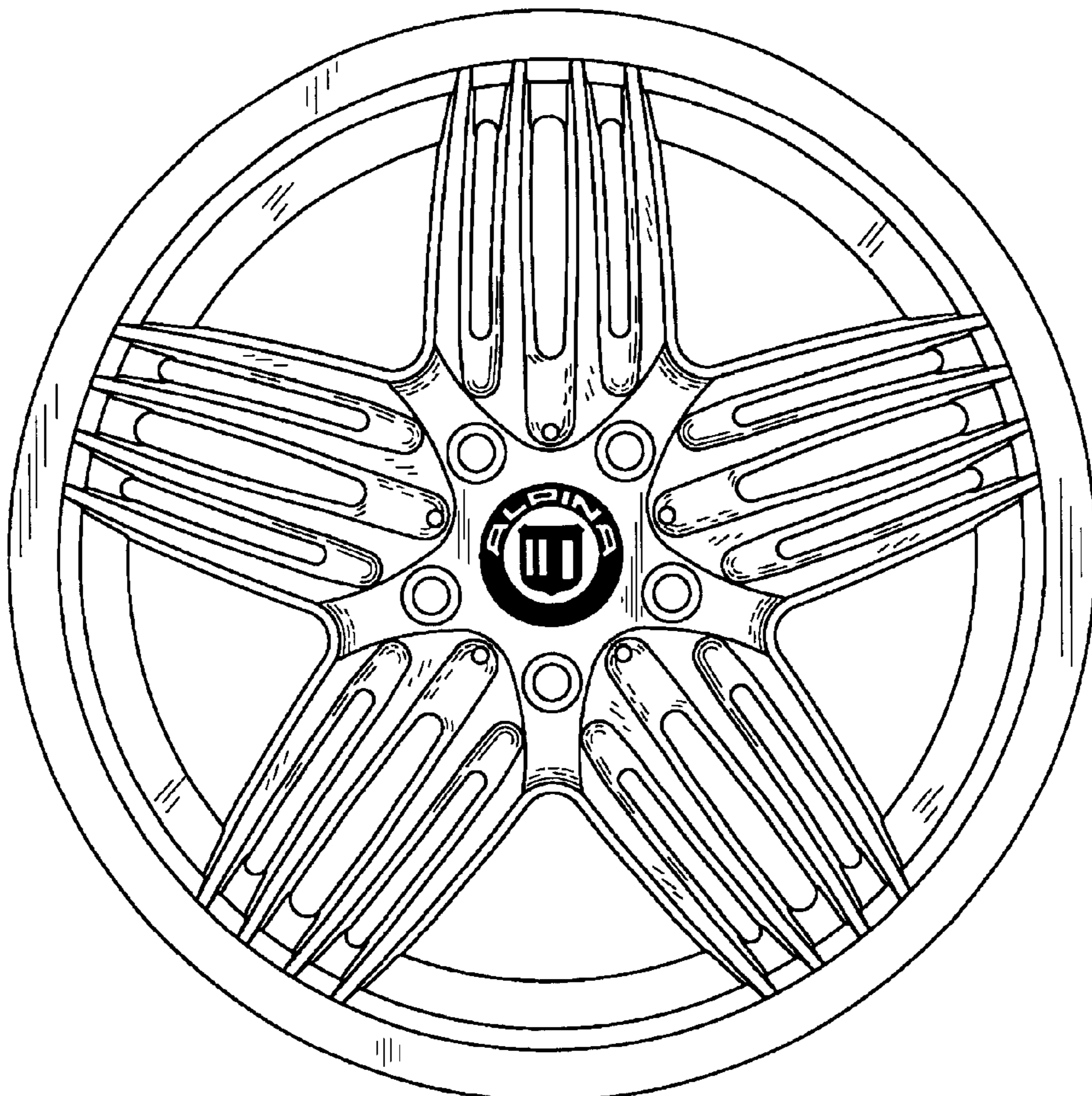
D258,503 S	*	3/1981	Semple	D12/211
D275,665 S	*	9/1984	De Vries	D12/211
D392,236 S	*	3/1998	Noriega	D12/209
D392,611 S	*	3/1998	Echazabal et al.	D12/211
D407,056 S	*	3/1999	Hodges et al.	D12/211
D409,552 S	*	5/1999	Chung	D12/211
D419,945 S	*	2/2000	Hartanto	D12/211

FIG. 1 is a perspective view of a vehicle wheel showing my new design;

FIG. 2 is a front view thereof; and,

FIG. 3 is a top view thereof; a bottom view, a left side view and a right side view are the same.

1 Claim, 3 Drawing Sheets



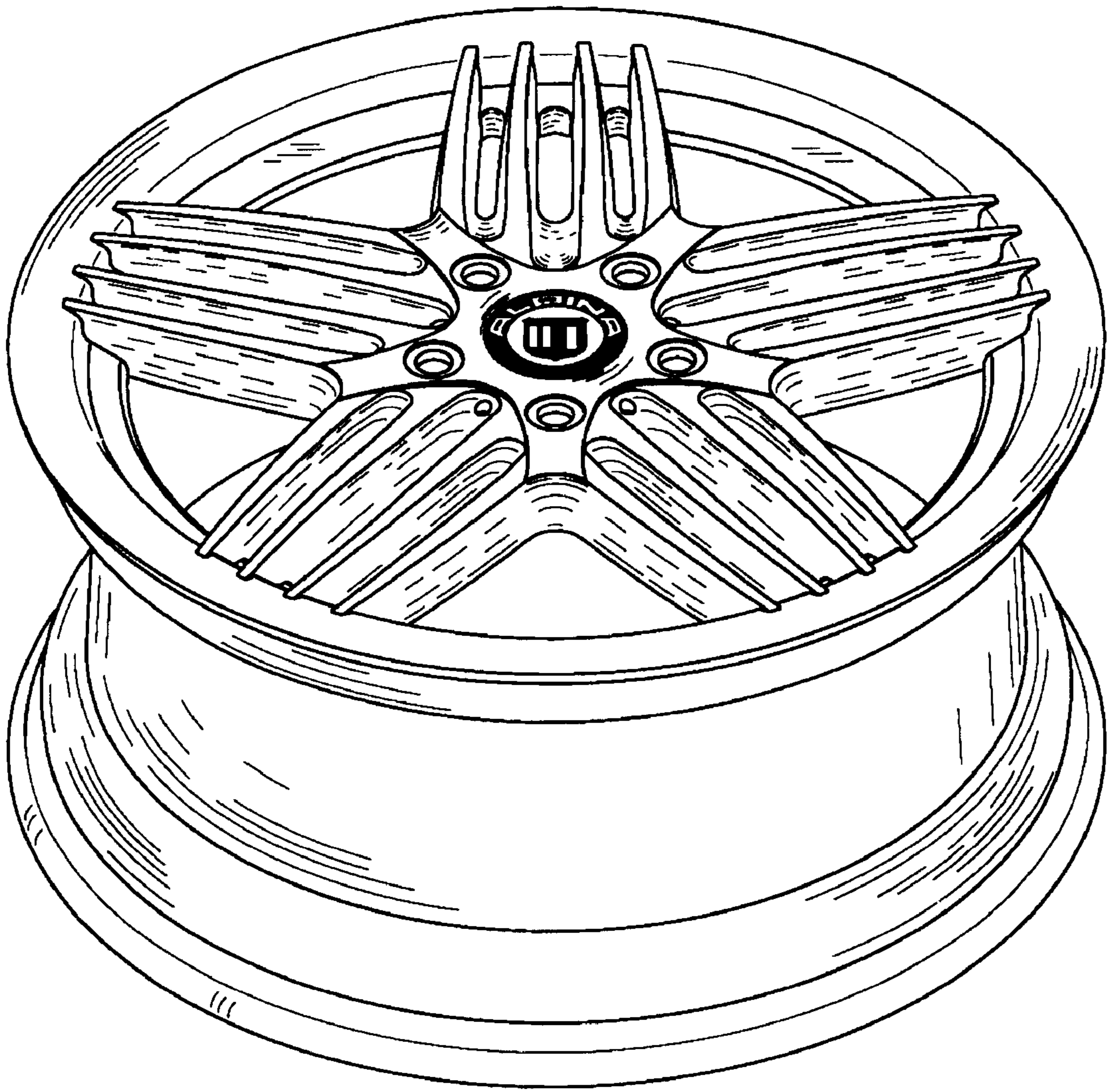


Fig. 1

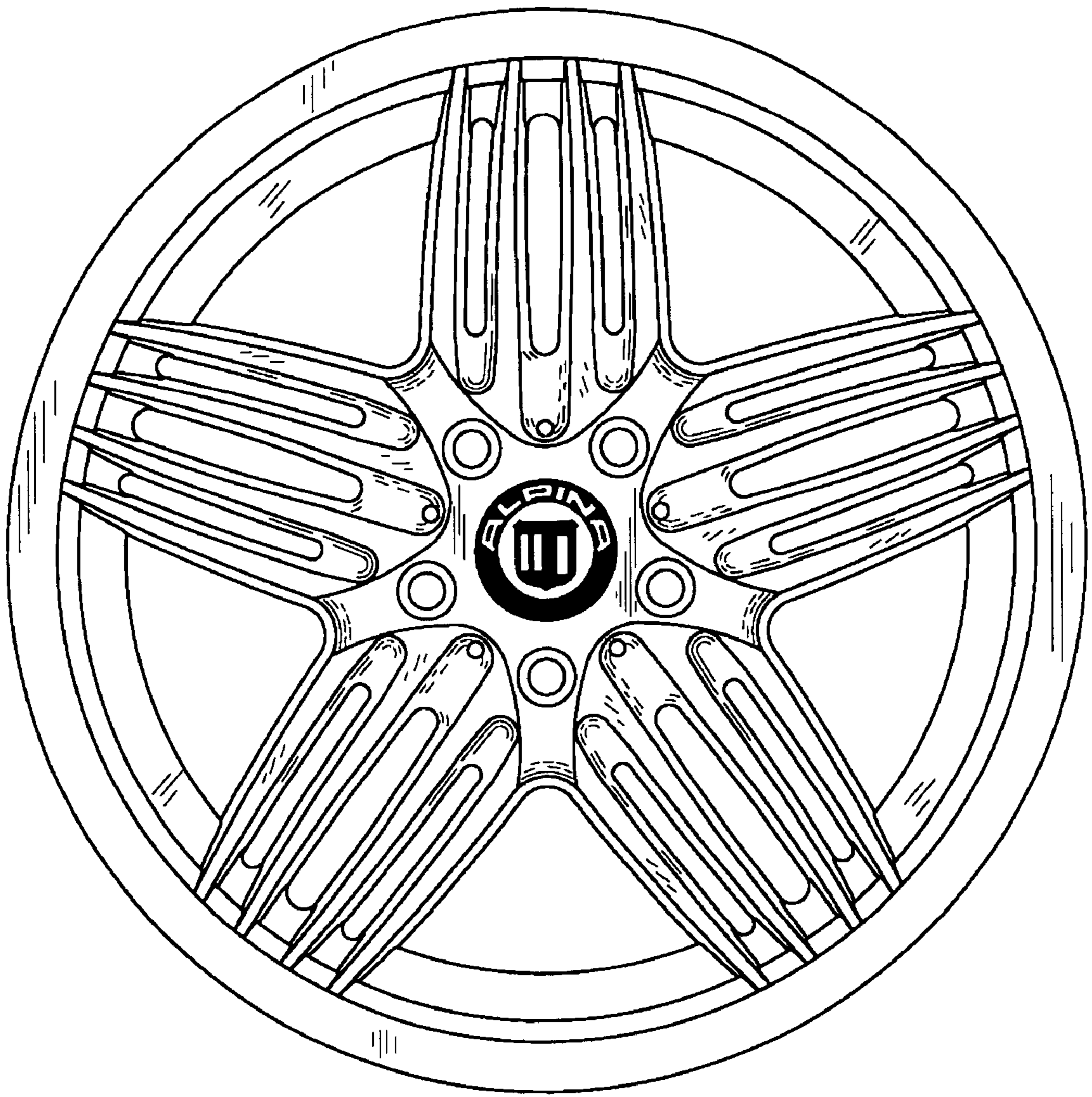


Fig. 2

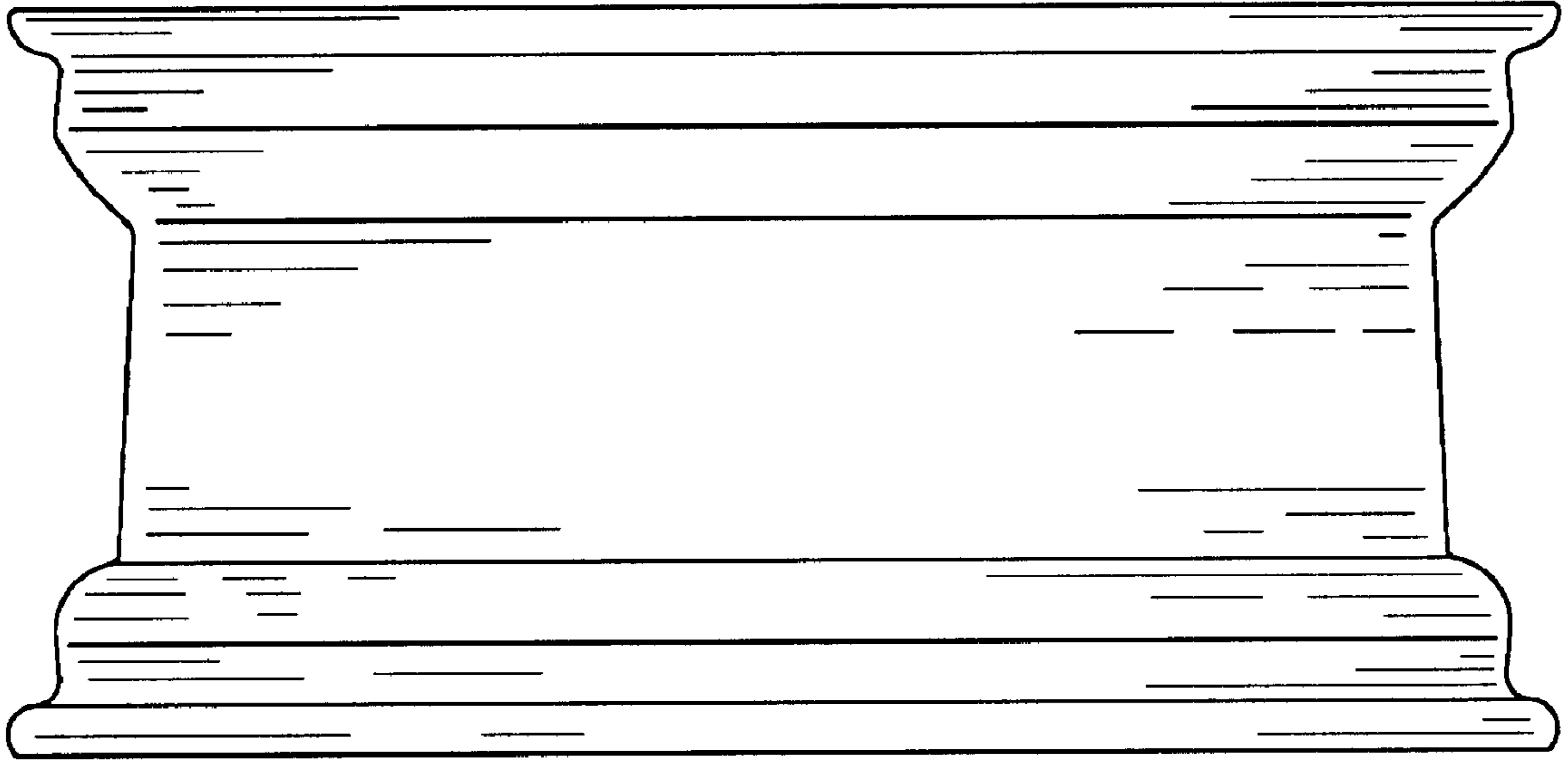


Fig. 3