



US00D459681S

(12) **United States Design Patent**
Turcotte

(10) **Patent No.:** **US D459,681 S**

(45) **Date of Patent:** **** Jul. 2, 2002**

(54) **DUMP BODY FOR A TRUCK**

(75) Inventor: **Jocelyn J. Turcotte**, Gatineau (CA)

(73) Assignee: **Les Ateliers Beau-Roc Inc.**, Vars (CA)

(**) Term: **14 Years**

(21) Appl. No.: **29/146,171**

(22) Filed: **Aug. 6, 2001**

(30) **Foreign Application Priority Data**

Aug. 8, 2001 (CA) 2001-0326

(51) **LOC (7) Cl.** **12-08**

(52) **U.S. Cl.** **D12/15; D12/93**

(58) **Field of Search** D12/1, 15, 93,
D12/98, 196; 298/11, 23 C, 23 M; 296/56,
57.1, 184, 291; 414/476-477, 480

(56) **References Cited**

U.S. PATENT DOCUMENTS

- D289,748 S * 5/1987 Proeschl D12/15
- D309,816 S * 8/1990 Morrow, Sr. D12/15 X
- D386,128 S * 11/1997 Gerding et al. D12/93
- D386,722 S * 11/1997 Dunphy D12/93
- D414,138 S * 9/1999 McKinney D12/15 X

- D429,662 S * 8/2000 Smith et al. D12/93
- D431,498 S * 10/2000 Smith et al. D12/93
- D445,067 S * 7/2001 Musso, Jr. et al. D12/15
- D450,627 S * 11/2001 Musso, Jr. et al. D12/15
- D450,628 S * 11/2001 Musso, Jr. et al. D12/15

* cited by examiner

Primary Examiner—Stacia Cadmus

(74) *Attorney, Agent, or Firm*—Simpson & Simpson, PLLC

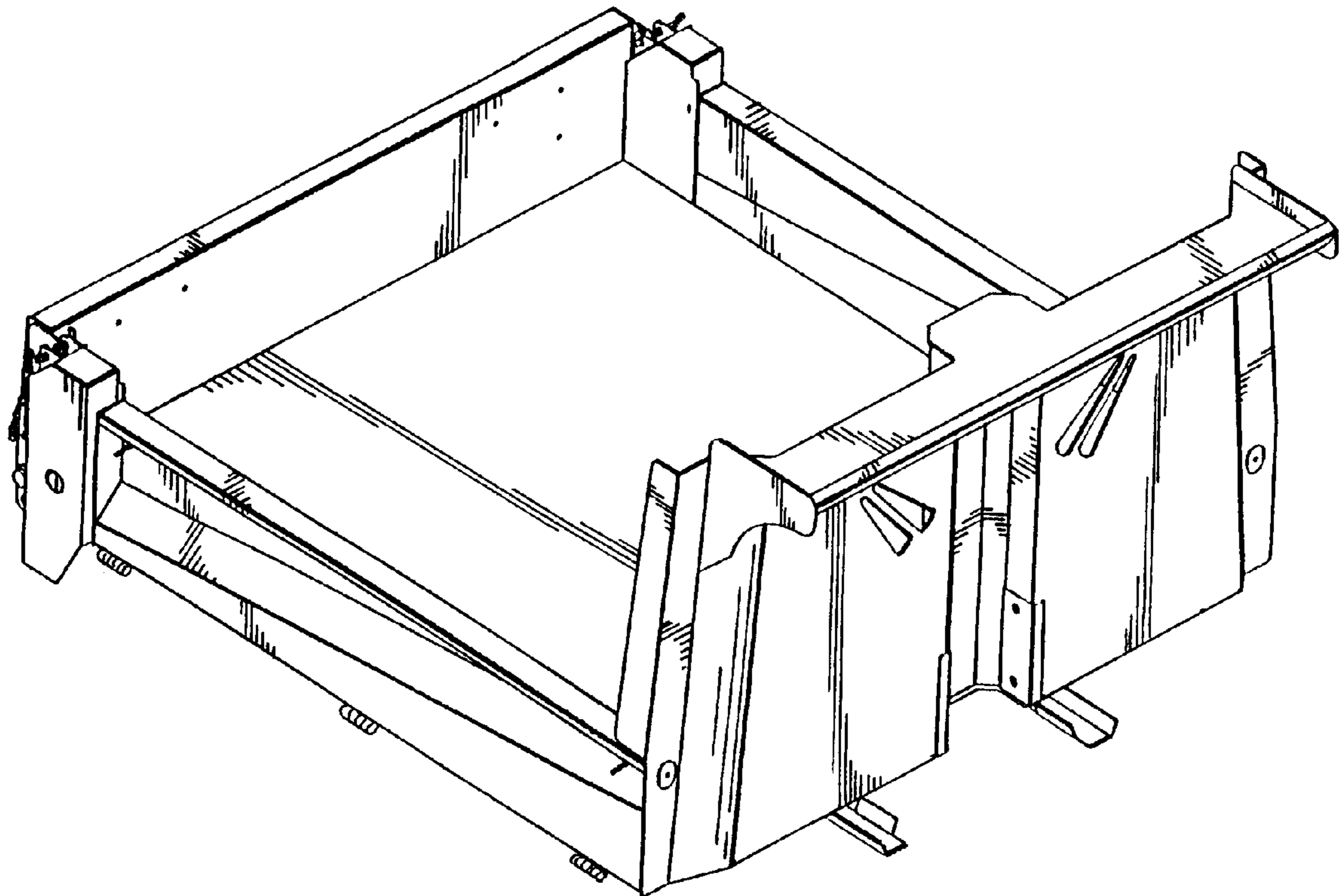
(57) **CLAIM**

The ornamental design for a dump body for a truck, as shown and described.

DESCRIPTION

FIG. 1 is a front perspective of a dump body for a truck, showing my new design;
 FIG. 2 is rear perspective view thereof;
 FIG. 3 is an enlarged front view thereof;
 FIG. 4 is an enlarged rear view thereof;
 FIG. 5 is a top view thereof;
 FIG. 6 is a bottom view thereof;
 FIG. 7 is a left side view thereof, it being understood that the right is a mirror image thereof; and,
 FIG. 8 is a front perspective view thereof with the side panel shown in a lowered position.

1 Claim, 4 Drawing Sheets



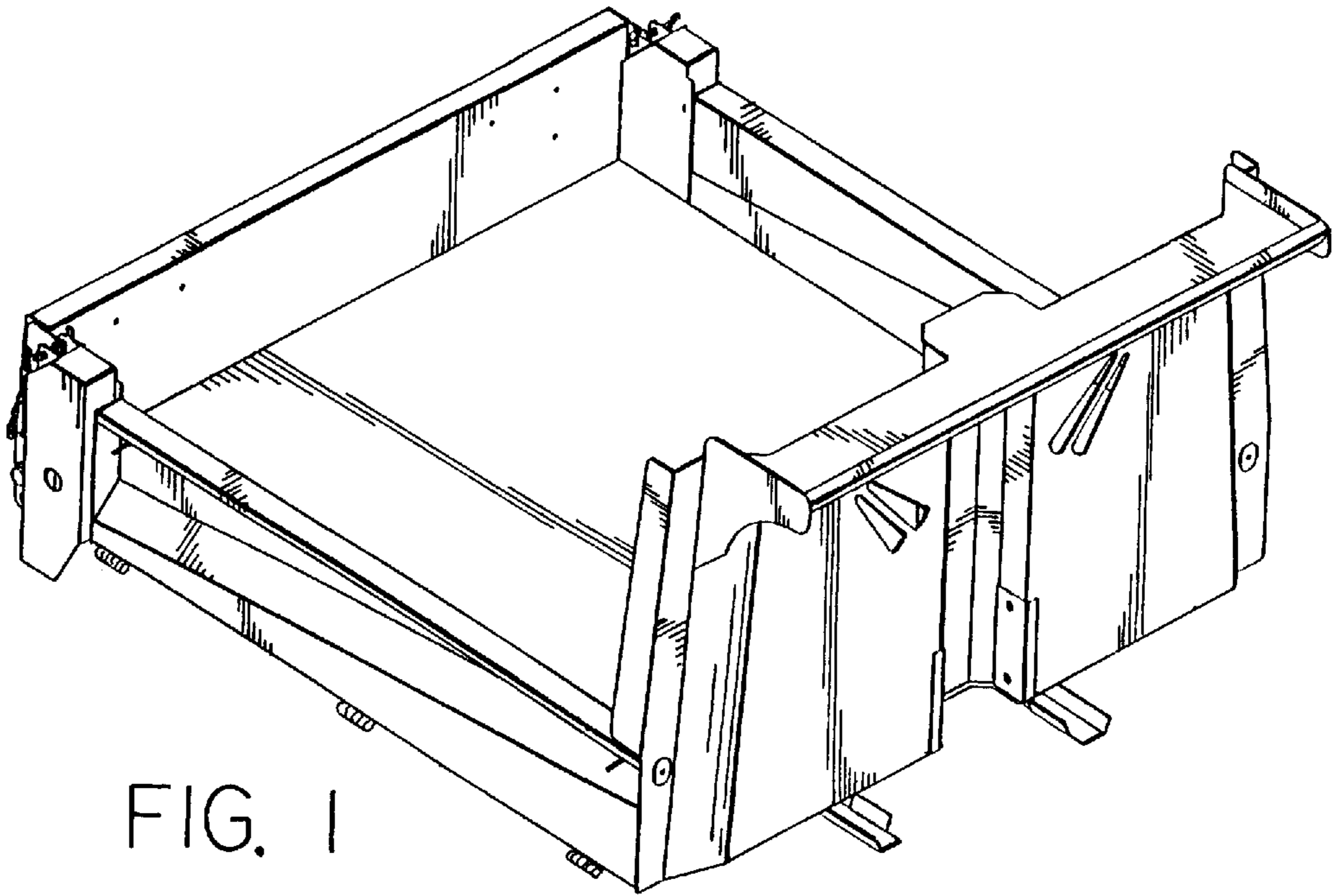


FIG. 1

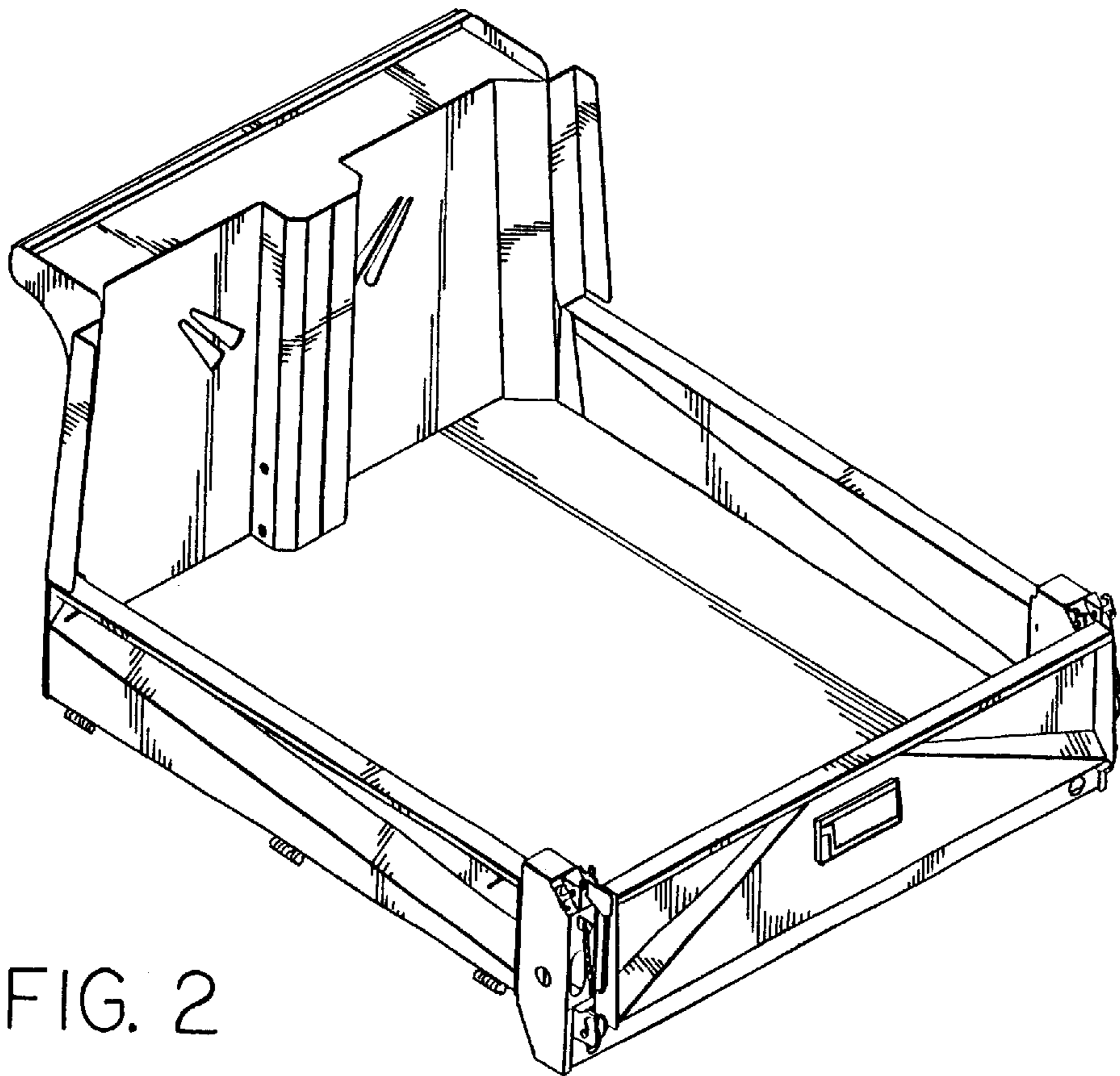


FIG. 2

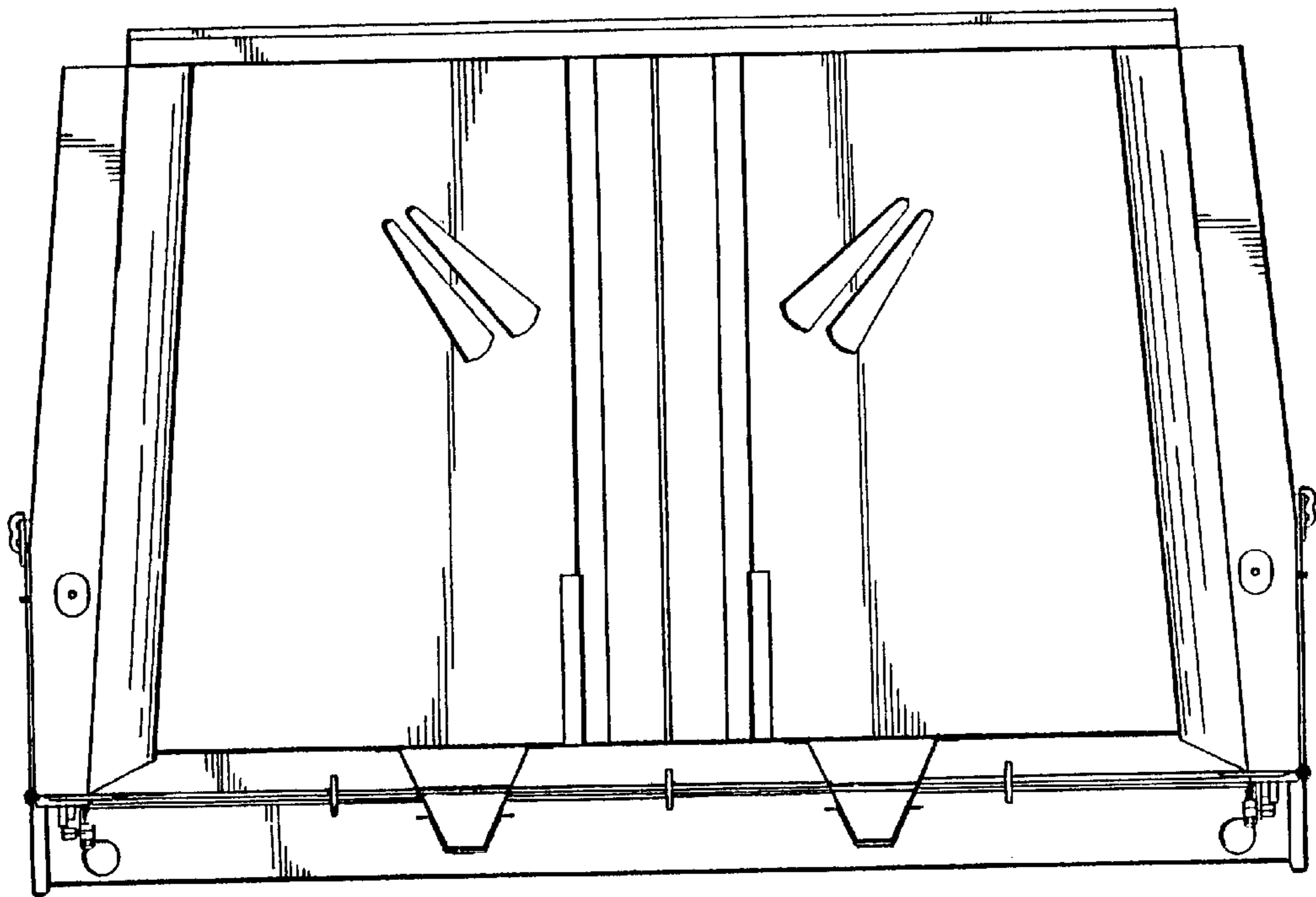


FIG. 3

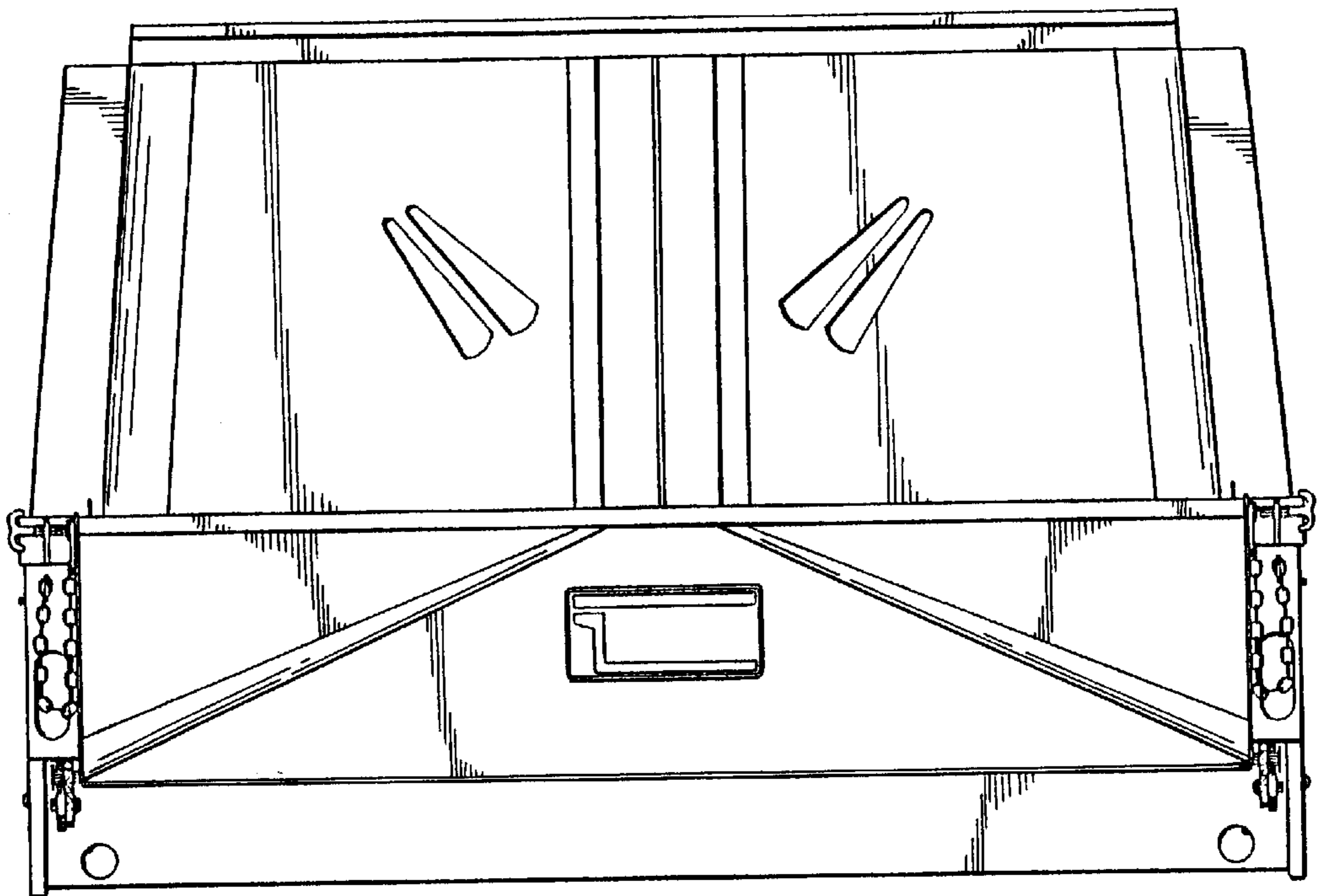


FIG. 4

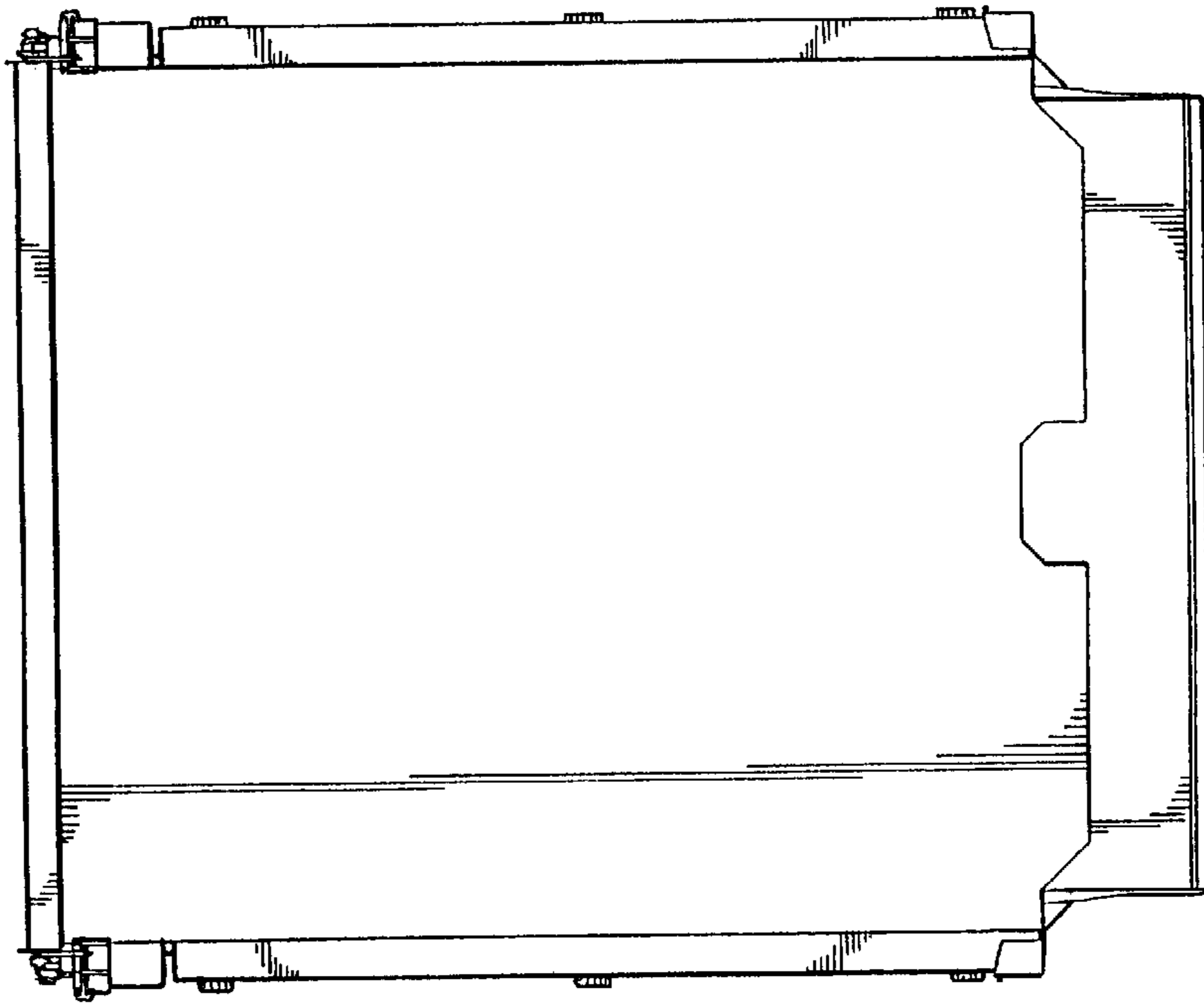


FIG. 5

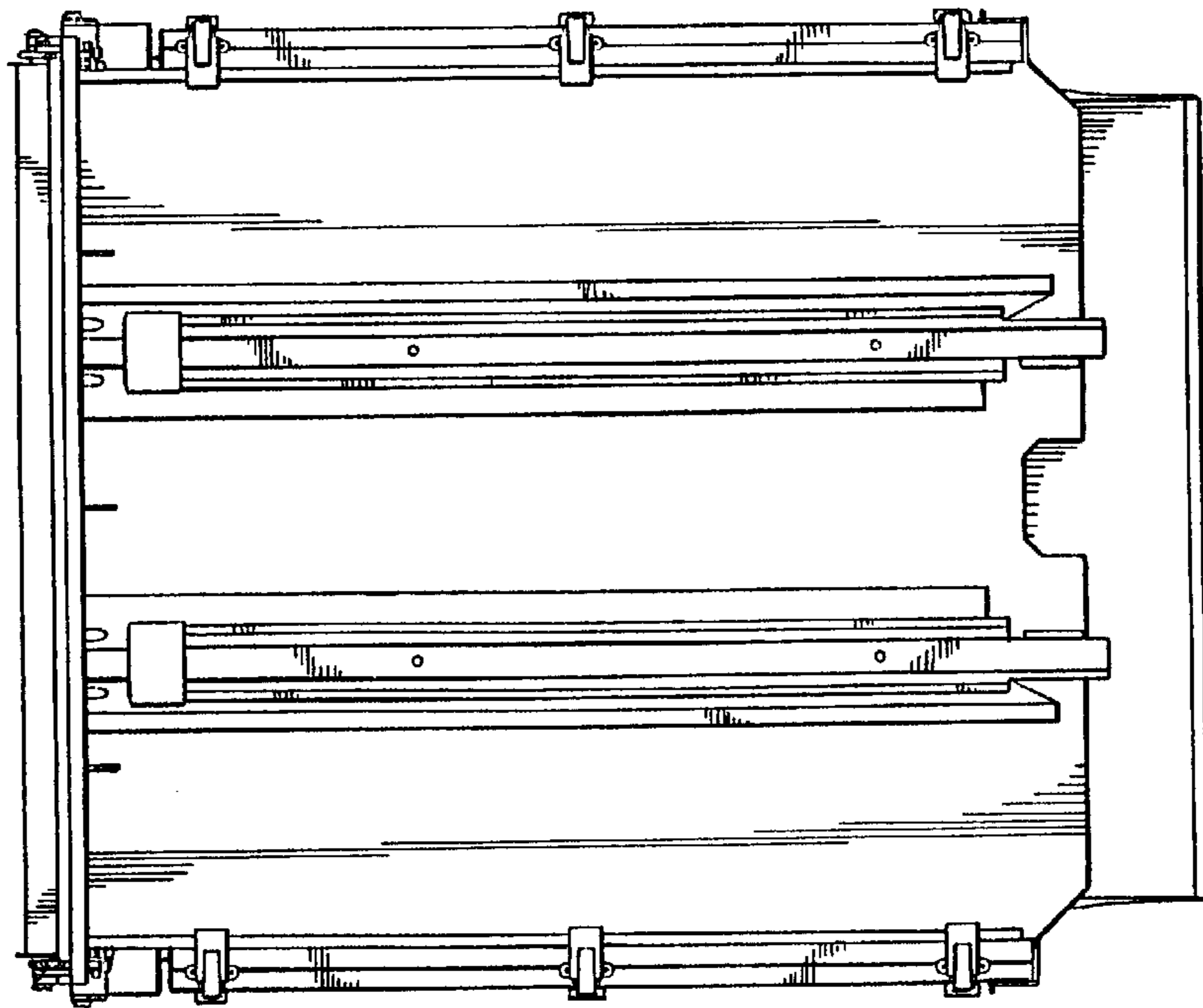


FIG. 6

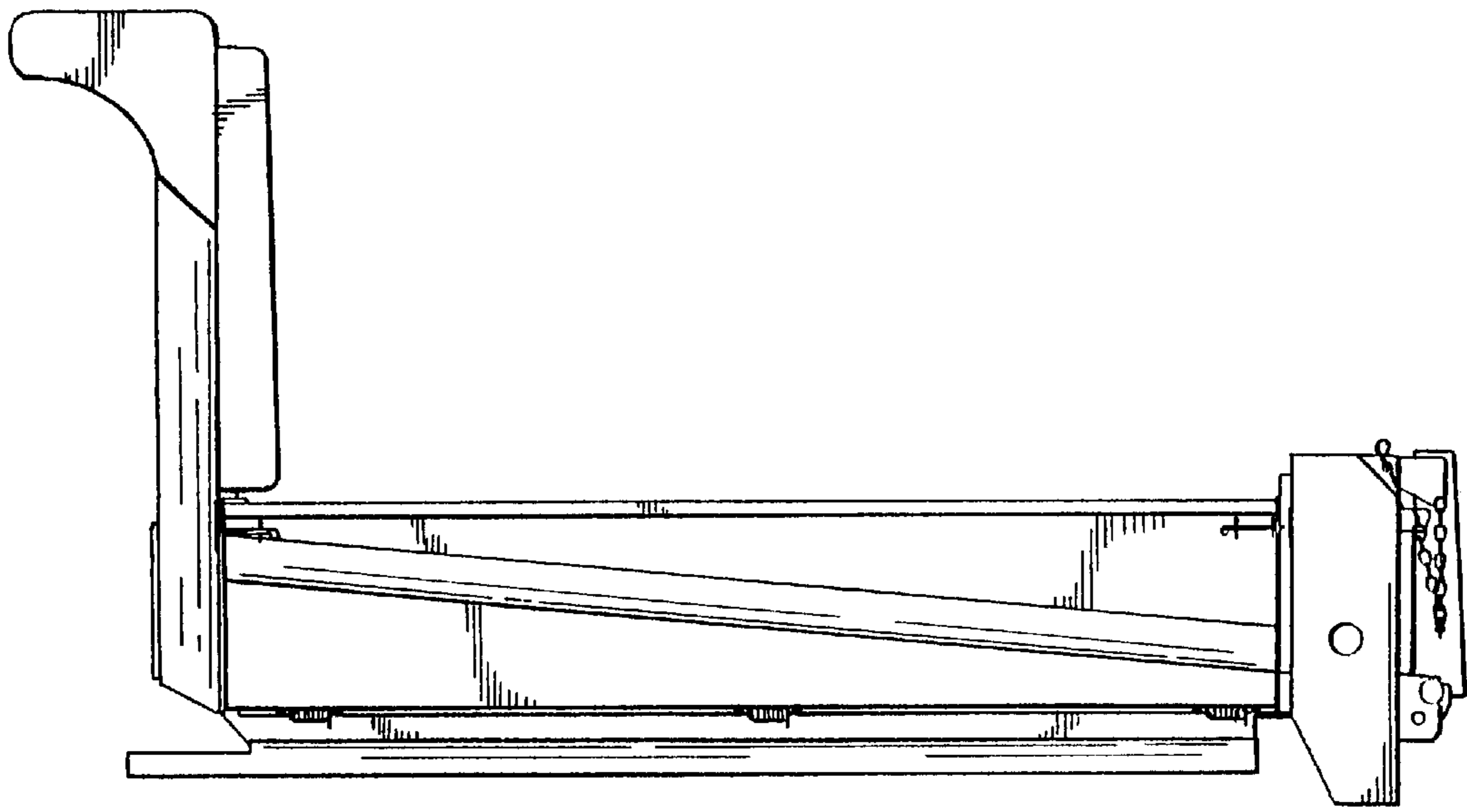


FIG. 7

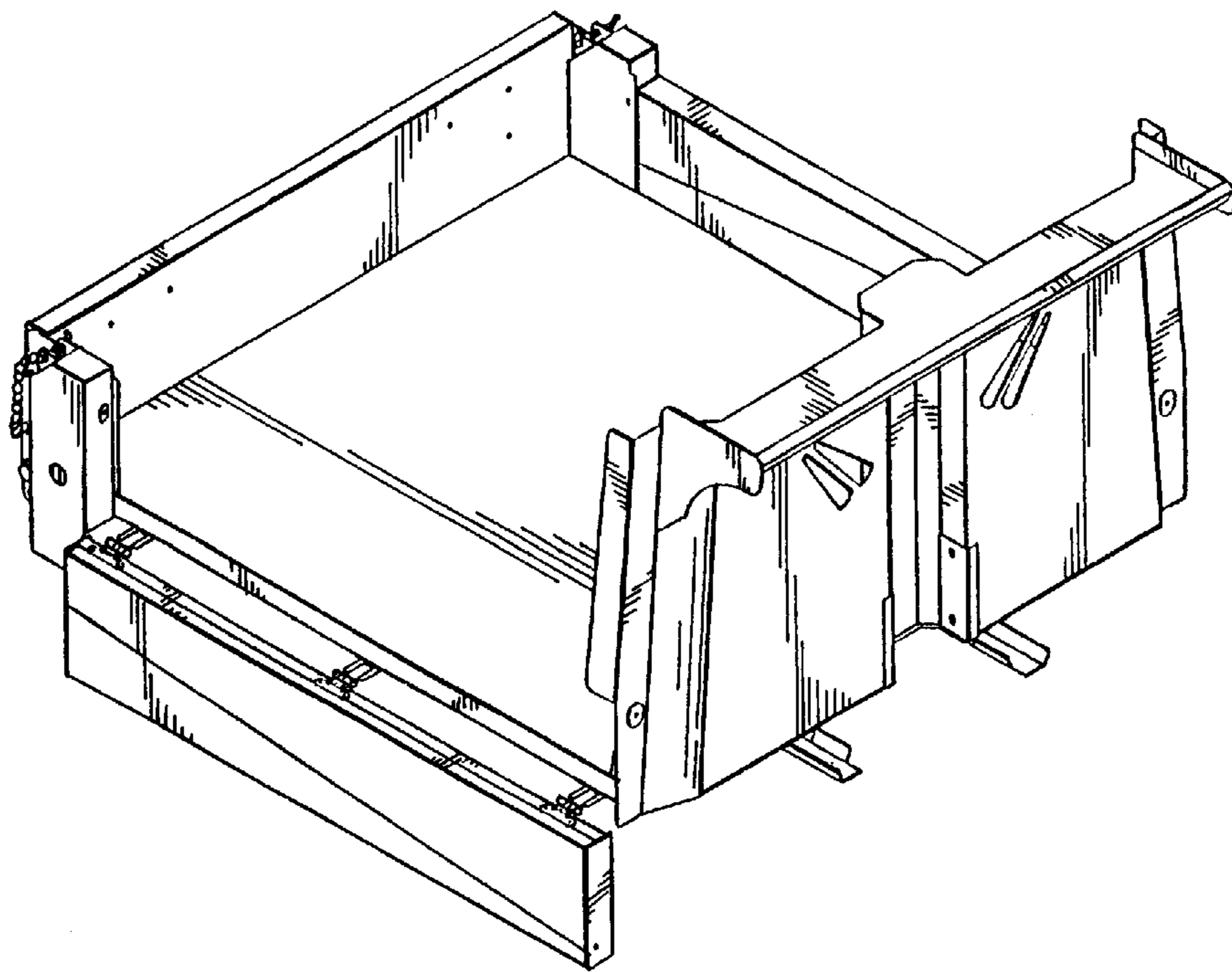


FIG. 8