



US00D459679S

(12) **United States Design Patent**  
**Patumraj**

(10) **Patent No.:** **US D459,679 S**

(45) **Date of Patent:** **\*\* Jul. 2, 2002**

- (54) **RING**
- (75) **Inventor:** **Kla Patumraj**, New York, NY (US)
- (73) **Assignee:** **Sandberg & Sikorski Diamond Corporation**, New York, NY (US)
- (\*\*) **Term:** **14 Years**
- (21) **Appl. No.:** **29/139,403**
- (22) **Filed:** **Mar. 29, 2001**
- (51) **LOC (7) Cl.** ..... **11-01**
- (52) **U.S. Cl.** ..... **D11/91**
- (58) **Field of Search** ..... **D11/1-43, 79,**  
D11/86, 89-92; 63/26-28, 29.1, 32, 12-15,  
3, 4

- D387,302 S \* 12/1997 Itzkowitz ..... D11/90
- D411,134 S \* 6/1999 Lai ..... D11/92
- D439,191 S \* 3/2001 Wolf ..... D11/26

\* cited by examiner

*Primary Examiner*—Louis S. Zarfaz

*Assistant Examiner*—Deanne Levy

(74) *Attorney, Agent, or Firm*—Gottlieb, Rackman & Reisman, P.C.

(57) **CLAIM**

The ornamental design for a ring, as shown and described.

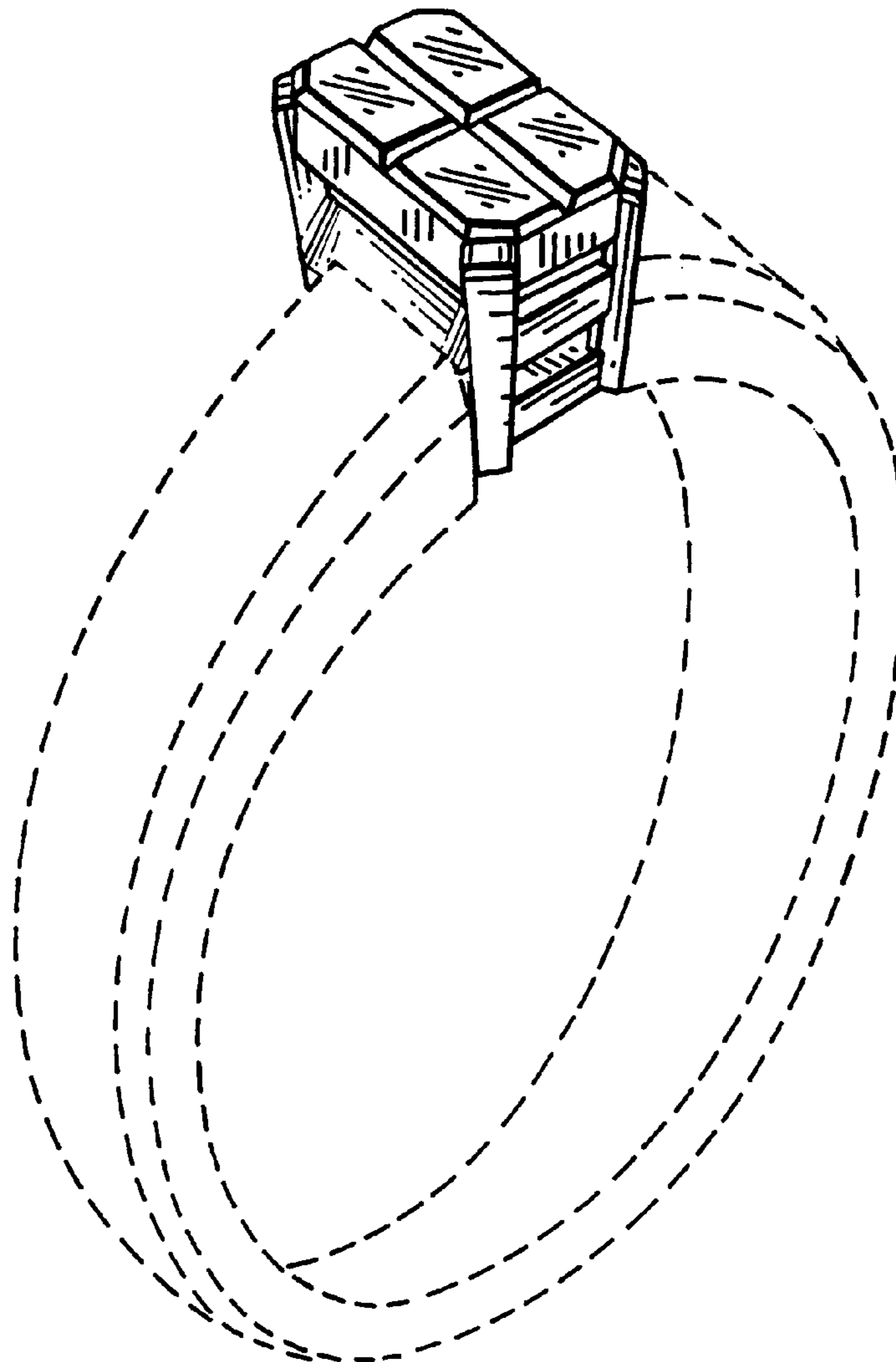
**DESCRIPTION**

FIG. 1 is a perspective view thereof;  
FIG. 2 is a top plan view thereof;  
FIG. 3 is a side elevational view thereof;  
FIG. 4 is a front elevational view thereof; and,  
FIG. 5 is a bottom plan view thereof.

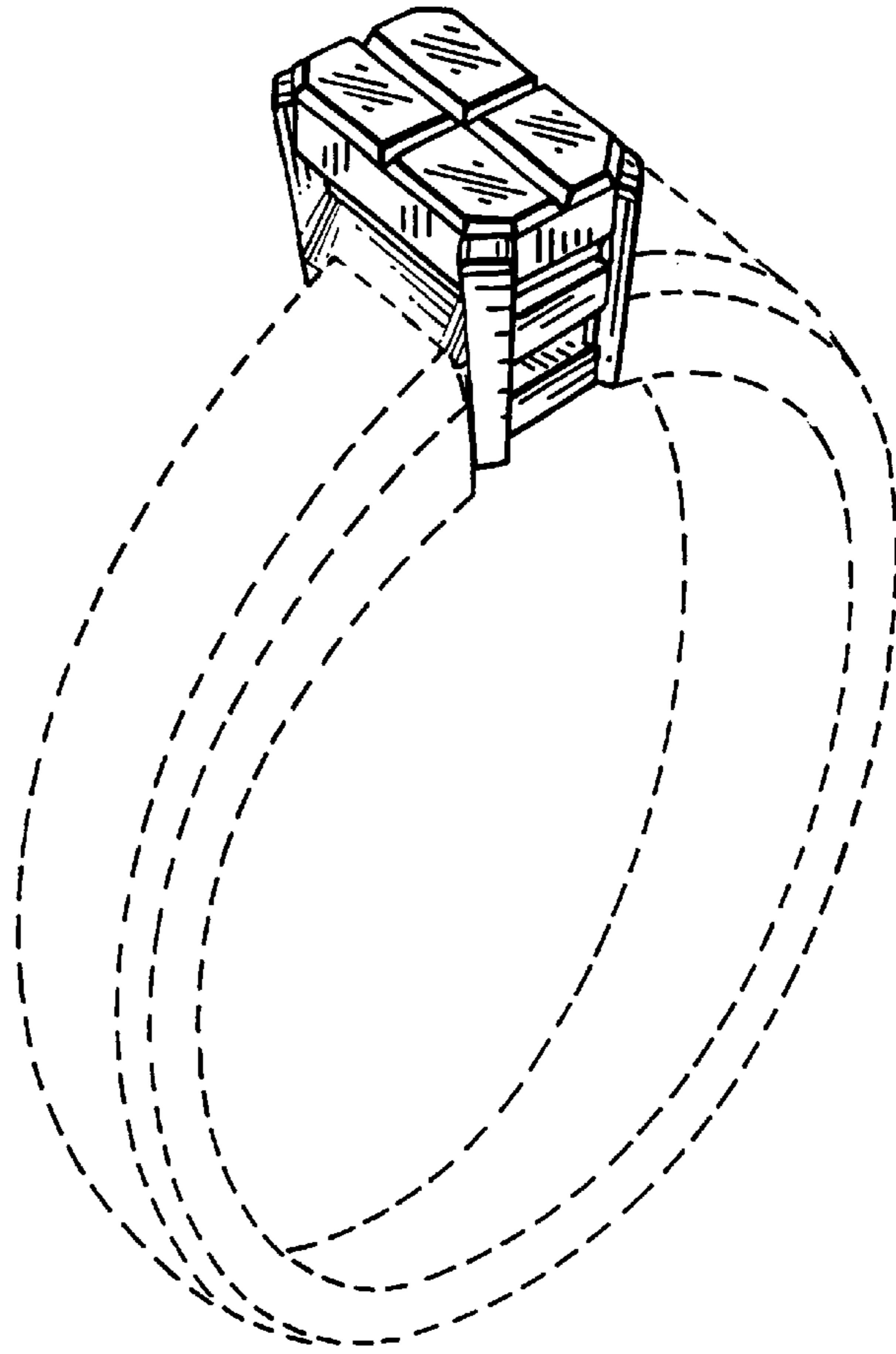
(56) **References Cited**  
U.S. PATENT DOCUMENTS

- 2,907,187 A \* 10/1959 Karp ..... 63/28

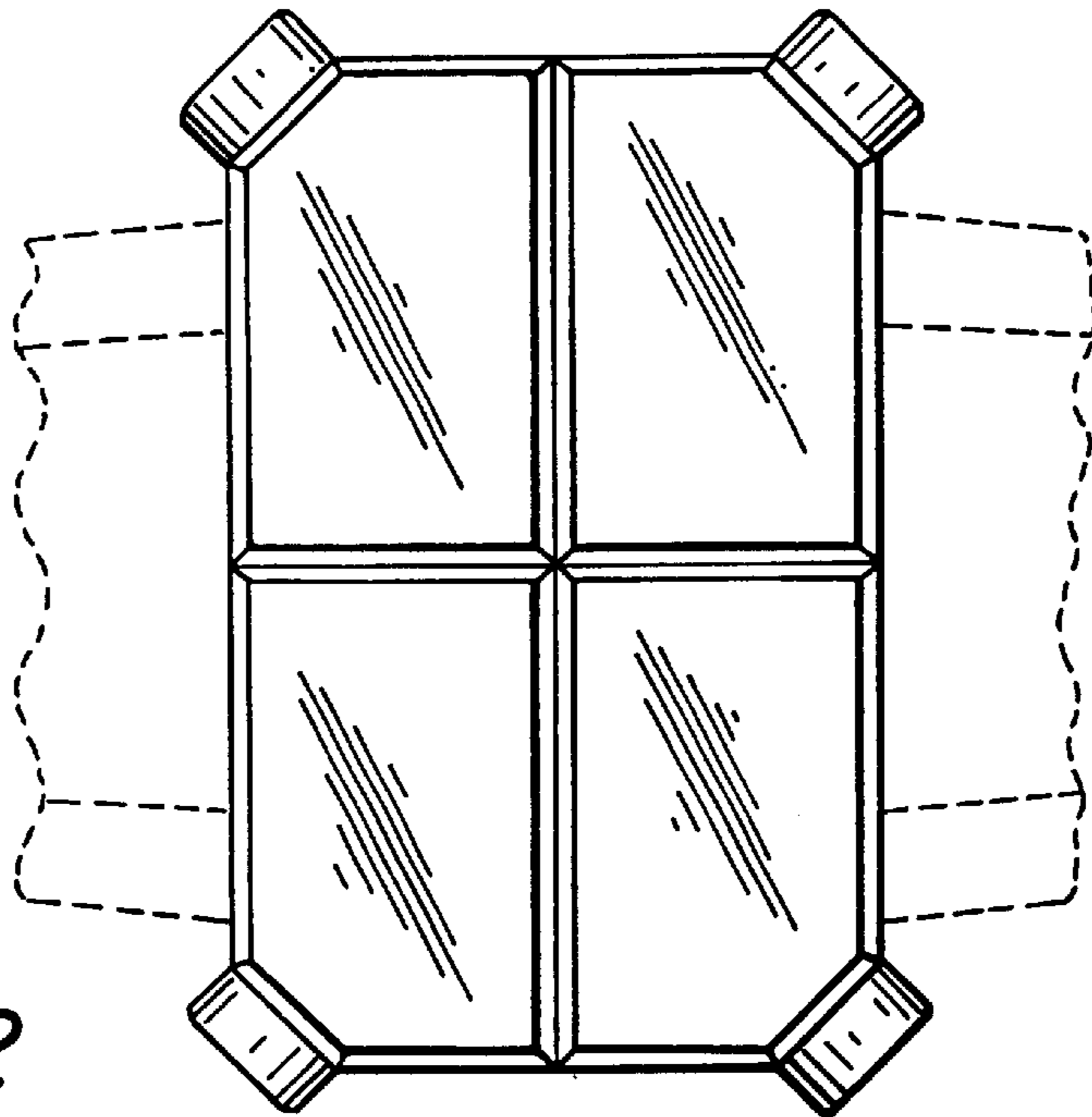
**1 Claim, 2 Drawing Sheets**



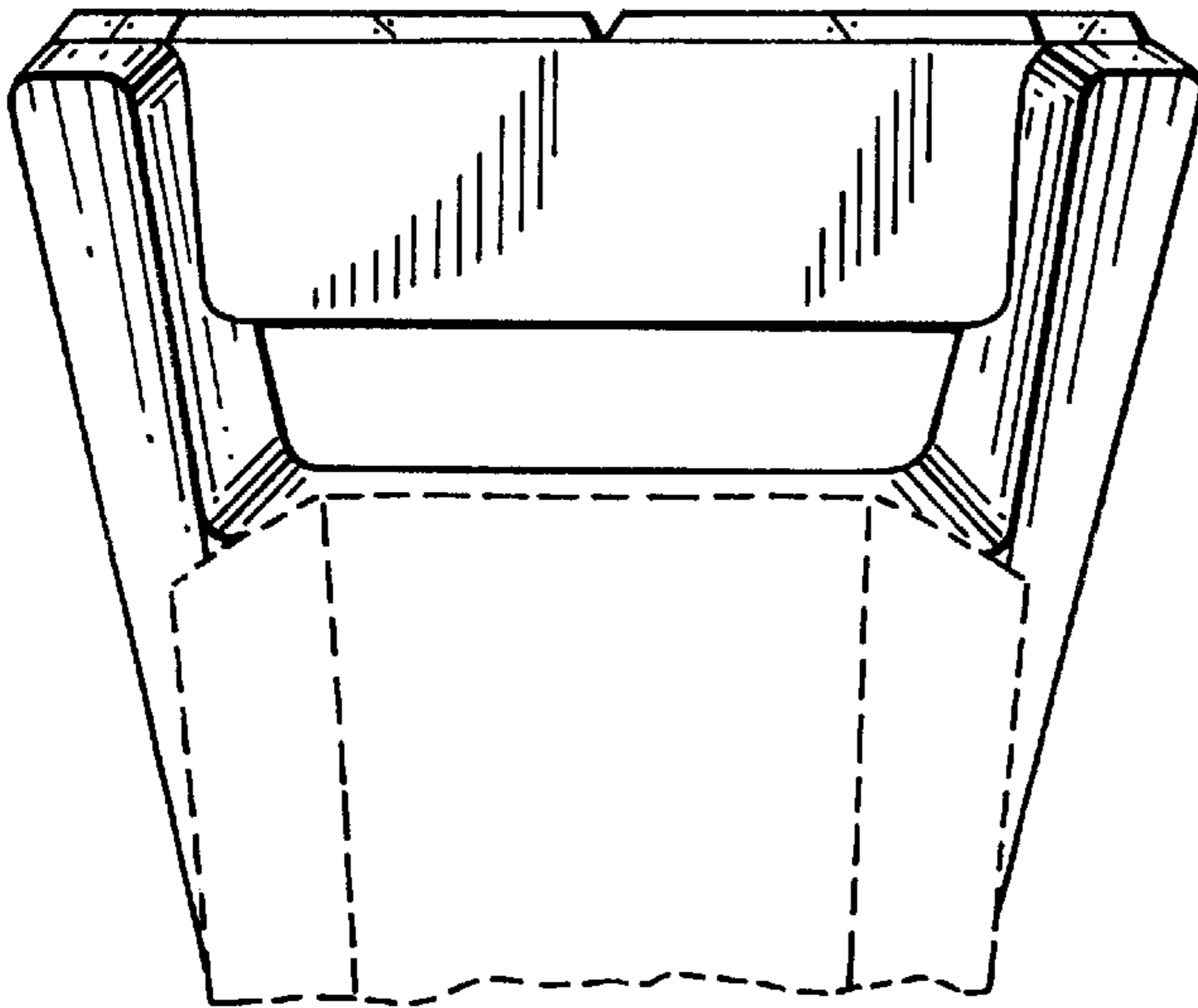
*FIG. 1*



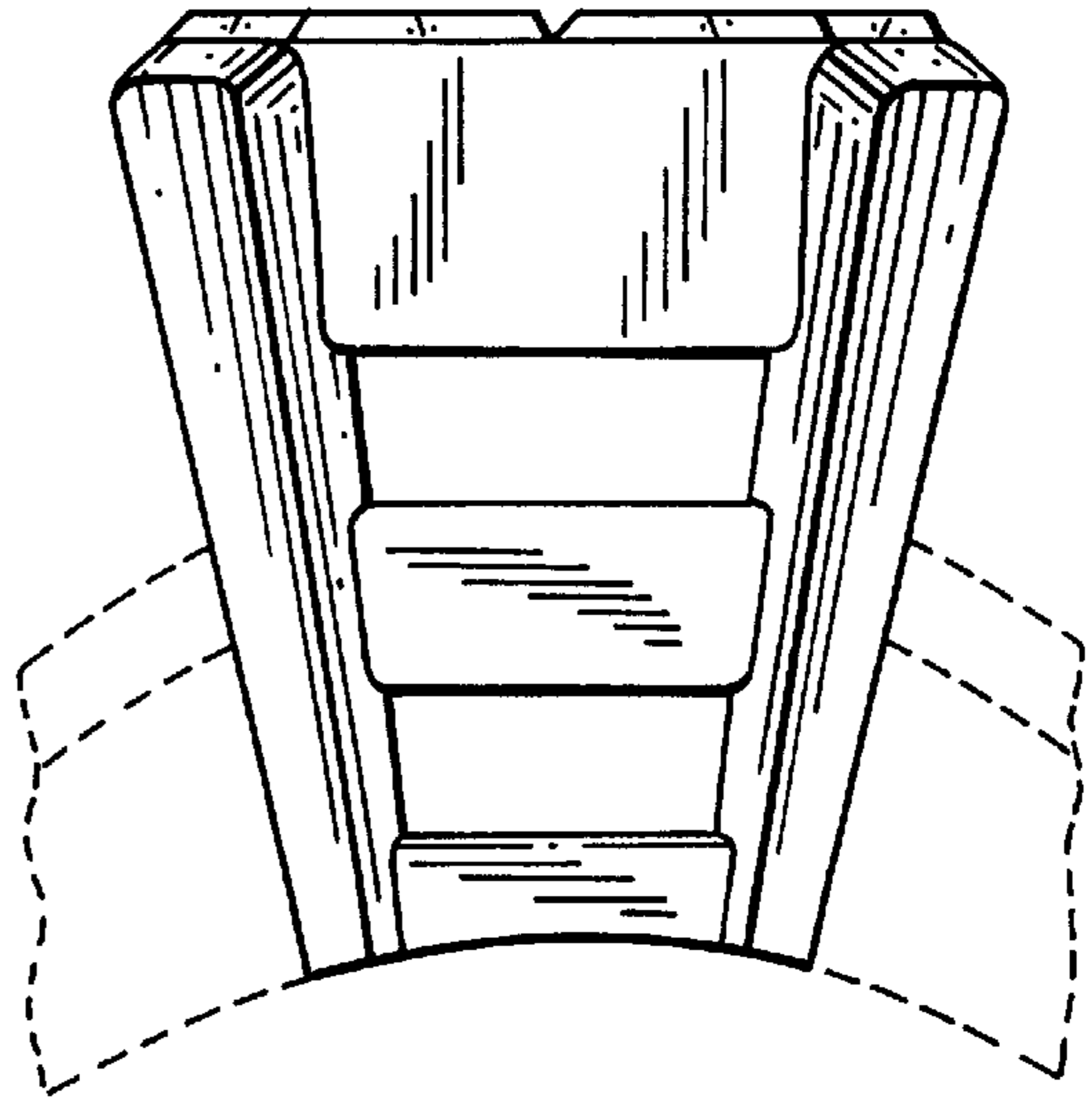
*FIG. 2*



*FIG. 3*



*FIG. 4*



*FIG. 5*

