



US00D459678S

(12) **United States Design Patent**
Steinberg

(10) **Patent No.:** **US D459,678 S**

(45) **Date of Patent:** **** Jul. 2, 2002**

(54) **PRECIOUS GEMSTONE SETTING**

(75) Inventor: **Daniel R. Steinberg**, 1141 Liberty Bell Dr., Cherry Hill, NJ (US) 08003

(73) Assignee: **Daniel R. Steinberg**, Caesarea (IL)

(**) Term: **14 Years**

(21) Appl. No.: **29/137,618**

(22) Filed: **Feb. 23, 2001**

(51) **LOC (7) Cl.** **11-01**

(52) **U.S. Cl.** **D11/91; D11/3**

(58) **Field of Search** **D11/1-4, 7, 8, D11/40-43, 91-94, 44, 45, 89-90; 63/3, 4, 7, 9, 26-28, 29.1, 32, 12-14; 59/80, 82**

(56) **References Cited**

U.S. PATENT DOCUMENTS

1,173,427	A *	2/1916	Heyman	59/80
1,276,607	A *	8/1918	Anderson	59/80
1,440,230	A *	12/1922	Mestekin	59/80
1,874,538	A *	8/1932	Johnson	63/4
6,212,869	B1 *	4/2001	Sadowsky	59/82

OTHER PUBLICATIONS

Service Merchandise Catalog 1996/1997 vol. 27 p. 67 item #37 and p. 101 item #29 bracelets.*

* cited by examiner

Primary Examiner—Louis S. Zarfaz

Assistant Examiner—Deanne Levy

(74) *Attorney, Agent, or Firm*—Stuart M. Goldstein

(57) **CLAIM**

The ornamental design for a precious gemstone setting, as shown and described.

DESCRIPTION

FIG. 1 is a perspective view of the precious gemstone setting of the present invention.

FIG. 2 is the elevation view of the precious gemstone setting of the present invention.

FIG. 3 is an end view of the precious gemstone setting of the present invention.

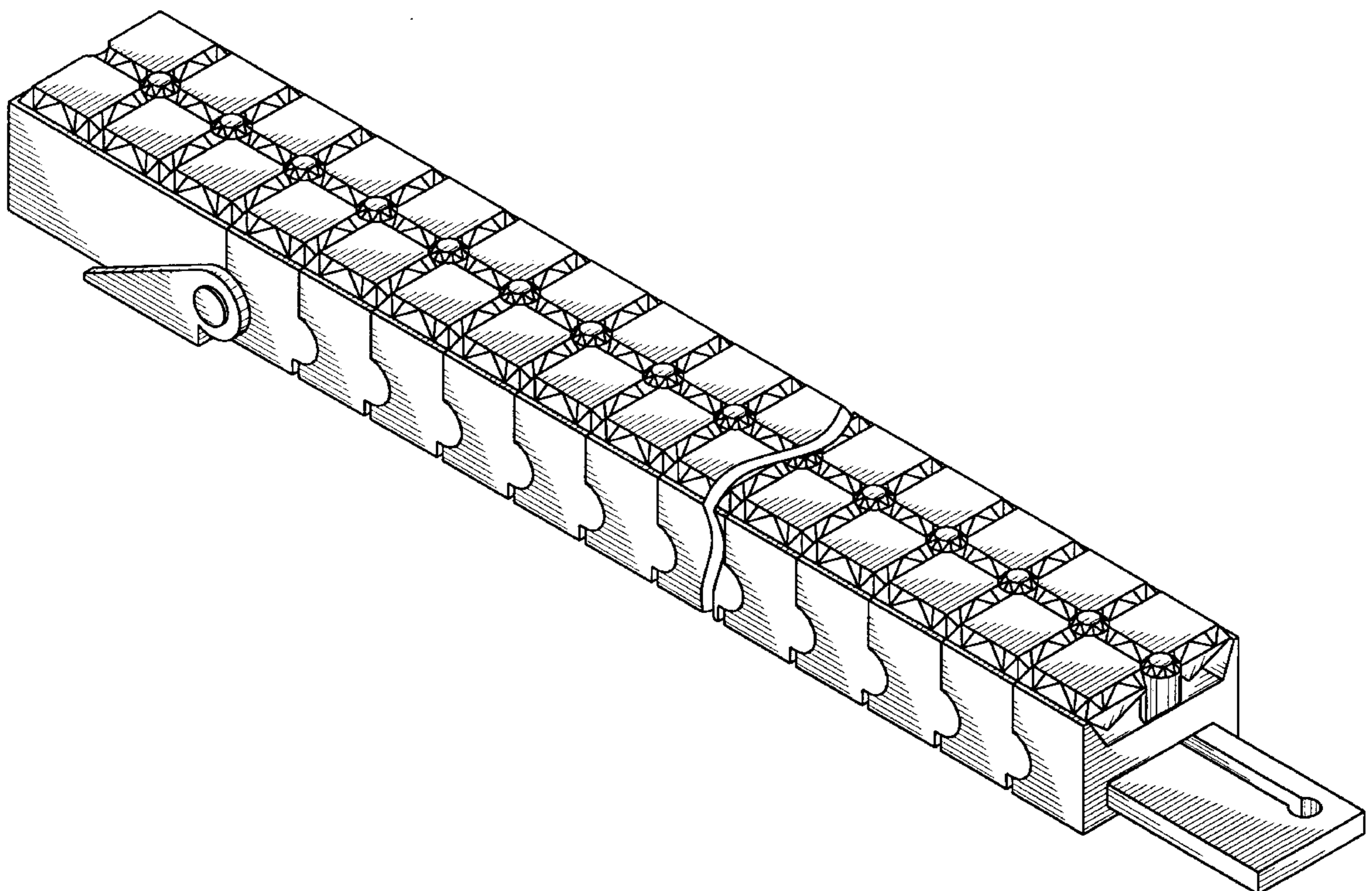
FIG. 4 is a second end view of the precious gemstone setting of the present invention.

FIG. 5 is a top view of the precious gemstone setting of the present invention; and,

FIG. 6 is a bottom view of the precious gemstone setting of the present invention.

FIGS. 1, 2, 5, and 6 are shown broken away to indicate indeterminate length, it being understood that the design is repeated uniformly as shown, throughout its length.

1 Claim, 3 Drawing Sheets



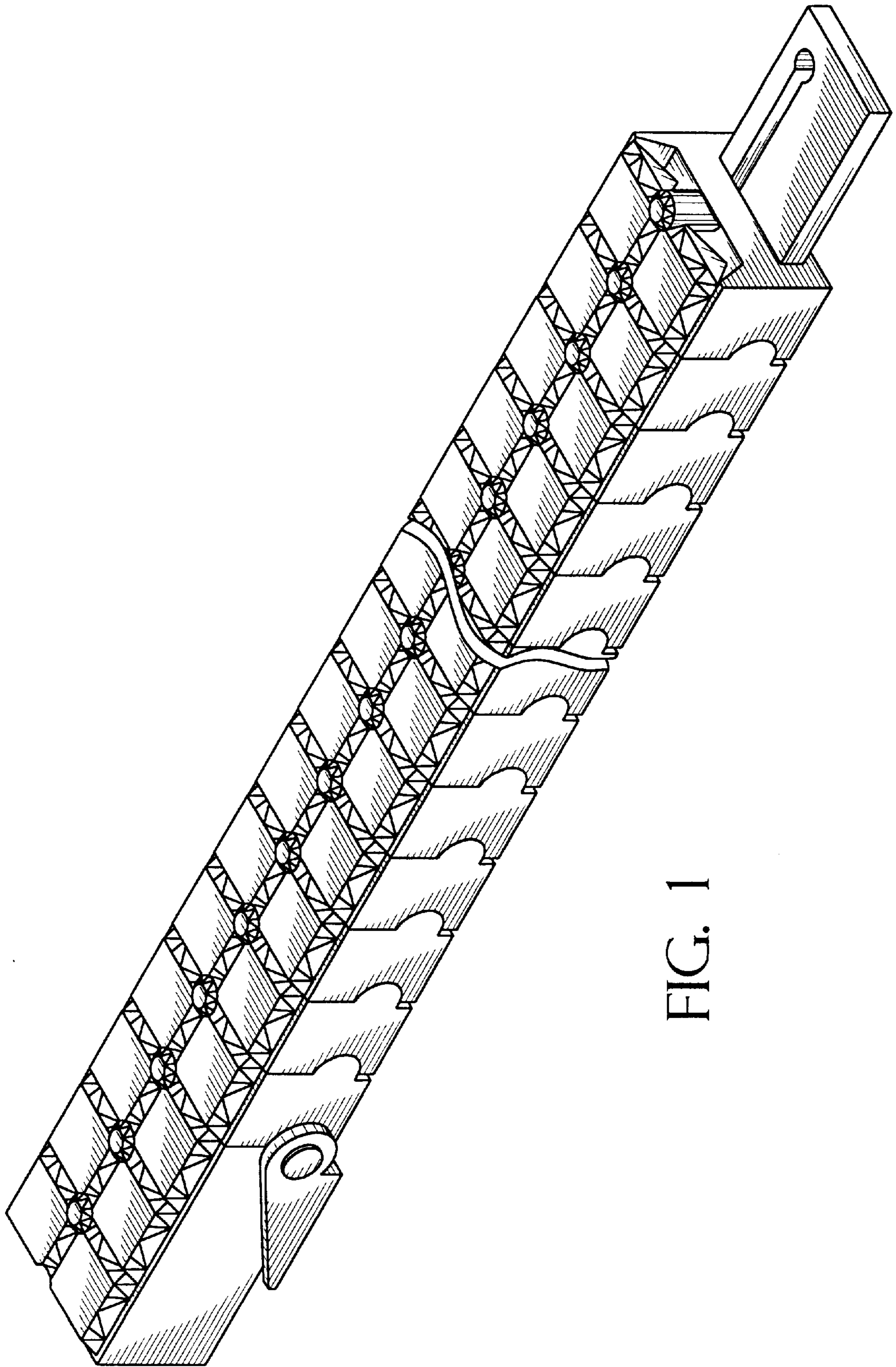


FIG. 1

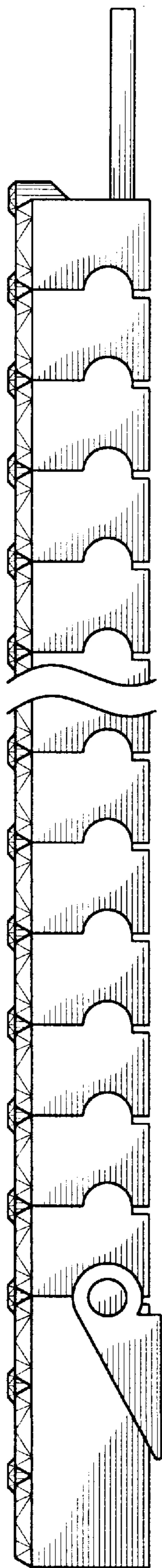


FIG. 2

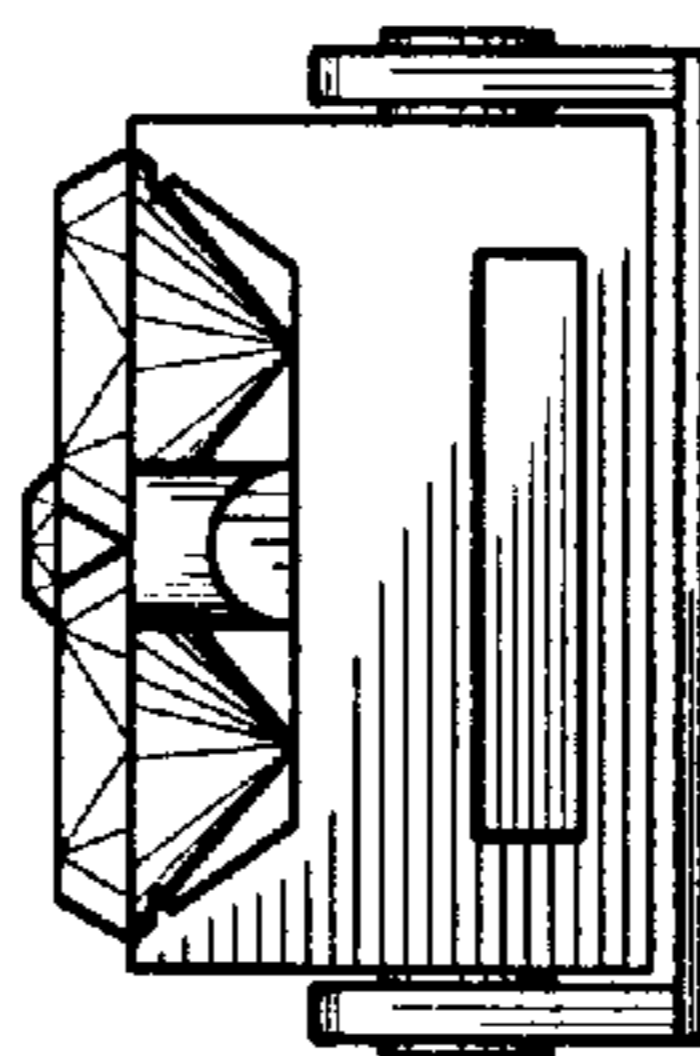


FIG. 3

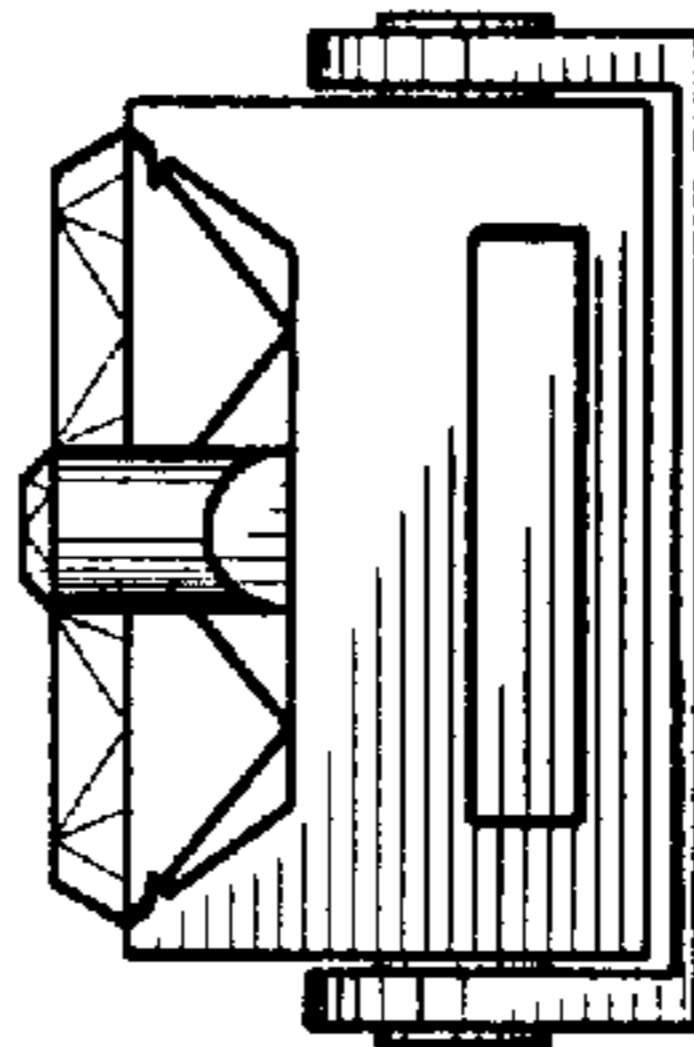


FIG. 4

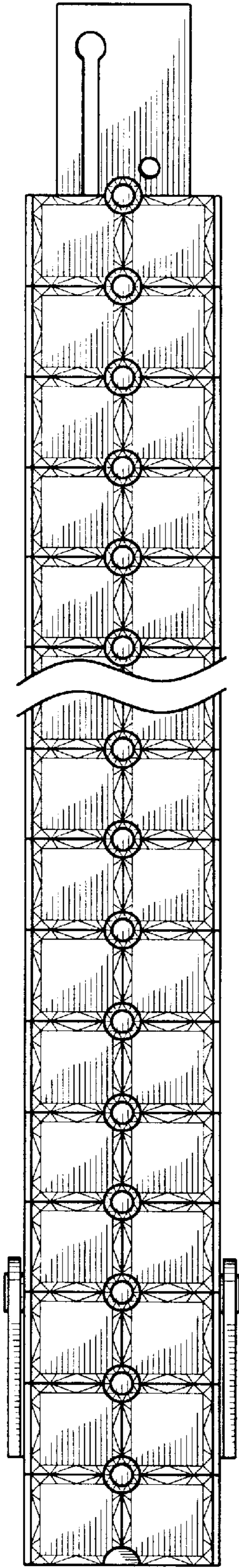


FIG. 5

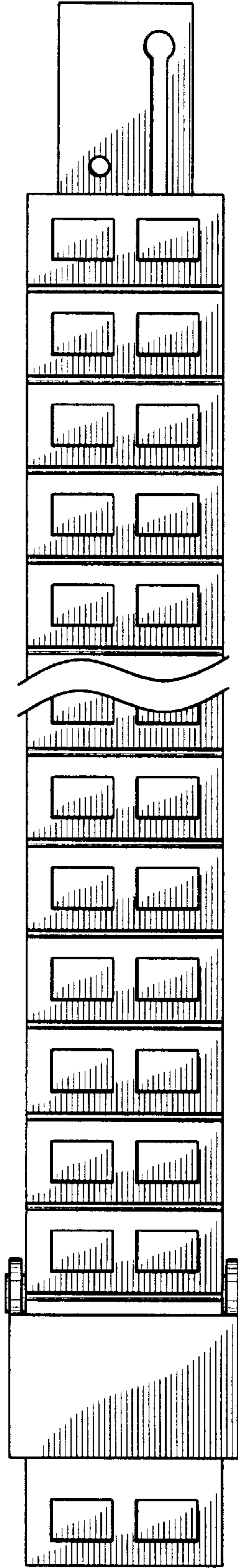


FIG. 6