



US00D459665S

(12) **United States Design Patent**  
**Helmer, Sr.**

(10) **Patent No.:** **US D459,665 S**

(45) **Date of Patent:** **\*\* Jul. 2, 2002**

(54) **MAGNETIC-BACKED TIMER WITH INDICATOR**

4,950,202 A \* 8/1990 Florio ..... 446/219  
D337,414 S \* 7/1993 Regan ..... D99/29  
D378,065 S \* 2/1997 Levy ..... D10/40

(76) **Inventor:** **James R. Helmer, Sr.**, 77 Church St.,  
Mohawk, NY (US) 13407

\* cited by examiner

(\*\*) **Term:** **14 Years**

*Primary Examiner*—Nelson C. Holtje

(21) **Appl. No.:** **29/151,054**

(57) **CLAIM**

(22) **Filed:** **Nov. 30, 2001**

The ornamental design for a magnetic-backed timer with indicator, as shown and described.

(51) **LOC (7) Cl.** ..... **10-03**

**DESCRIPTION**

(52) **U.S. Cl.** ..... **D10/40**

FIG. 1 is a front elevational view of a magnetic-backed timer with indicator showing my new design;  
FIG. 2 is a rear elevational view thereof;  
FIG. 3 is a side view, taken from the left side of FIG. 1;  
FIG. 4 is a side view, taken from the right side of FIG. 1;  
FIG. 5 is a top plan view thereof;  
FIG. 6 is a bottom plan view thereof; and,  
FIG. 7 is a front perspective view thereof with the indicator in an alternate position.

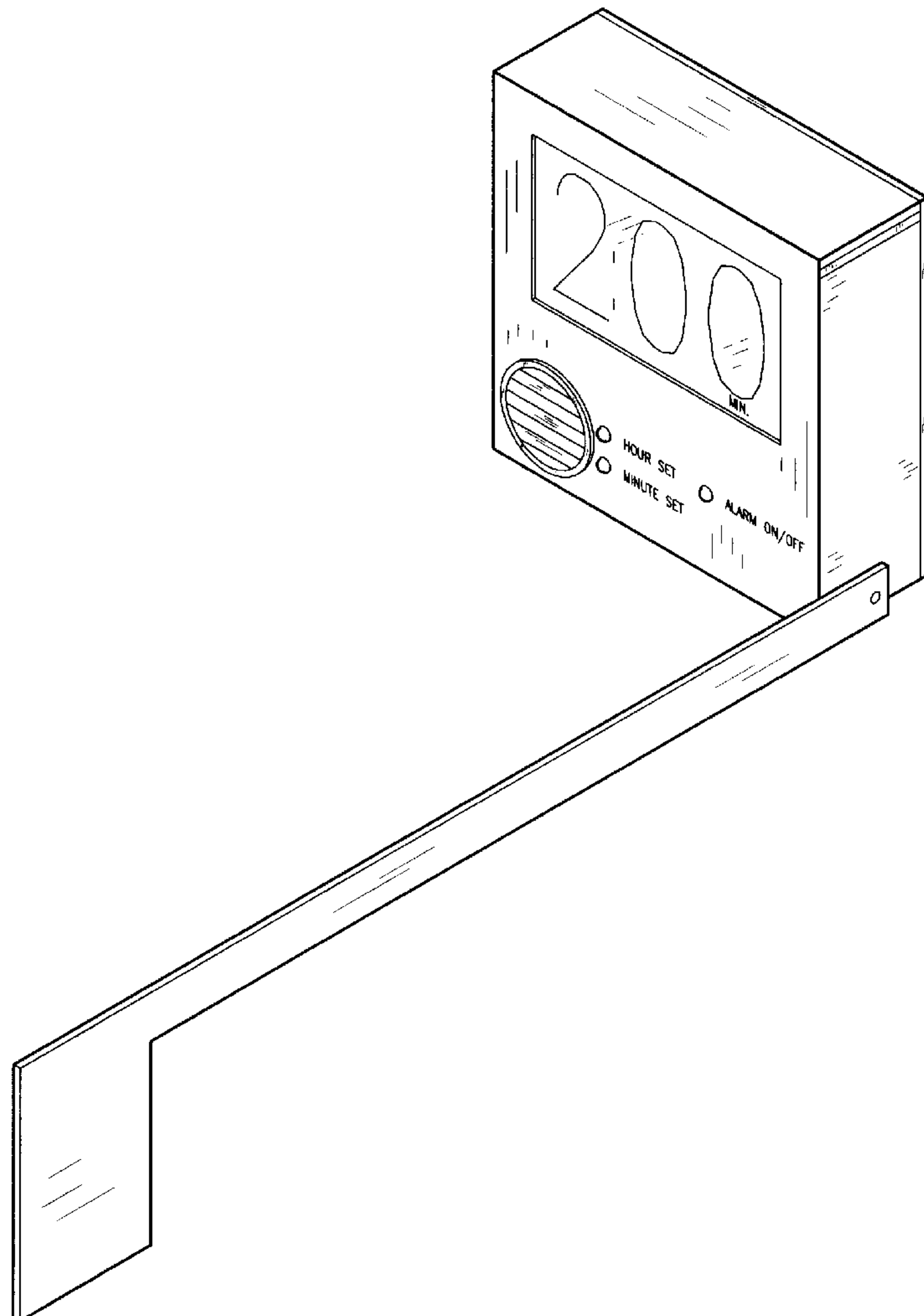
(58) **Field of Search** ..... D10/1-40, 122-132;  
368/96-100, 107-121, 276-277, 285, 316,  
317; D99/29

(56) **References Cited**

**U.S. PATENT DOCUMENTS**

D58,604 S \* 8/1921 Larocque ..... D10/40  
1,993,827 A \* 3/1935 Braun ..... D10/40 X  
D298,417 S \* 11/1988 Sund et al. .... D10/40

**1 Claim, 4 Drawing Sheets**



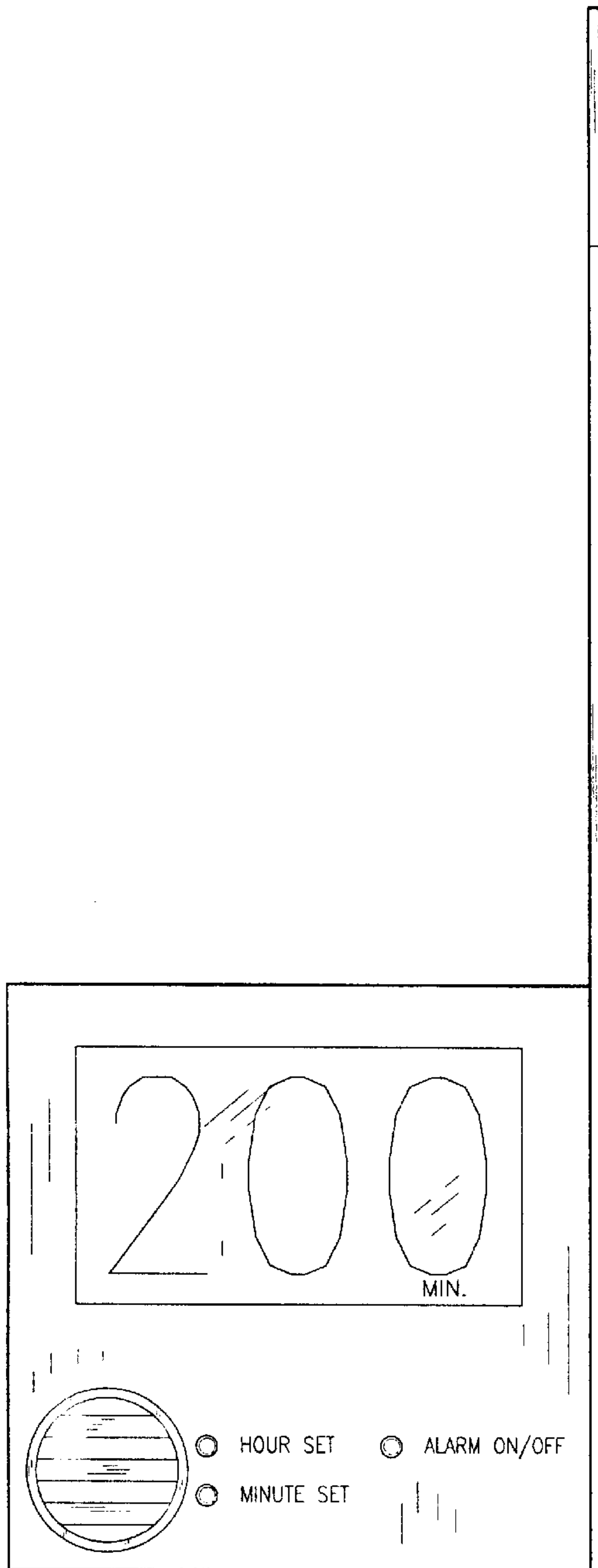


FIG. 1

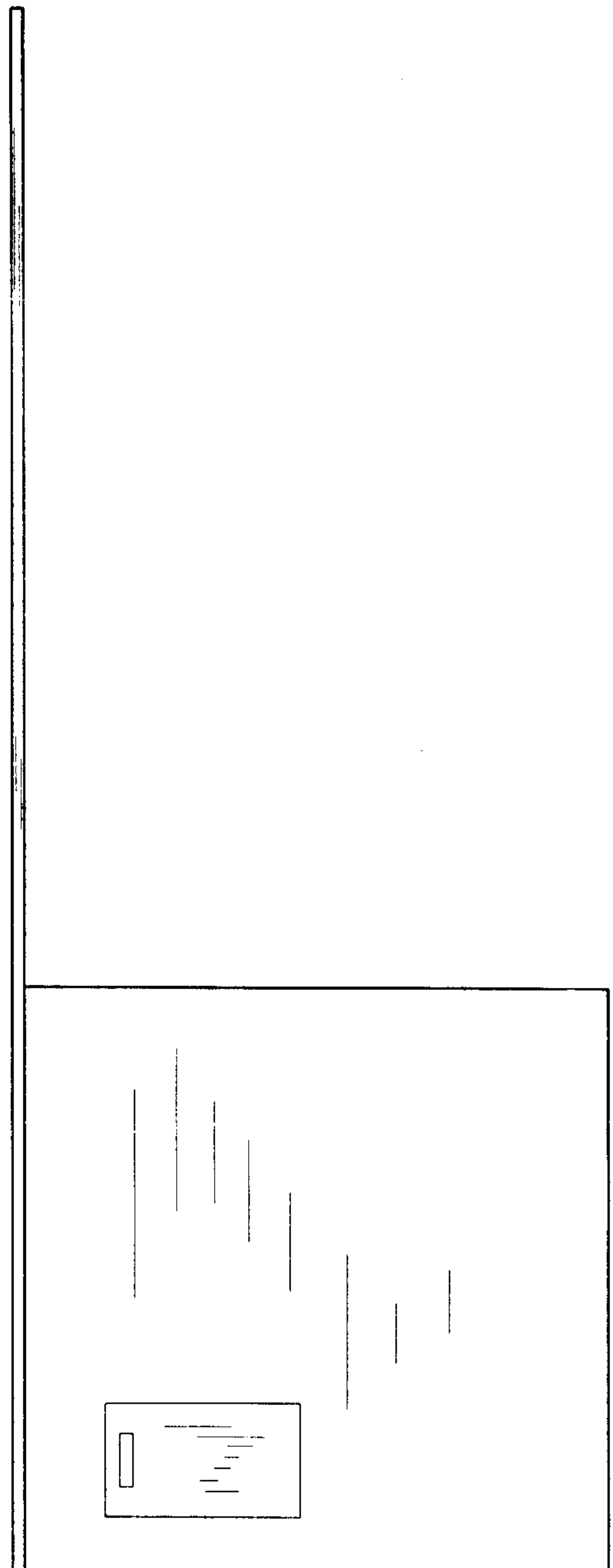


FIG. 2

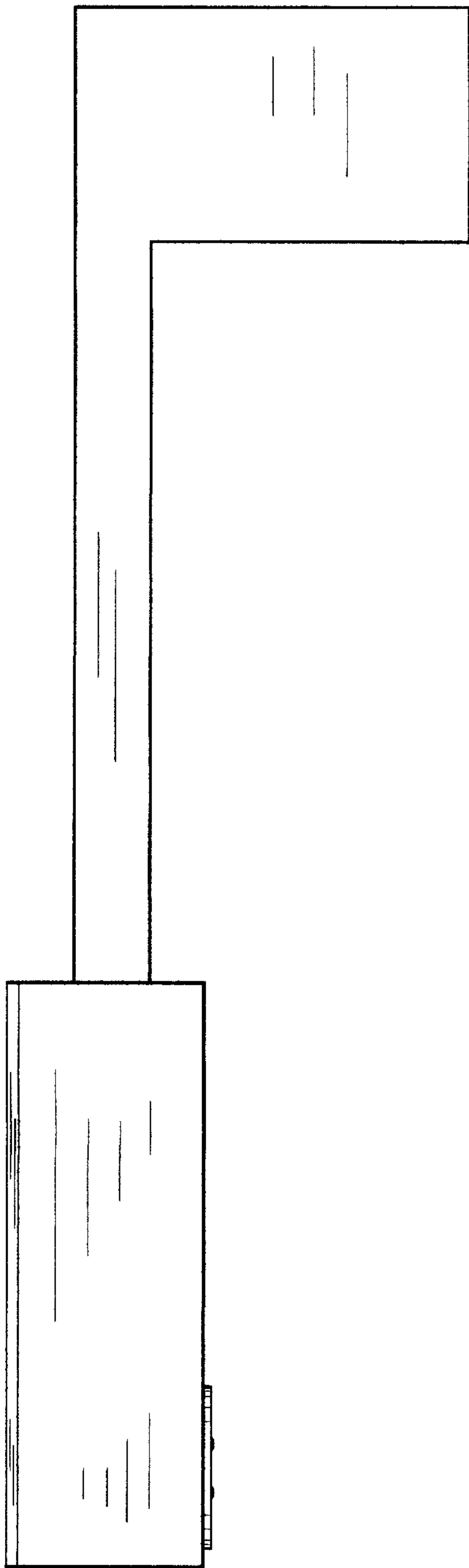


FIG. 3

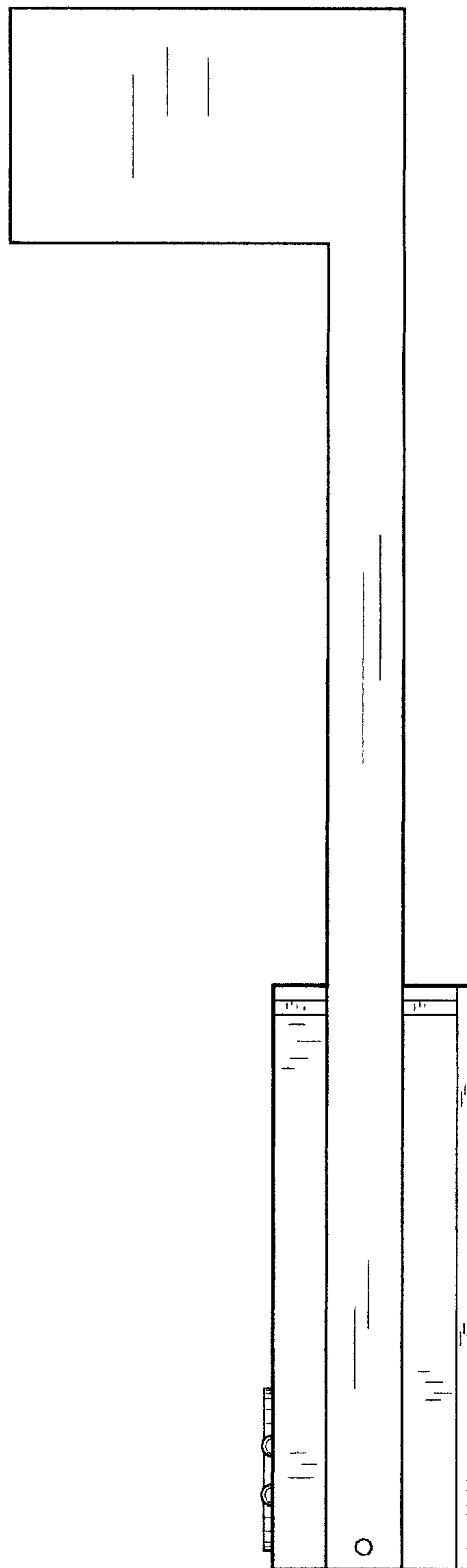


FIG. 4

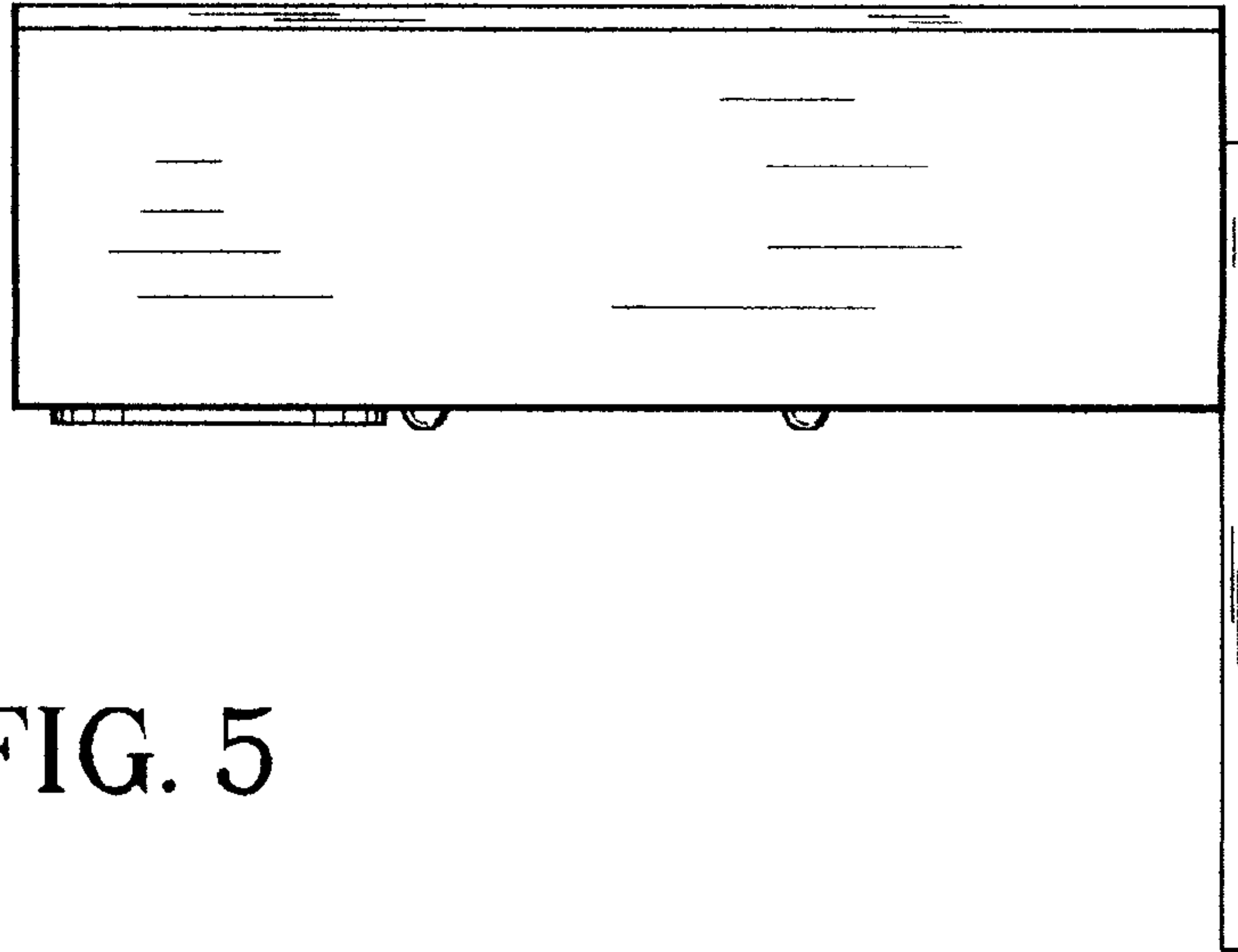


FIG. 5

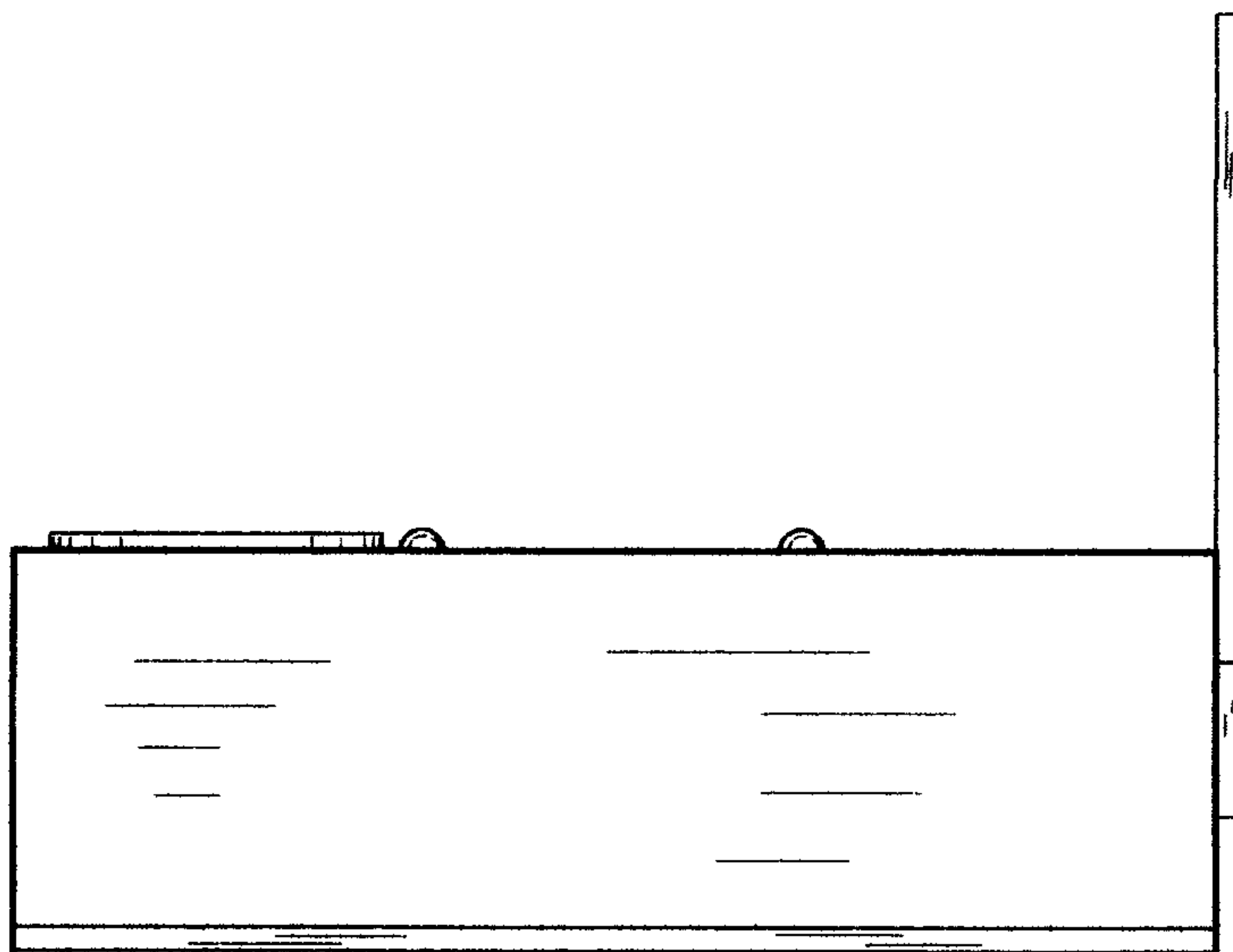


FIG. 6

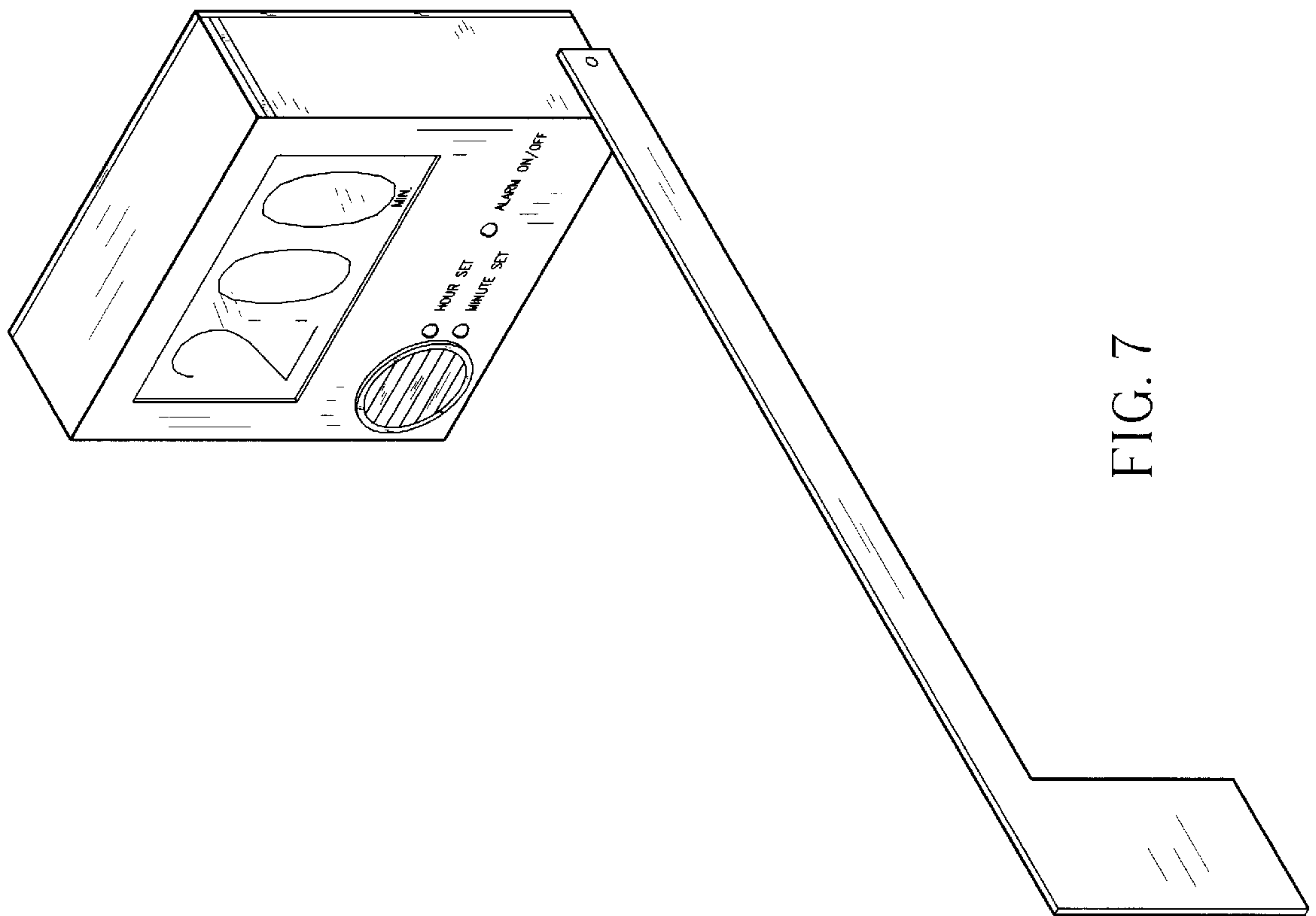


FIG. 7