



US00D459658S

(12) **United States Design Patent**  
**Darr et al.**

(10) **Patent No.:** **US D459,658 S**  
(45) **Date of Patent:** **\*\* Jul. 2, 2002**

(54) **BOTTLE BASE**

(75) Inventors: **Richard C. Darr**, Medina; **Marc A. Pedmo**, Litchfield; **James C. Dorn**, Norton, all of OH (US)

(73) Assignee: **Plastipak Packaging, Inc.**, Plymouth, MI (US)

(\*\*) Term: **14 Years**

(21) Appl. No.: **29/147,765**

(22) Filed: **Sep. 5, 2001**

**Related U.S. Application Data**

(60) Division of application No. 29/136,242, filed on Jan. 26, 2001, which is a continuation-in-part of application No. 29/132,965, filed on Nov. 16, 2000.

(51) **LOC (7) Cl.** ..... **09-01**

(52) **U.S. Cl.** ..... **D9/520; D9/500**

(58) **Field of Search** ..... D9/434, 500, 502-505, D9/516, 520, 545, 549, 550, 557, 574; 215/381-384, 396, 398, 370-371, 375-376, 378-379; 220/661, 671-672, 675, 770-772, 906

(56) **References Cited**

**U.S. PATENT DOCUMENTS**

2,988,258 A \* 6/1961 Witzke ..... D7/523  
3,372,826 A \* 3/1968 Heaton ..... 215/372  
3,403,804 A \* 10/1968 Colombo ..... D9/500

4,134,510 A \* 1/1979 Chang ..... 215/373  
4,241,839 A \* 12/1980 Alberghini ..... 215/376  
4,525,401 A \* 6/1985 Pockock et al. .... 428/66.3  
4,892,205 A \* 1/1990 Powers et al. .... 215/375  
4,955,491 A \* 9/1990 Marshall et al. .... 215/12.1  
D345,693 S \* 4/1994 Edstrom ..... D9/538 X  
5,503,283 A \* 4/1996 Semersky ..... 215/375  
5,648,133 A \* 7/1997 Suzuki et al. .... 215/370 X  
D391,167 S \* 2/1998 Beshara, Jr. .... D9/531  
5,727,710 A \* 3/1998 Severus et al. .... 220/906 X  
D418,058 S \* 12/1999 Chatterton et al. .... D9/434  
6,136,354 A \* 10/2000 Wood et al. .... 215/371 X

\* cited by examiner

*Primary Examiner*—Ted Shooman

*Assistant Examiner*—Carol Rademaker

(74) *Attorney, Agent, or Firm*—Bachman & LaPointe, P.C.

(57) **CLAIM**

The ornamental design for a bottle base, as shown and described.

**DESCRIPTION**

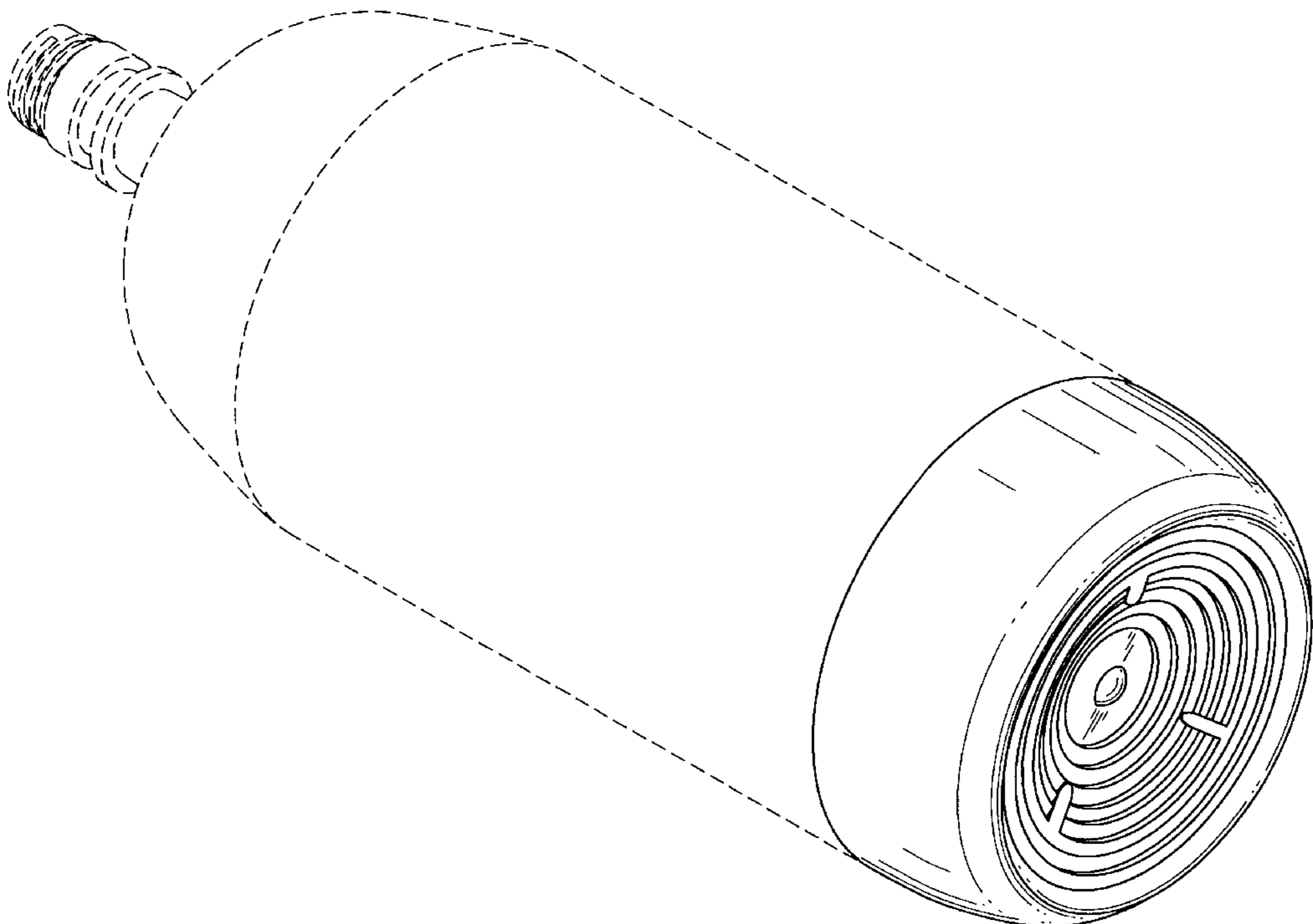
FIG. 1 is a perspective view of the bottle base of the present invention with portions shown in phantom;

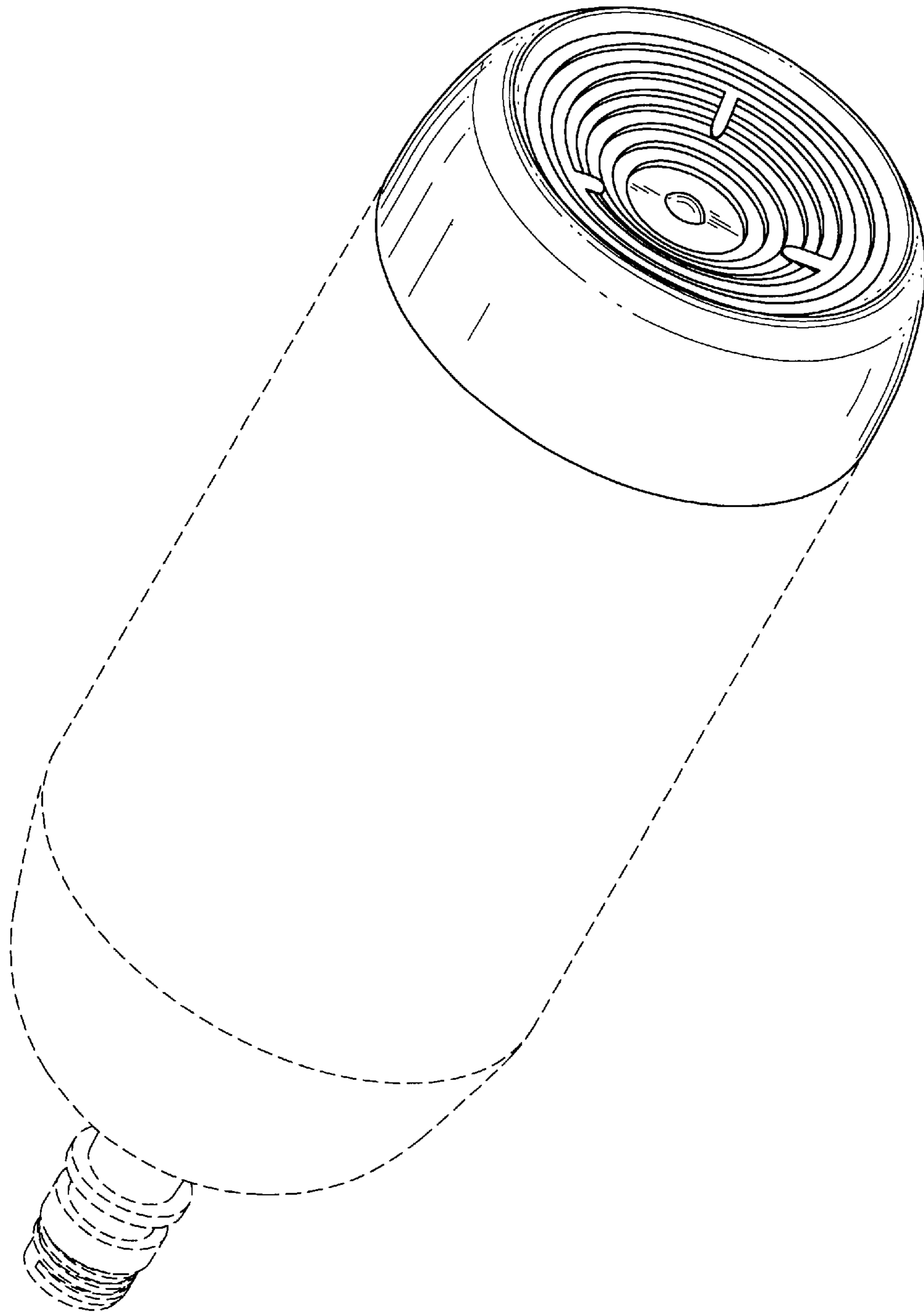
FIG. 2 is a side view of the bottle base of FIG. 1 with portions shown in phantom;

FIG. 3 is a bottom view of the bottle base of FIG. 1; and, FIG. 4 is a top view of the bottle base of FIG. 1.

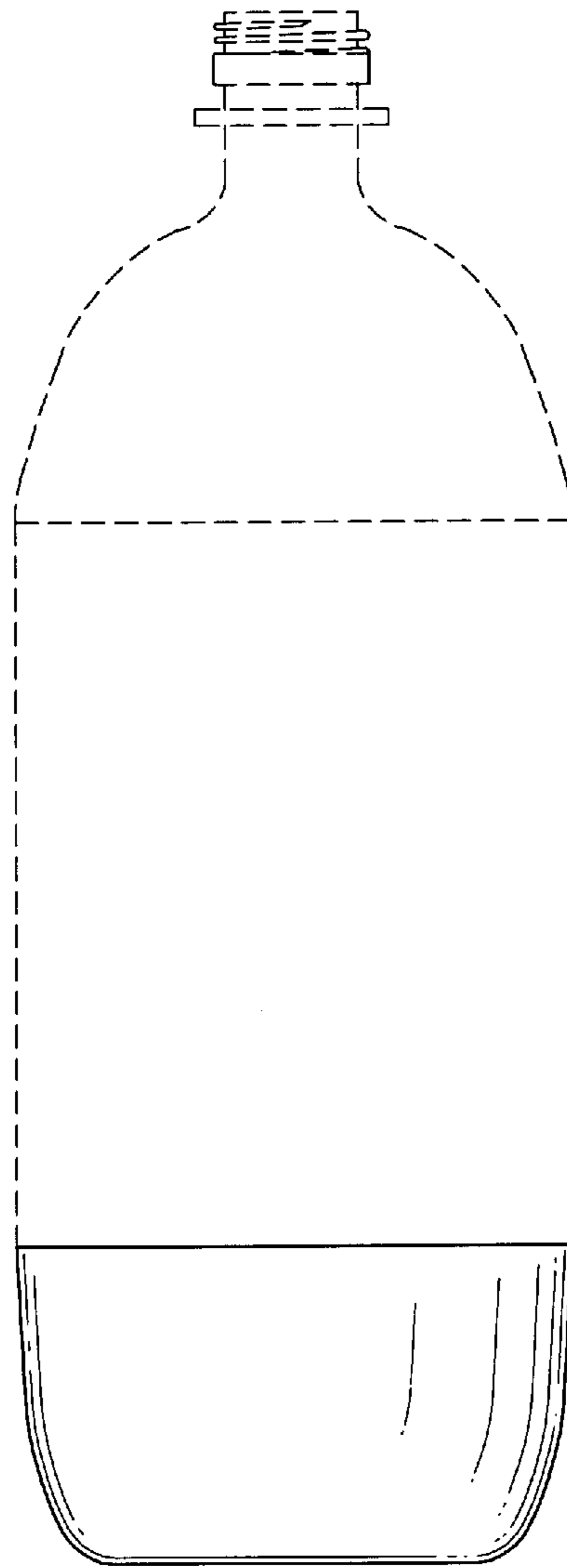
The phantom lines shown in FIGS. 1 & 2 are for illustrative purposes only and form no part of the claimed design.

**1 Claim, 2 Drawing Sheets**

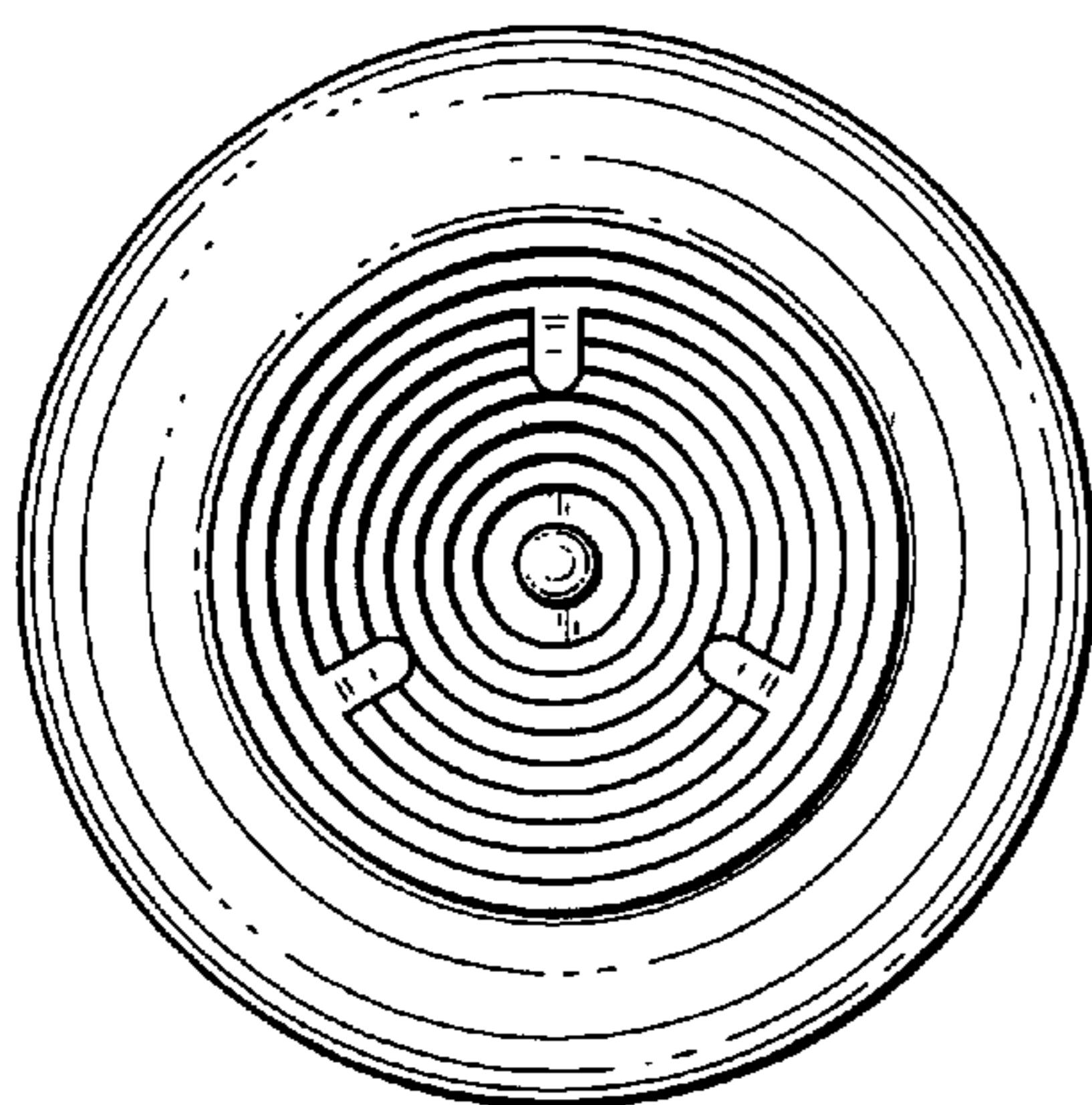




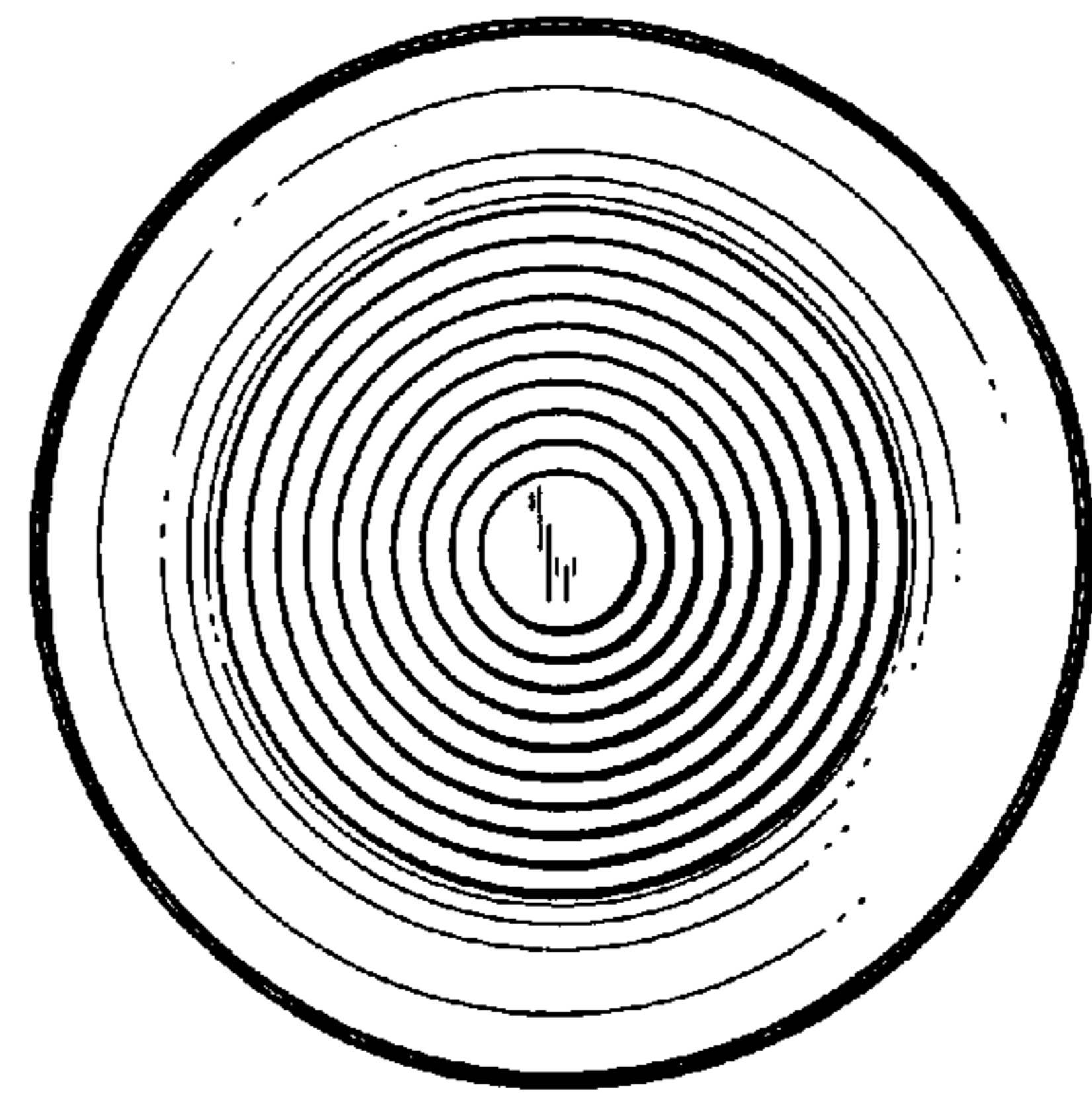
*FIG. 1*



*FIG. 2*



*FIG. 3*



*FIG. 4*