



US00D459654S

(12) **United States Design Patent**  
**Kuo**

(10) **Patent No.:** **US D459,654 S**

(45) **Date of Patent:** **\*\* Jul. 2, 2002**

(54) **DISPENSER HEAD**

D445,686 S \* 7/2001 Danielo ..... D9/448

(76) Inventor: **Roy Kuo**, 3F No. 288 Chin Chow St.,  
Taipei (TW)

\* cited by examiner

(\*\*) Term: **14 Years**

*Primary Examiner*—Dominic Simone  
(74) *Attorney, Agent, or Firm*—Pro-Techtor International  
Services

(21) Appl. No.: **29/147,568**

(57) **CLAIM**

(22) Filed: **Sep. 1, 2001**

The ornamental design for the dispenser head, as shown and  
described.

(51) **LOC (7) Cl.** ..... **09-07**

(52) **U.S. Cl.** ..... **D9/448**

(58) **Field of Search** ..... D9/300, 447, 448;  
222/383.1, 384, 153.13, 321.9

**DESCRIPTION**

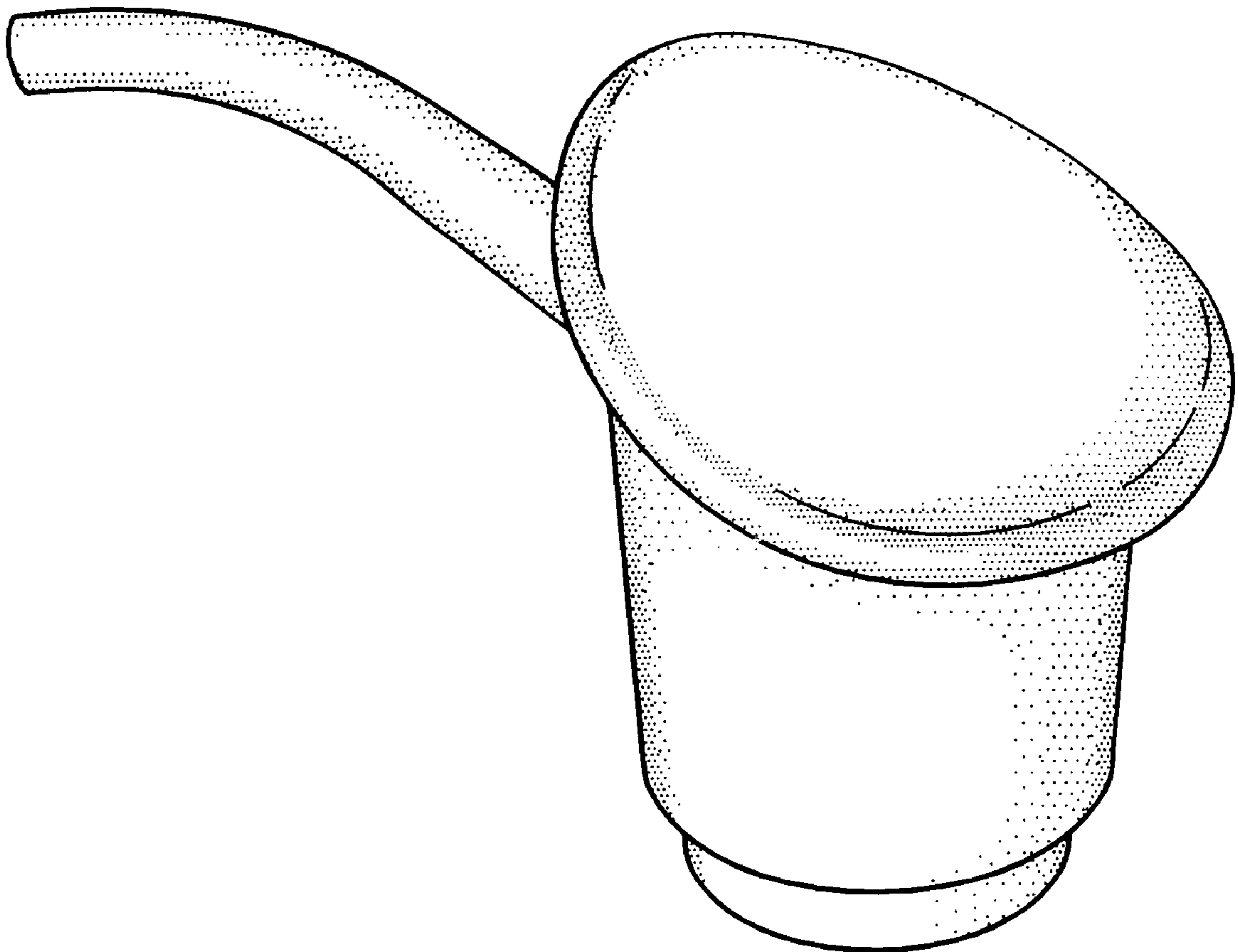
(56) **References Cited**

**U.S. PATENT DOCUMENTS**

D193,037 S	*	6/1962	Harnage	.....	D9/448
3,263,869 A	*	8/1966	Corsette	.....	222/384 X
D217,718 S	*	6/1970	Magers	.....	D9/448
D275,933 S	*	10/1984	Topor et al.	.....	D9/300
D349,649 S	*	8/1994	Hanna	.....	D9/448
5,549,223 A	*	8/1996	Hori	.....	222/153.13
D397,937 S	*	9/1998	Wadsworth	.....	D9/448
D418,418 S	*	1/2000	Wadsworth	.....	D9/448
6,230,942 B1	*	5/2001	Kuo	.....	222/321.9

FIG. 1 is a perspective view of the appearance of my new  
design;  
FIG. 2 is a front view thereof;  
FIG. 3 is a rear view thereof;  
FIG. 4 is a left side view thereof;  
FIG. 5 is a right side view thereof;  
FIG. 6 is a top view thereof;  
FIG. 7 is a bottom view thereof; and,  
FIG. 8 is a perspective view thereof, the container shown in  
broken lines for environmental purposes only and forms no  
part of the claimed design.

**1 Claim, 5 Drawing Sheets**



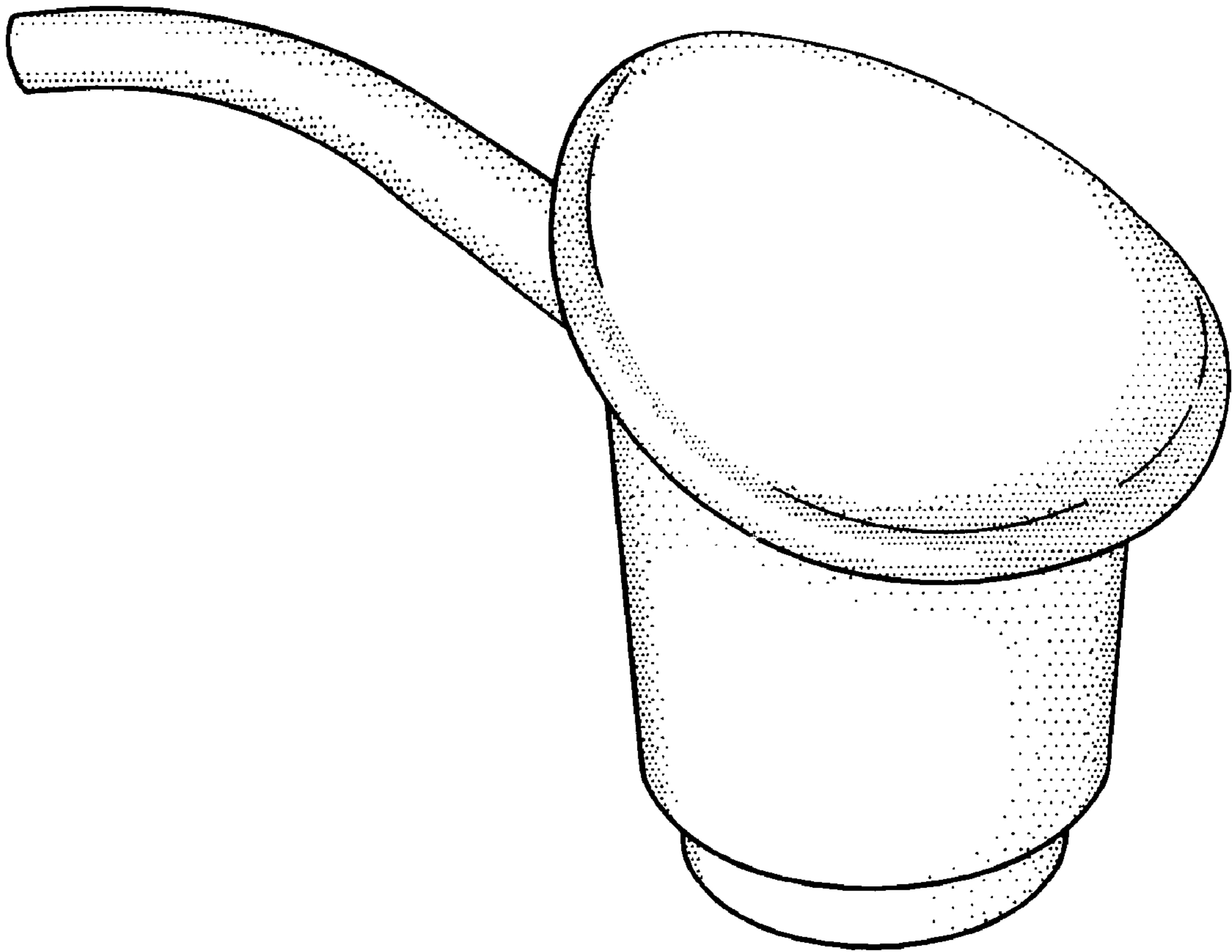


FIG. 1

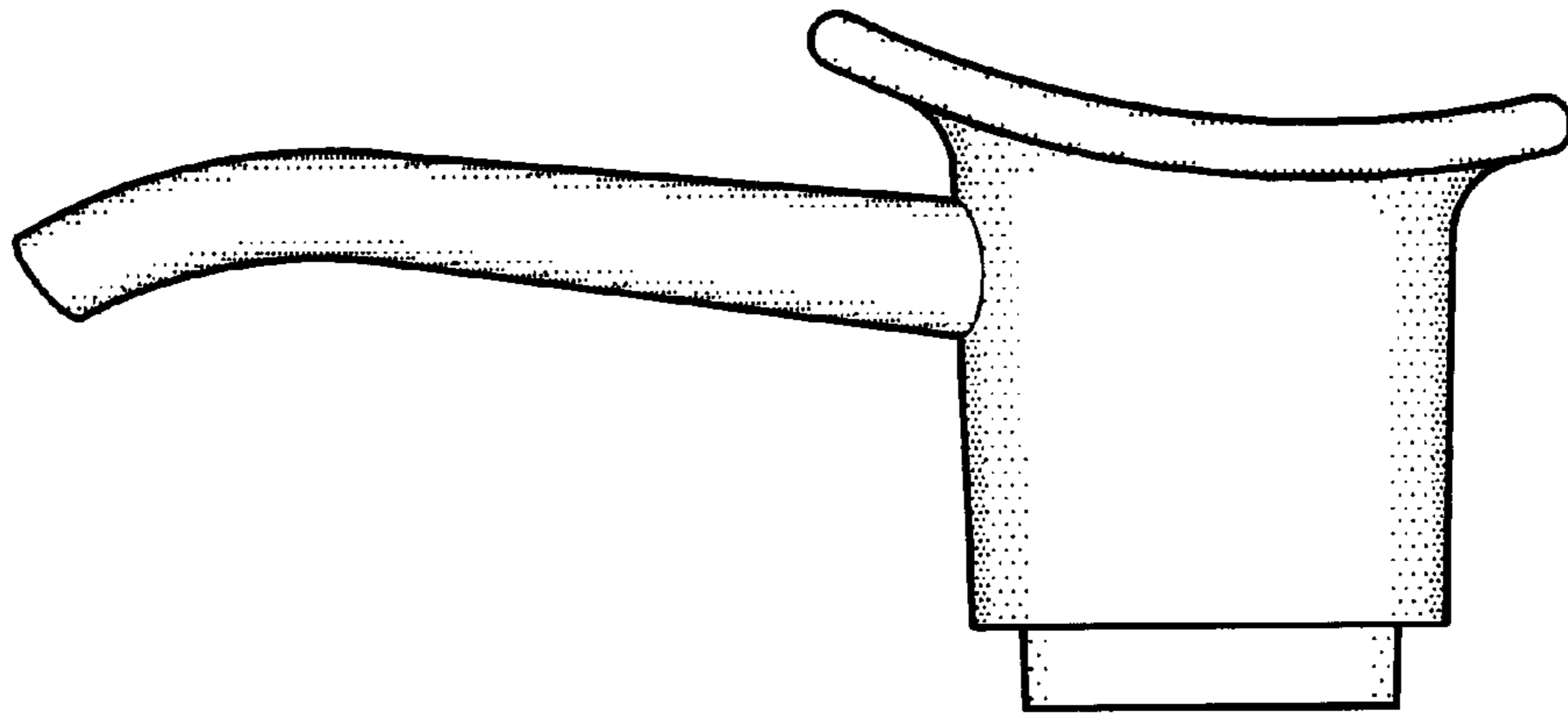


FIG. 2

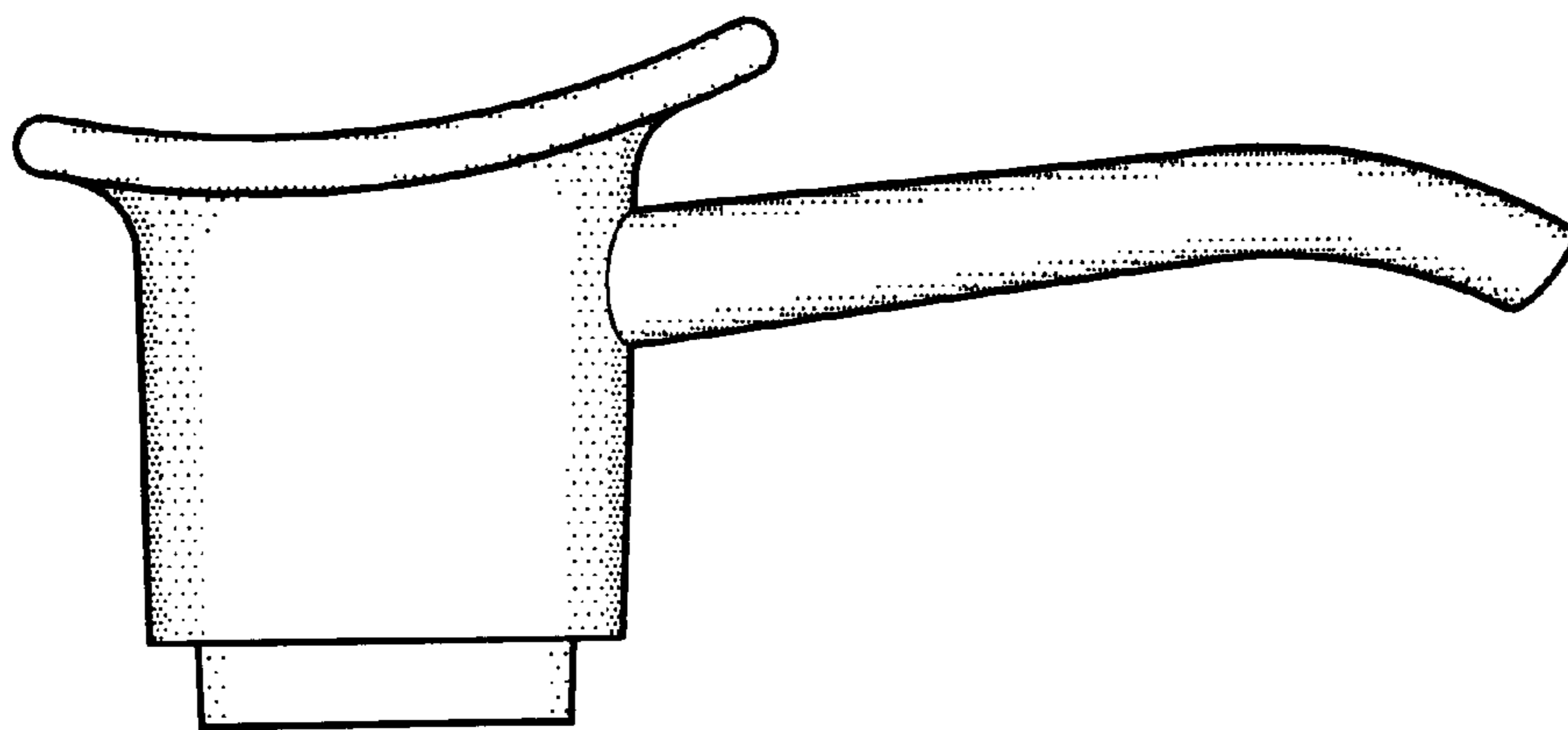


FIG. 3

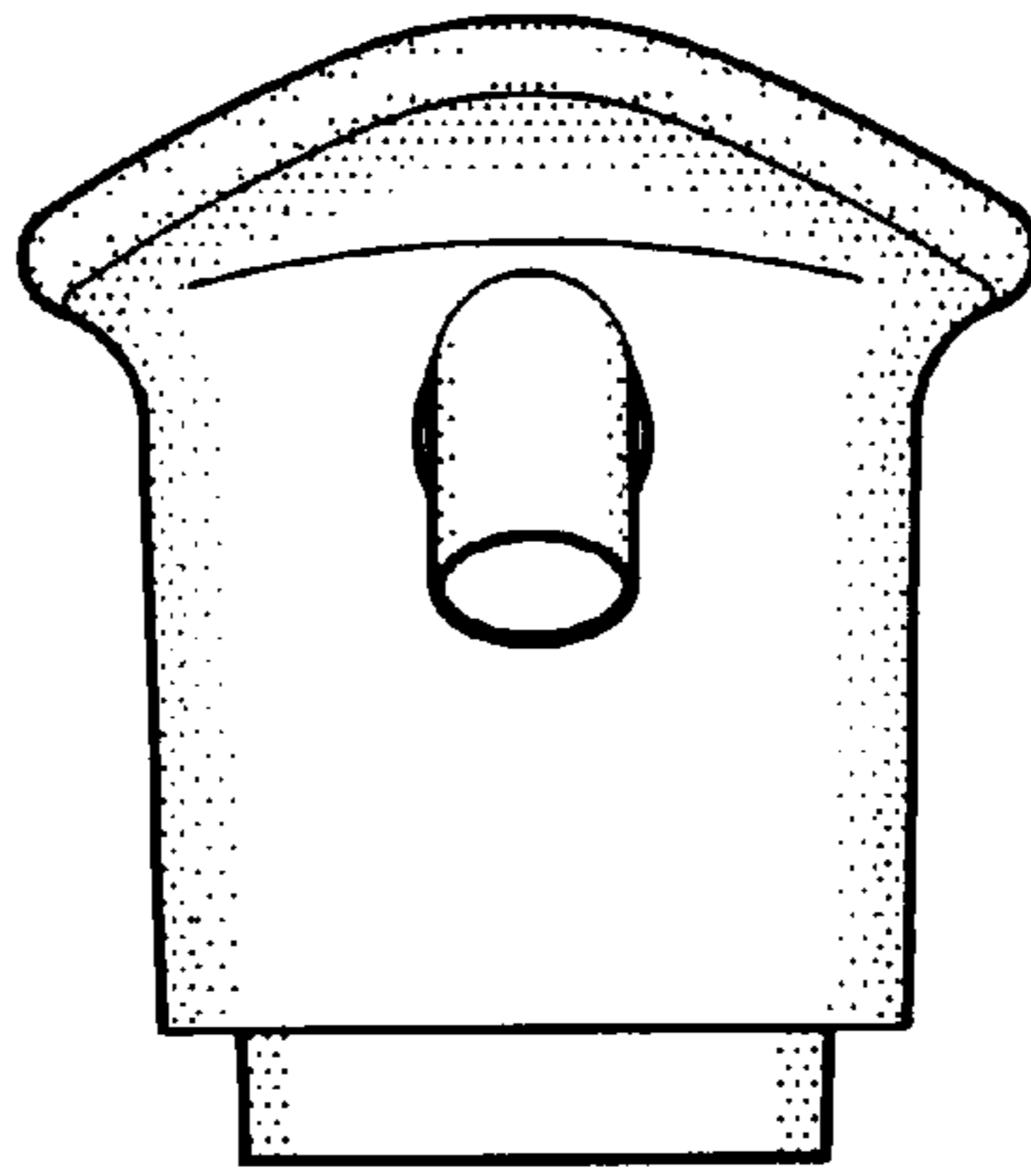


FIG. 4

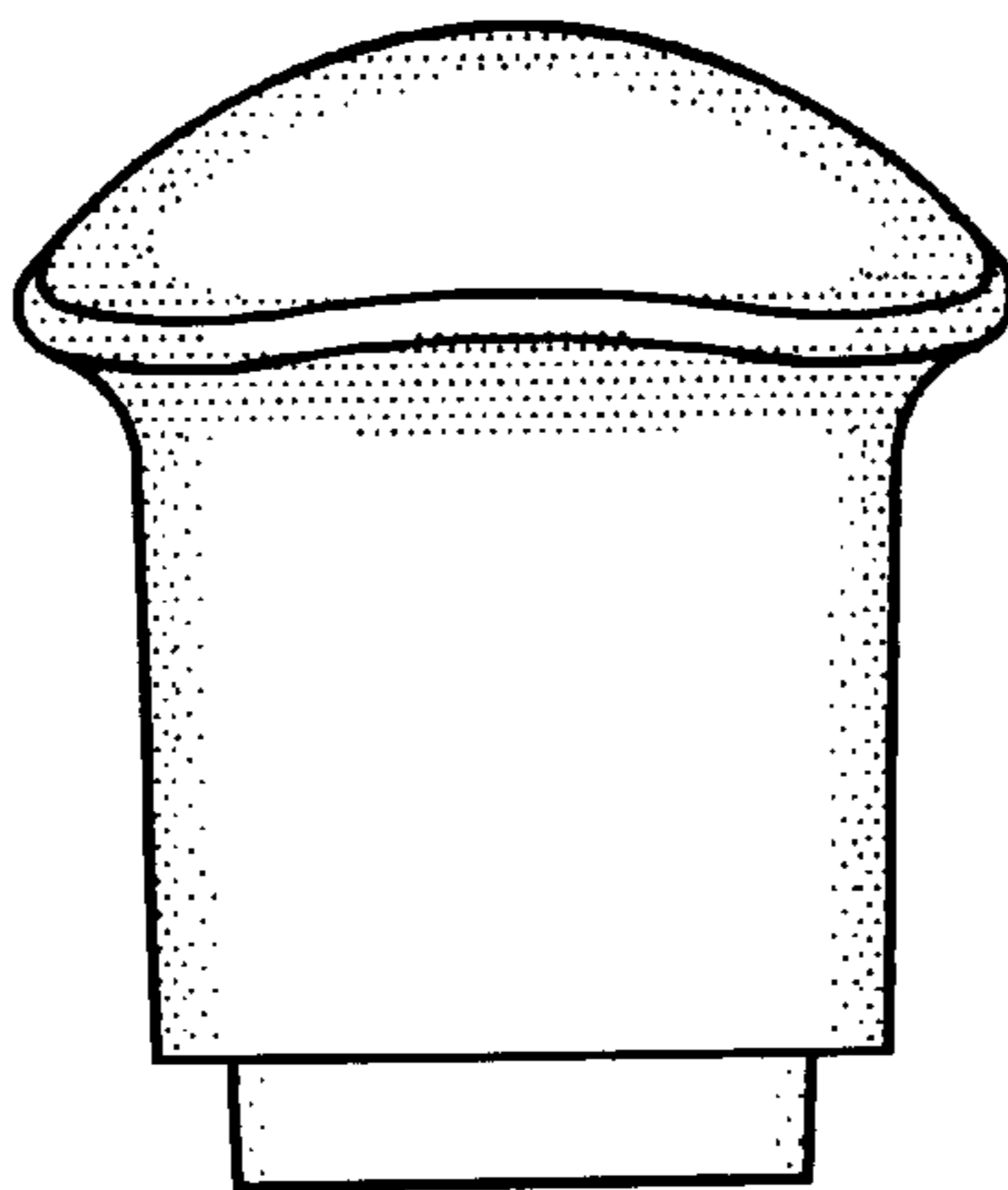


FIG. 5

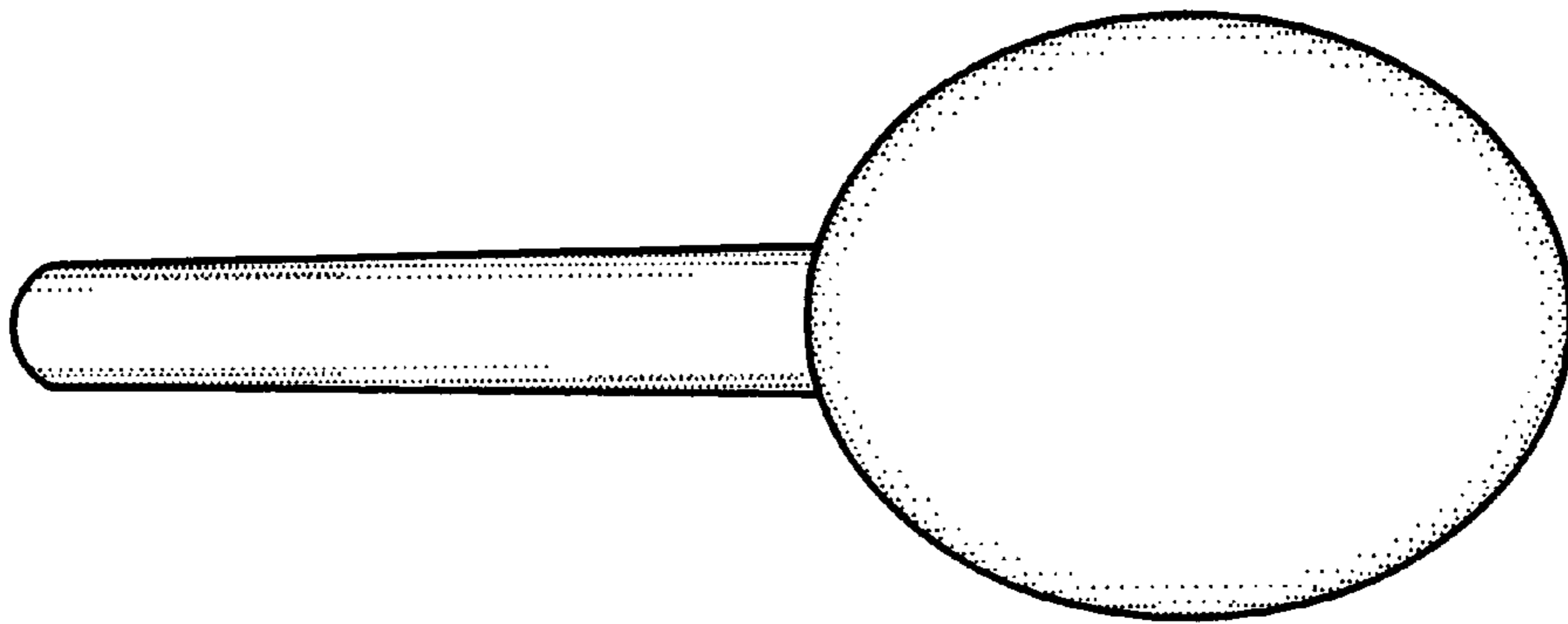


FIG. 6

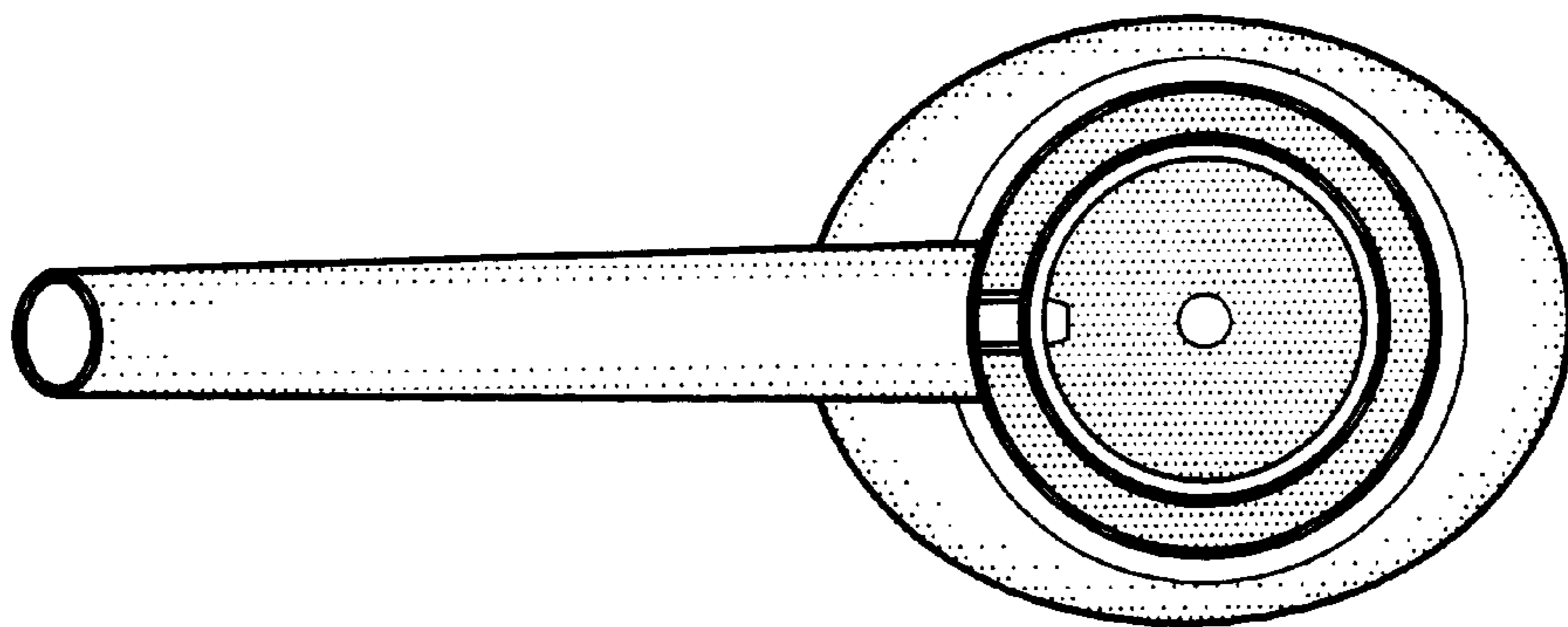


FIG. 7

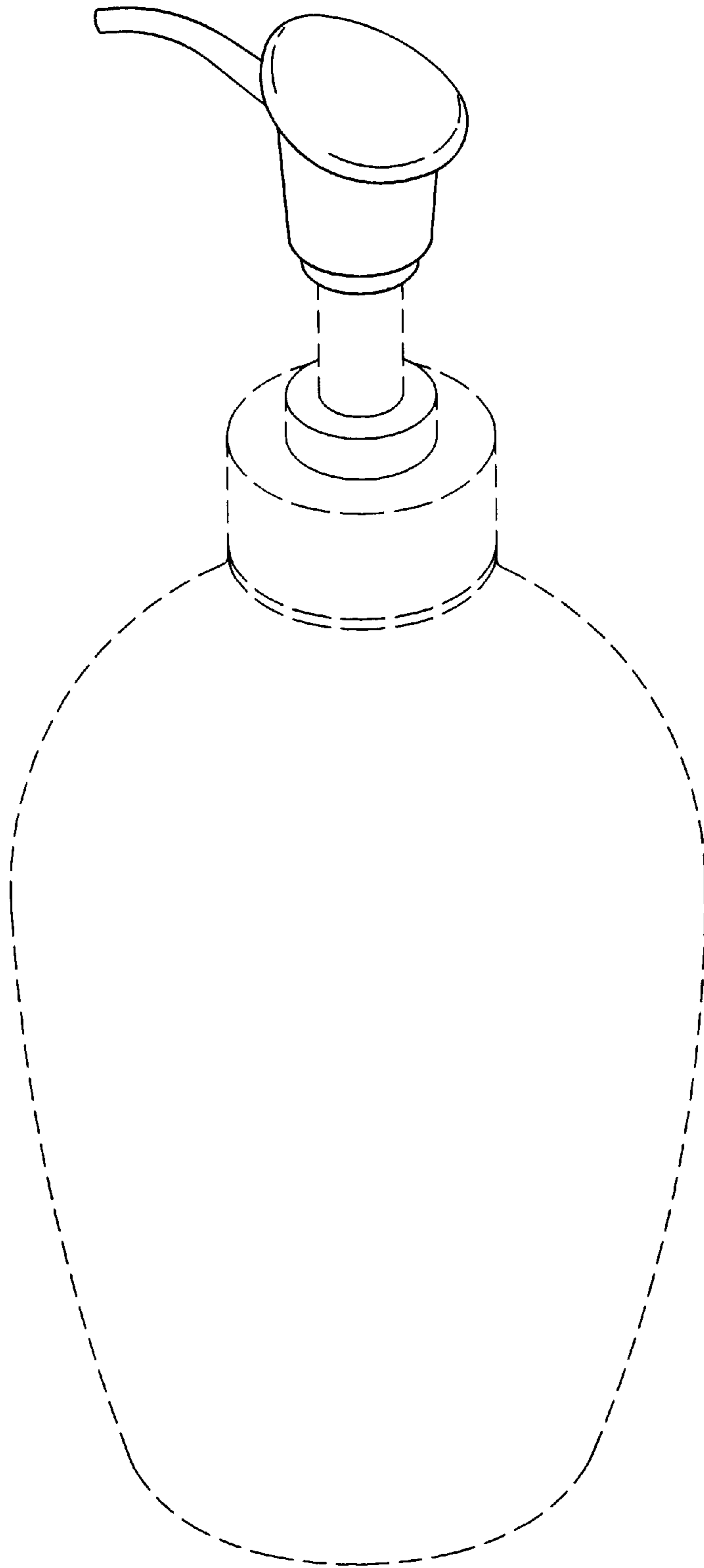


FIG. 8