



US00D459653S

(12) **United States Design Patent**
Marks et al.

(10) **Patent No.:** **US D459,653 S**

(45) **Date of Patent:** **** Jul. 2, 2002**

(54) **BUNG FOR SEALING A CONTAINER**

D444,065 S * 6/2001 Crawford et al. D9/439

(76) Inventors: **Robin Marks**, 548 Hill St., San Luis Obispo, CA (US) 93405; **Greg Scott Powell**, 1509 Wade Dr., Paso Robles, CA (US) 93446

(**) Term: **14 Years**

(21) Appl. No.: **29/141,345**

(22) Filed: **May 2, 2001**

(51) **LOC (7) Cl.** **09-07**

(52) **U.S. Cl.** **D9/439**

(58) **Field of Search** D9/434, 439; D34/39; 220/254; 217/98, 110, 111; 225/544, 563

(56) **References Cited**

U.S. PATENT DOCUMENTS

D27,780 S	*	10/1897	Estes	D9/439
778,974 A	*	1/1905	Jackson	217/110
D188,471 S	*	7/1960	Terwilliger	D9/439
D195,372 S	*	6/1963	Worsley	D9/439
D240,022 S	*	5/1976	Laurizio	D9/439
4,572,390 A	*	2/1986	Grittmann	D17/98
D328,033 S	*	7/1992	Di Guiseppi	D9/439
5,702,018 A		12/1997	Montgomery		
D407,016 S	*	3/1999	Nastasia	D9/439
5,947,326 A		9/1999	O'Hem et al.		
D420,589 S	*	2/2000	Baxter	D9/439

OTHER PUBLICATIONS

The Breathing Bung by Firm-Rite, Inc. [online]. Retrieved from the internet: URL:www.firm-rite.com. Mar. 17, 2001.
Alasco-Barrel Bungs [online] Alasco.Rubber & Plastics Corp. Retrieved from the internet: URL:www.alasco.com/bungs.htm Feb. 7, 2001.

* cited by examiner

Primary Examiner—Dominic Simone

(74) *Attorney, Agent, or Firm*—Lyon & Lyon LLP

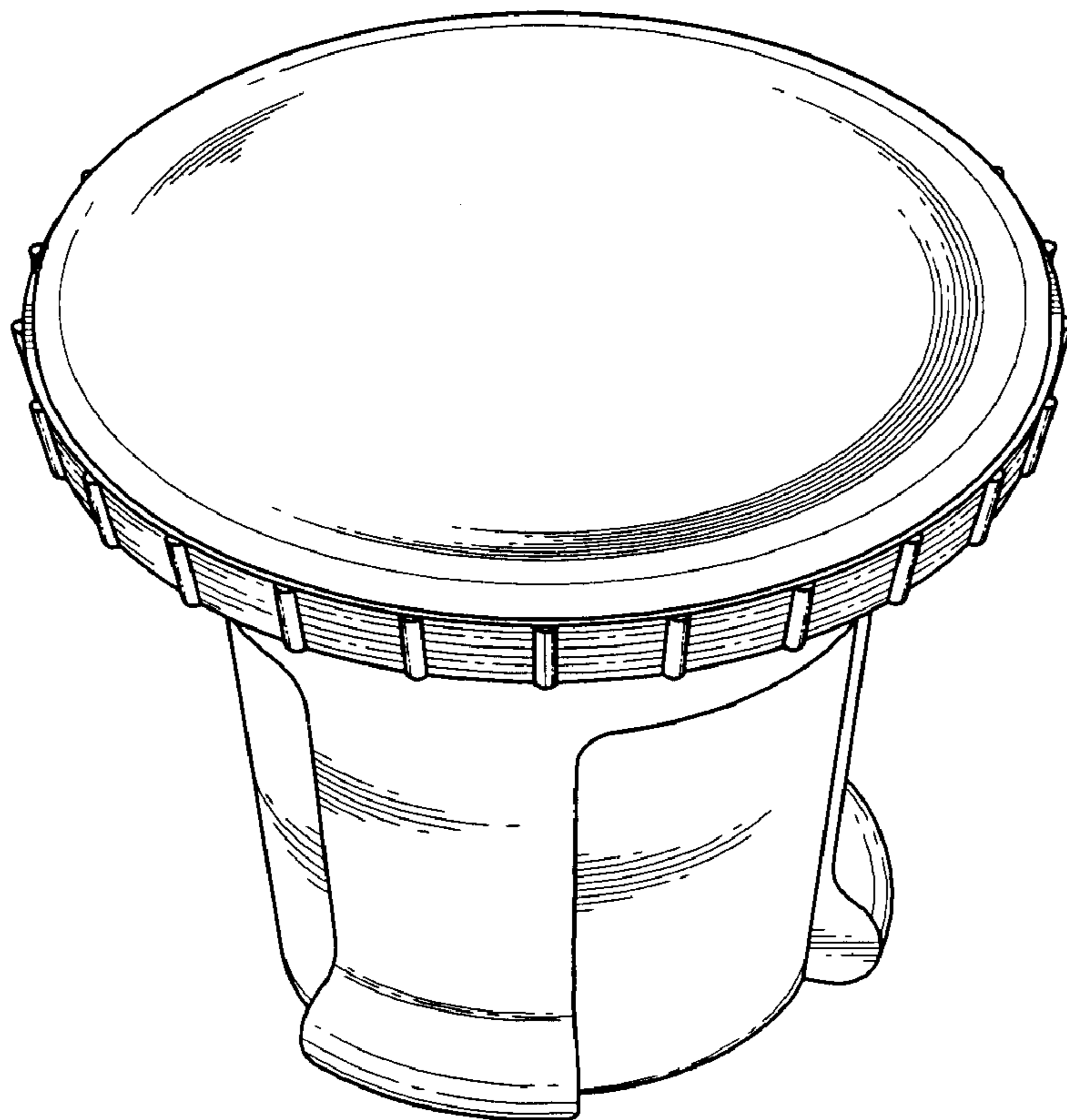
(57) **CLAIM**

The ornamental design for a bung for sealing a container, as shown and described.

DESCRIPTION

FIG. 1 is a perspective view of the bung.
FIG. 2 is a side view of the bung.
FIG. 3 is a top view of the bung.
FIG. 4 is another side view of the bung, illustrating the spacing of the integrated vent columns.
FIG. 5 is a bottom view of the bung.
FIG. 6 is a sectional view of the bung, illustrating the molded inner core; and,
FIG. 7 is a side view of the molded inner core.

1 Claim, 3 Drawing Sheets



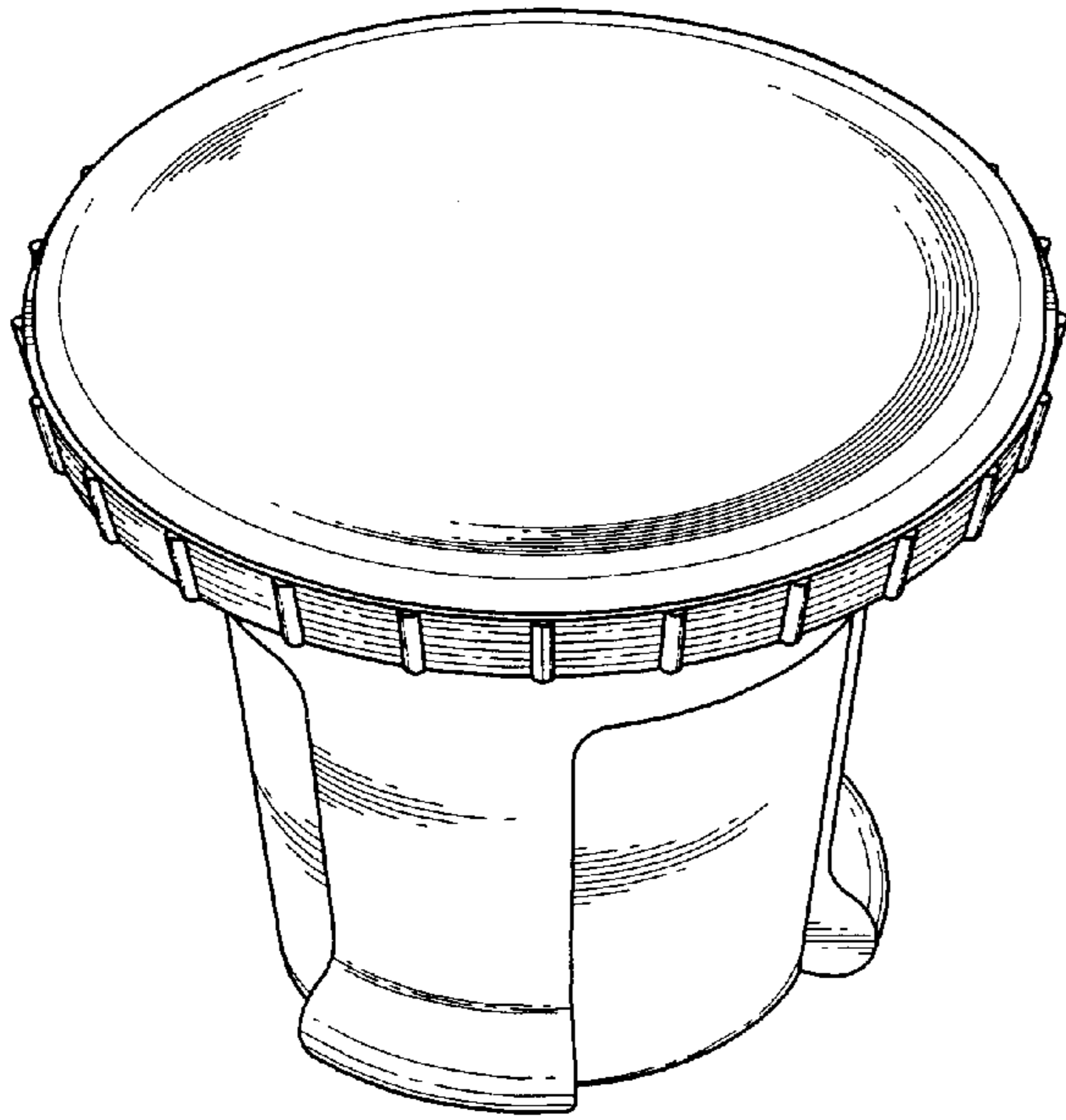


FIG. 1

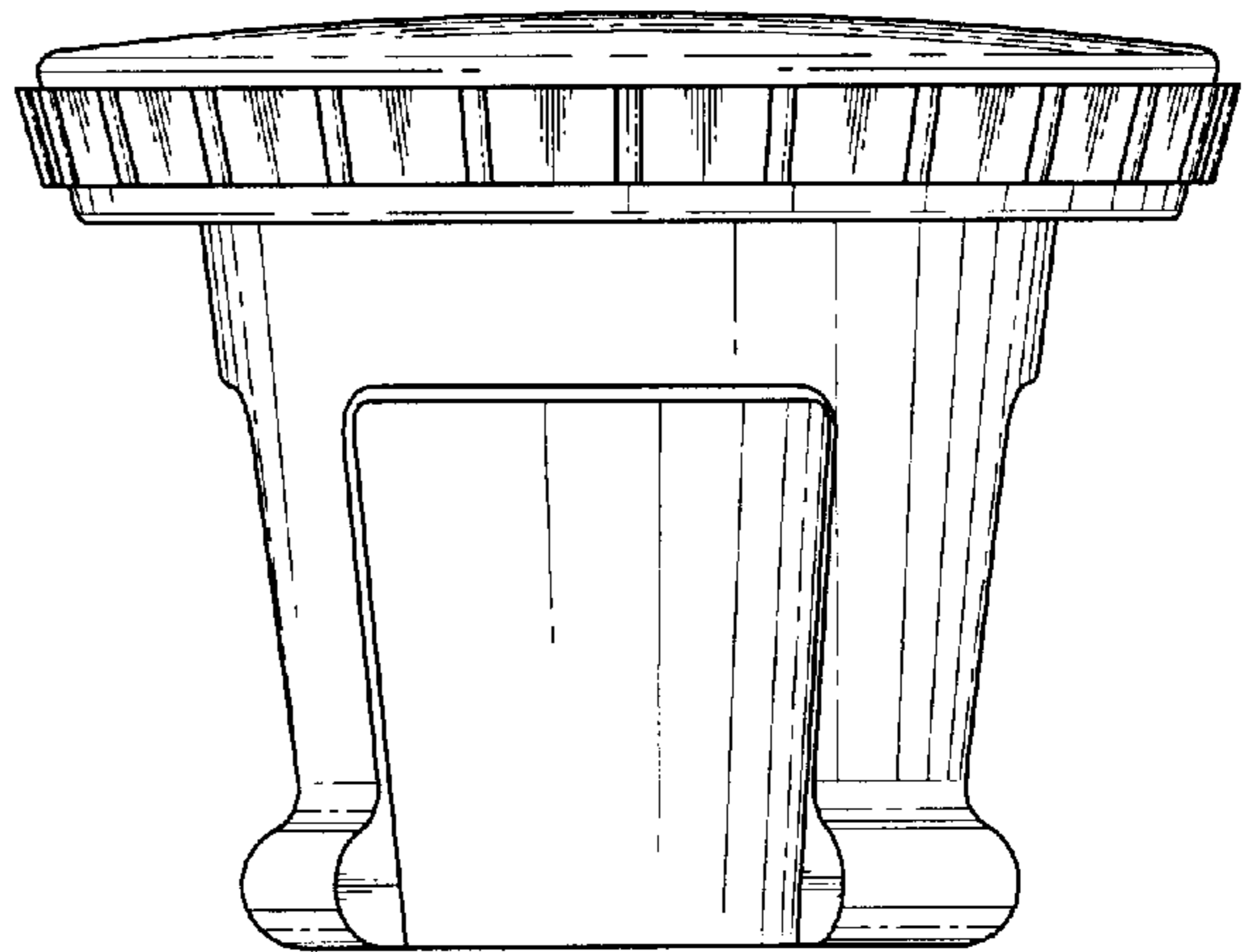


FIG. 2

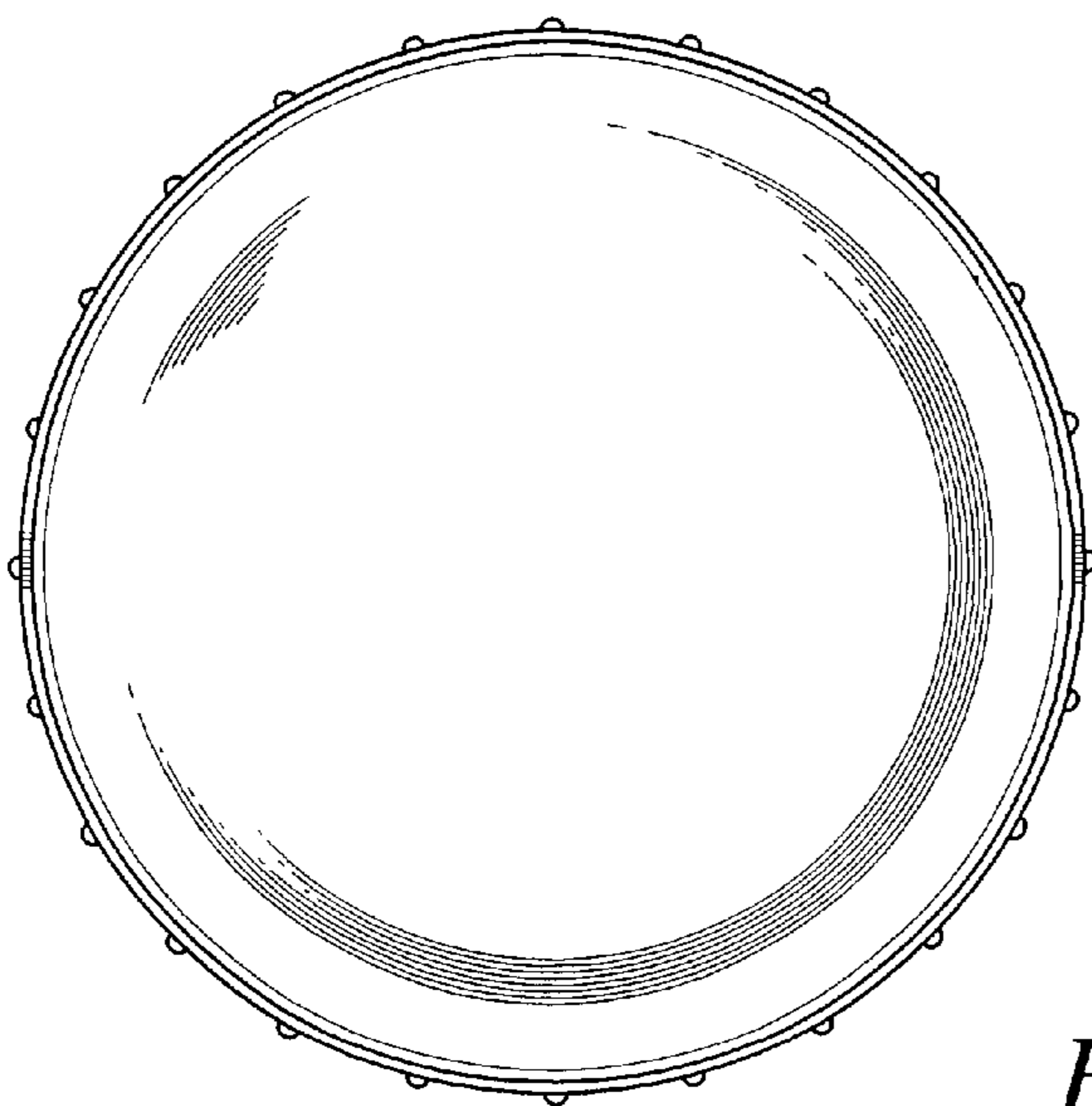


FIG. 3

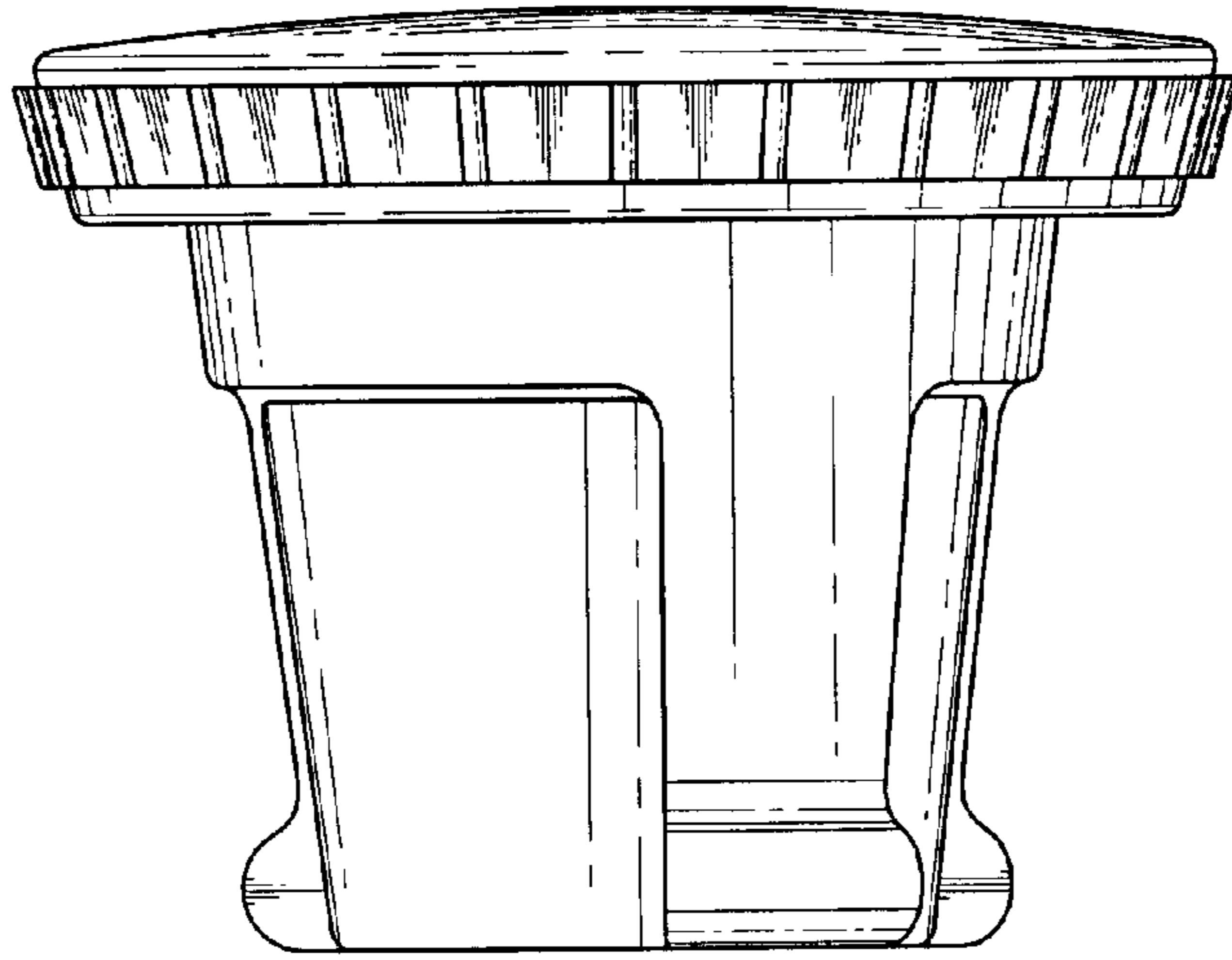


FIG. 4

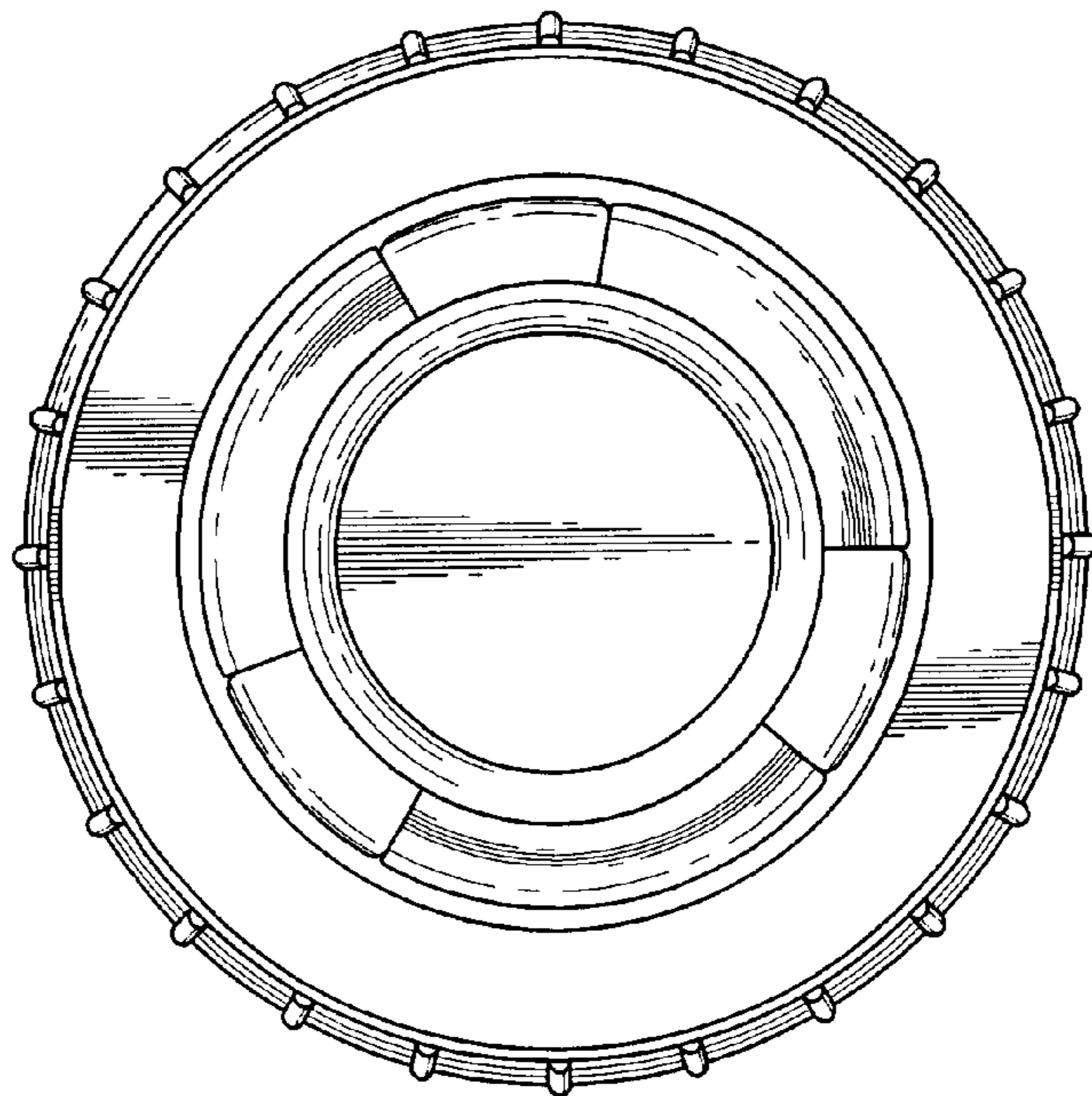


FIG. 5

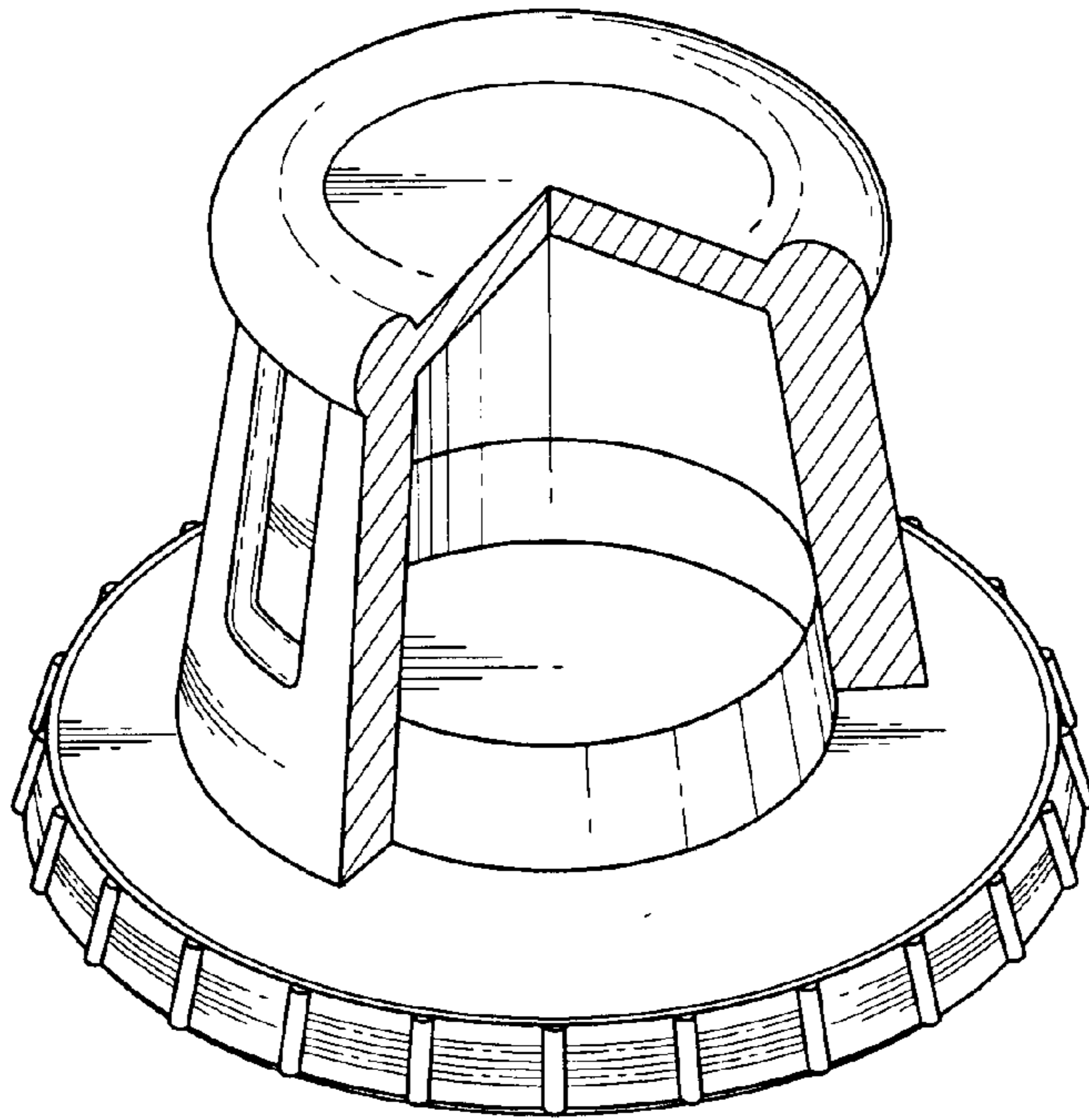


FIG. 6

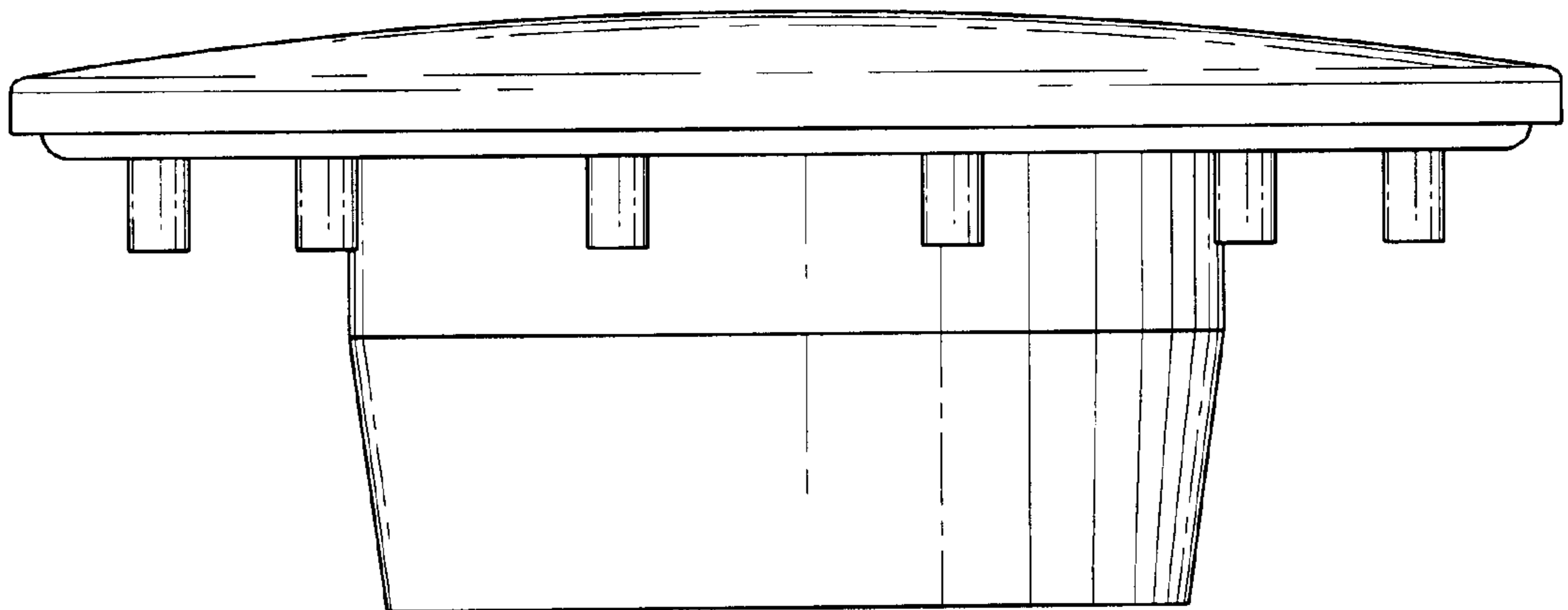


FIG. 7